



US00D375300S

United States Patent [19]

Wu

[11] Patent Number: **Des. 375,300**

[45] Date of Patent: ****Nov. 5, 1996**

[54] **POINTER**

D. 361,759 8/1995 Paull et al. D14/114

[76] Inventor: **Chun K. Wu**, 14F-1, No. 1, Bao Sheng Road, Yuan Ho City, Taipei Hsien, Taiwan

Primary Examiner—Freda Nunn
Attorney, Agent, or Firm—Pro-Techt International

[**] Term: **14 Years**

[57] **CLAIM**

The ornamental design for a pointer, as shown and described.

[21] Appl. No.: **41,192**

[22] Filed: **Jul. 7, 1995**

[52] U.S. Cl. **D14/114**

[58] Field of Search D14/100, 114;
D21/13, 48; D13/168; 74/471 XY; 178/18,
19; 200/5 A, 5 R, 6 A, 6 R; 273/148 B;
345/156-167; 250/221

DESCRIPTION

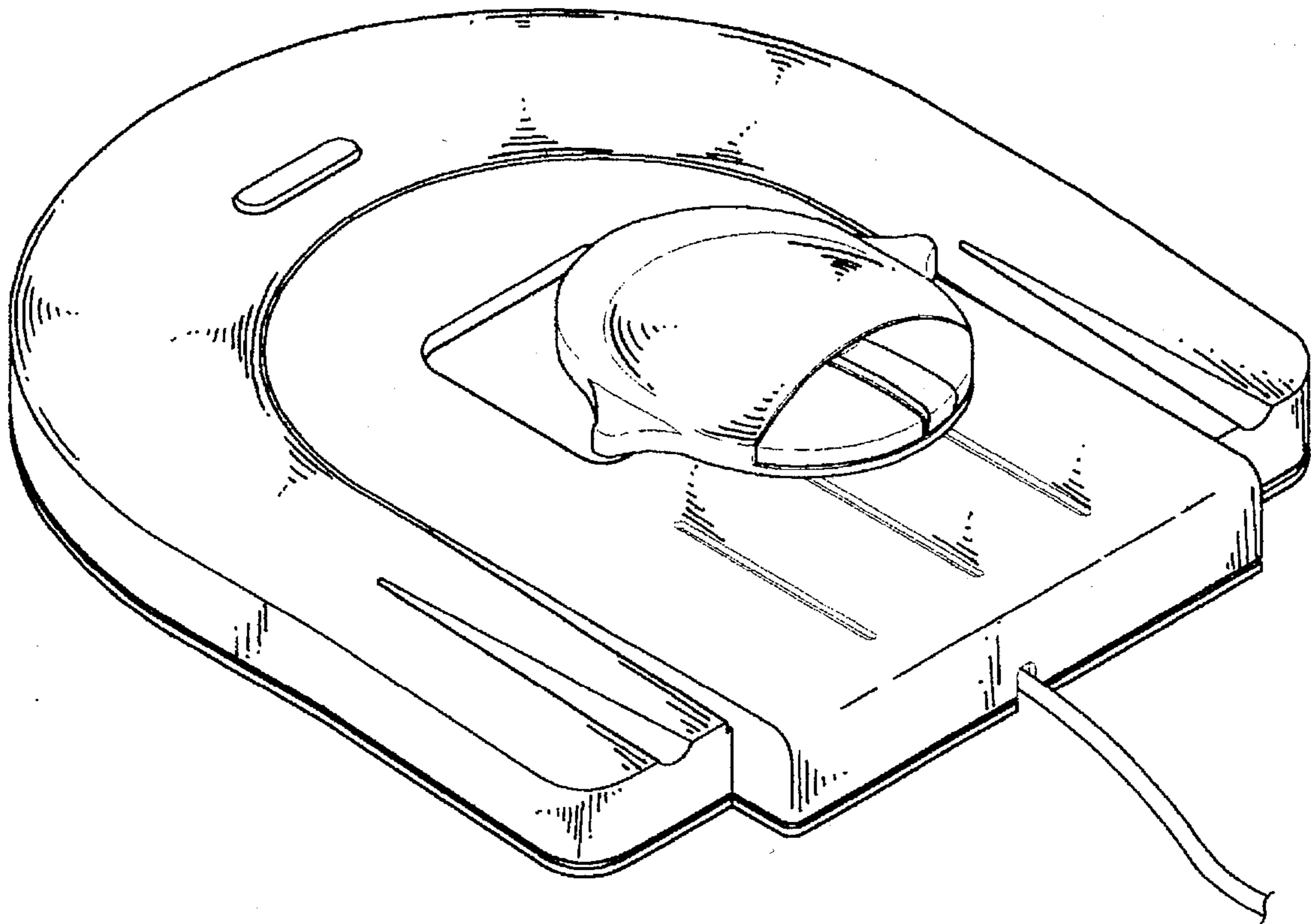
FIG. 1 is a right rear perspective view of a pointer showing my design;
FIG. 2 is a rear elevation view thereof;
FIG. 3 is a front elevation view thereof;
FIG. 4 is a right side elevation view thereof;
FIG. 5 is a left side elevation view thereof; and
FIG. 6 is a top plan view thereof; and,
FIG. 7 is a bottom plan view thereof.
The cord is shown broken in the views to indicate an indeterminate length.

[56] **References Cited**

U.S. PATENT DOCUMENTS

- D. 342,241 12/1993 Ashmun et al. D14/114
- D. 353,370 12/1994 Ashmun et al. D14/114
- D. 355,899 2/1995 Paull et al. D14/114
- D. 356,788 3/1995 Mizusugi et al. D14/114

1 Claim, 5 Drawing Sheets



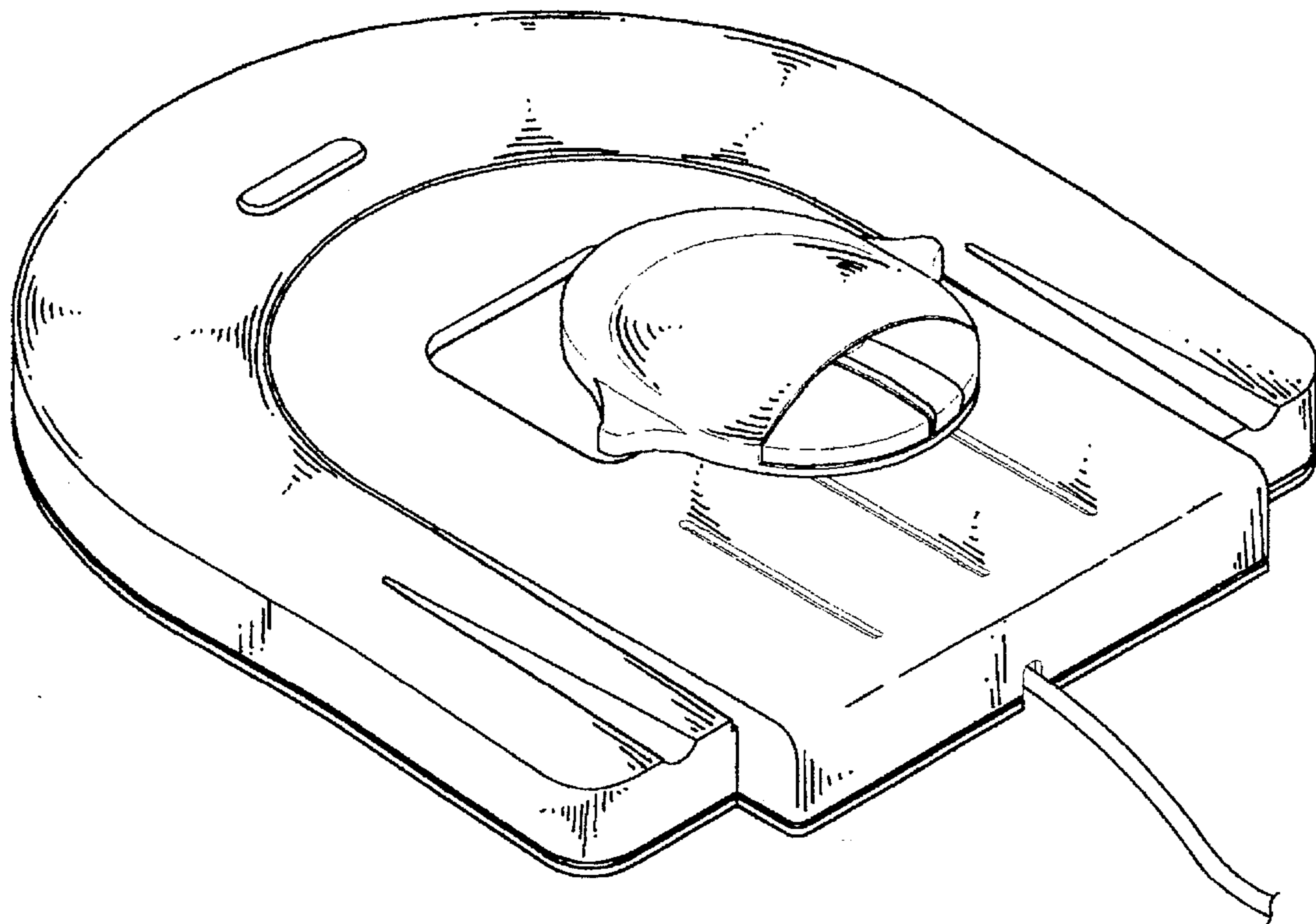


FIG. 1

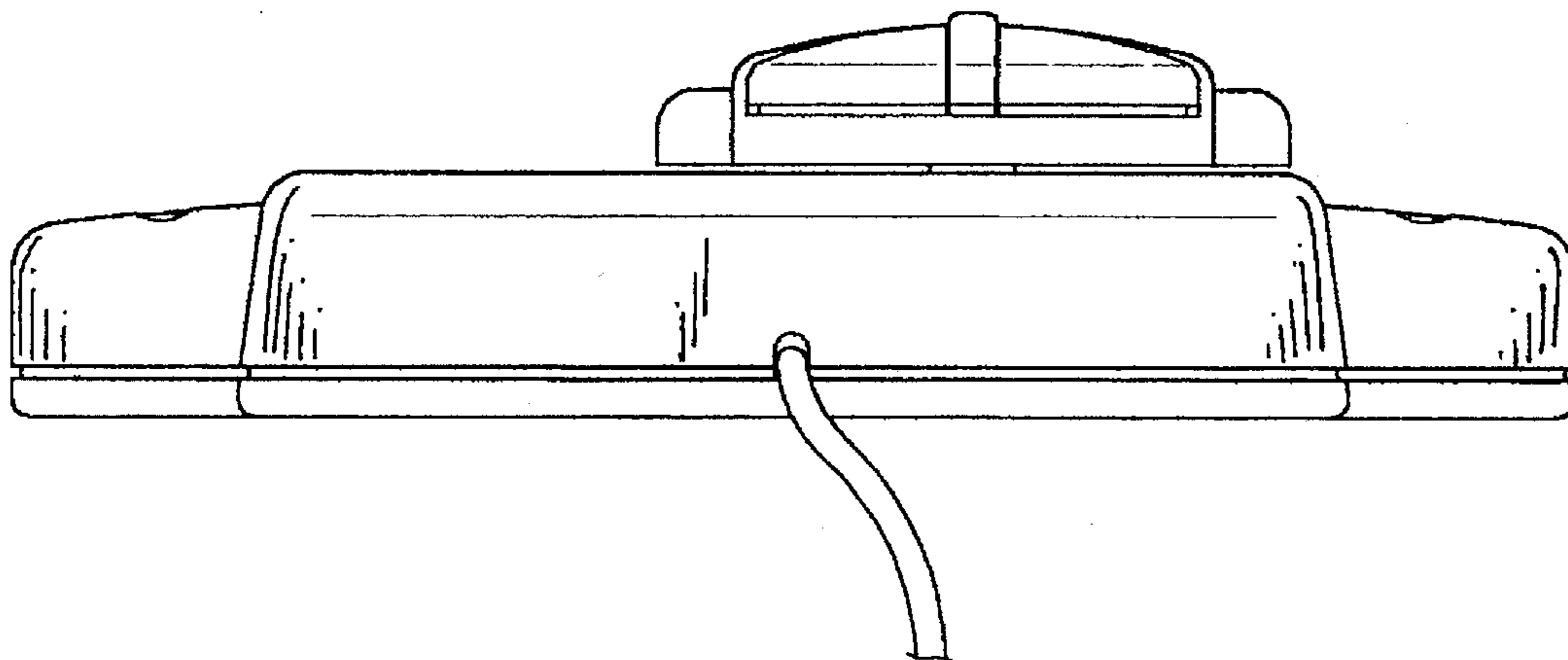


FIG. 2

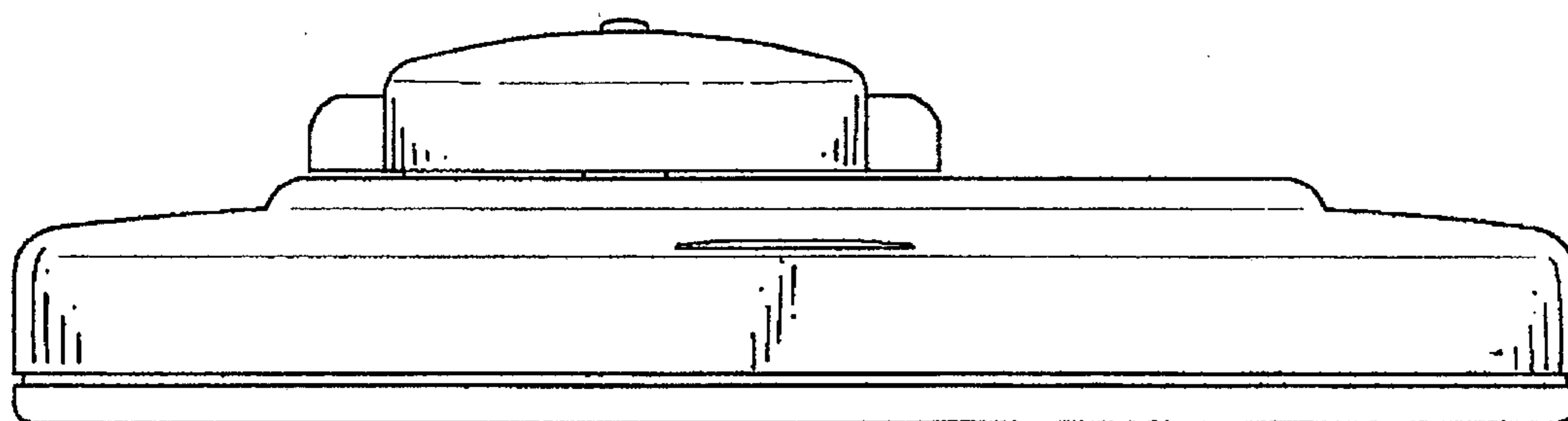


FIG. 3

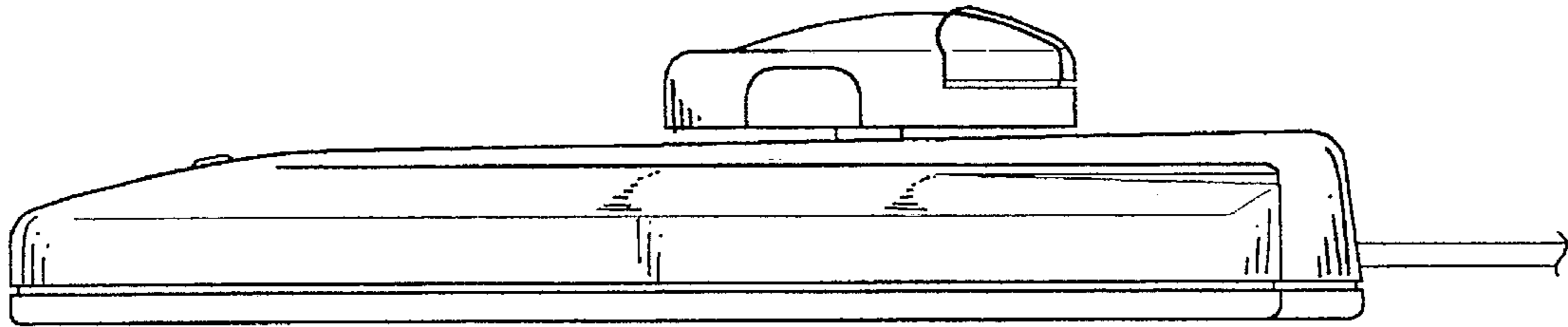


FIG. 4

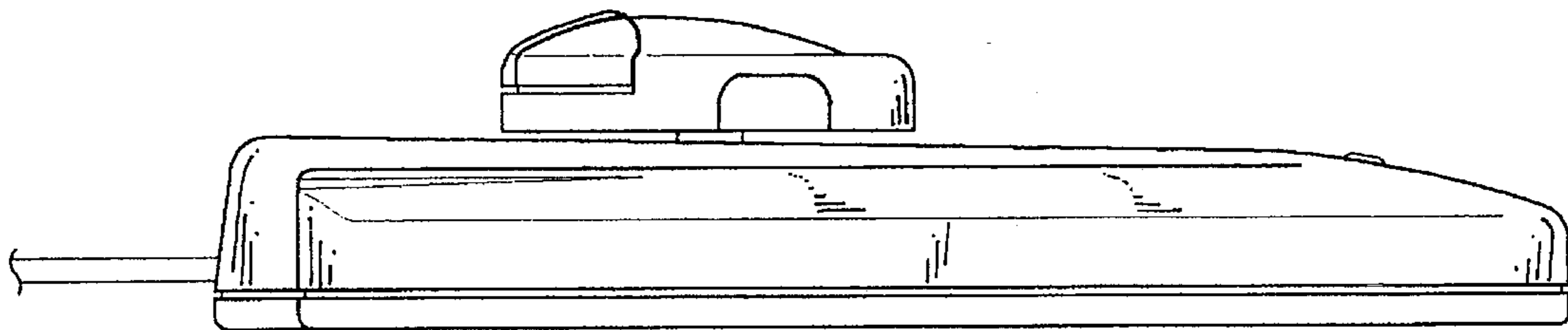


FIG. 5

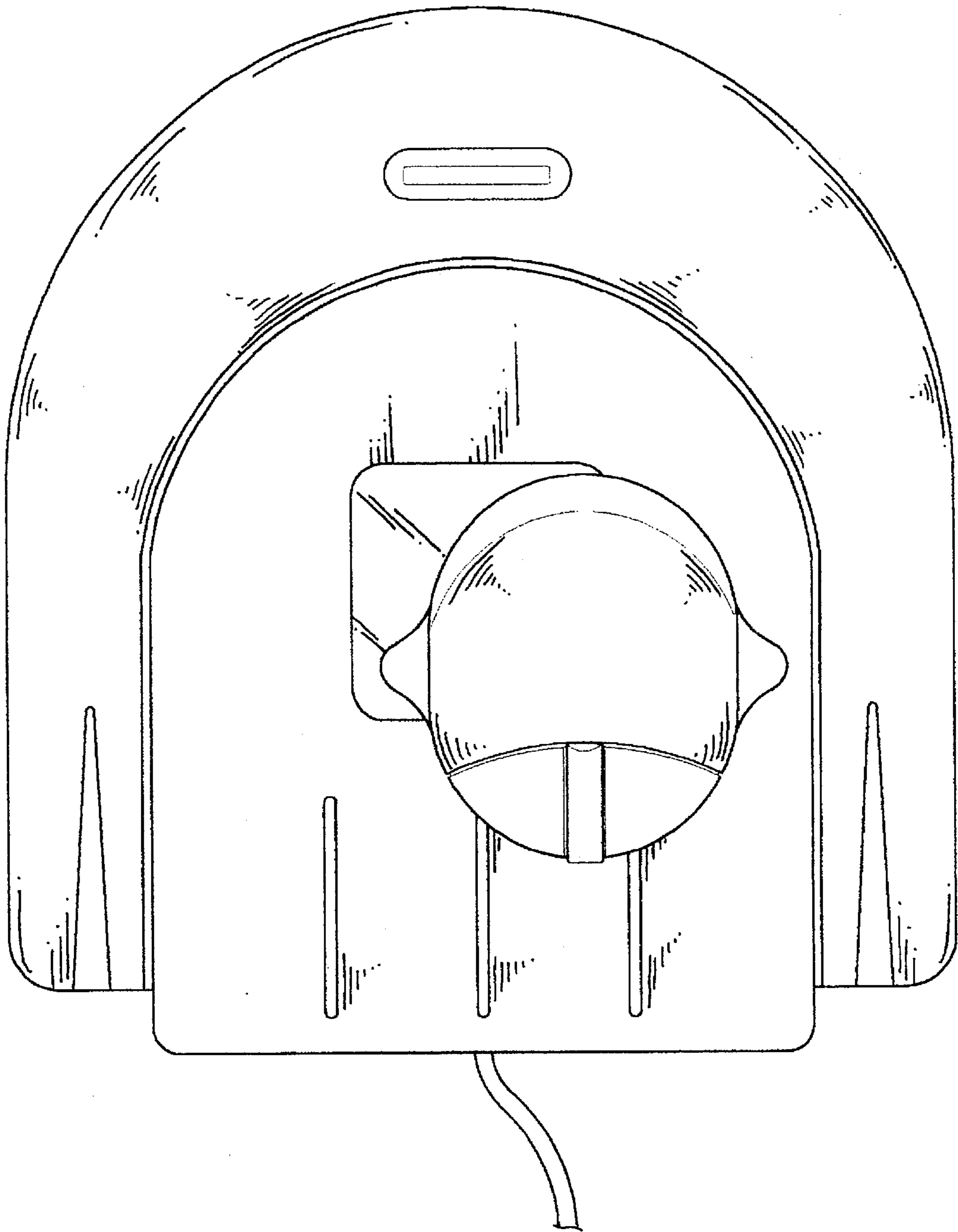


FIG. 6

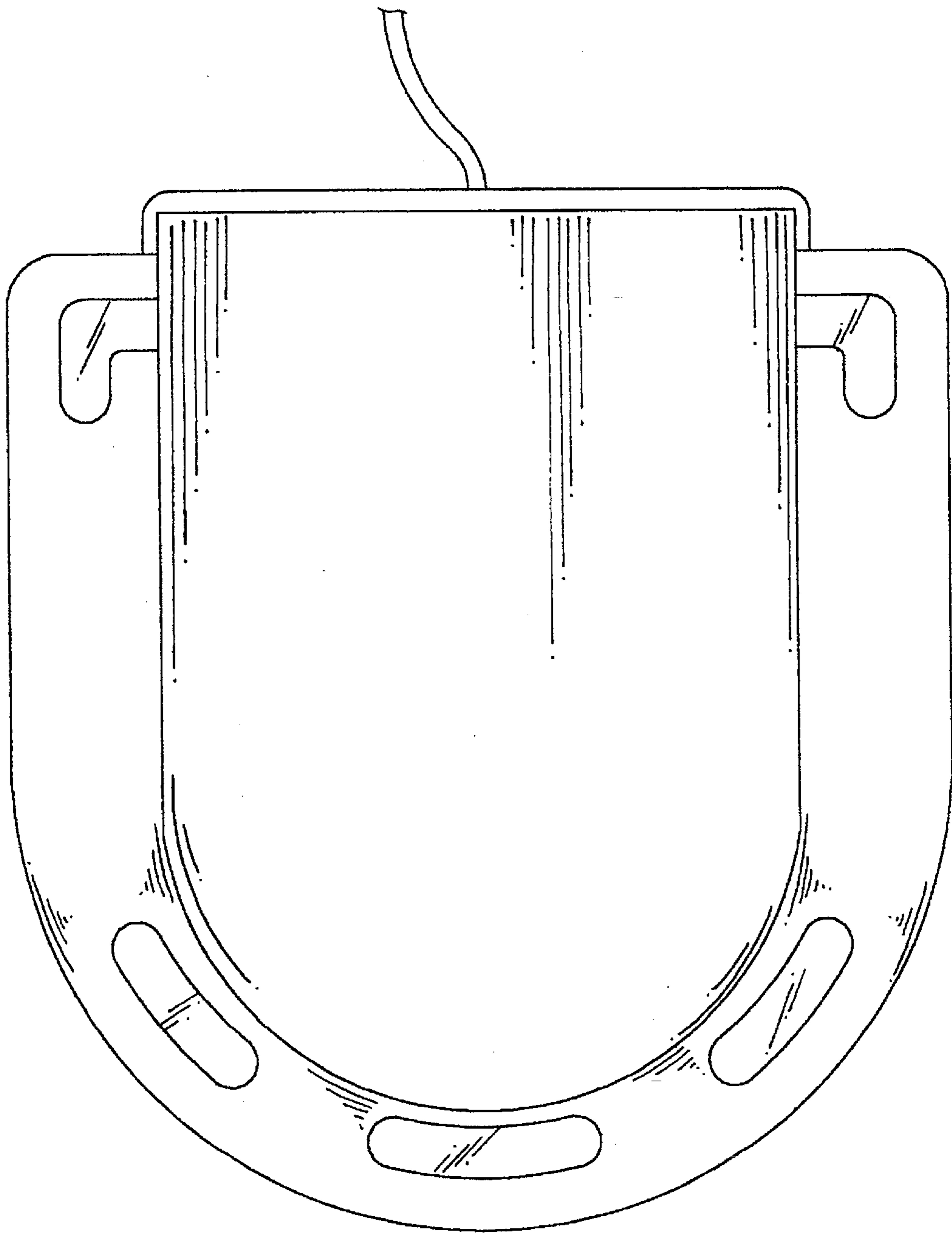


FIG. 7