



US00D375299S

United States Patent [19]

Fekete et al.

[11] Patent Number: **Des. 375,299**

[45] Date of Patent: ****Nov. 5, 1996**

[54] **CONNECTOR FOR AN ELECTRONIC TOKEN**

5,049,728 9/1991 Revin 235/492
5,091,771 2/1992 Bolan et al. 235/492 X

[75] Inventors: **Nicholas M. G. Fekete**, Richardson;
Elaine J. Gattenby, Allen; **Michael L. Bolan**, Dallas, all of Tex.

Primary Examiner—M. H. Tung
Attorney, Agent, or Firm—Jenkins & Gilchrist, P.C.

[73] Assignee: **Dallas Semiconductor Corporation**,
Dallas, Tex.

[57] **CLAIM**

The ornamental design for connector for an electronic token,
as shown and described.

[**] Term: **14 Years**

DESCRIPTION

[21] Appl. No.: **31,607**

FIG. 1 is a front view of a connector for an electronic token,
on an enlarged scale, the rear view is a mirror image;
FIG. 2 is a side view of a connector for an electronic token,
on an enlarged scale, the opposite side view is a mirror
image;
FIG. 3 is a top view of the connector for an electronic token
on an enlarged scale;
FIG. 4 is a bottom view of the connector for an electronic
token on an enlarged scale;
FIG. 5 is a perspective view of the top of the connector for
an electronic token; and,
FIG. 6 is a perspective view of the bottom of the connector
for an electronic token.

[22] Filed: **Dec. 1, 1994**

[52] U.S. Cl. **D14/114**

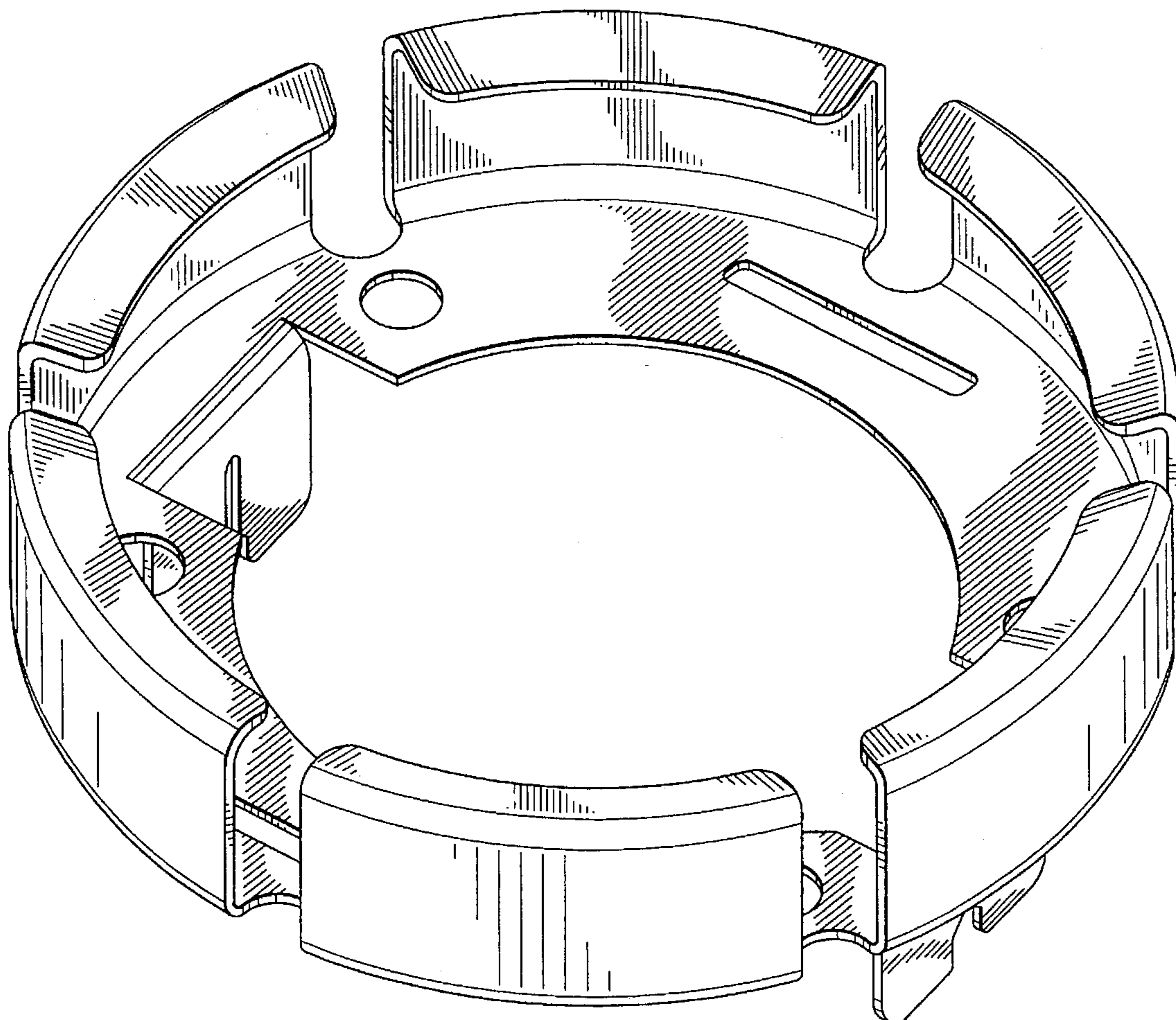
[58] Field of Search D14/114; D13/133,
D13/146-7; 235/487-92; 194/205; D8/373,
380; 361/728-33

[56] **References Cited**

U.S. PATENT DOCUMENTS

D. 234,211	1/1975	Stubbman	D21/51
D. 284,576	7/1986	Beckon	D8/373 X
D. 296,299	6/1988	Bussell	D8/373
4,969,549	11/1990	Eglise	194/205

1 Claim, 3 Drawing Sheets



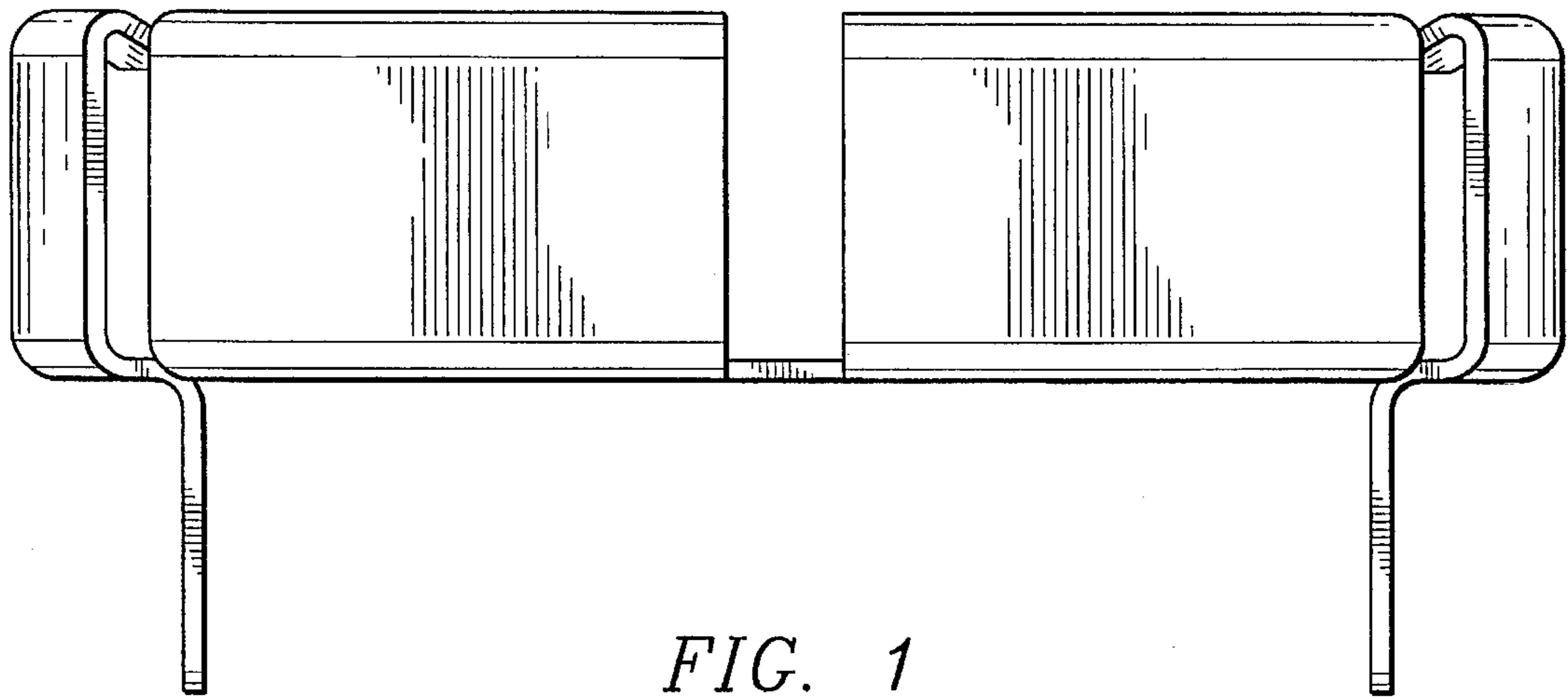


FIG. 1

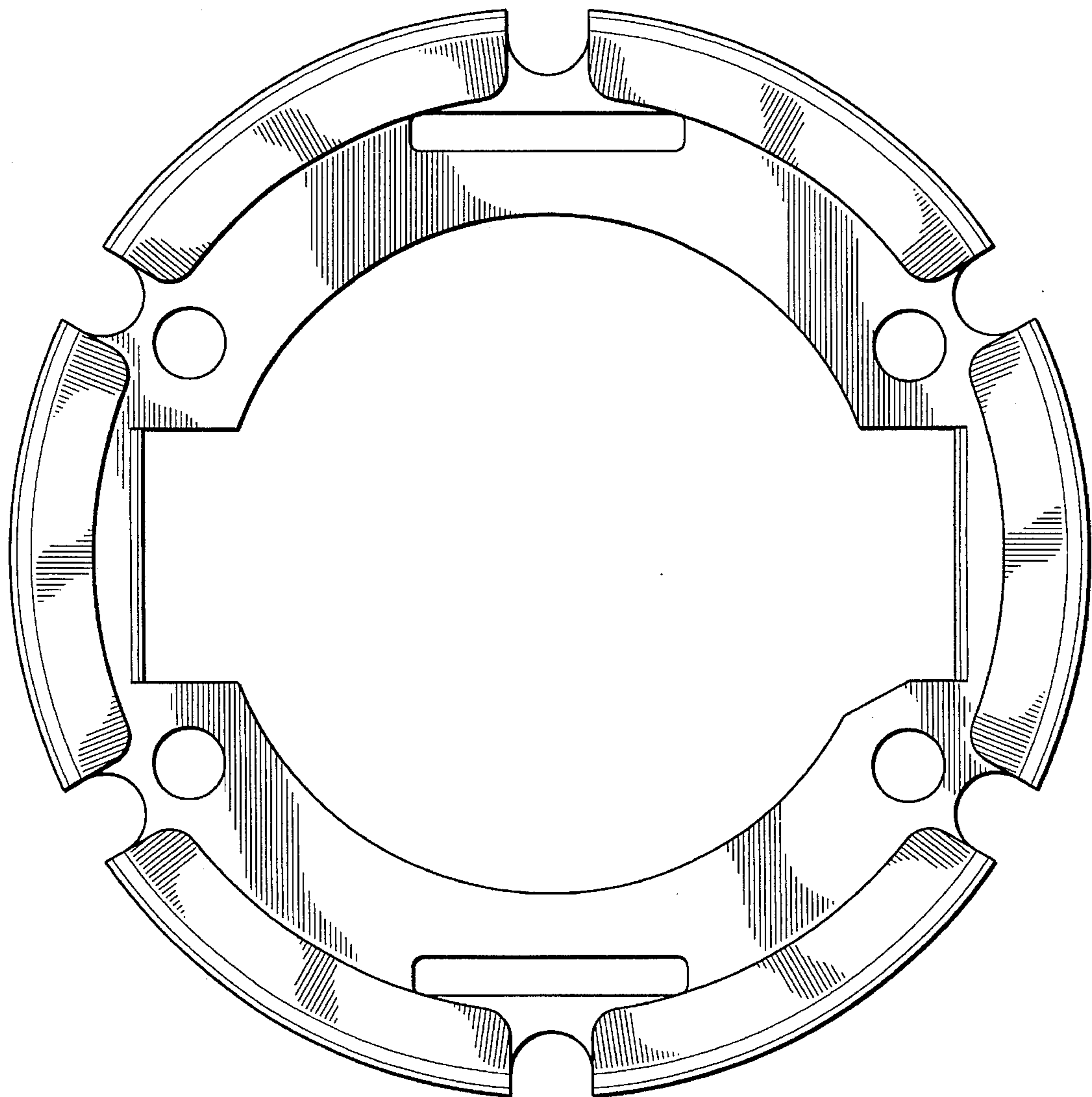


FIG. 3

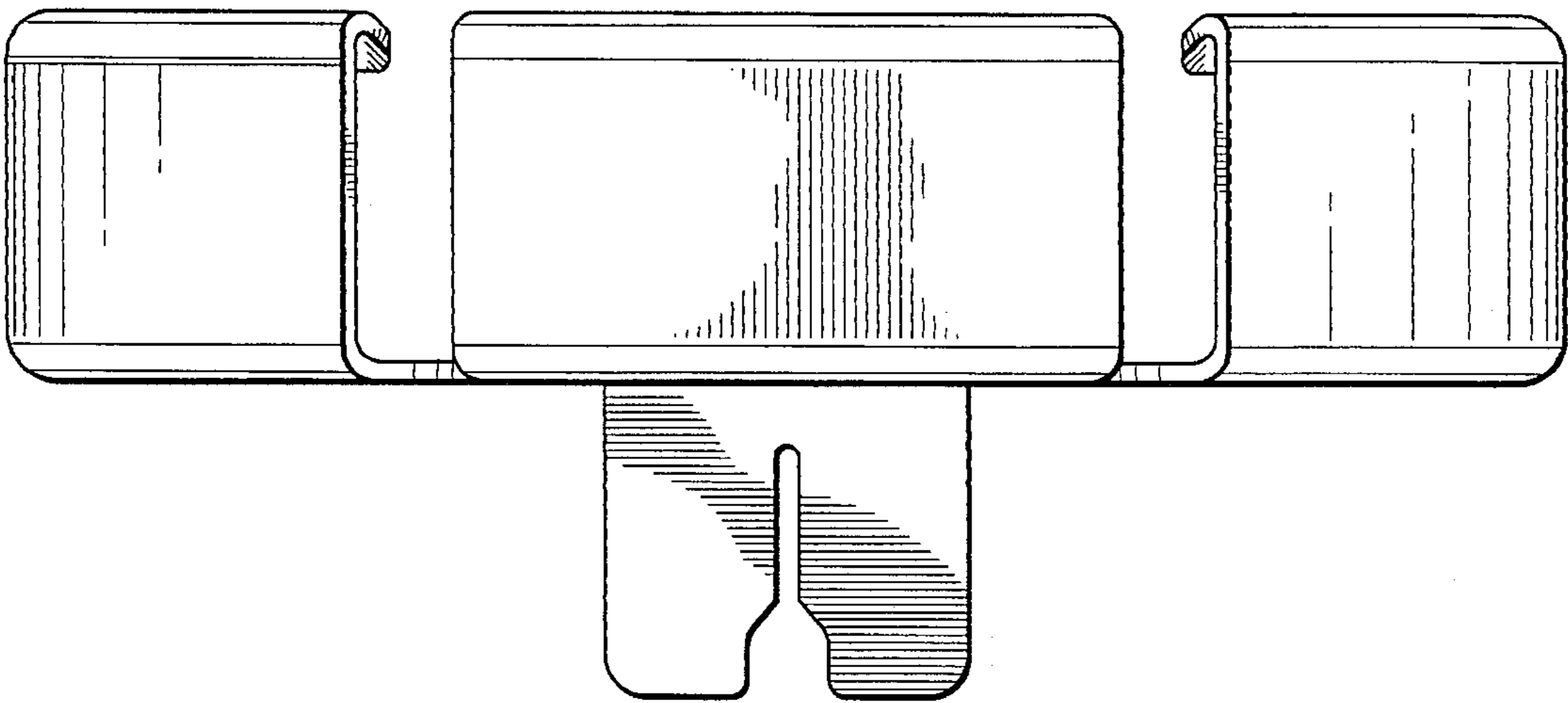


FIG. 2

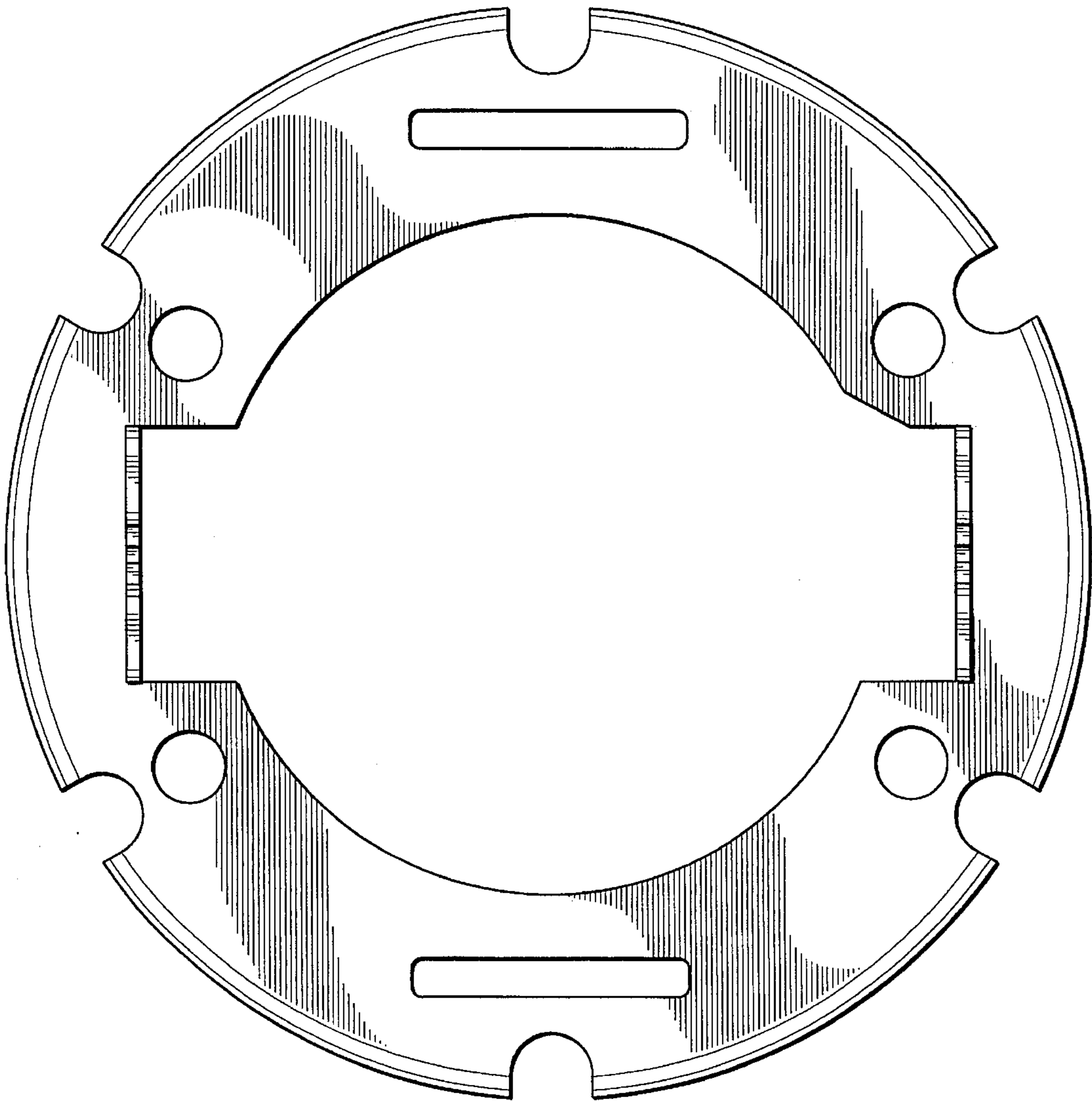


FIG. 4

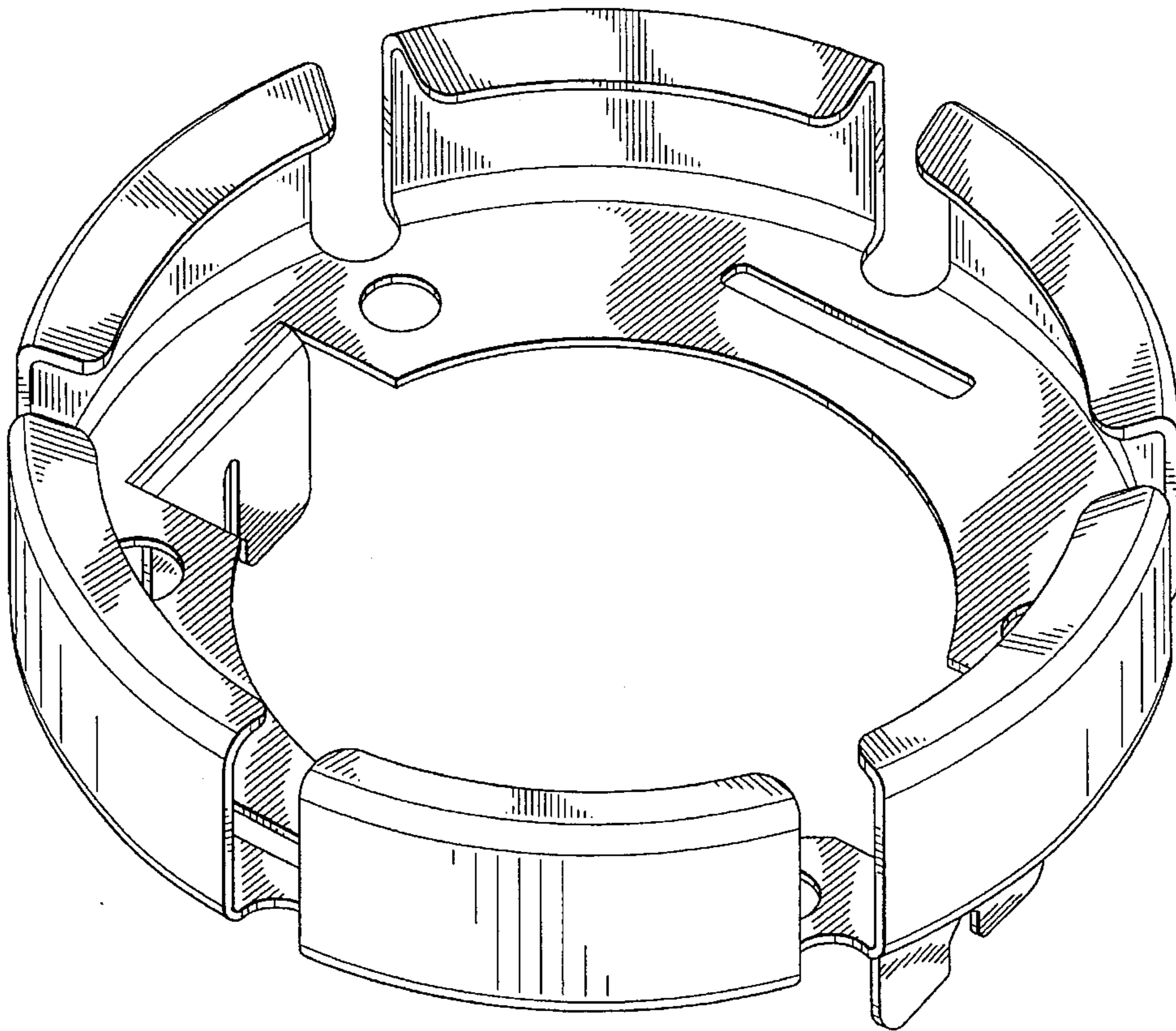


FIG. 5

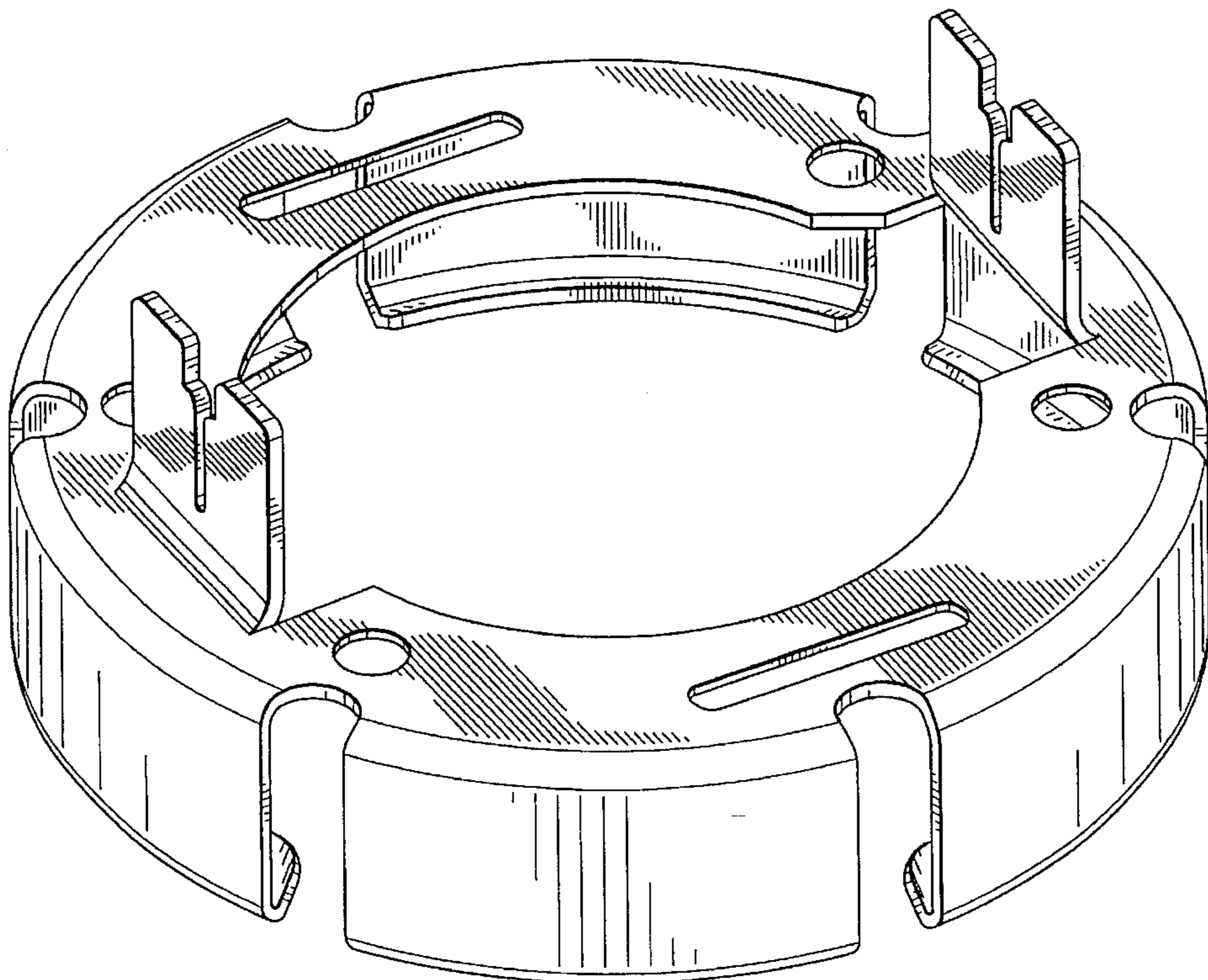


FIG. 6