



US00D375297S

United States Patent [19]

Casarez et al.

[11] Patent Number: **Des. 375,297**

[45] Date of Patent: ****Nov. 5, 1996**

[54] **LOCAL AREA NETWORK WIRELESS DEVICE**

[75] Inventors: **Theresa L. Casarez**, San Carlos; **Mark Edwards**; **Robin Chu**, both of San Francisco, all of Calif.

[73] Assignee: **Proxim, Inc.**, Mountain View, Calif.

[**] Term: **14 Years**

[21] Appl. No.: **50,716**

[22] Filed: **Feb. 23, 1996**

[52] U.S. Cl. **D14/107**; D14/242

[58] Field of Search D14/100, 107, D14/106, 109, 114, 137, 140, 142, 149, 240, 242, 256, 155, 159; D10/104; D13/184, 199, 162, 164; 361/600, 622, 643, 641, 683-686, 724-728, 694, 696, 658, 673; 379/399, 412, 442, 419, 420, 428, 440; 174/50, 52.1

[56] **References Cited**

U.S. PATENT DOCUMENTS

D. 266,509	10/1982	Marshall	D14/100	X
D. 284,854	7/1986	Vaillant	D14/140	X
D. 319,439	8/1991	Danielson et al.	D14/142	X
D. 346,172	4/1994	Fields et al.	D14/114	X

D. 348,054	6/1994	Minasian et al.	D14/107
D. 351,601	10/1994	Rak	D14/242
D. 353,372	12/1994	Delhaes	D14/149
D. 362,240	9/1995	Heidorn	D14/107
D. 363,722	10/1995	Aldridge et al.	D14/242
D. 368,265	3/1996	Fan	D14/256 X
5,457,600	10/1995	Campbell et al.	361/643

Primary Examiner—Jeffrey Asch
Attorney, Agent, or Firm—Burns, Doane, Swecker & Mathis, L.L.P.

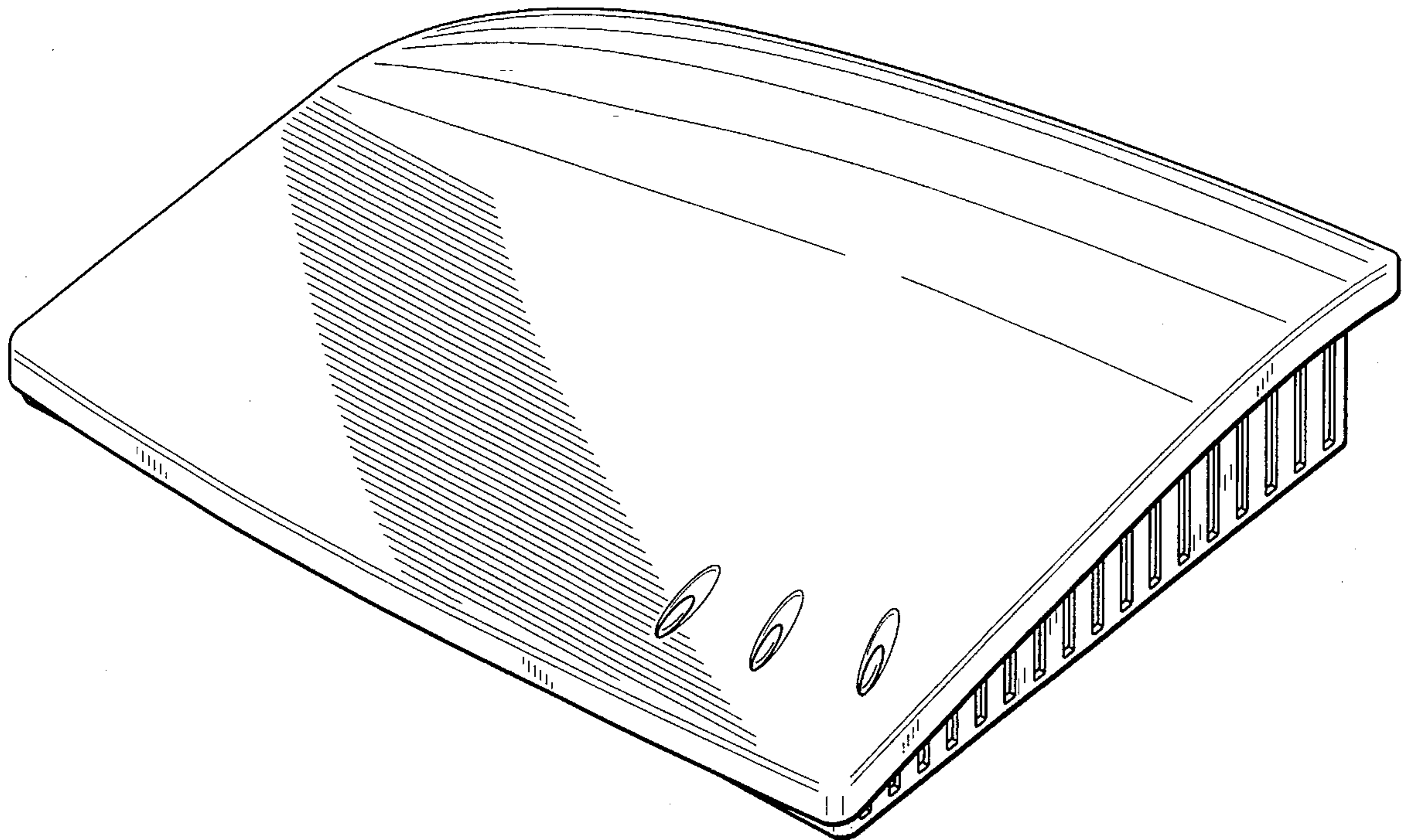
[57] **CLAIM**

The ornamental design for a local area network wireless device, as shown and described.

DESCRIPTION

FIG. 1 is a perspective view as seen from the upper left and front of a local area network wireless device showing our new design;
FIG. 2 is a perspective view as seen from the front and upper right thereof;
FIG. 3 is a front elevational view thereof;
FIG. 4 is a right side elevational view thereof;
FIG. 5 is a rear elevational view thereof;
FIG. 6 is a left side elevational view thereof;
FIG. 7 is a top plan view thereof; and,
FIG. 8 is a bottom plan view thereof.

1 Claim, 5 Drawing Sheets



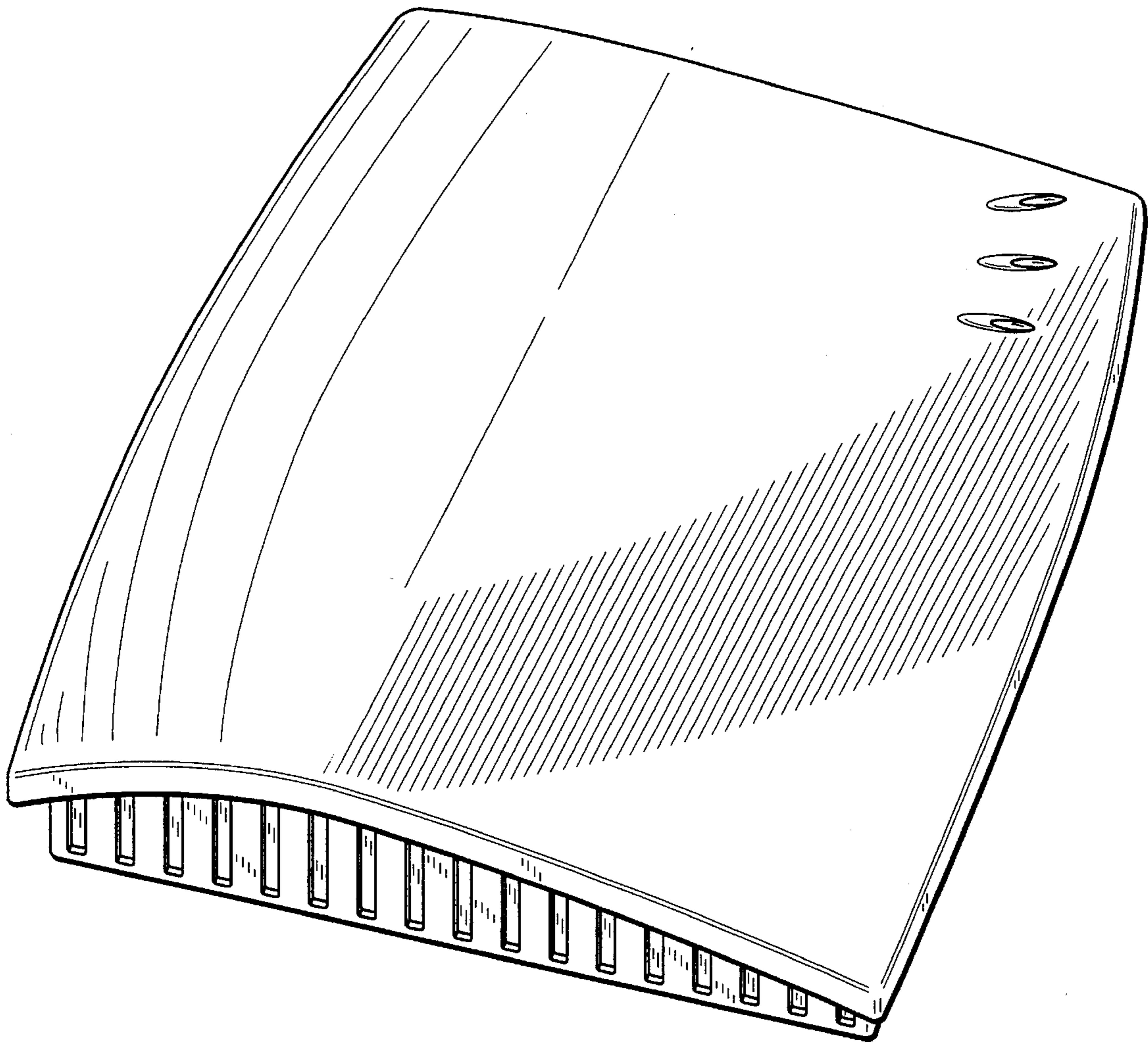


FIG. 1

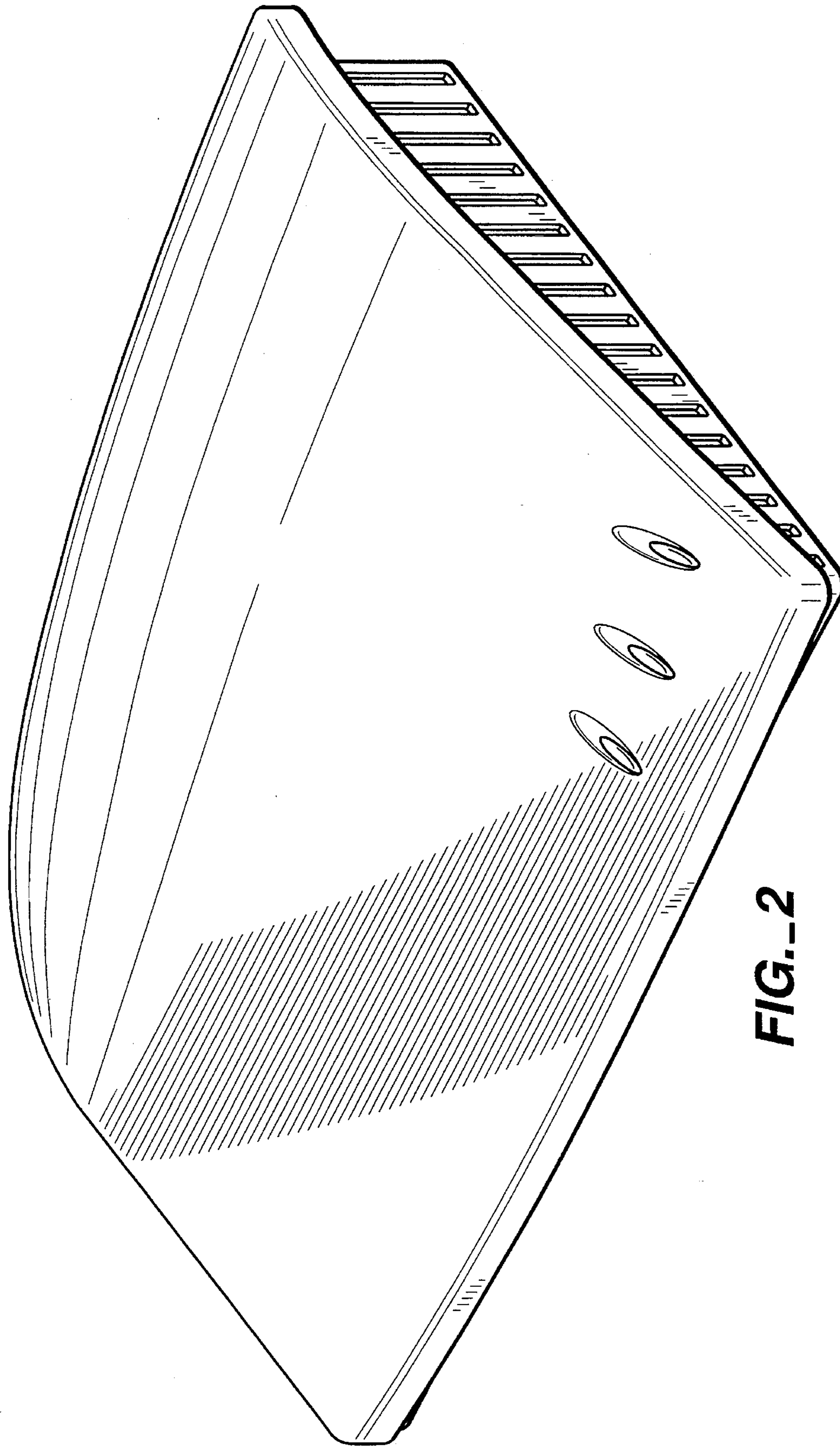


FIG.-2

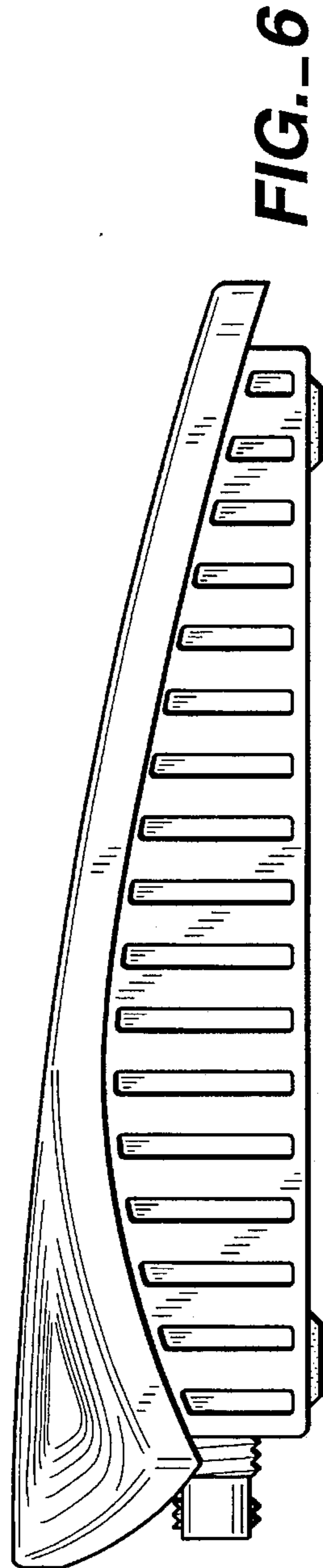
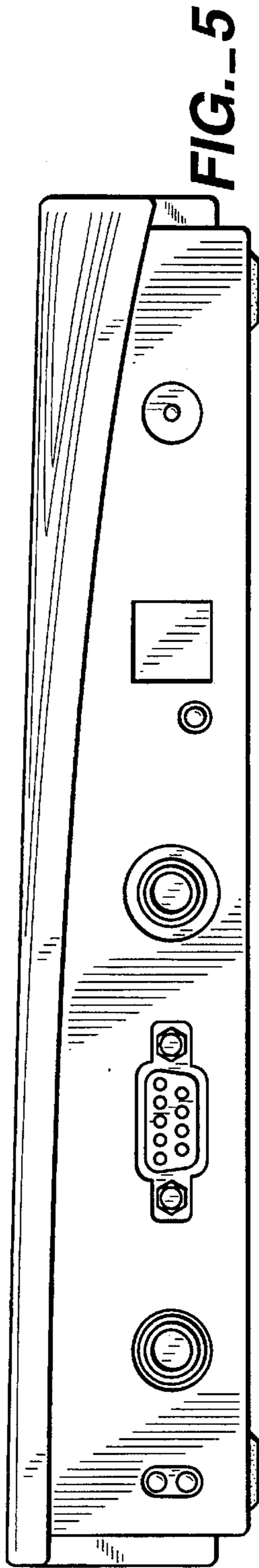
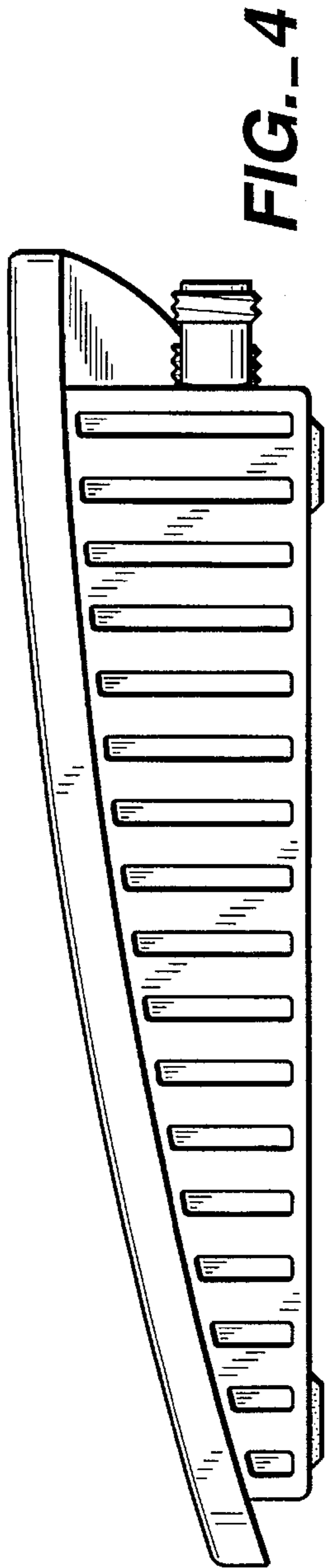
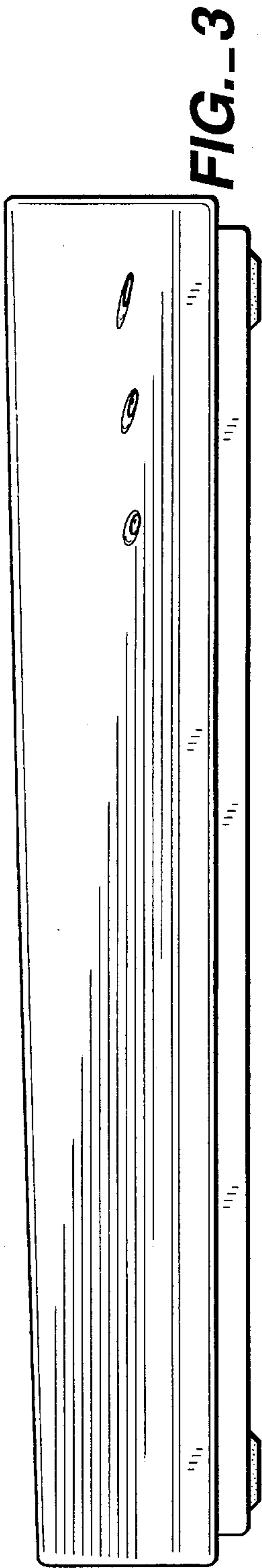




FIG.-7

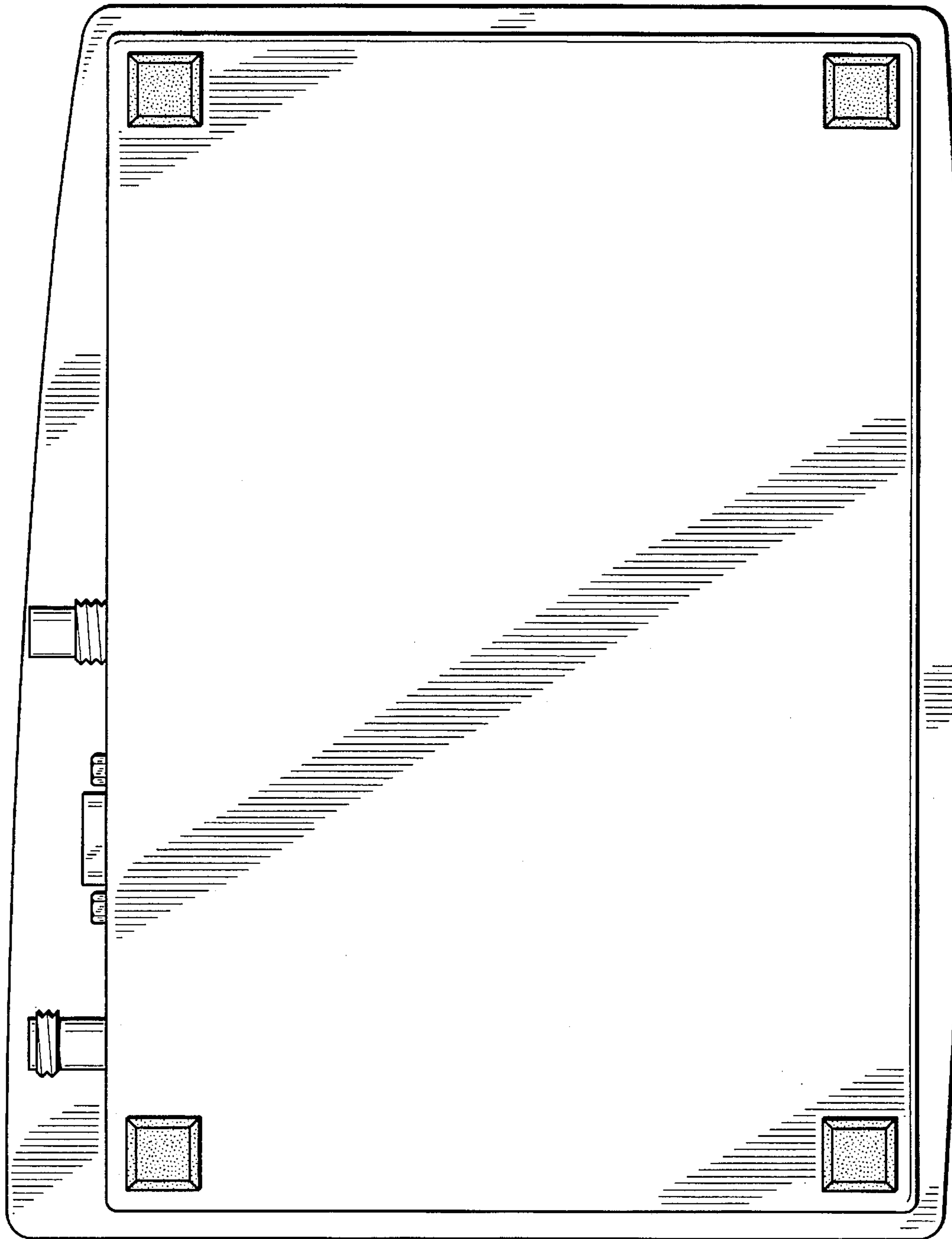


FIG.-8