



US00D375296S

United States Patent [19] Kondo

[11] Patent Number: **Des. 375,296**

[45] Date of Patent: ****Nov. 5, 1996**

[54] **IMAGE READER**

[75] Inventor: **Shozo Kondo**, Tokyo, Japan

[73] Assignee: **Fuji Photo Film Co., Ltd.**, Kanagawa, Japan

[**] Term: **14 Years**

[21] Appl. No.: **44,697**

[22] Filed: **Sep. 29, 1995**

[30] **Foreign Application Priority Data**

Mar. 31, 1995 [JP] Japan 7-9033

[52] **U.S. Cl.** **D14/107; D16/225**

[58] **Field of Search** D14/100, 105, D14/107, 113; D16/225, 232, 208, 214; D18/36, 37, 39; 250/563, 566; 358/408, 472, 479, 497, 228, 229, 254; 235/454, 462, 470, 476, 482, 483, 441; 382/59

[56] **References Cited**

U.S. PATENT DOCUMENTS

- D. 304,937 12/1989 Sakuta D14/109
- D. 307,415 4/1990 Holmer et al. D14/100 X
- D. 330,891 11/1992 Urbas et al. D14/105 X
- D. 354,050 1/1995 Hasegawa D14/107
- D. 359,031 6/1995 Hatano D14/100

*Primary Examiner—Freda Nunn
Attorney, Agent, or Firm—Young & Thompson*

[57] **CLAIM**

The ornamental design for an image reader, as shown and described.

DESCRIPTION

FIG. 1 is a top, front and side perspective view of an image reader showing my new design;
 FIG. 2 is a front elevational view thereof;
 FIG. 3 is a rear elevational view thereof;
 FIG. 4 is a top plan view thereof;
 FIG. 5 is a bottom plan view thereof;
 FIG. 6 is a side elevation view thereof from the left of FIG. 2;
 FIG. 7 is a side elevation view thereof from the right of FIG. 2;
 FIG. 8 is a view similar to FIG. 1 but showing supporting arms partially extended and a head lamp unit rotated 90°; and,
 FIG. 9 is another view similar to FIG. 1 but showing the image reader inverted, the supporting arms fully extended and the head lamp unit fully opened.
 The broken lines are shown in FIGS. 8 and 9 for illustrative purposes only and form no part of the claimed design.

1 Claim, 7 Drawing Sheets

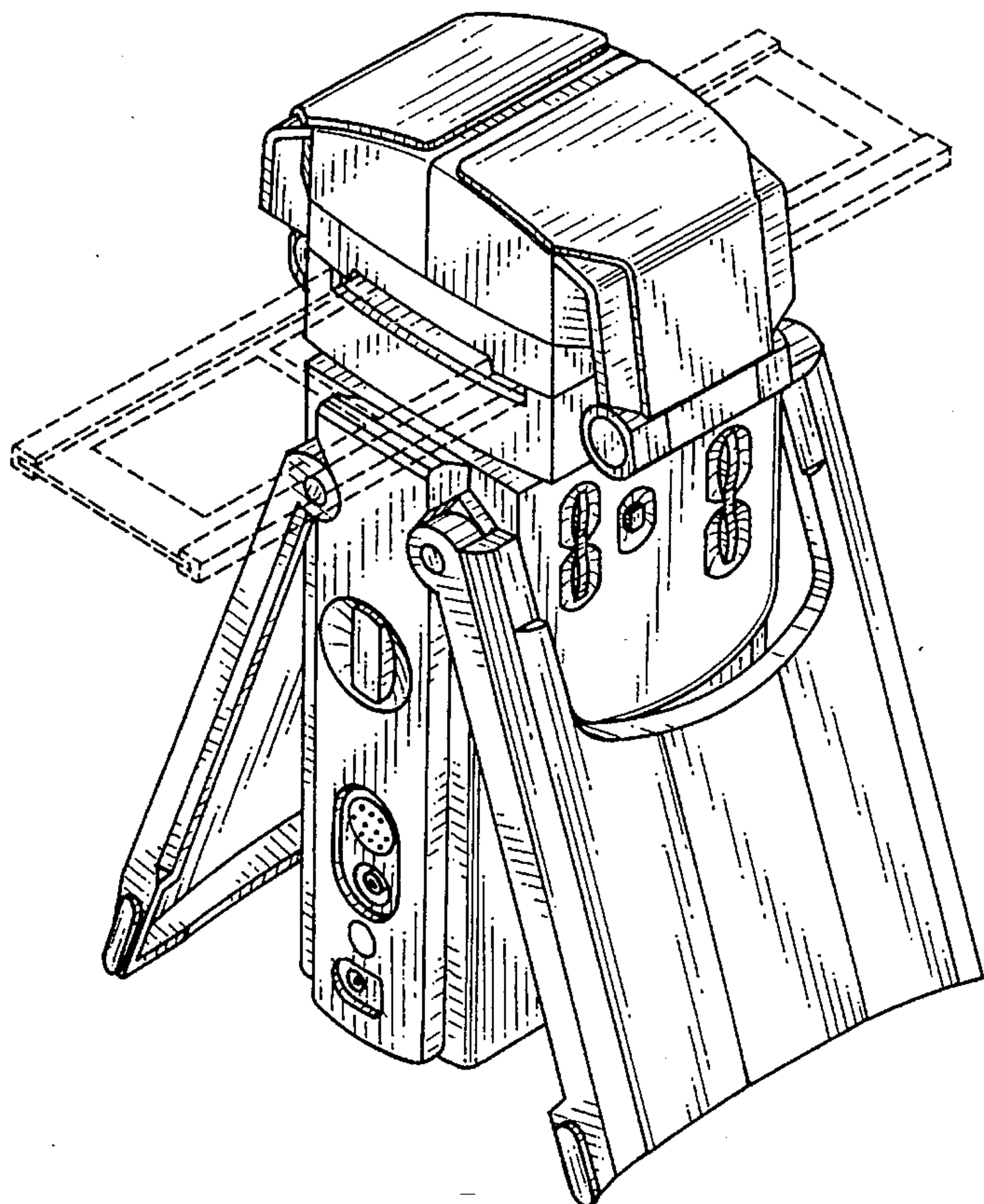
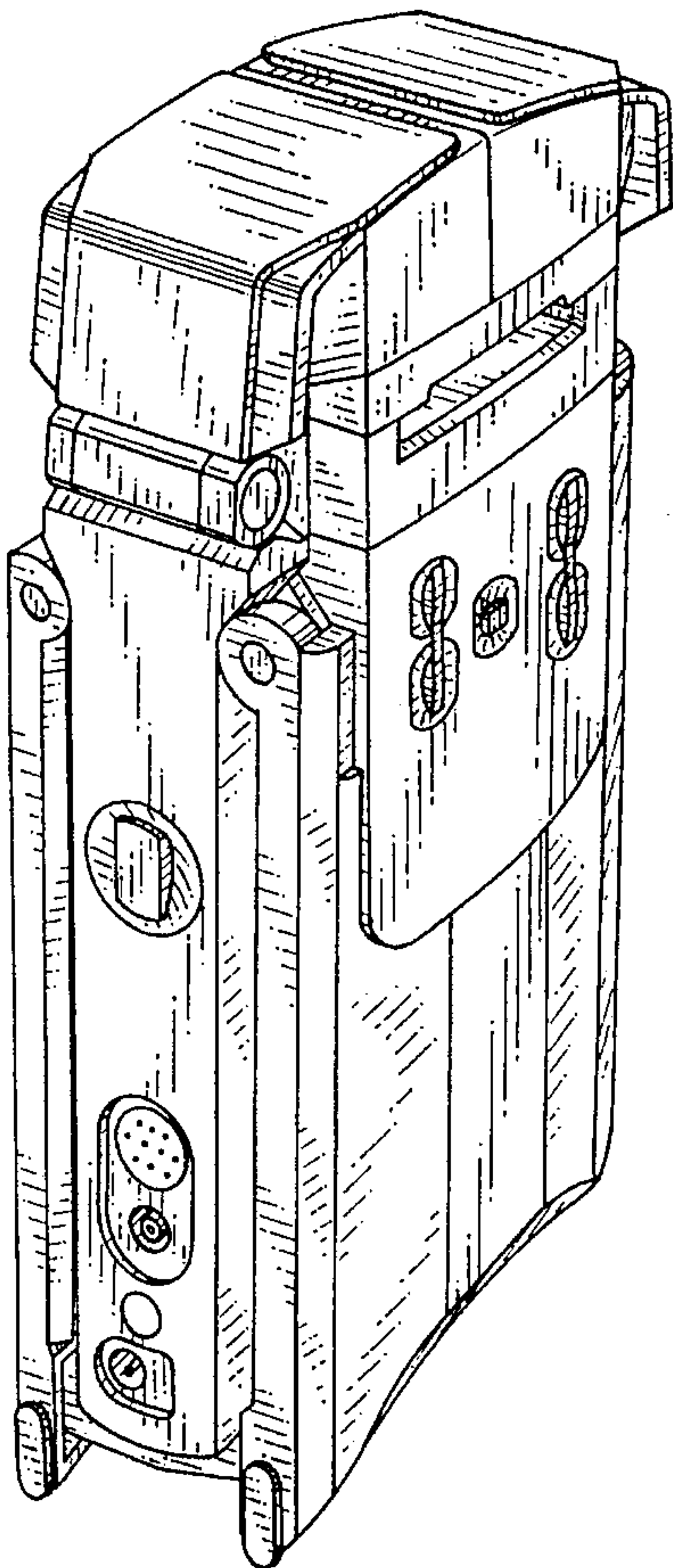


FIG. 1

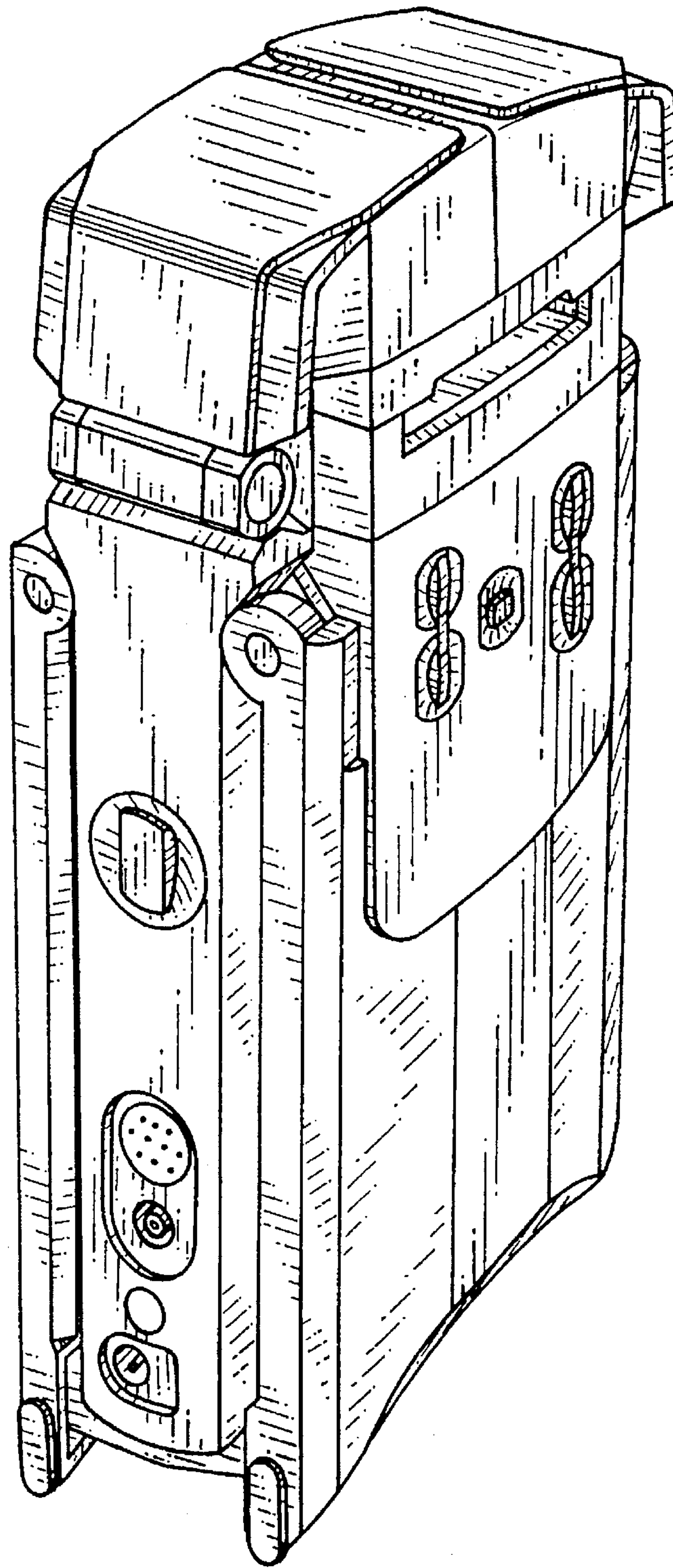


FIG. 2

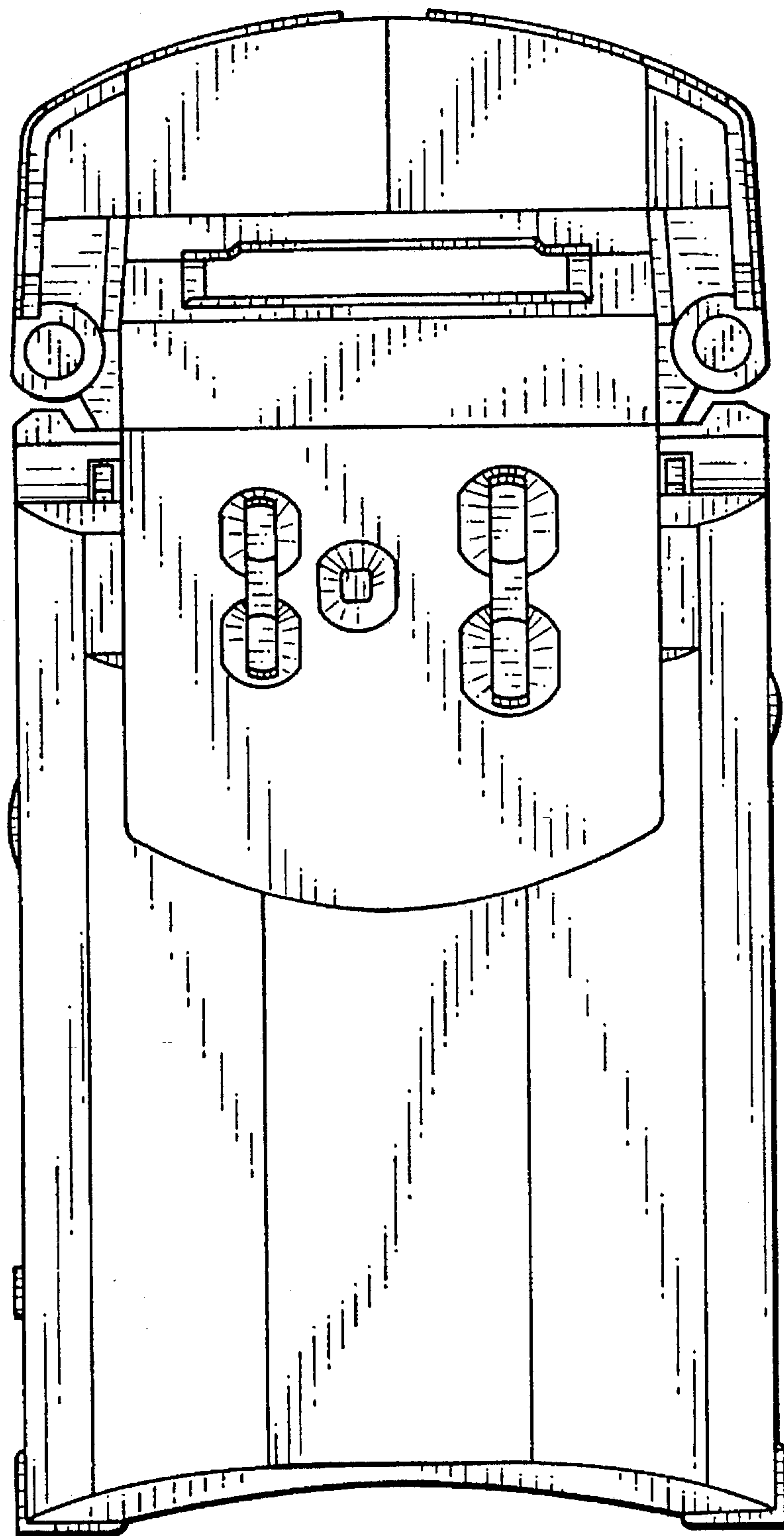


FIG. 3

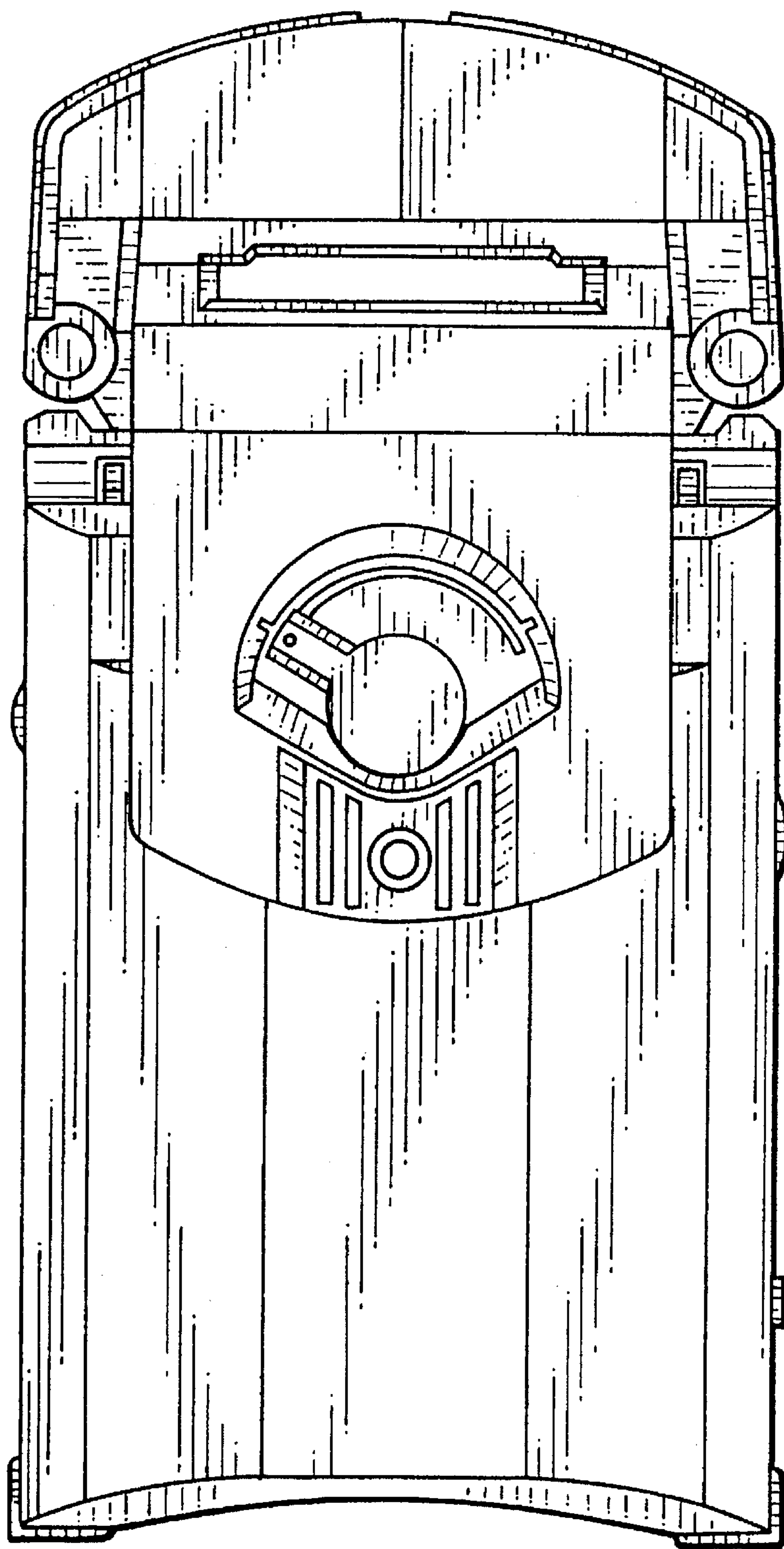


FIG. 4

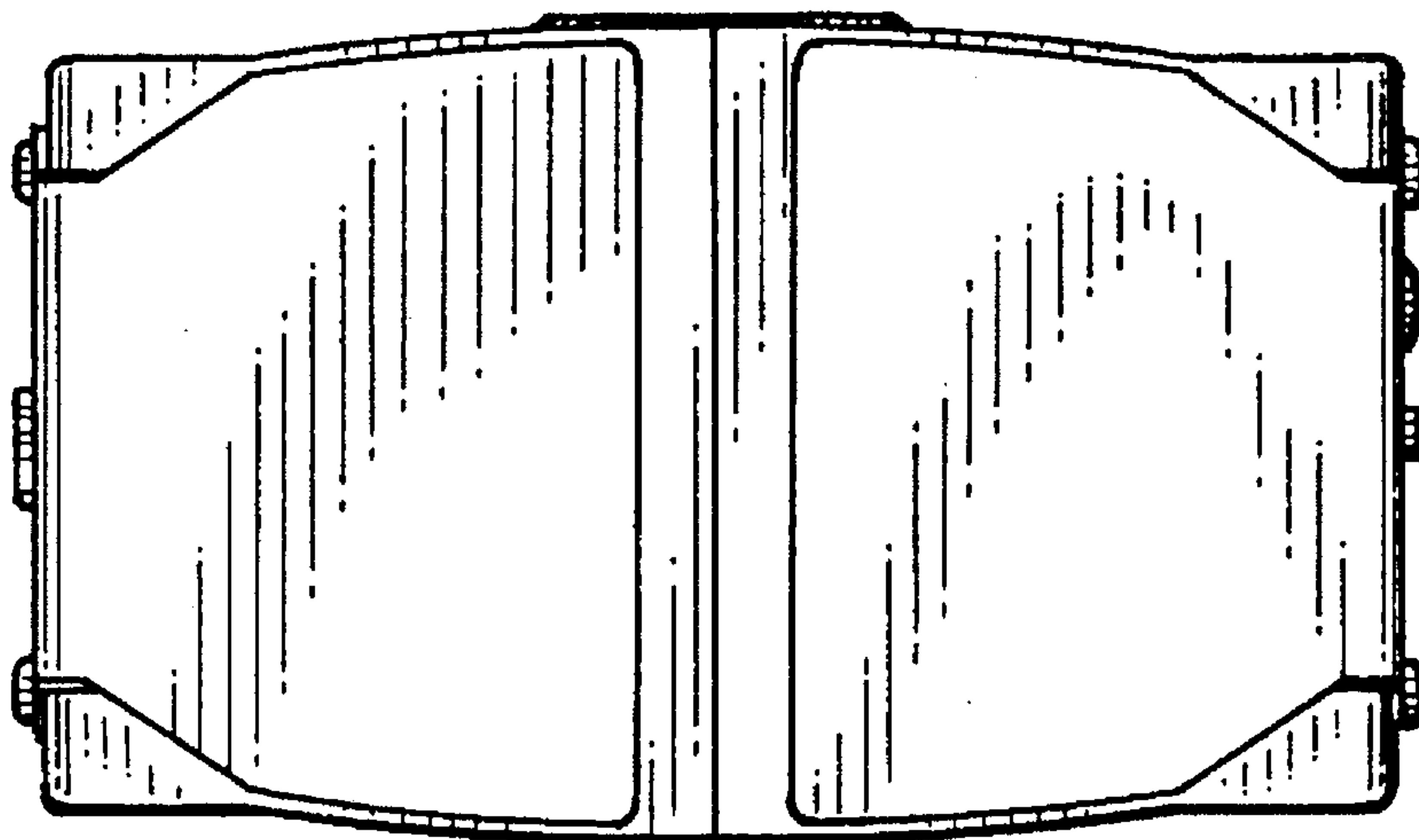


FIG. 5

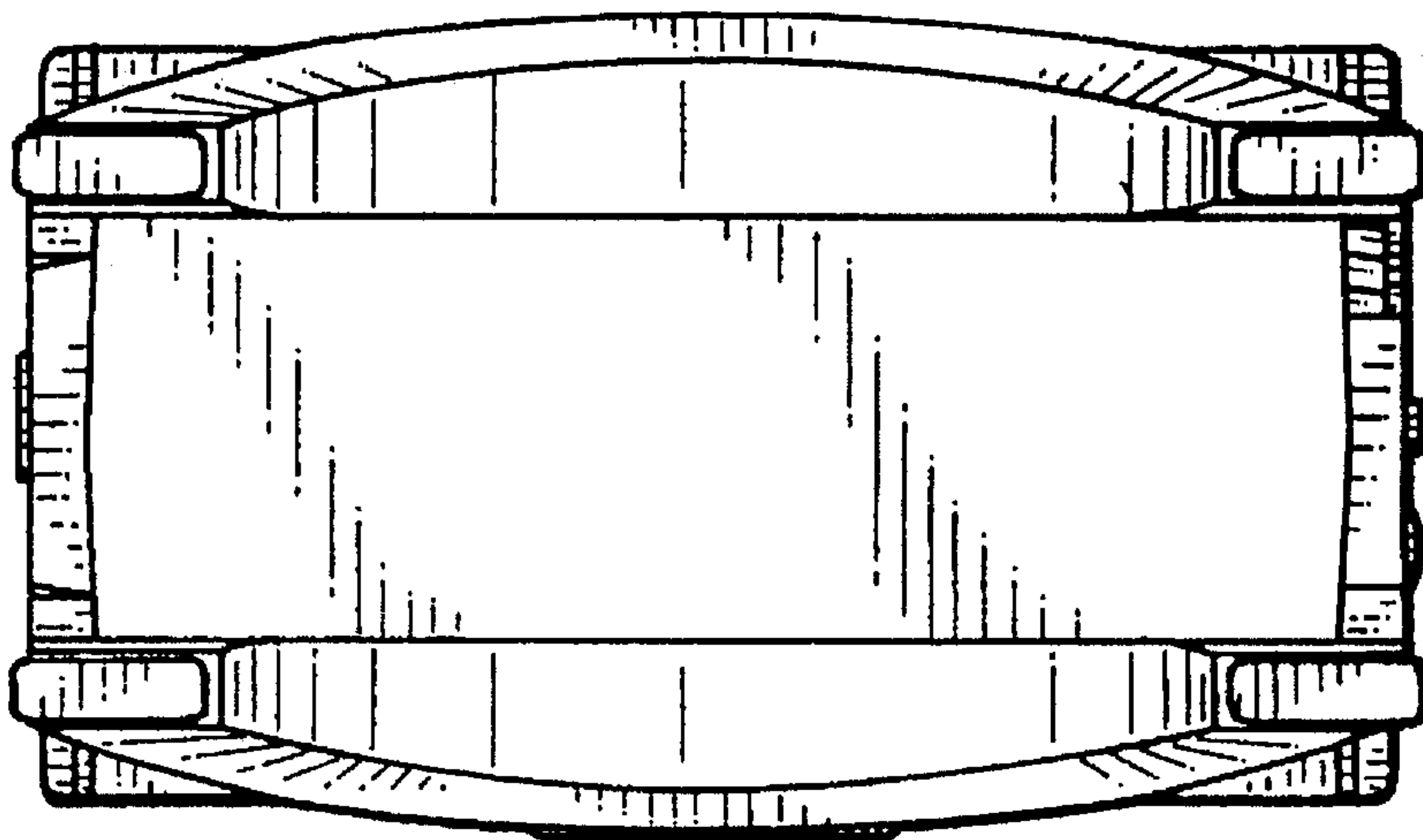


FIG. 6

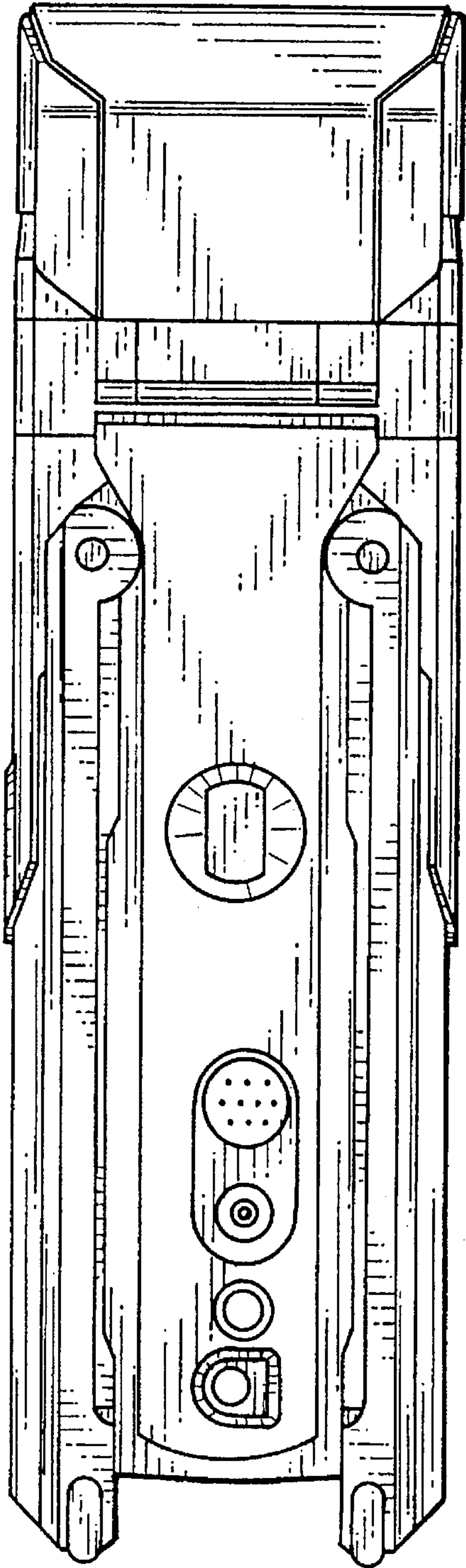


FIG. 7

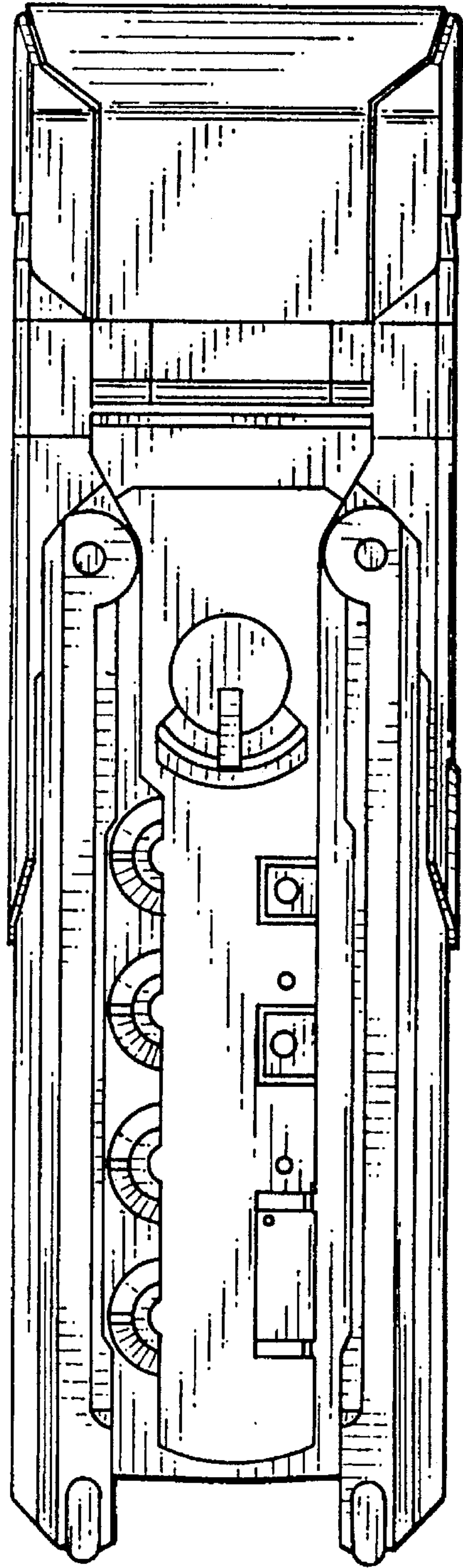


FIG. 8

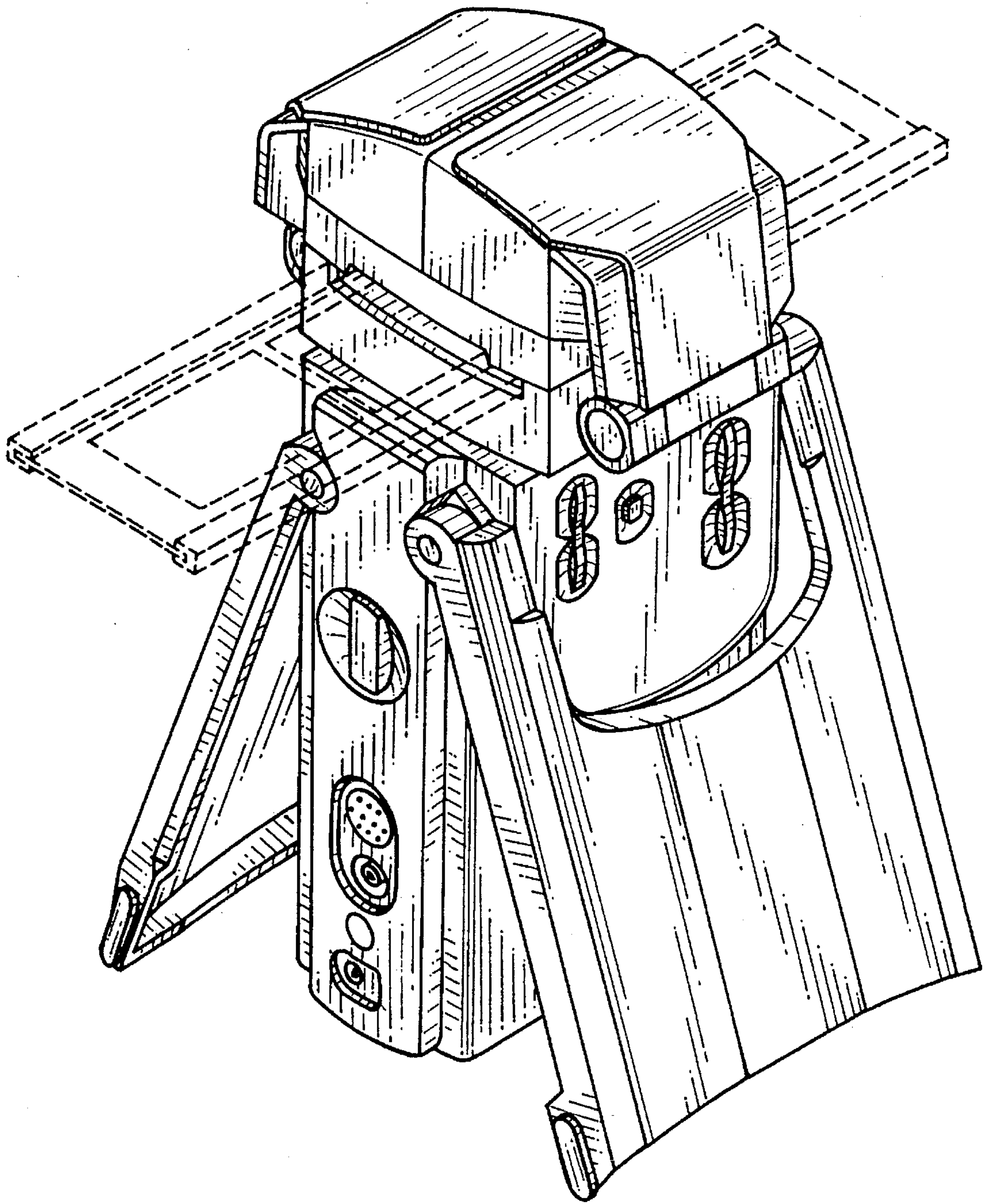


FIG. 9

