



US00D375294S

United States Patent [19] Iino

[11] **Patent Number:** **Des. 375,294**
[45] **Date of Patent:** ****Nov. 5, 1996**

[54] **ELECTRONIC COMPUTER**

94 06 224 1/1995 Germany .
94 06 894 3/1995 Germany .

[75] Inventor: **Masaaki Iino**, Saitama, Japan

OTHER PUBLICATIONS

[73] Assignee: **Kabushiki Kaisha Toshiba**, Kawasaki, Japan

Toshiba Protege T3400CT laptop computer 1993.
Brochure "Power Lite", RDI, published Feb. 14, 1994.
Mitac Japan Advertisement, published Jul. 18, 1994.
Denpa Shimbun (EPS-466 DX2/TC), Knowledge Computer Consulting, published Apr. 29, 1993.
Denpa Shimbun (ATT Wave Note), Nihon NCR, published Oct. 27, 1993.

[**] Term: **14 Years**

[21] Appl. No.: **41,814**

[22] Filed: **Jul. 25, 1995**

[30] Foreign Application Priority Data

Feb. 2, 1995 [JP] Japan 7-2198

[52] **U.S. Cl.** **D14/106**

[58] **Field of Search** D14/100, 101,
D14/106, 113, 115, 124-127; D18/1, 7;
235/145 A, 145 R; 341/22, 23; 345/104,
156, 160, 168, 173; 361/679-686; 364/708.1,
709.04, 709.12; 400/486, 489

Primary Examiner—Freda Nunn
Attorney, Agent, or Firm—Banner & Allegretti, Ltd.

[57] CLAIM

The ornamental design for an electronic computer, as shown and described.

DESCRIPTION

FIG. 1 is a top, front and right side perspective view of an electronic computer showing my new design;
FIG. 2 is a front elevational view thereof;
FIG. 3 is a rear elevational view thereof;
FIG. 4 is a left side elevational view thereof;
FIG. 5 is a right side elevational view thereof;
FIG. 6 is a top plan view thereof;
FIG. 7 is a bottom plan view thereof;
FIG. 8 is a front elevational view thereof in closed position;
FIG. 9 is a right side elevational view thereof in closed position; and,
FIG. 10 is a top plan view thereof in closed position.

[56] References Cited

U.S. PATENT DOCUMENTS

D. 332,783	1/1993	Krakower et al.	D14/106
D. 338,456	8/1993	Brunner et al.	D14/106
D. 349,278	8/1994	Wetrin	D14/106
D. 350,121	8/1994	Kaneko	D14/106
D. 351,377	10/1994	Yu	D14/106
D. 356,069	3/1995	Lee	D14/106

FOREIGN PATENT DOCUMENTS

93 09 976 7/1994 Germany .

1 Claim, 5 Drawing Sheets

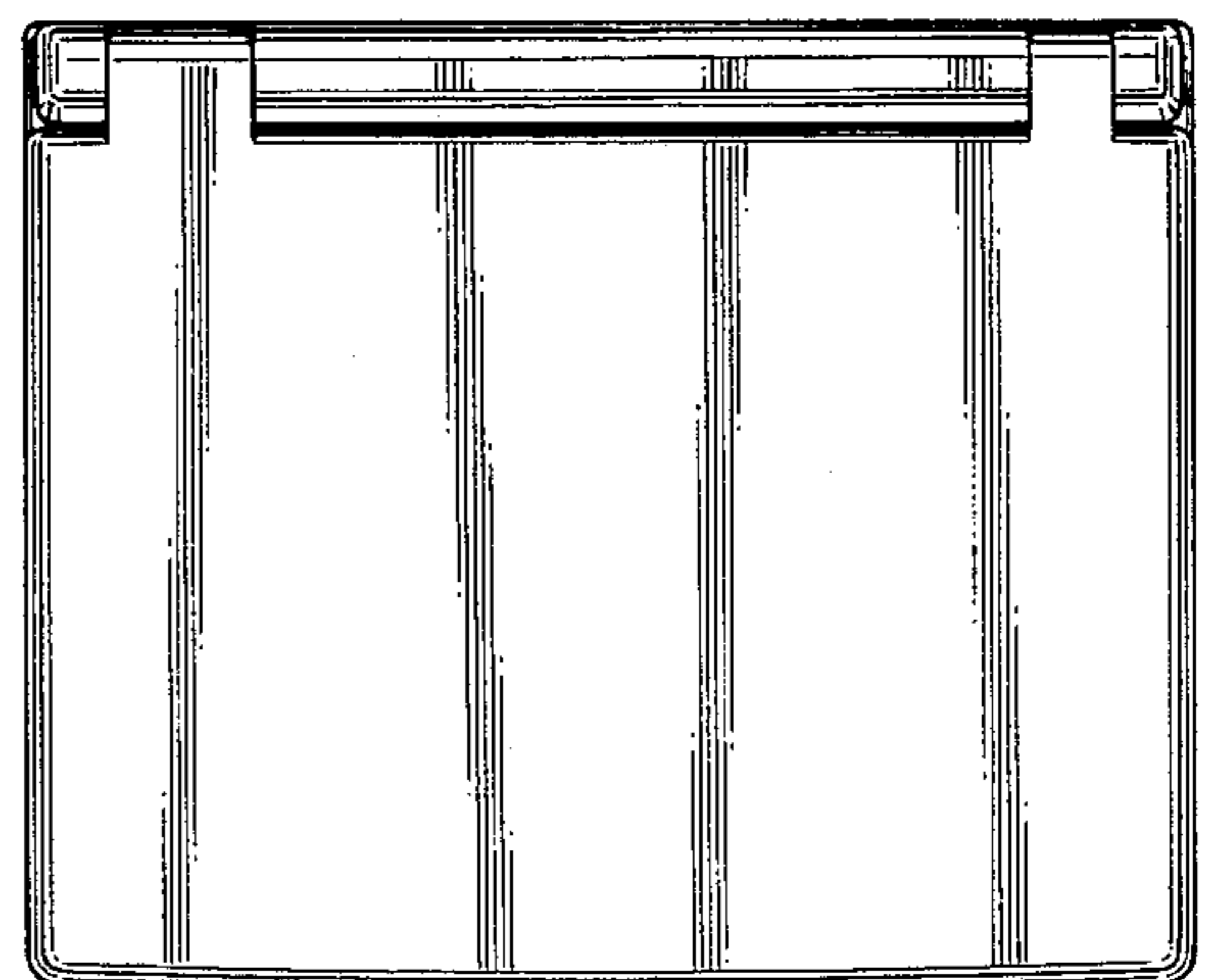


FIG. 1

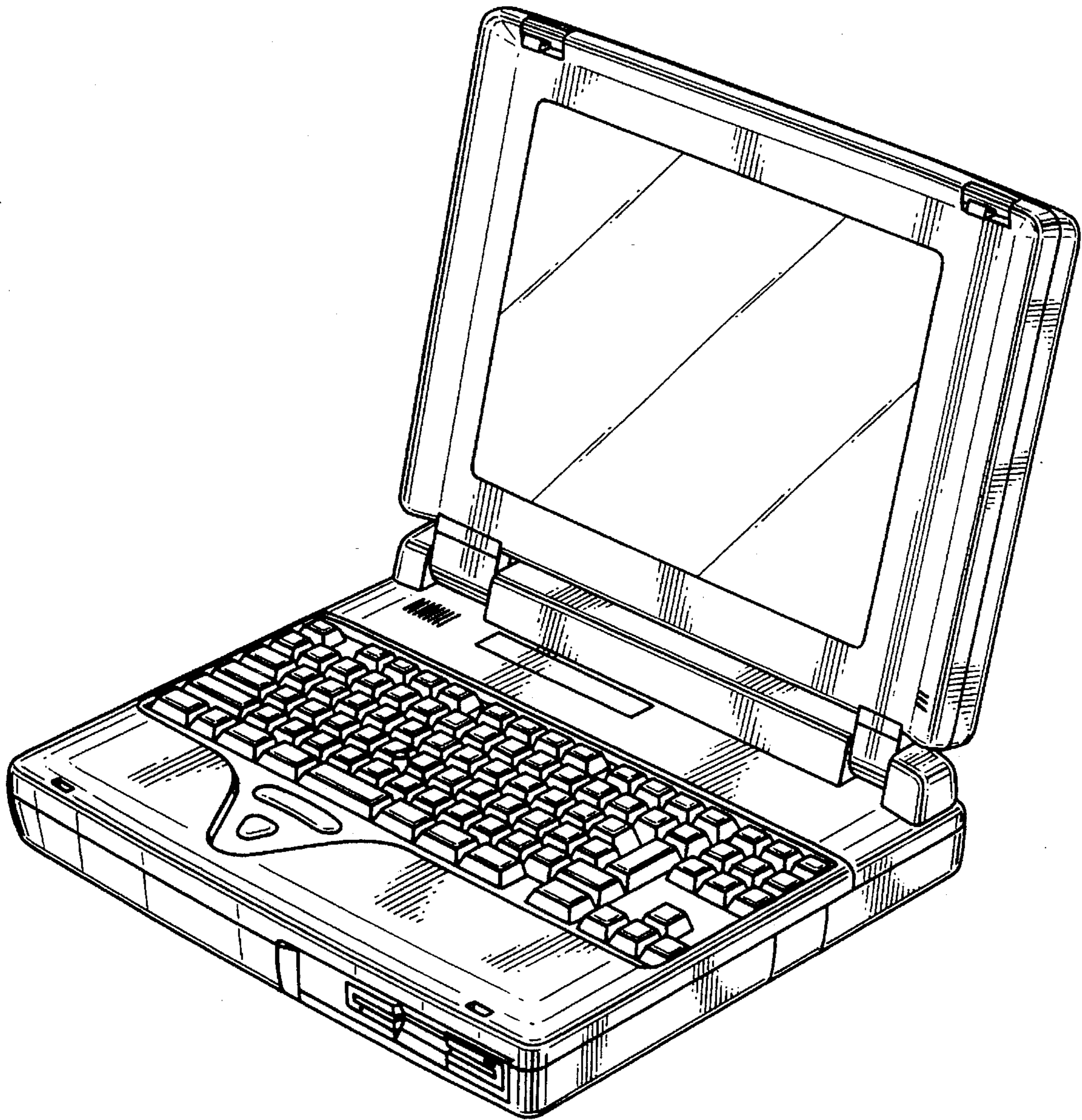


FIG. 2

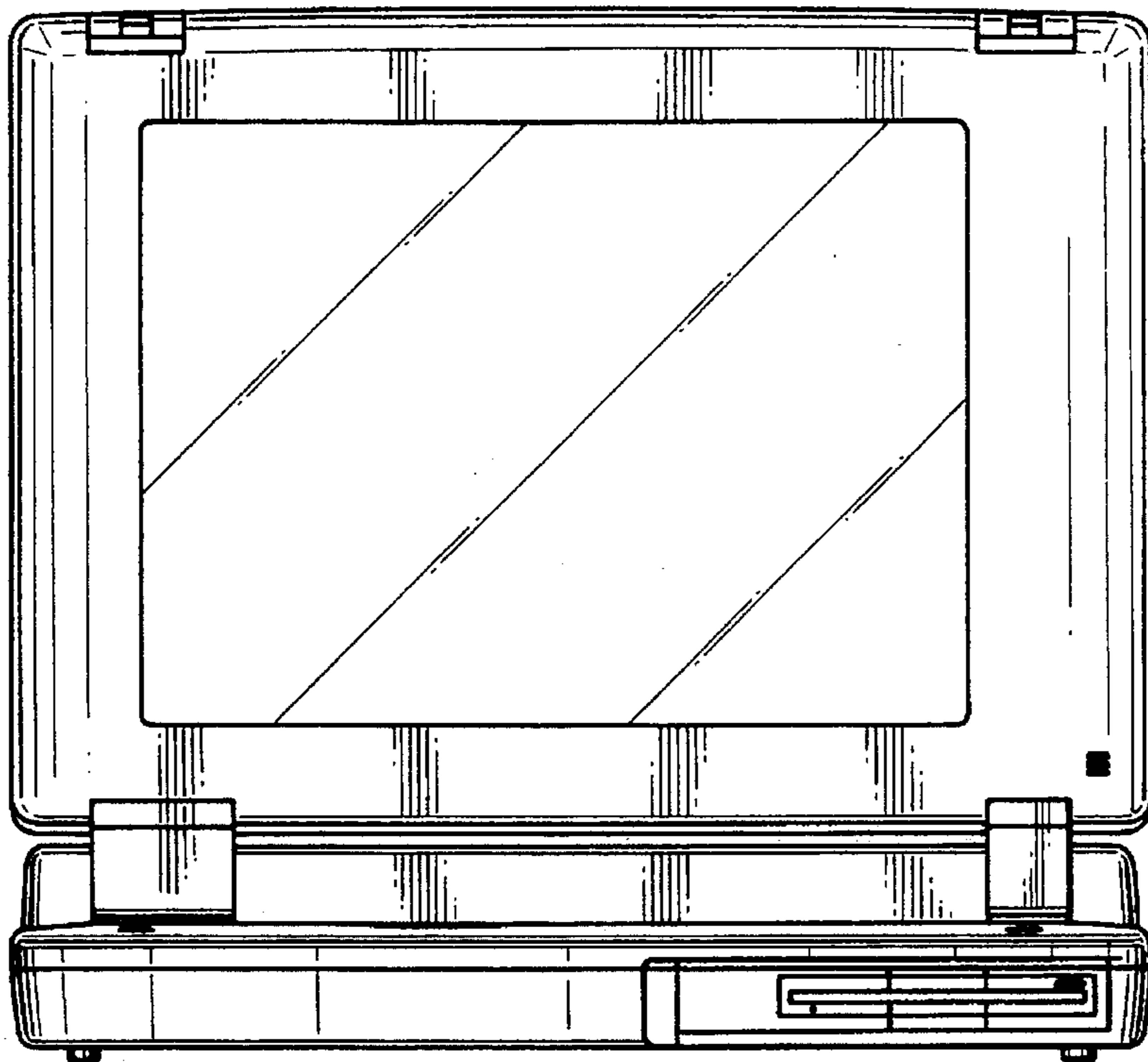


FIG. 3

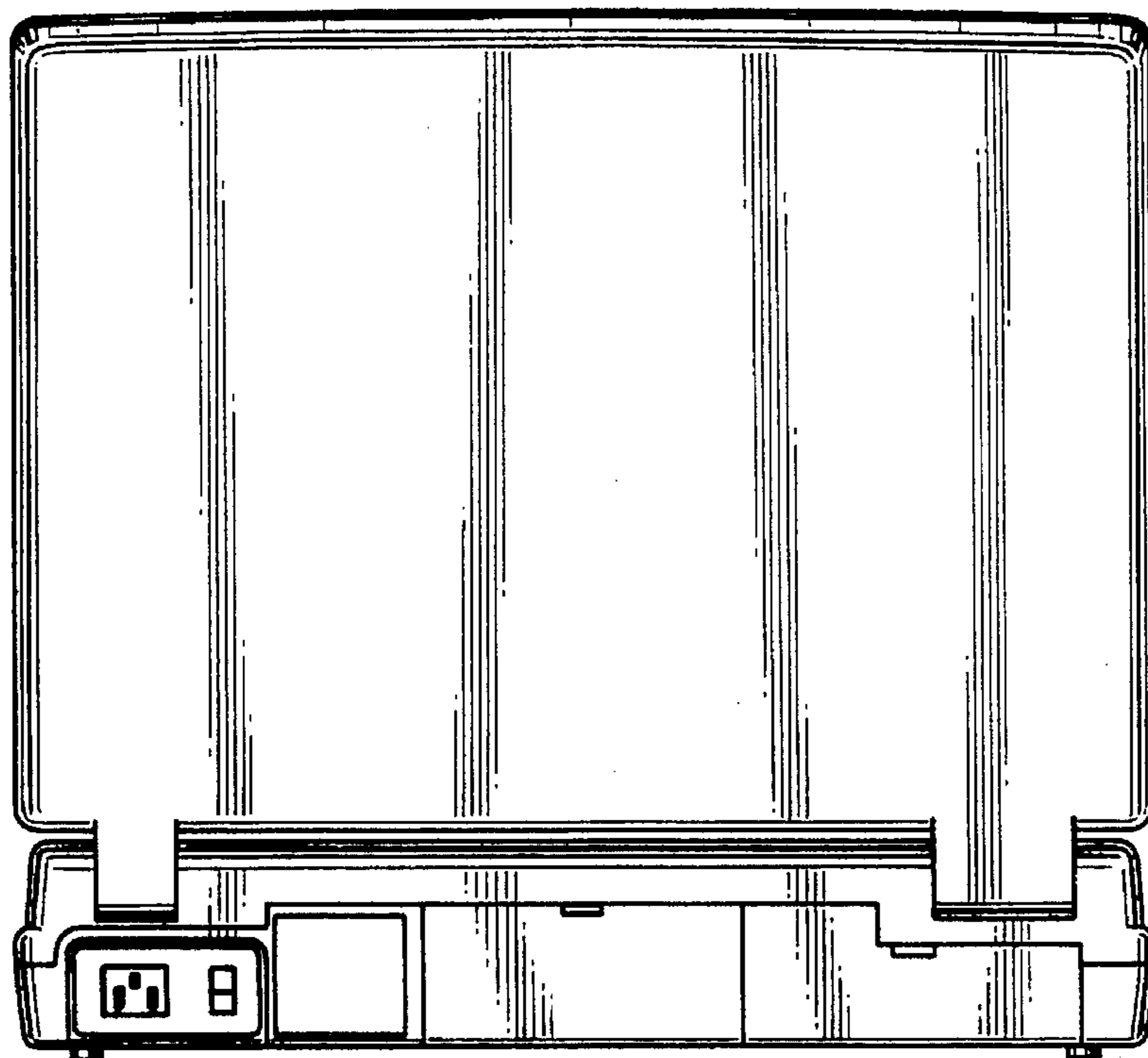


FIG. 4

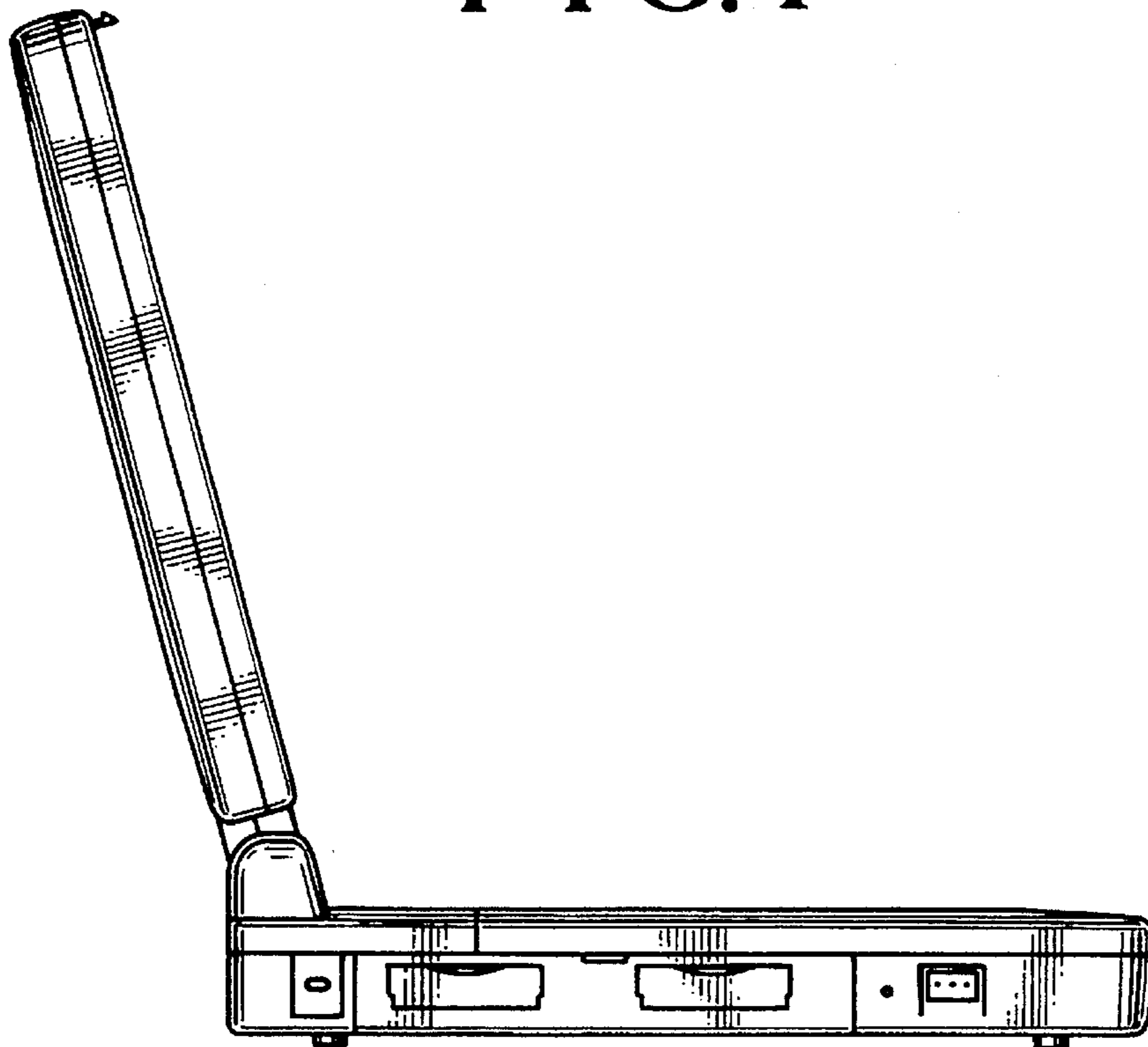


FIG. 5

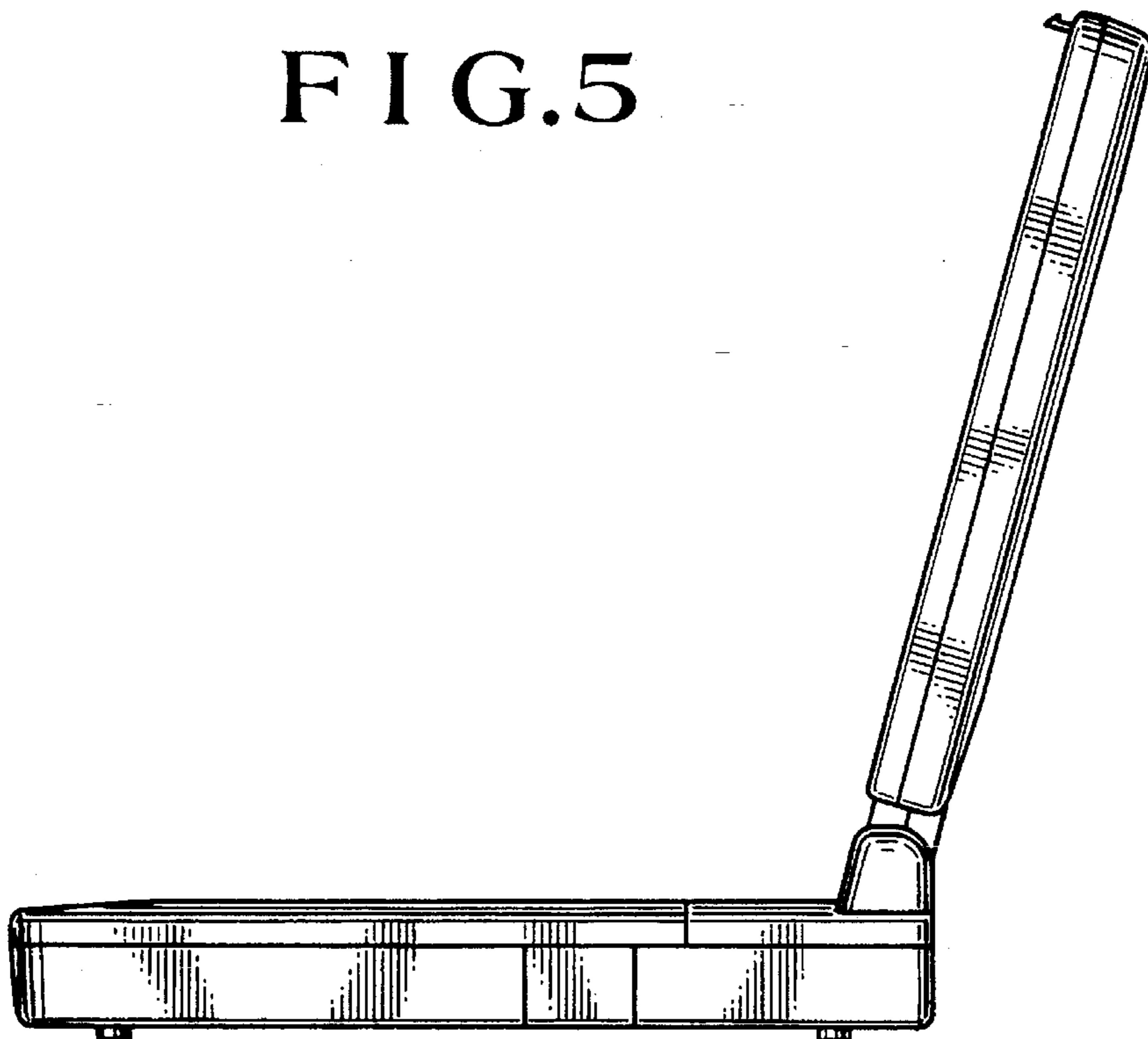


FIG.6

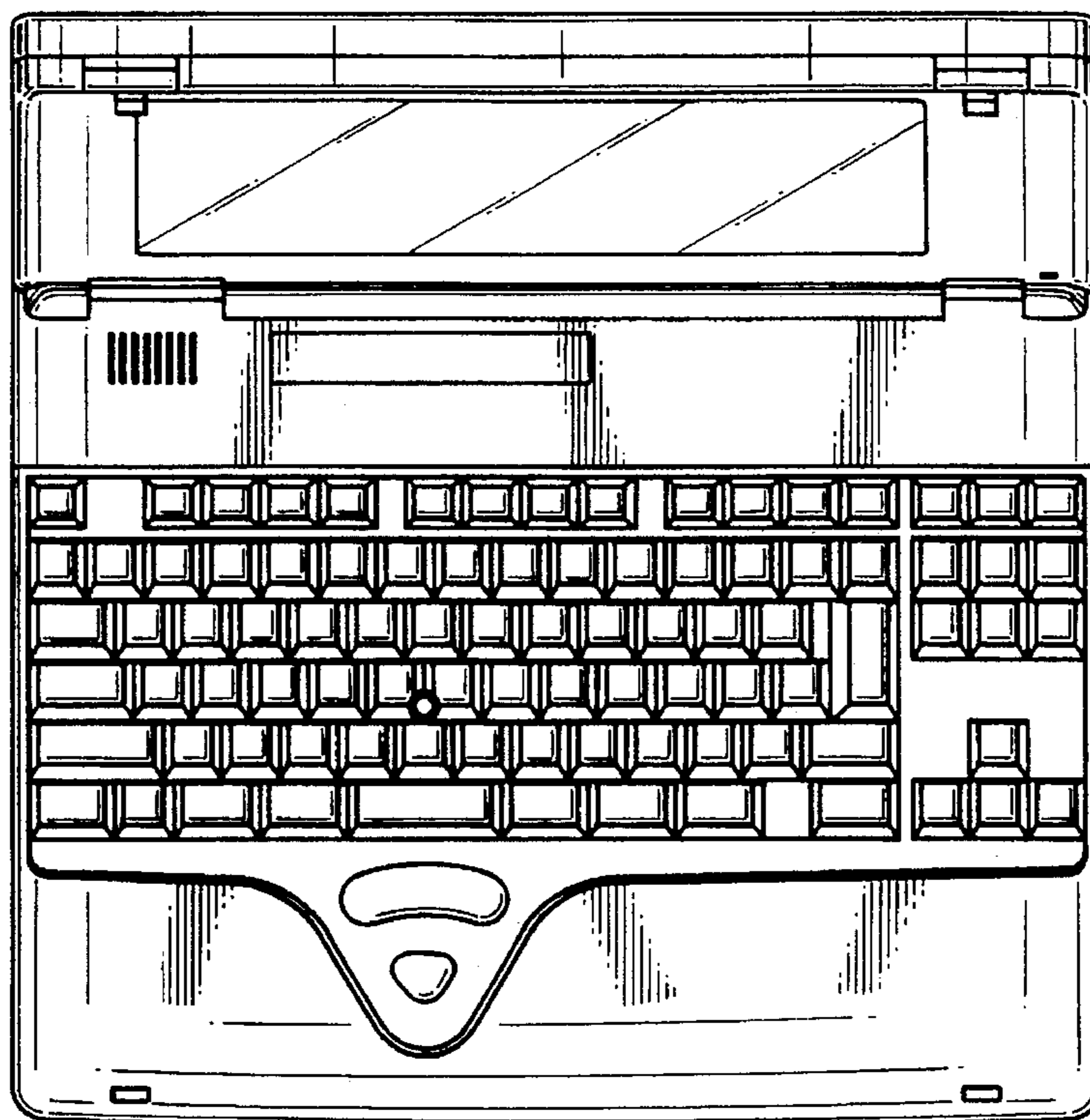


FIG.7

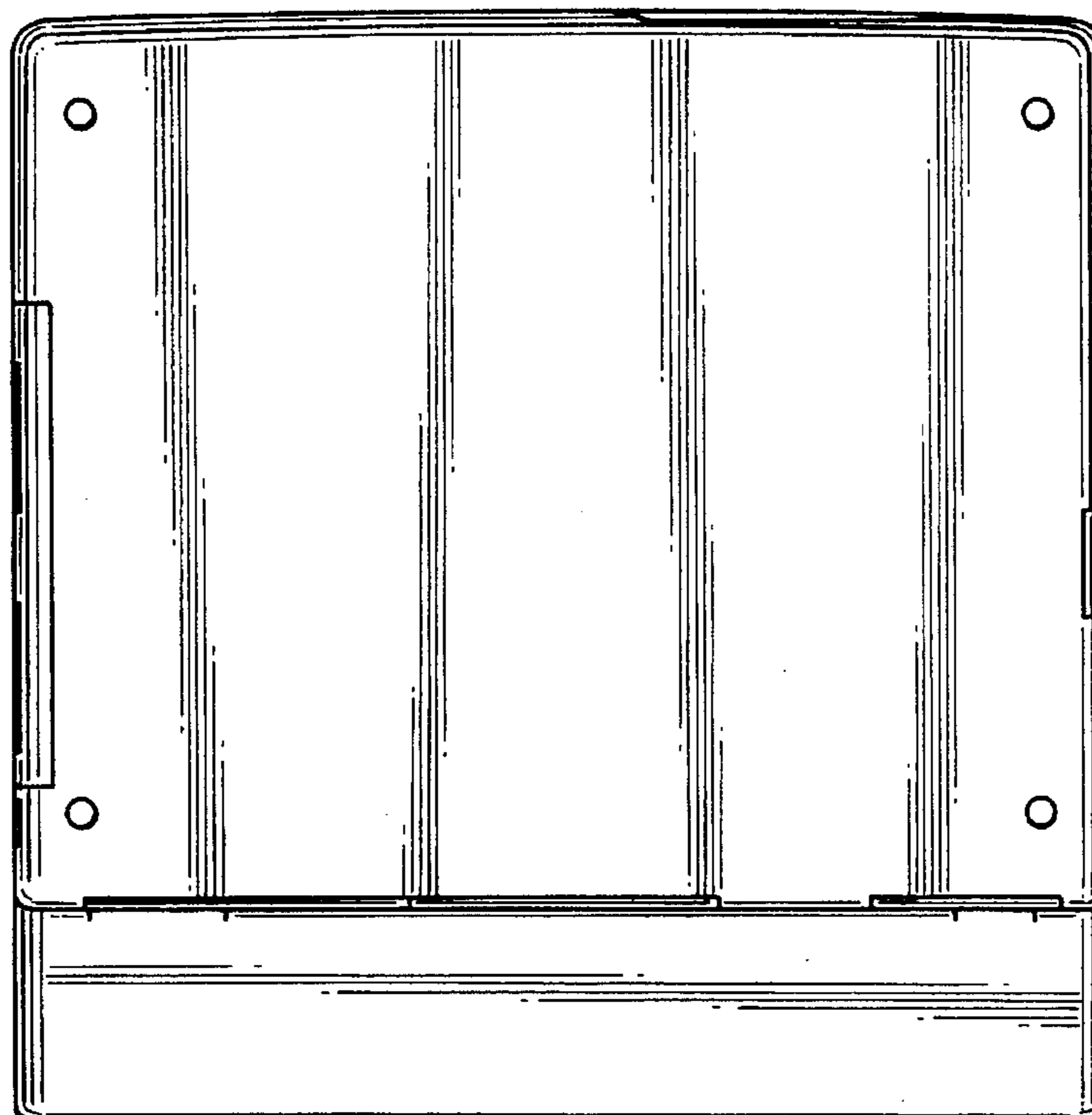


FIG.8

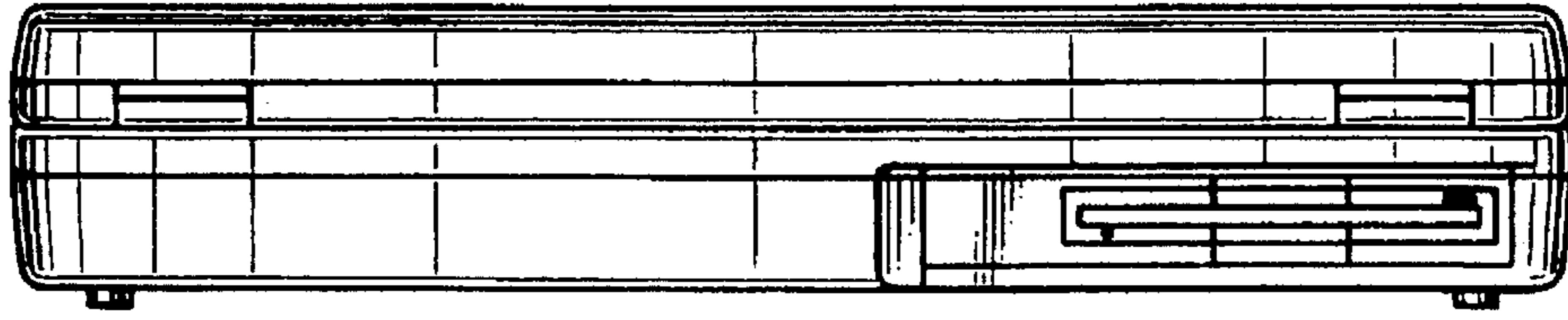


FIG.9

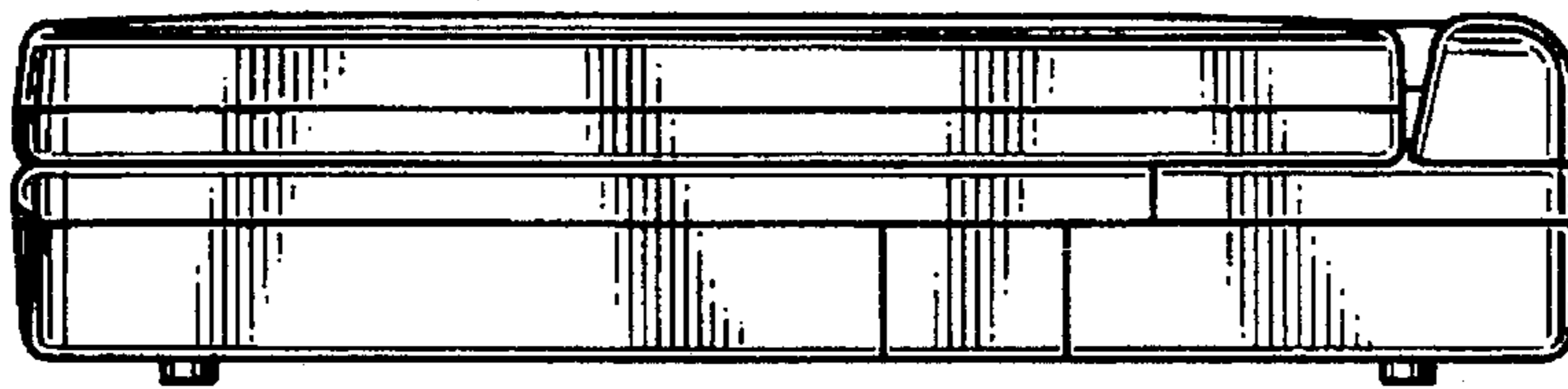


FIG.10

