



US00D375292S

# United States Patent [19]

D'Amato

[11] Patent Number: **Des. 375,292**

[45] Date of Patent: **\*\*Nov. 5, 1996**

[54] ELECTRICAL WALL OUTLET ADAPTOR

243793 1/1961 Australia ..... 439/106  
533723 2/1941 United Kingdom ..... 439/445

[76] Inventor: **Domenic D'Amato**, 313 Preston Dr.,  
Oshawa, Ontario, Canada, L1J 6Y6

Primary Examiner—Joel Sincavage

[\*\*] Term: **14 Years**

### [57] CLAIM

[21] Appl. No.: **19,847**

The ornamental design for a electrical wall outlet adaptor, as shown and described.

[22] Filed: **Mar. 14, 1994**

### DESCRIPTION

[52] U.S. Cl. .... **D13/139; D13/141; D13/143**

[58] Field of Search ..... D13/137, 138,  
D13/141, 143, 154; 439/445, 447, 449,  
474, 483; 174/135

FIG. 1 is a rear perspective view of the electrical wall outlet adaptor;

FIG. 2 is a front view of the electrical wall outlet adaptor; FIGS. 3 and 4 are opposite side views of the electrical wall outlet adaptor;

### [56] References Cited

#### U.S. PATENT DOCUMENTS

D. 58,019 5/1921 Collier ..... D13/138  
2,397,688 4/1946 Osinski ..... 439/535 X  
2,573,533 10/1951 Barocas ..... 439/687 X  
5,154,642 10/1992 Chung-Yin ..... 439/655 X

FIG. 5 is a rear view of the electrical wall outlet adaptor; FIGS. 6 and 7 are rear perspective views of alternate forms of the electrical wall outlet adaptor;

FIG. 8 is a rear view of the electrical wall outlet adaptor of FIG. 6; and,

FIG. 9 is a rear view of the electrical wall outlet adaptor of FIG. 7.

#### FOREIGN PATENT DOCUMENTS

218906 3/1957 Australia ..... 439/628  
228424 6/1959 Australia ..... 439/600

All other aspects of the second and third embodiment are the same as the first embodiment except for the prongs.

**1 Claim, 2 Drawing Sheets**

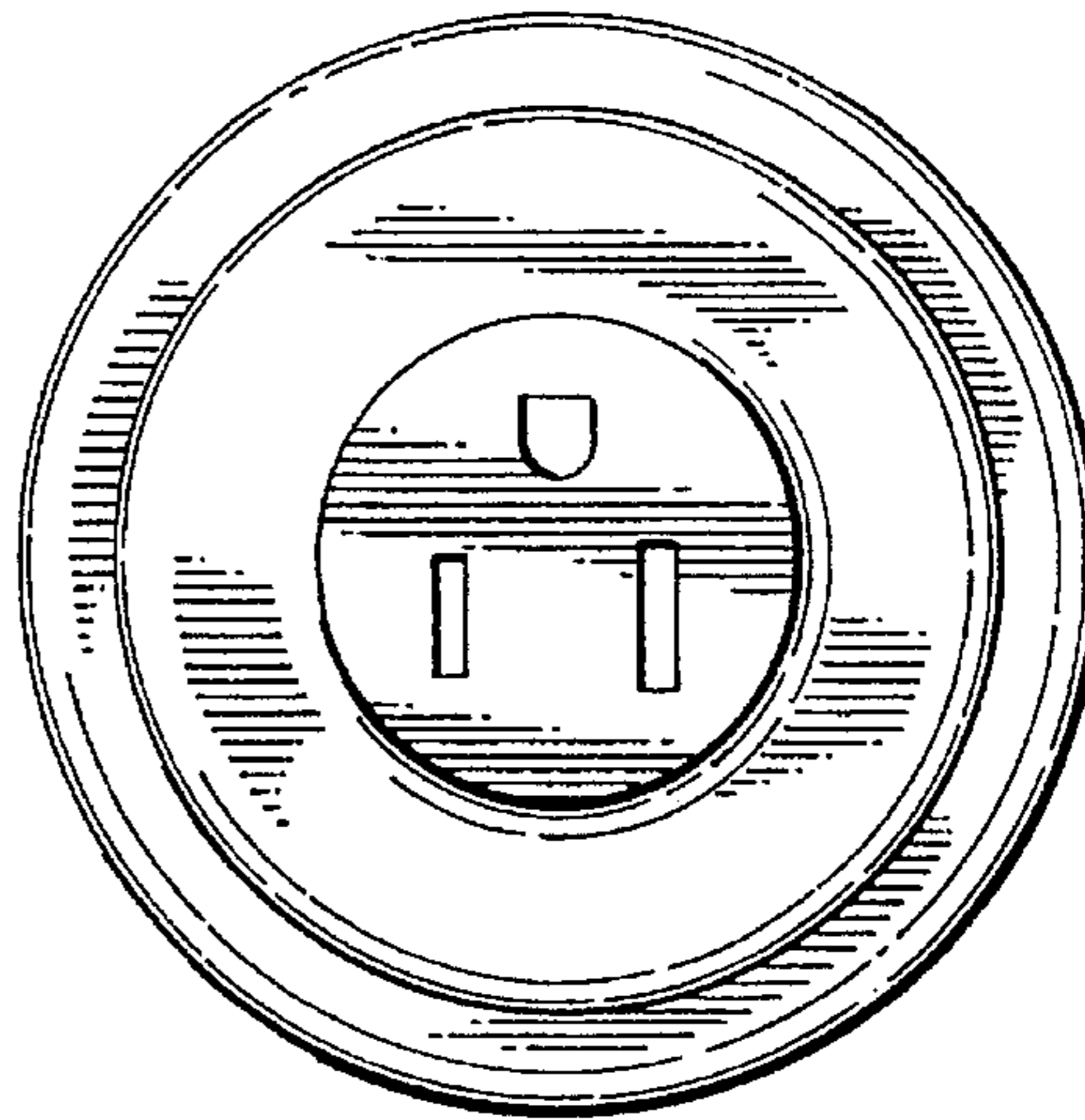
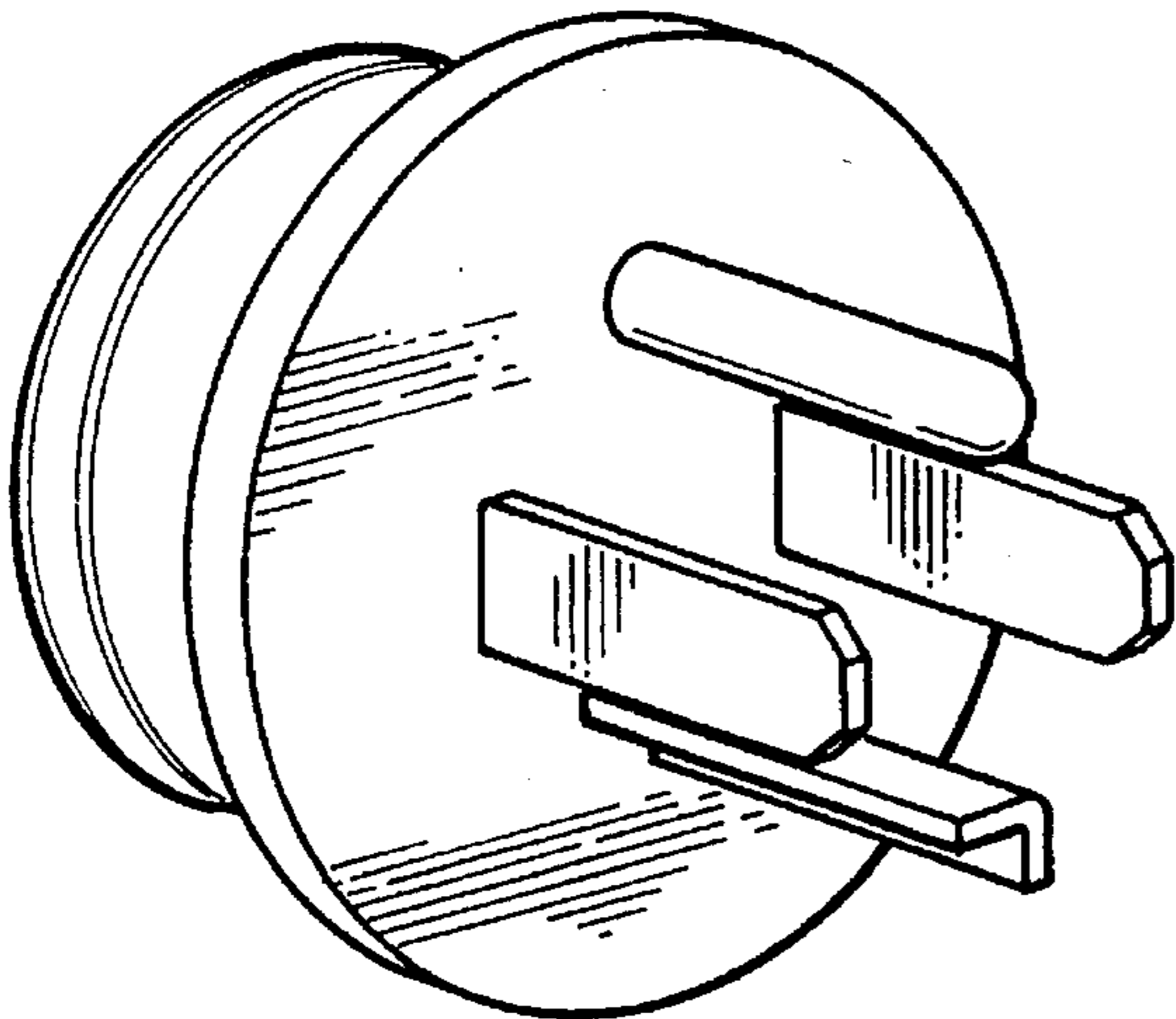


FIG.1.

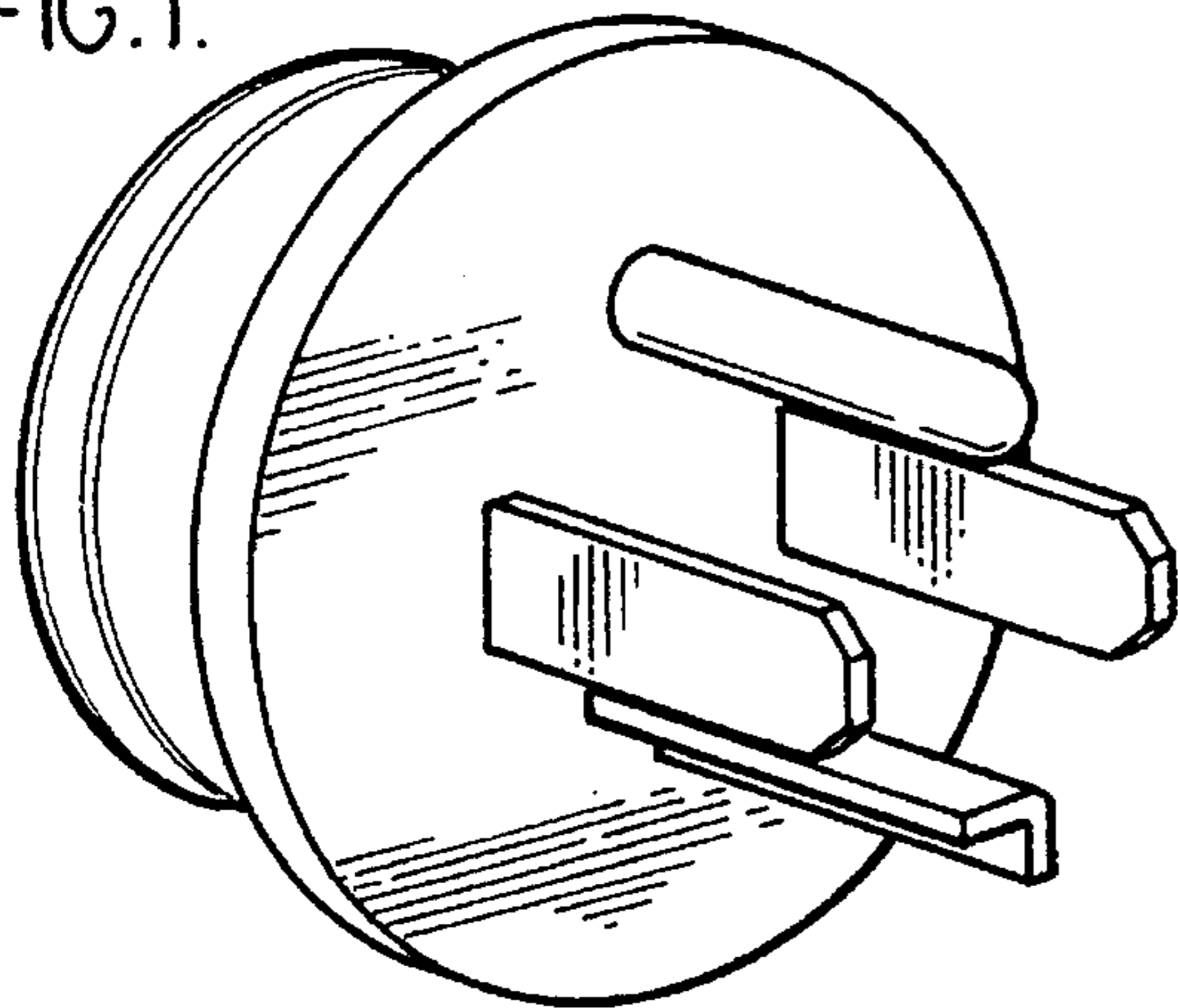


FIG.2.

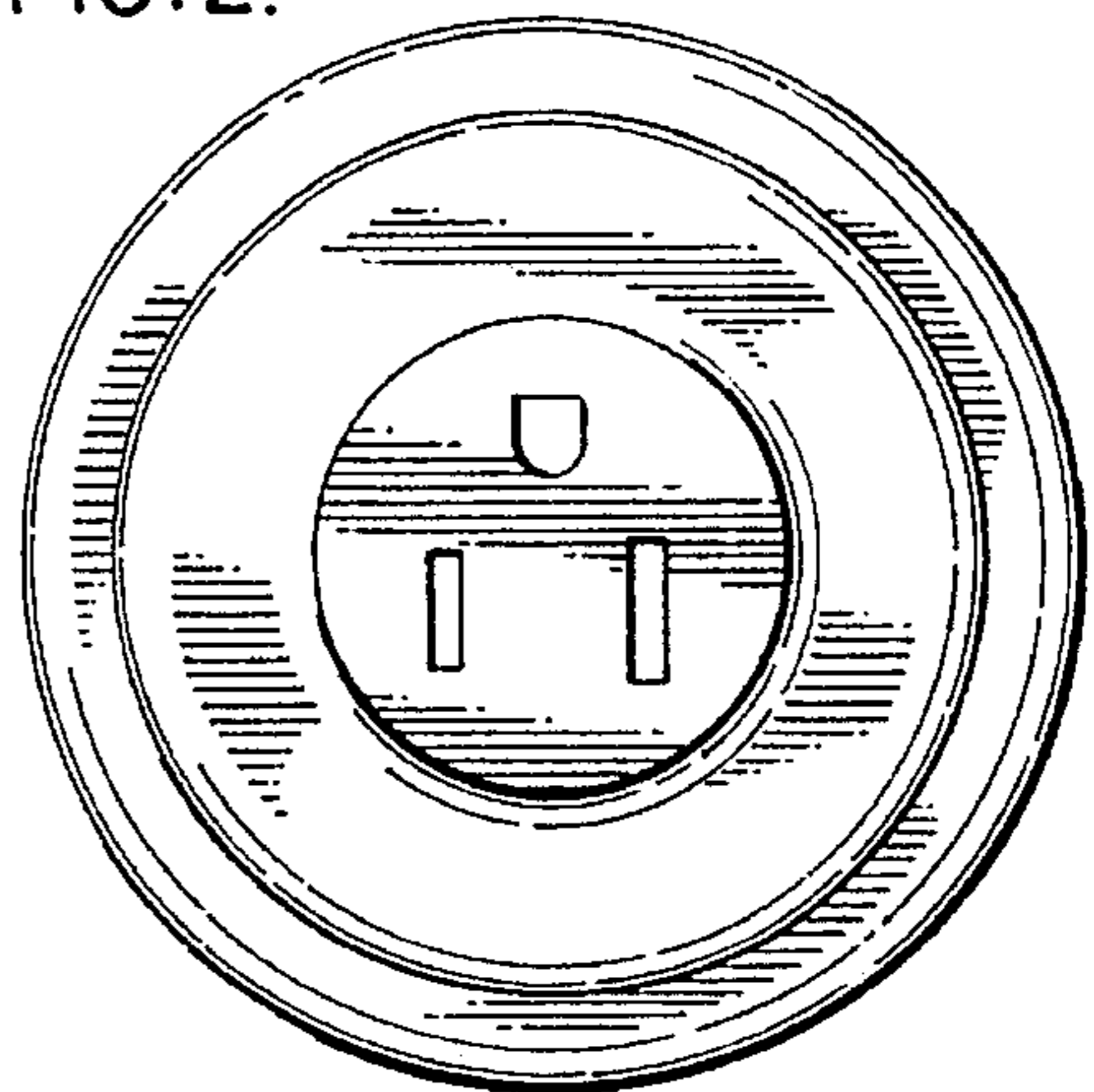


FIG.3.

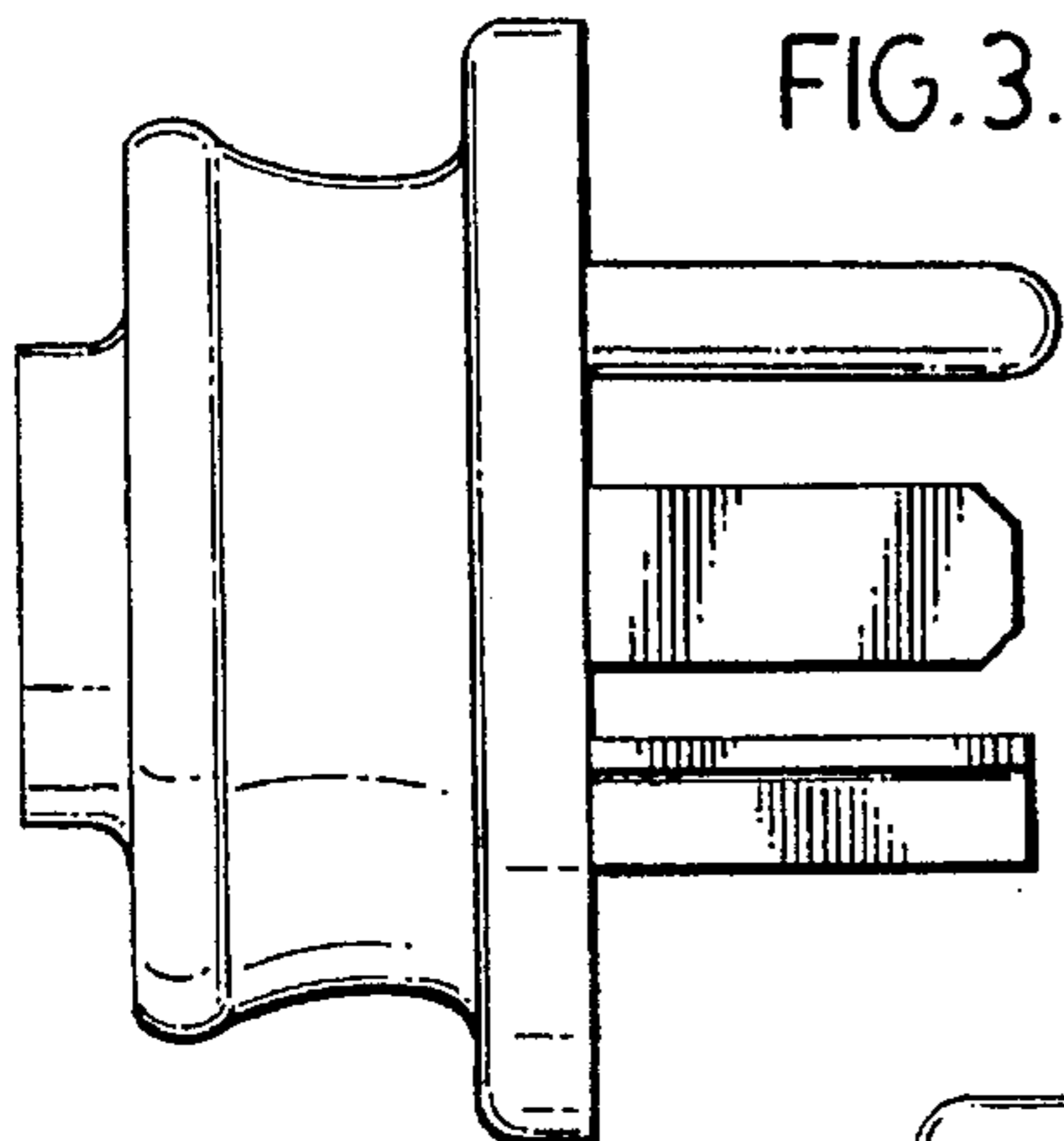


FIG.5.

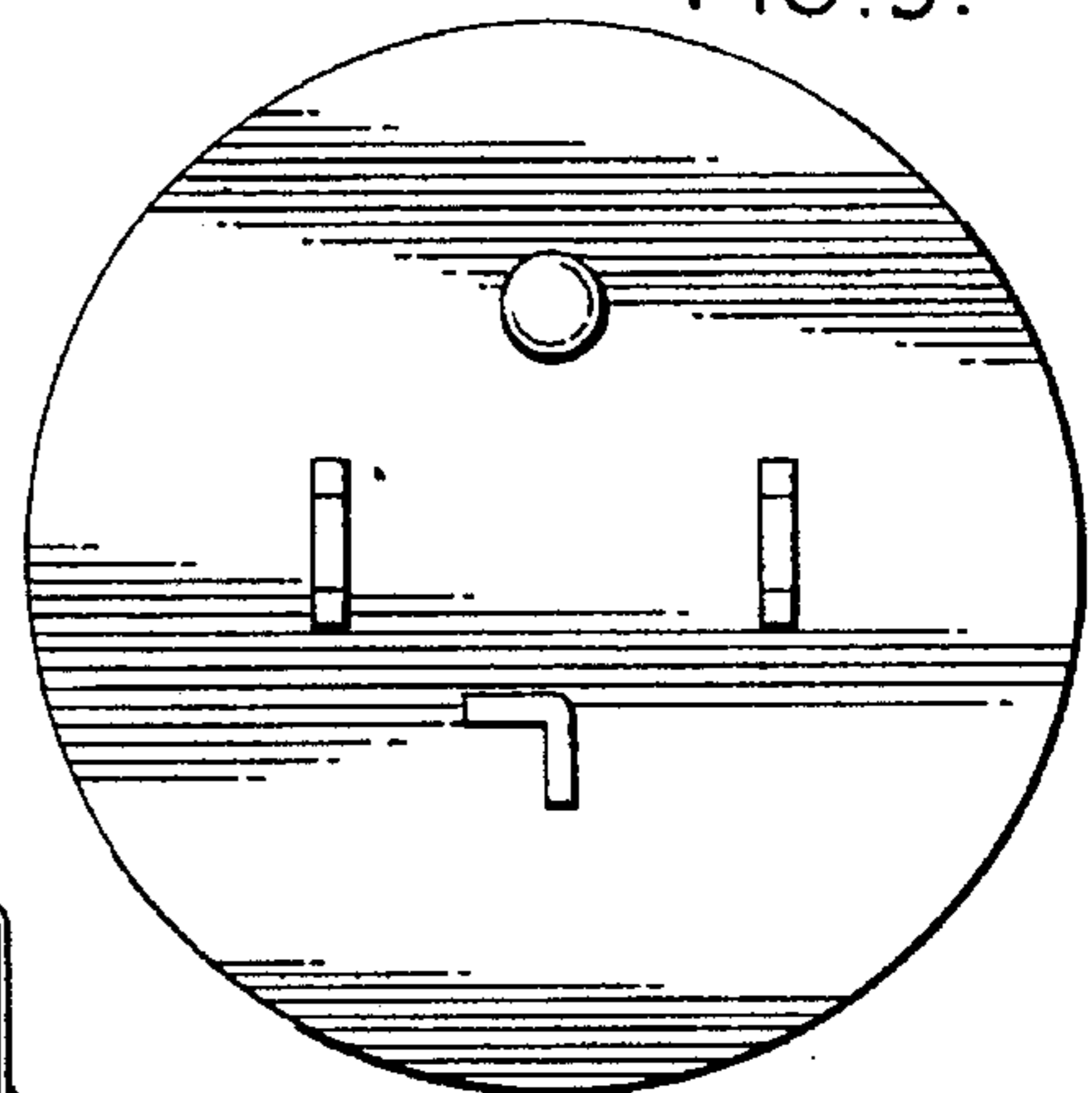
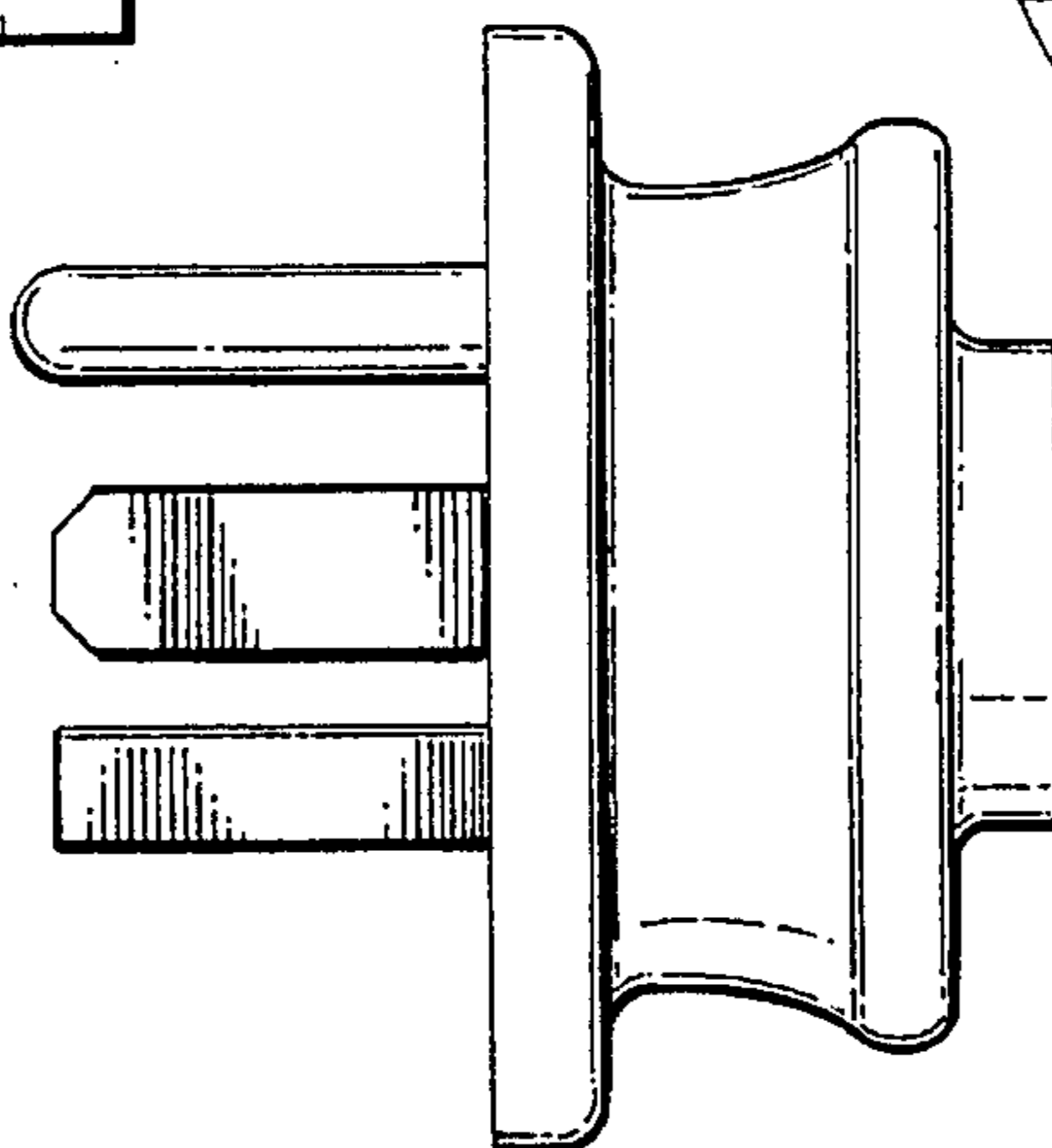


FIG.4.



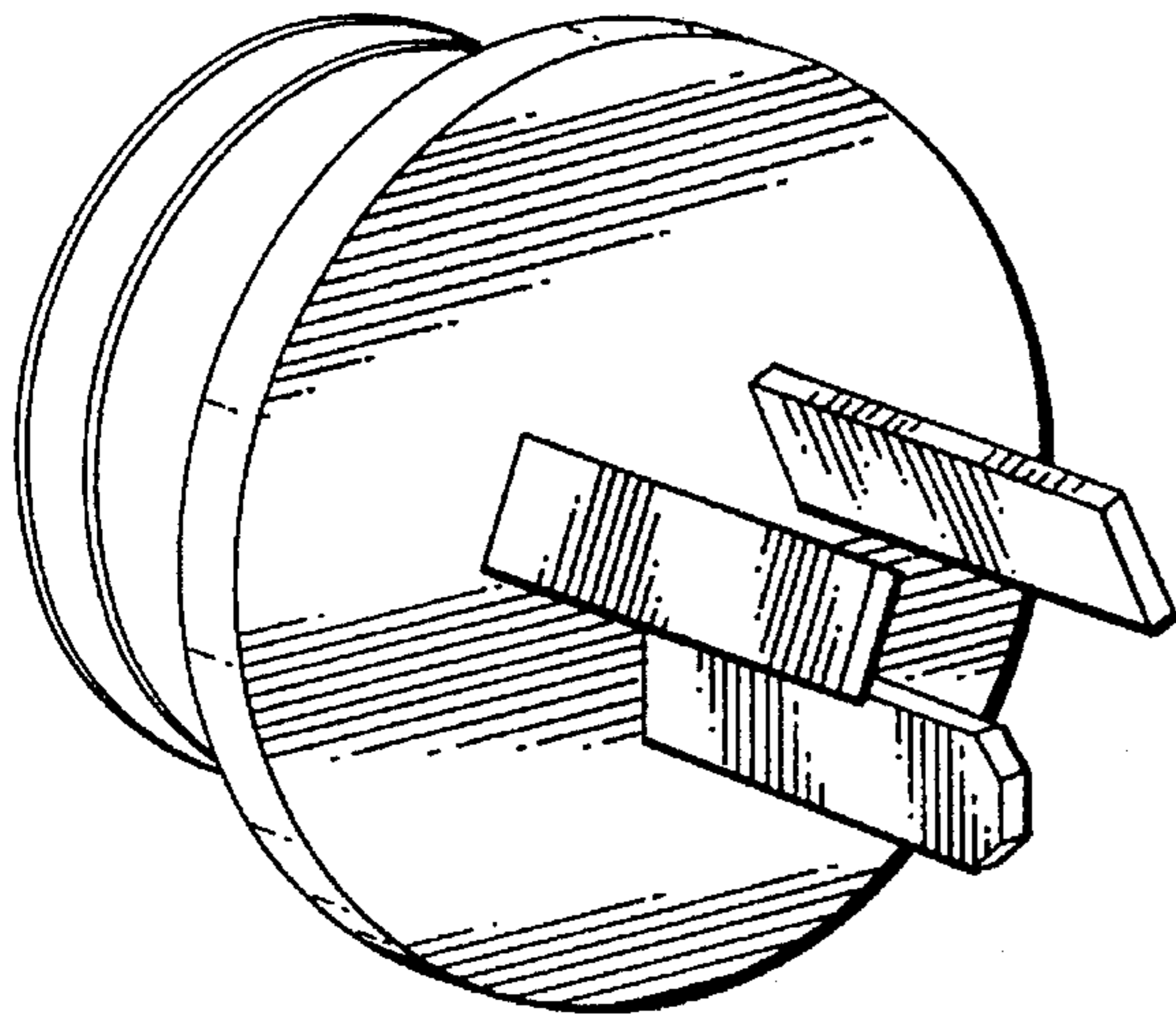


FIG. 6.

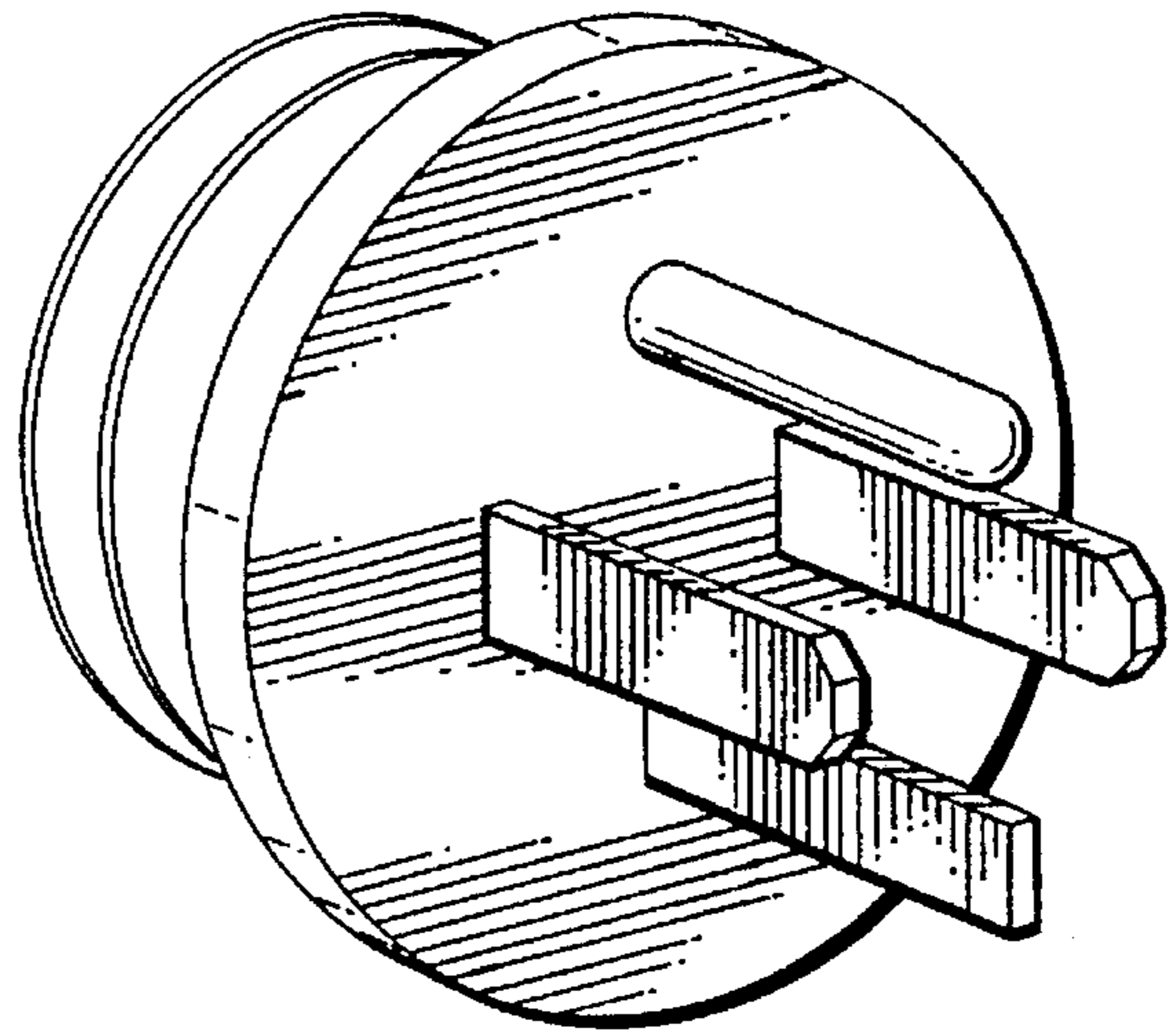


FIG. 7.

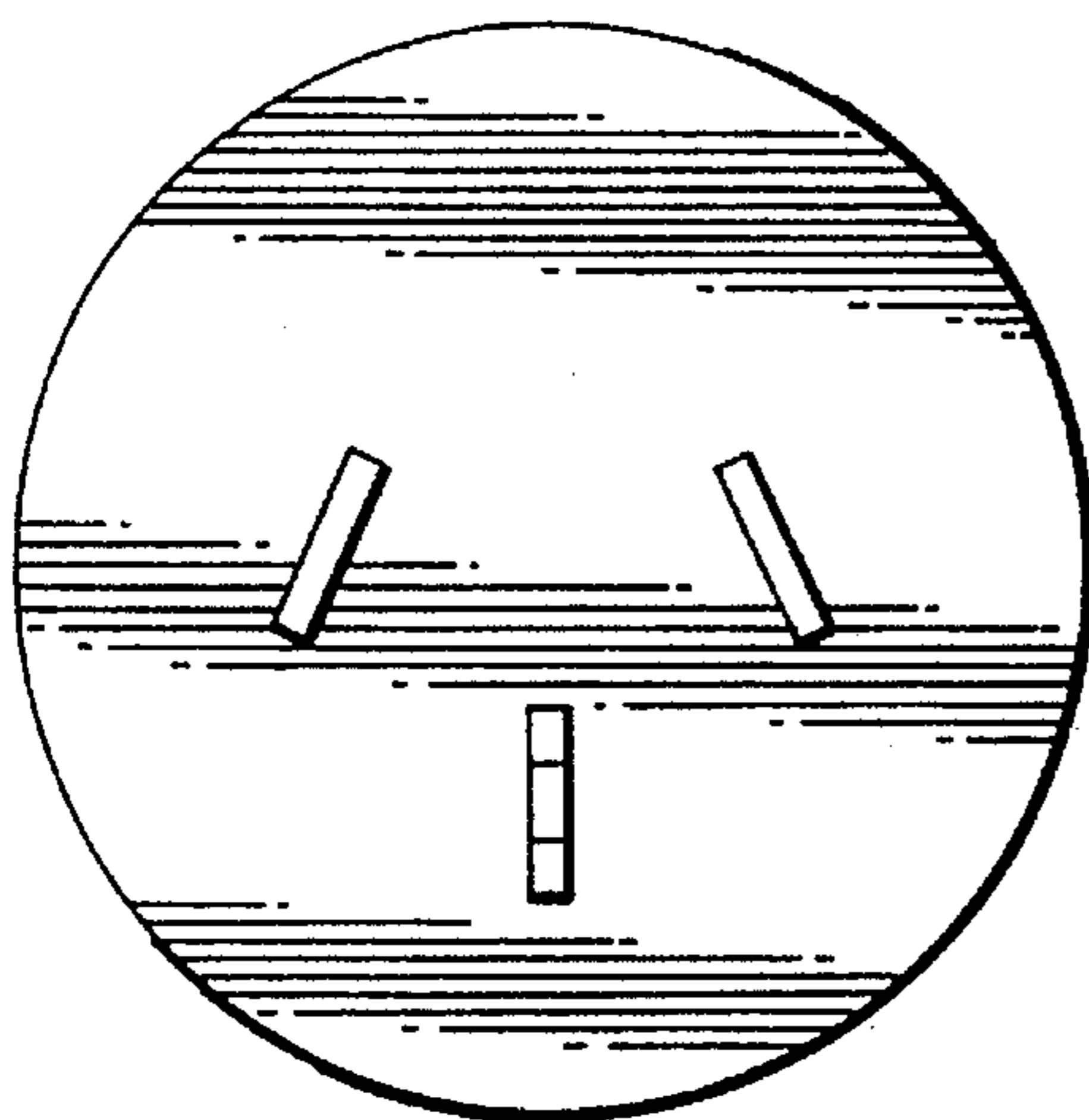


FIG. 8.

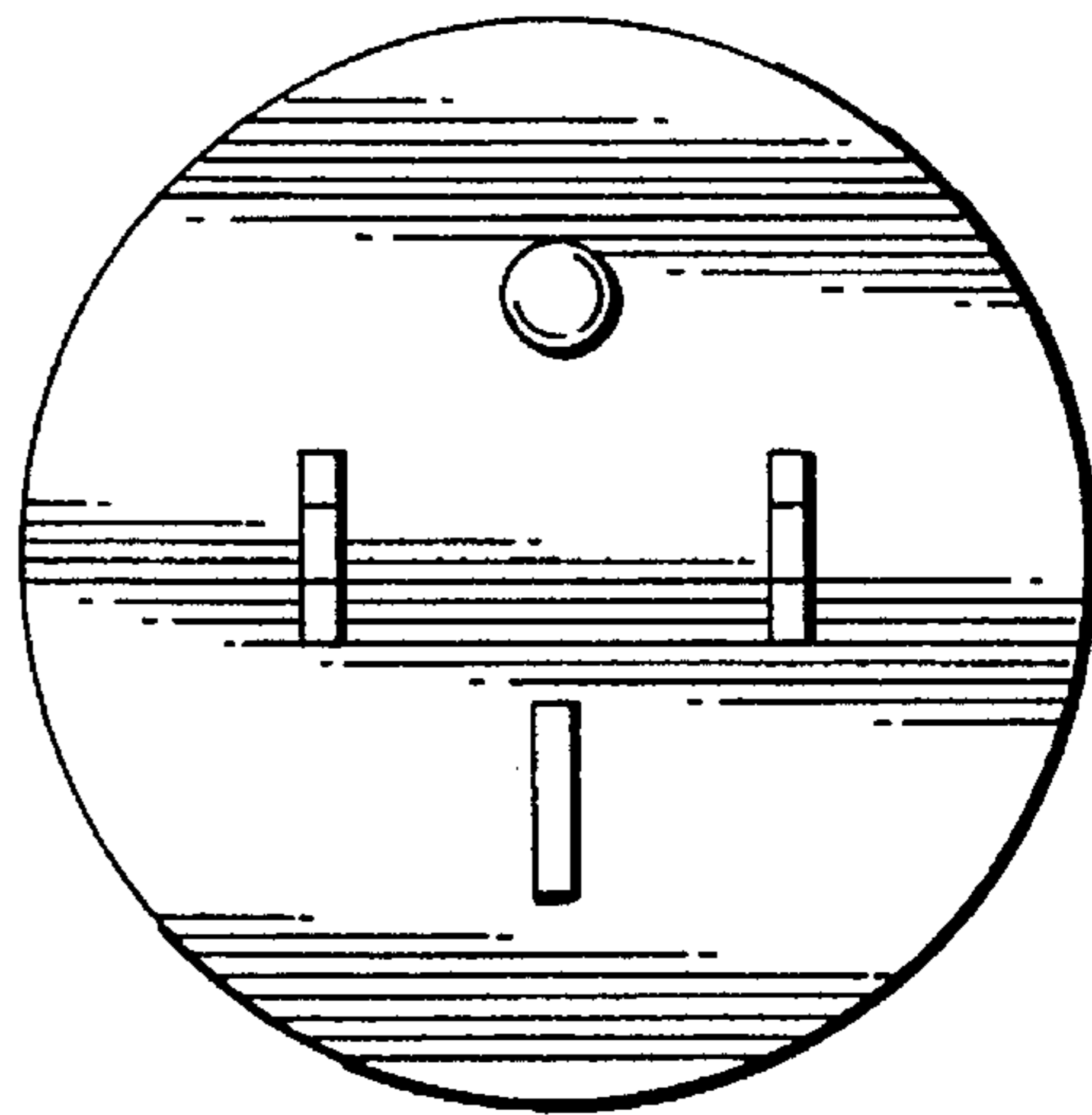


FIG. 9.