



US00D375291S

United States Patent [19] Cheung

[11] Patent Number: **Des. 375,291**
[45] Date of Patent: ****Nov. 5, 1996**

[54] **HOUSING FOR A PIVOTING ELECTRICAL PLUG**

5,399,093 3/1995 Schneider et al. 439/21

[75] Inventor: **Tat Kwong Cheung**, Kowloon, Hong Kong

Primary Examiner—Joel Sincavage
Attorney, Agent, or Firm—Samuels, Gauthier, Stevens & Reppert

[73] Assignee: **Koontat Development Company Ltd.**, Hong Kong

[57] **CLAIM**

[**] Term: **14 Years**

The ornamental design for a housing for a pivoting electrical plug, as shown and described.

[21] Appl. No.: **50,818**

DESCRIPTION

[22] Filed: **Feb. 27, 1996**

[52] U.S. Cl. **D13/138; D13/141**

[58] Field of Search D13/138, 141; D26/63; 439/20, 21, 484, 692, 694

FIG. 1 is a perspective view of a housing for a pivoting electrical plug showing my new design; FIG. 2 is a perspective view with attachment body in alternative position; FIG. 3 is a front elevational view thereof; FIG. 4 is a rear elevational view thereof; FIG. 5 is a side view thereof (other side corresponds); FIG. 6 is a top plan view thereof; and, FIG. 7 is a bottom plan view thereof.

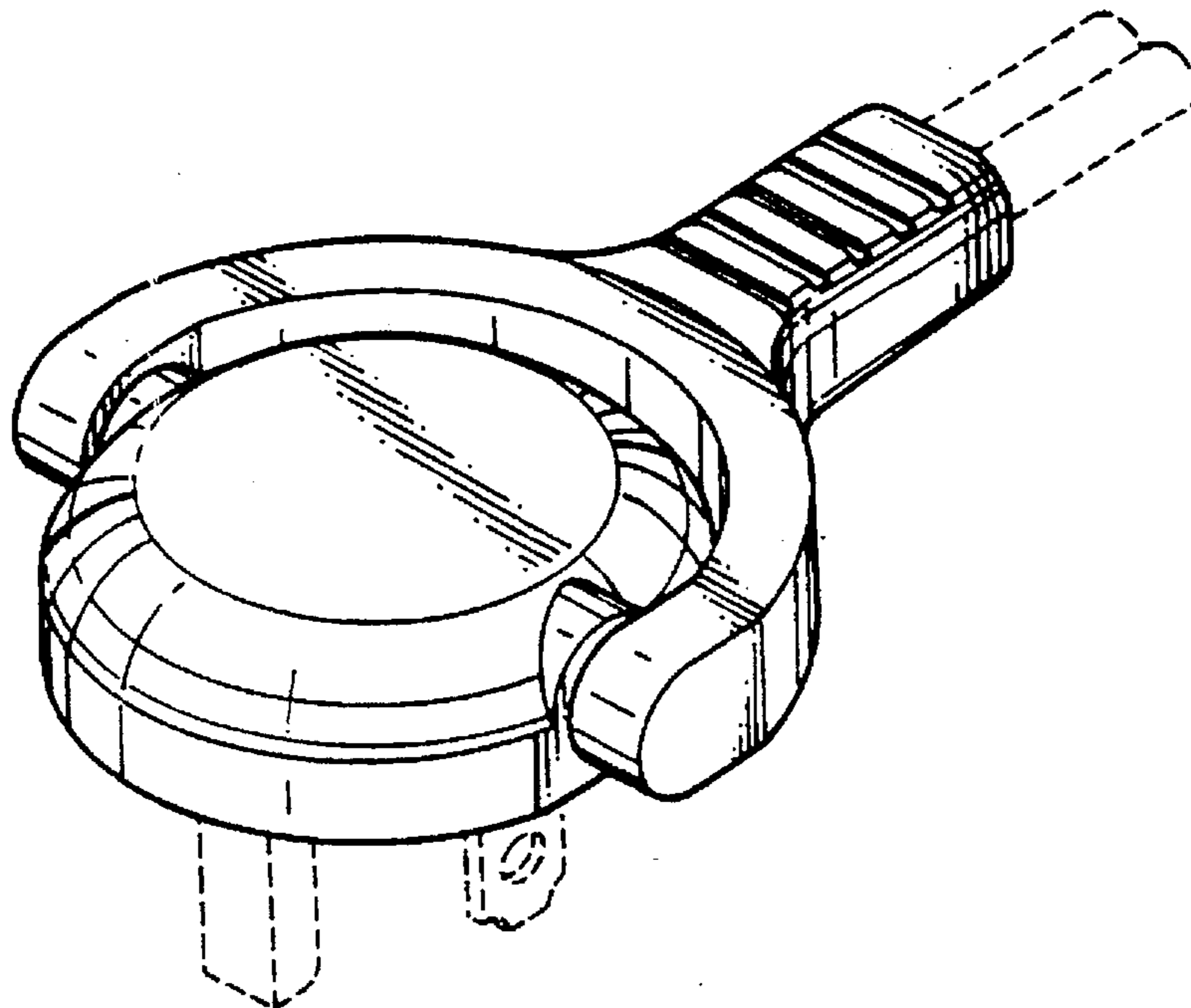
[56] **References Cited**

U.S. PATENT DOCUMENTS

D. 260,299	8/1981	D'Ercoli	D26/63
D. 330,009	10/1992	Dickie	D13/143 X
D. 362,228	9/1995	Hedrick	D13/138
D. 365,083	12/1995	Hedrick	D13/138
4,857,013	8/1989	Peters	D13/694 X
4,927,376	5/1990	Dickie	439/694 X

The broken line showing the electrically conductive pins and electrical wire is included for the purpose of illustrating environmental elements only and forms no part of the claimed design.

1 Claim, 2 Drawing Sheets



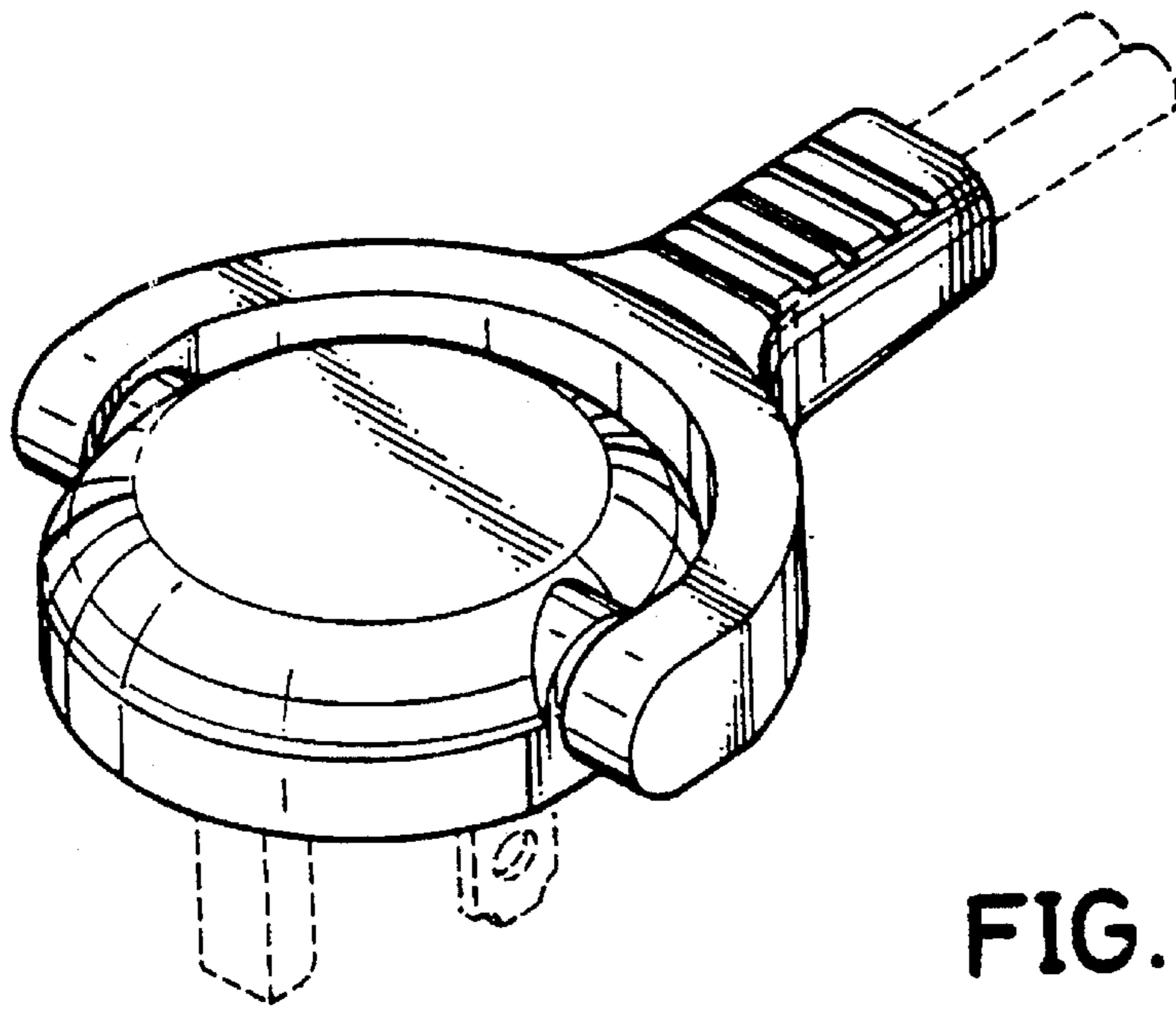


FIG. 1

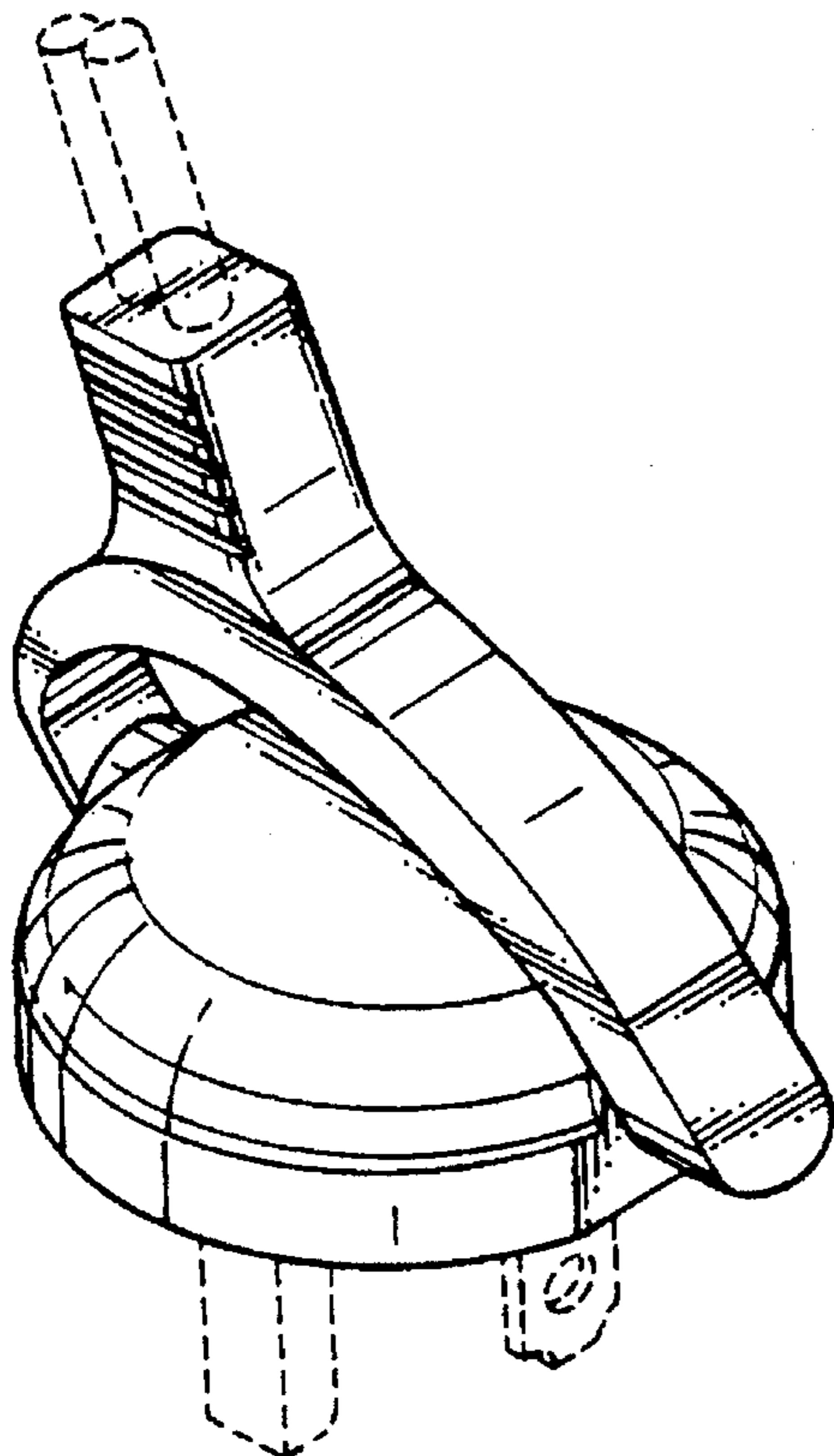


FIG. 2

FIG. 6

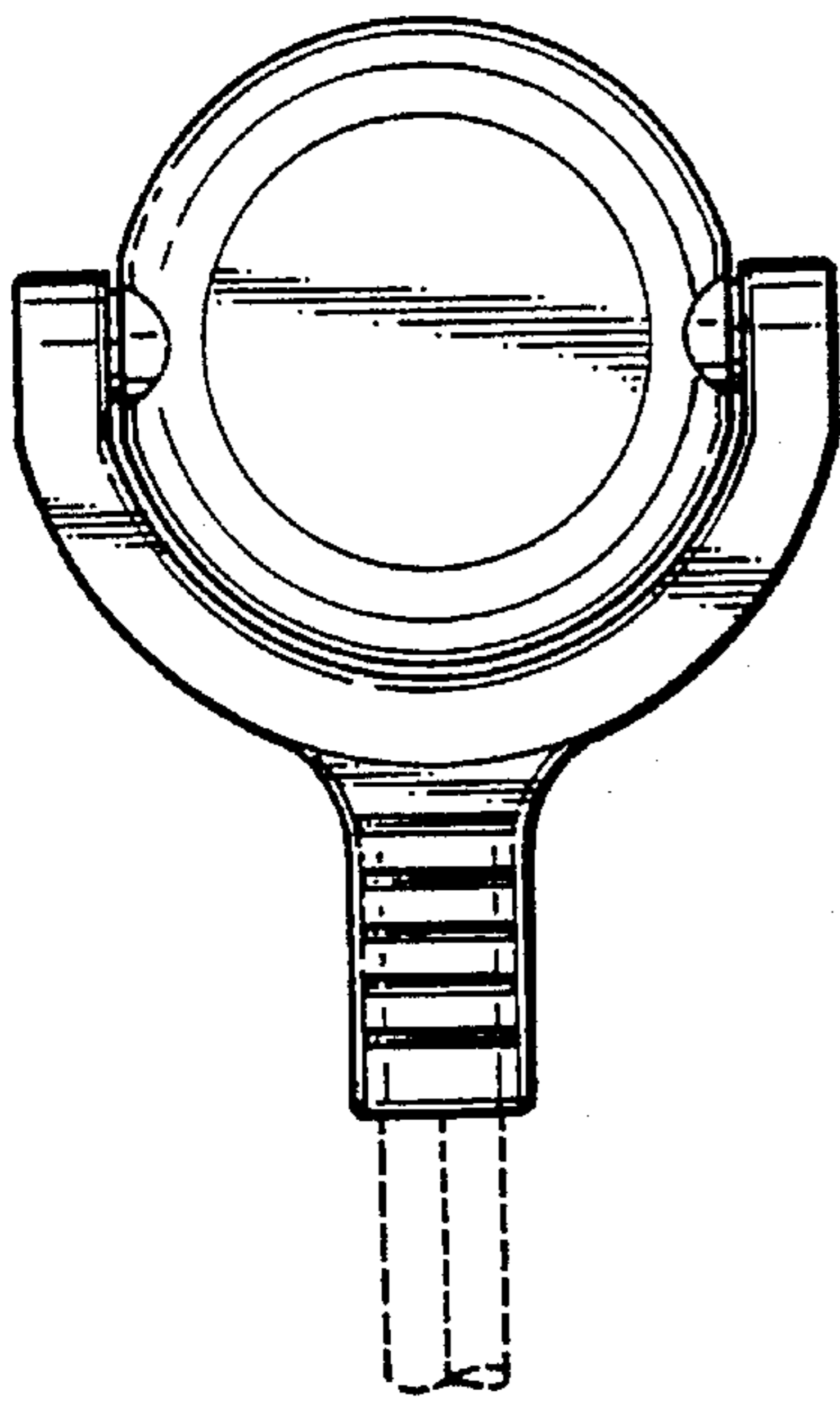
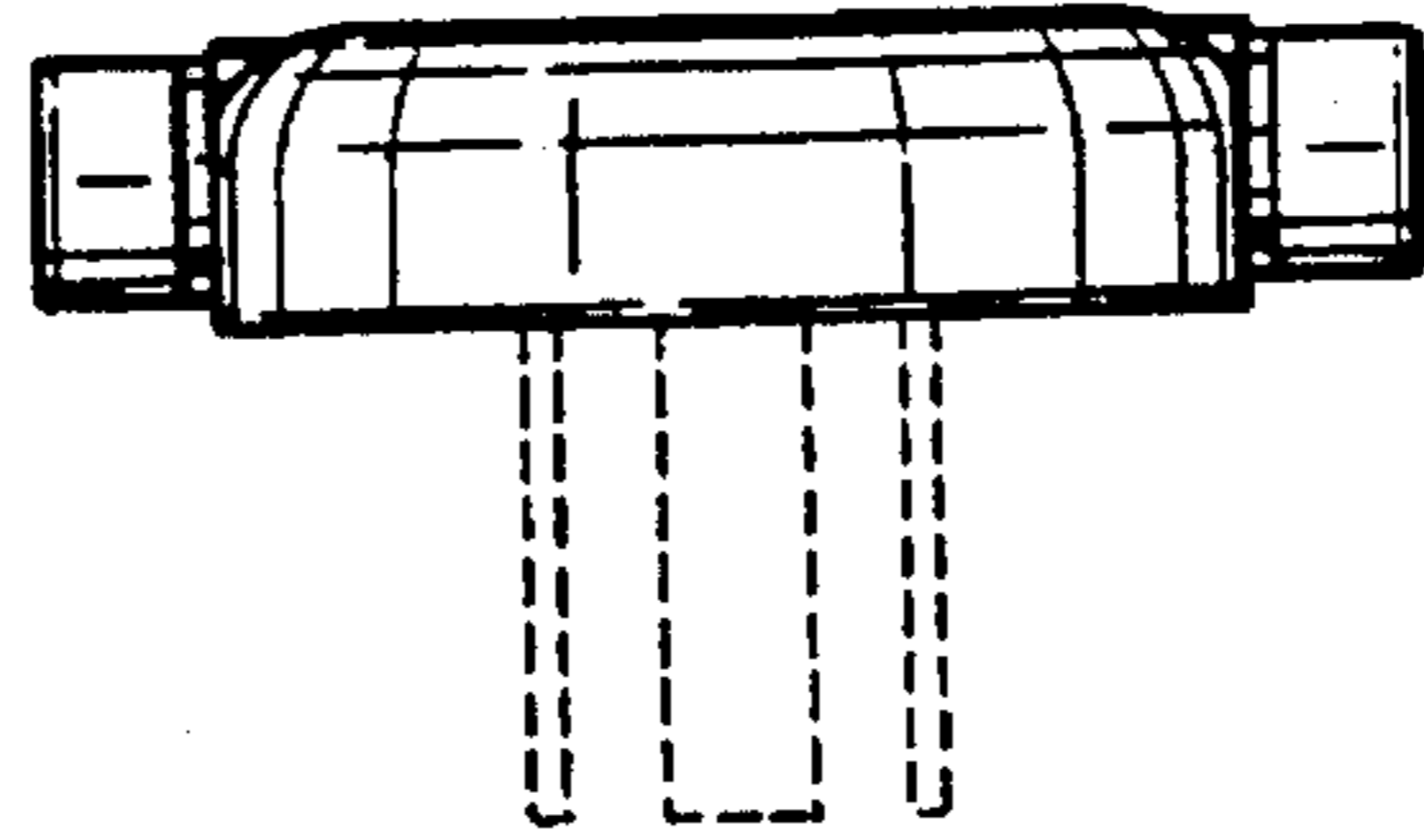


FIG. 4

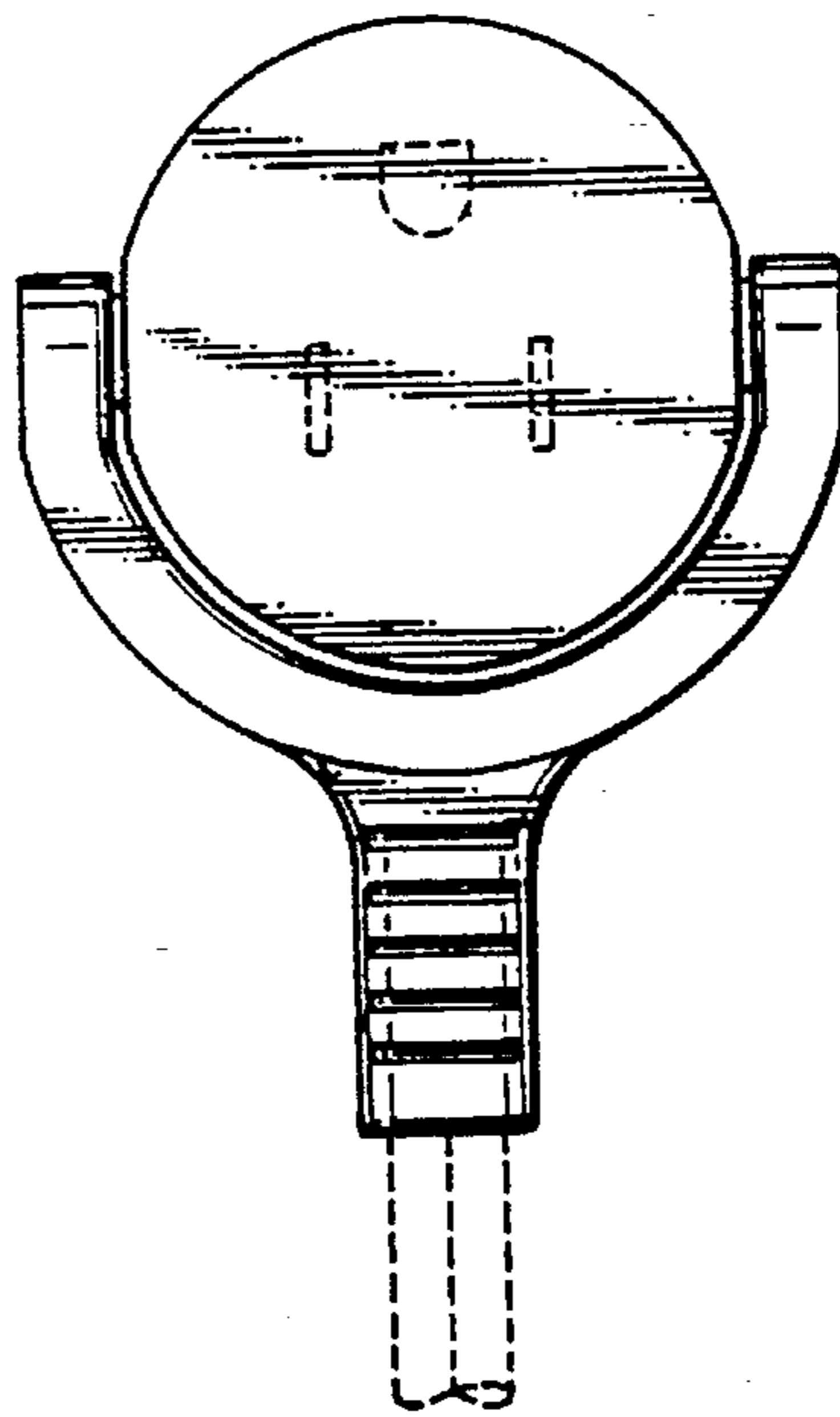


FIG. 3

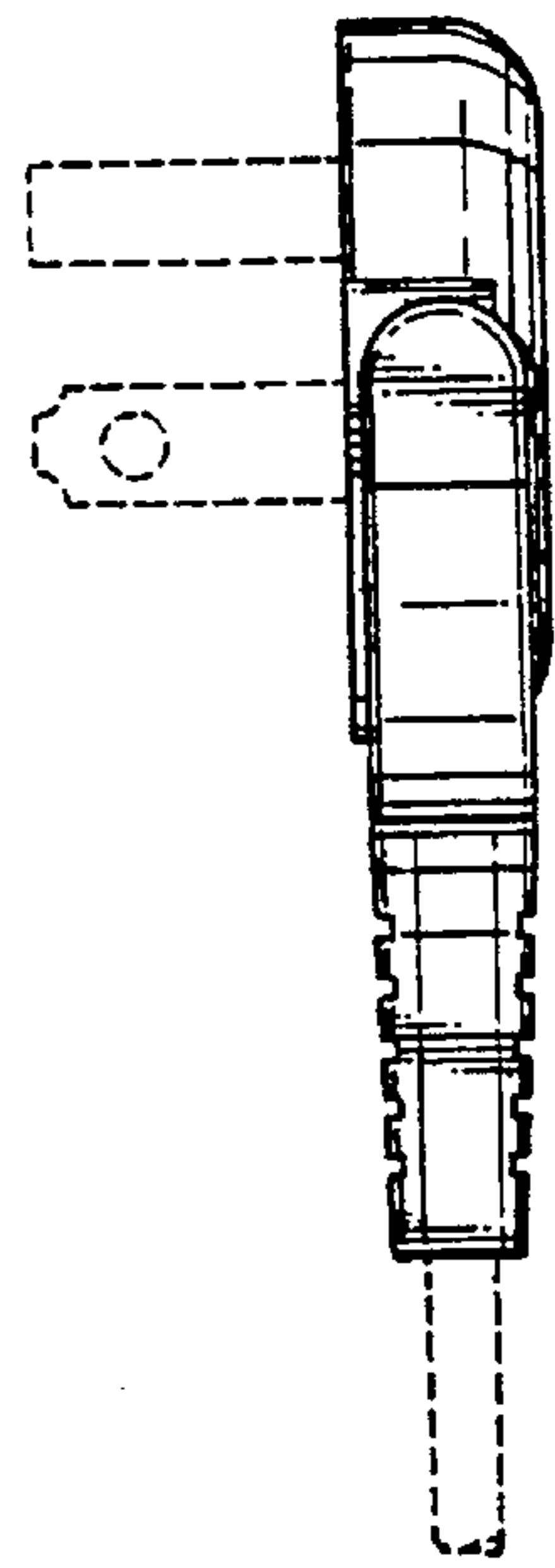


FIG. 5

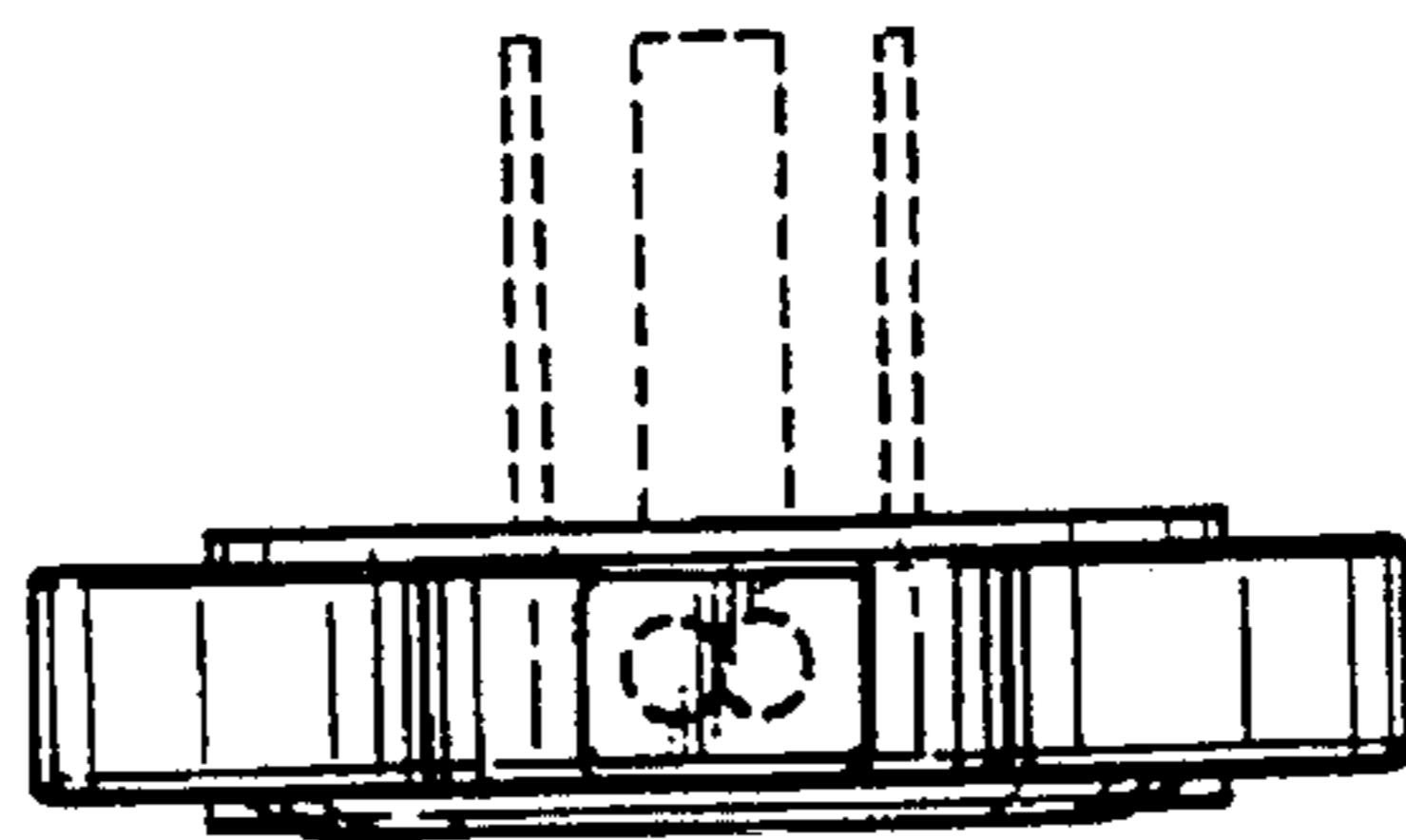


FIG. 7