



US00D375290S

United States Patent [19]
Hall

[11] **Patent Number:** **Des. 375,290**

[45] **Date of Patent:** ****Nov. 5, 1996**

[54] **COMBINATION BOAT SIDE STEPS AND LOCKER**

5,107,957 4/1992 Bennett 312/235.1

[76] **Inventor:** **David E. Hall**, 2085 S. Sylvan, West Linn, Oreg. 97068

Primary Examiner—Kay H. Chin

Attorney, Agent, or Firm—Klarquist Sparkman Campbell Leigh & Whinston

[**] **Term:** **14 Years**

[57] **CLAIM**

[21] **Appl. No.:** **46,621**

The ornamental design for a combination boat side steps and locker, as shown and described.

[22] **Filed:** **Oct. 16, 1995**

DESCRIPTION

[52] **U.S. Cl.** **D12/318; D25/62**

[58] **Field of Search** **D12/317, 318; D25/62, 63, 64; D6/439, 434; 114/434; 312/235.1, 215**

FIG. 1 is a perspective front and left side view of a combination boat side steps and locker showing my new design;

FIG. 2 is a perspective view of the right and rear sides thereof;

FIG. 3 is a front elevation view thereof;

FIG. 4 is a right side elevation view thereof, the left side elevation view being a mirror image thereof; and,

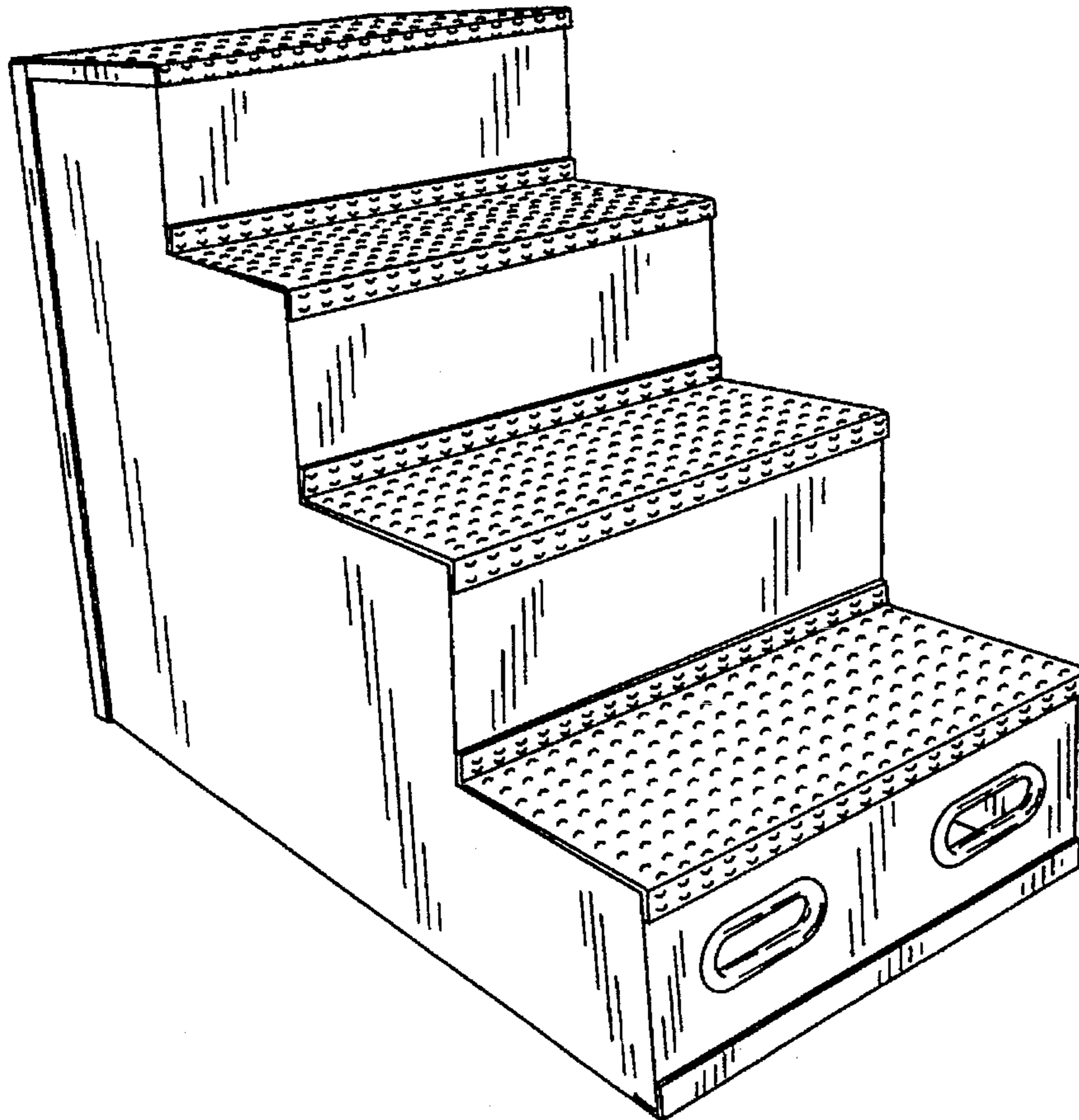
FIG. 5 is a rear elevation view thereof.

[56] **References Cited**

U.S. PATENT DOCUMENTS

D. 283,168	3/1986	Daly	D25/62
2,495,374	1/1950	Horn	312/235.1
3,578,110	5/1971	Seagraves	182/129
5,094,505	3/1992	Nichols	297/118

1 Claim, 1 Drawing Sheet



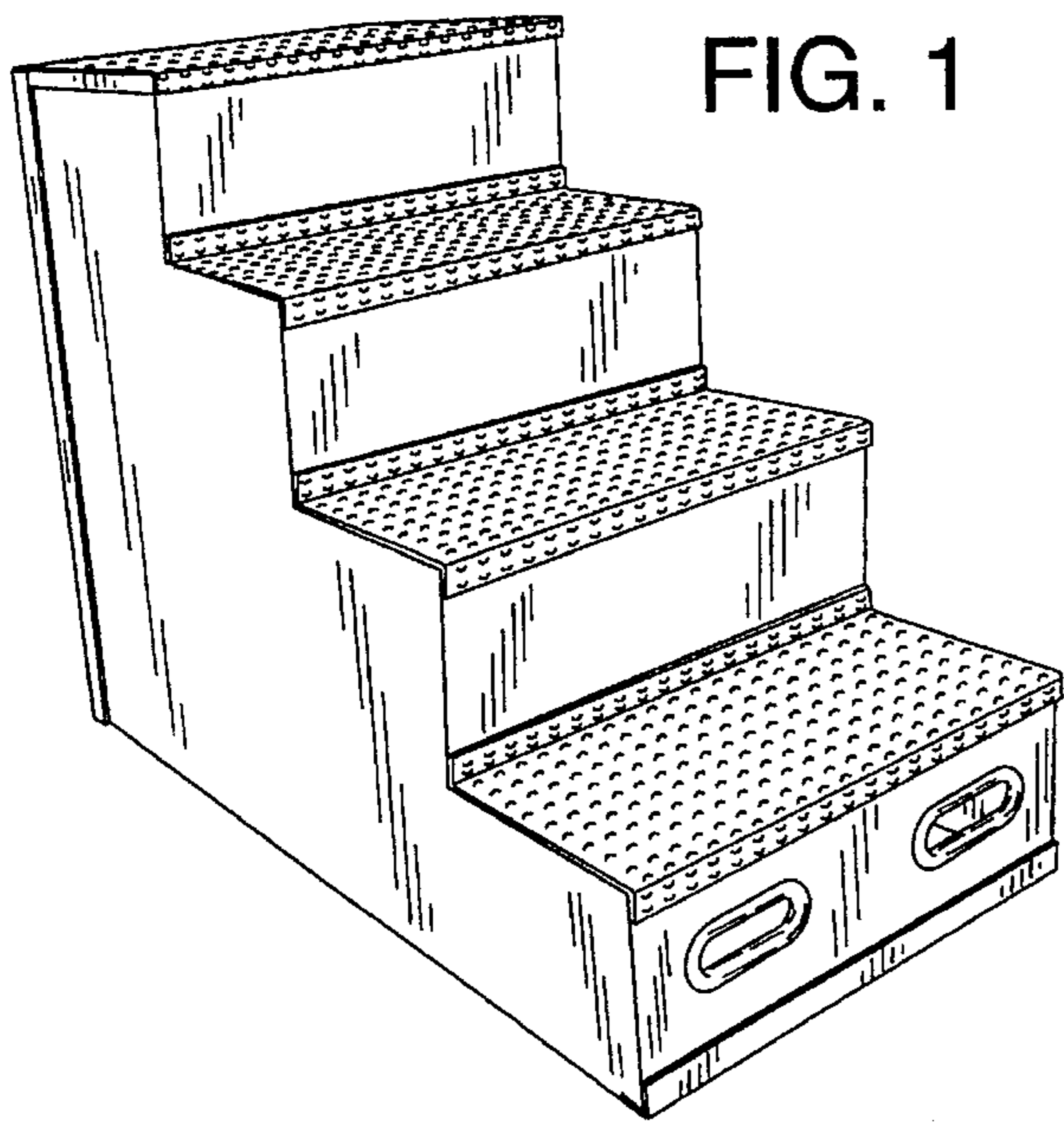


FIG. 1

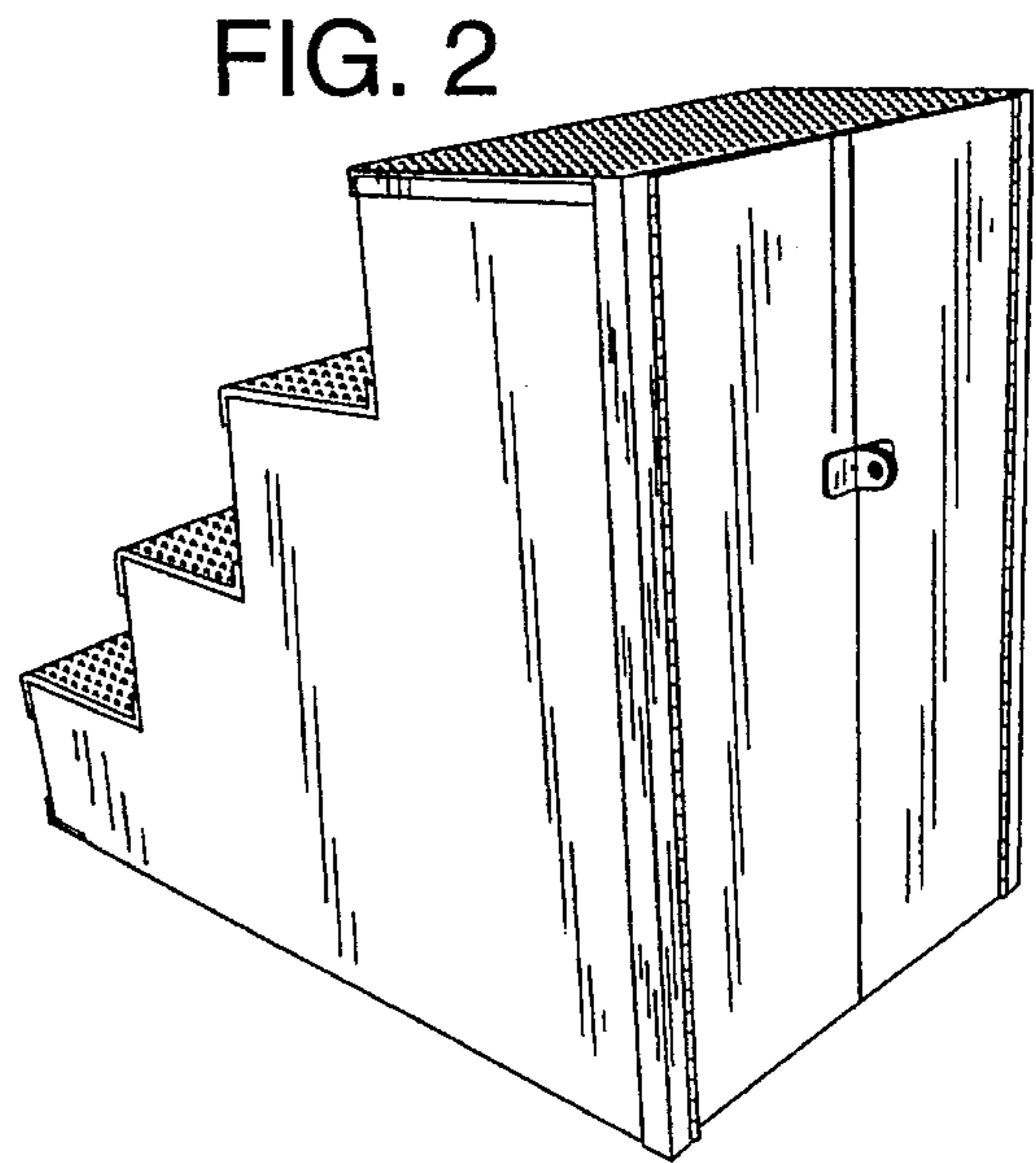


FIG. 2

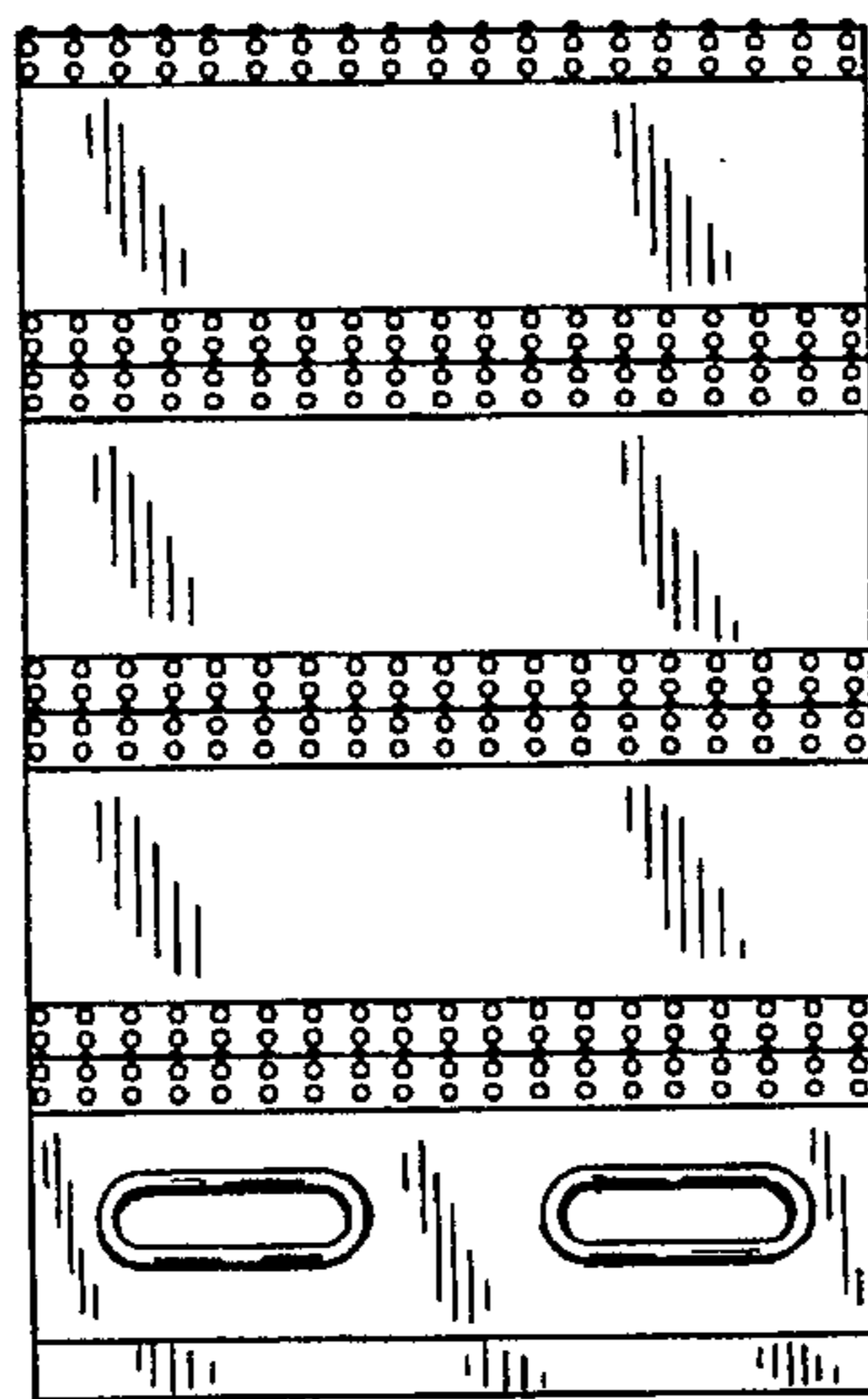


FIG. 3

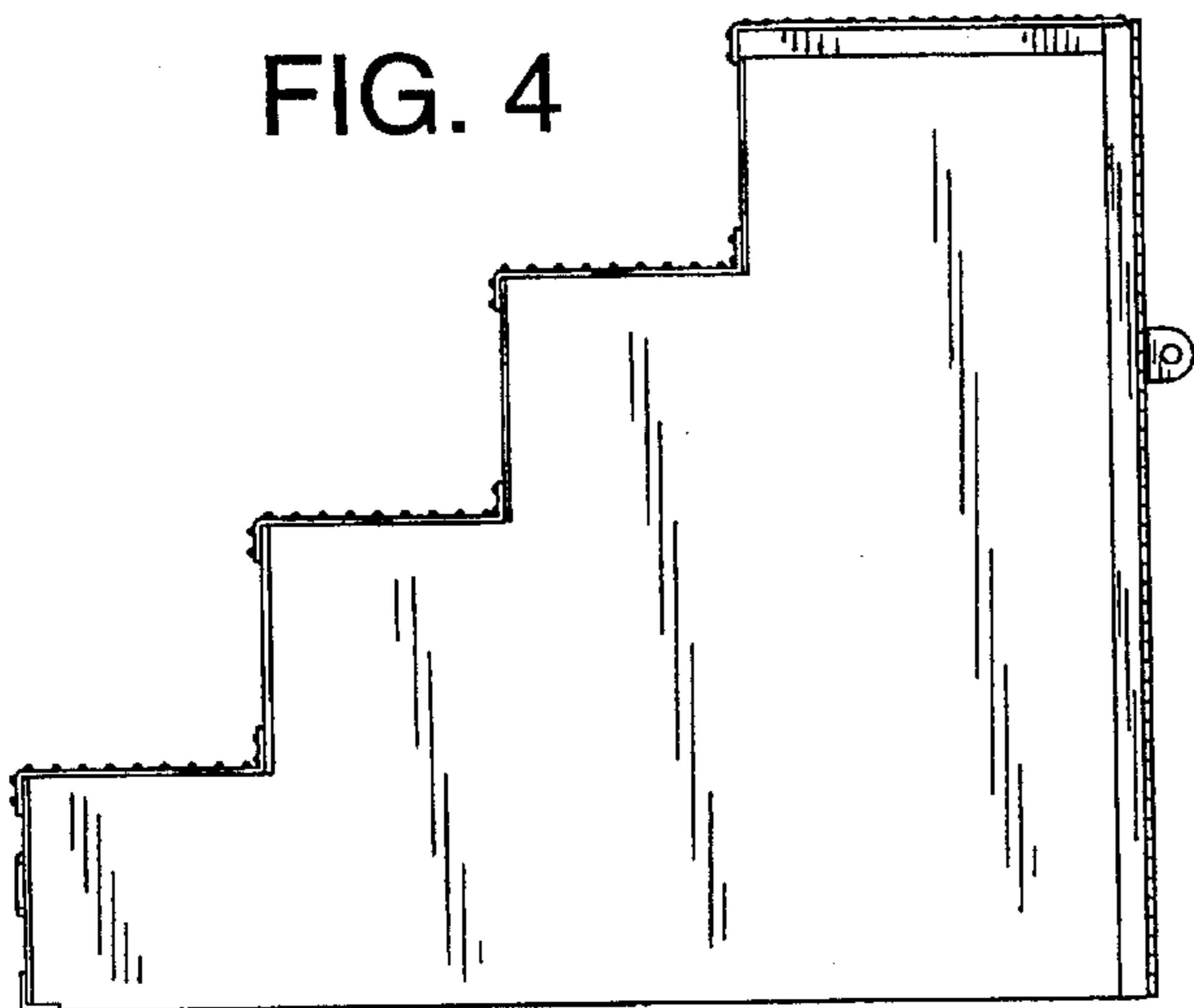


FIG. 4

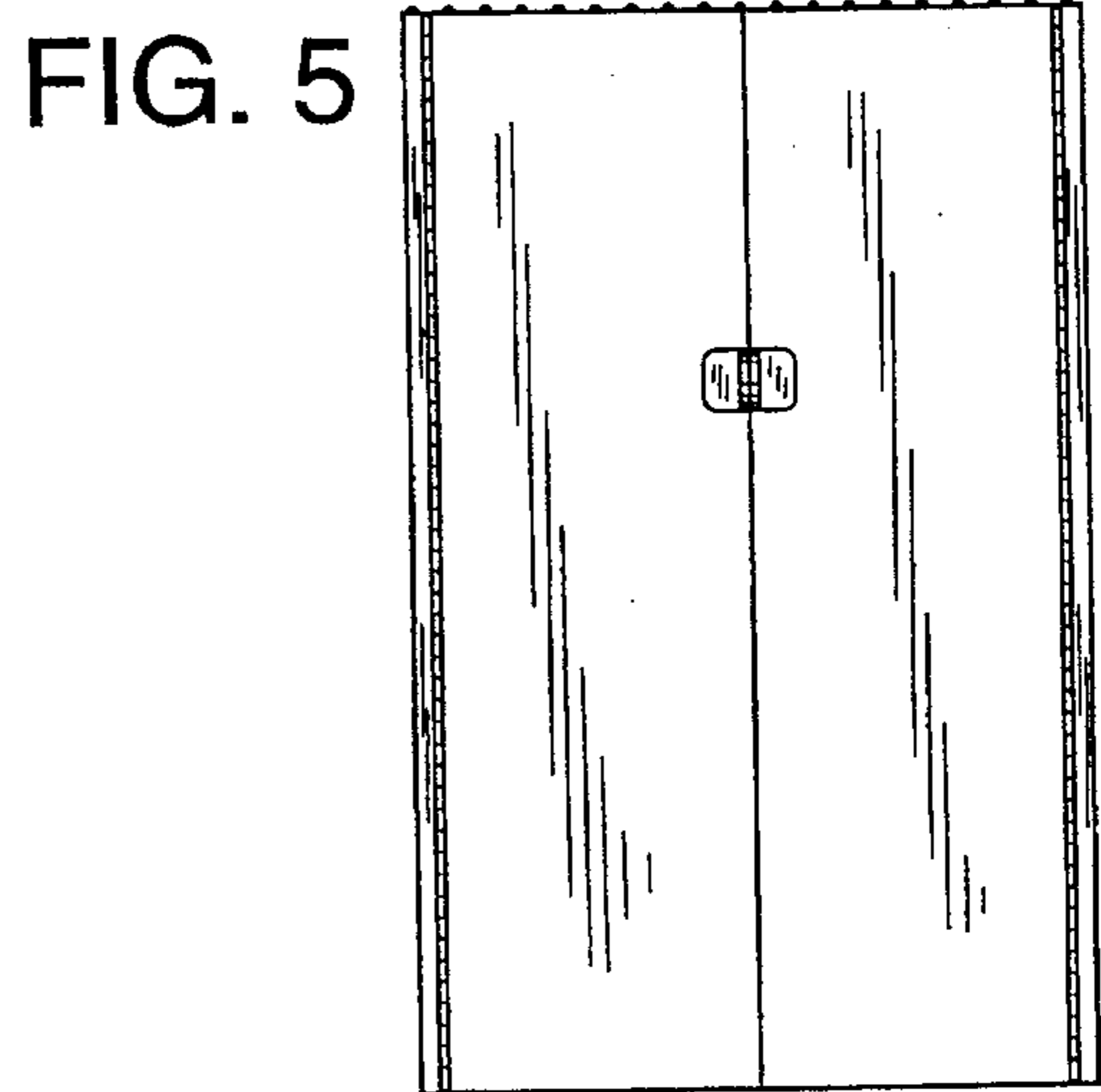


FIG. 5