



US00D375289S

# United States Patent [19]

Waselewski et al.

[11] Patent Number: **Des. 375,289**

[45] Date of Patent: **\*\*Nov. 5, 1996**

[54] **COMBINED ELECTRICALLY HEATED WINDSHIELD WIPER AND COILED ELECTRICAL CORD**

[76] Inventors: **Stanley M. Waselewski**, P.O. Box 962, Howe, Tex. 75459; **Charles S. Handley**, P.O. Box 117, Tom Bean, Tex. 75489; **Bobby G. Martinek**, 503 Bois 'D Arc, Whitesboro, Tex. 76273

[\*\*] Term: **14 Years**

[21] Appl. No.: **24,624**

[22] Filed: **Jun. 17, 1994**

[52] U.S. Cl. .... **D12/219**

[58] Field of Search ..... **D12/219-220; 15/250.05, 250.06, 250.07, 250.35, 250.36, 250.41, 250.42, 250.33, 250.32**

### [56] References Cited

#### U.S. PATENT DOCUMENTS

D. 324,014	2/1992	Ruminer	.....	D12/219
D. 341,115	11/1993	Papania	.....	D12/219
3,139,644	7/1964	Smith	.....	15/250.36 X
4,497,083	2/1985	Nielsen, Jr. et al.	.....	15/250.06
4,700,424	10/1987	Hagen	.....	15/250.05 X
5,383,247	1/1995	Nickel	.....	15/250.36 X

#### FOREIGN PATENT DOCUMENTS

1026650	2/1953	France	.....	15/250.36
2127282	4/1984	United Kingdom	.....	15/250.36

Primary Examiner—M. H. Tung  
Attorney, Agent, or Firm—Jerry C. Ray

### [57] CLAIM

The ornamental design for a combined electrically heated windshield wiper and coiled electrical cord, as shown and described.

### DESCRIPTION

FIG. 1 is a front elevation of a combined electrically heated windshield wiper and coiled electrical cord, the broken line drawing of a windshield wiper frame is for illustrative purposes only and forms no part of the claimed design;

FIG. 2 is a rear elevational view thereof, the broken line drawing of a windshield wiper frame is for illustrative purposes only and forms no part of the claimed design;

FIG. 3 is a fragmentary, top, front perspective view thereof, on an enlarged scale, the heated wiper blade is partially shown for clarity of illustration;

FIG. 4 is a left end view thereof, on an enlarged scale;

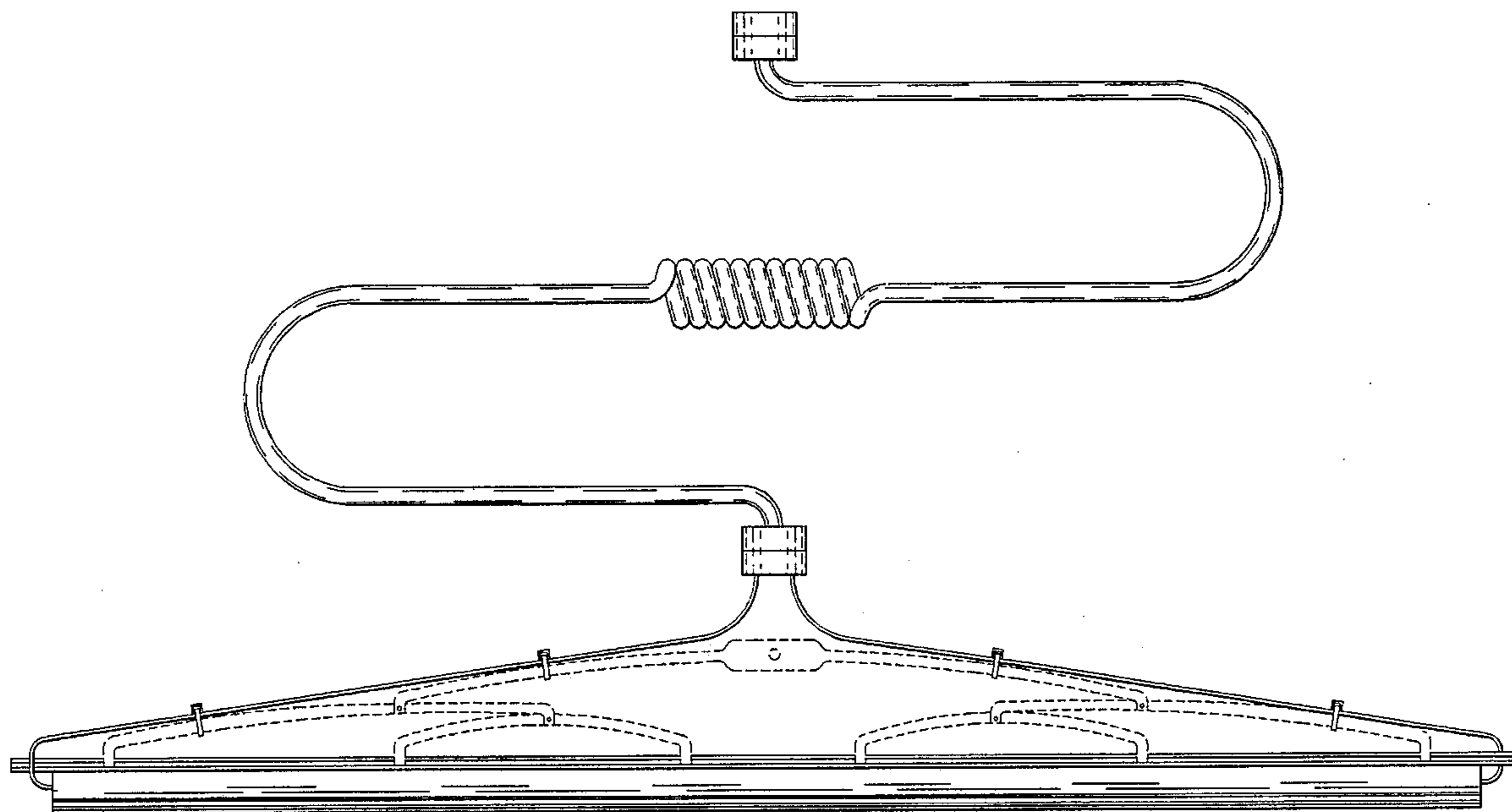
FIG. 5 is a fragmentary, top, rear perspective view thereof, on an enlarged scale, the heated wiper blade is partially shown for clarity illustration;

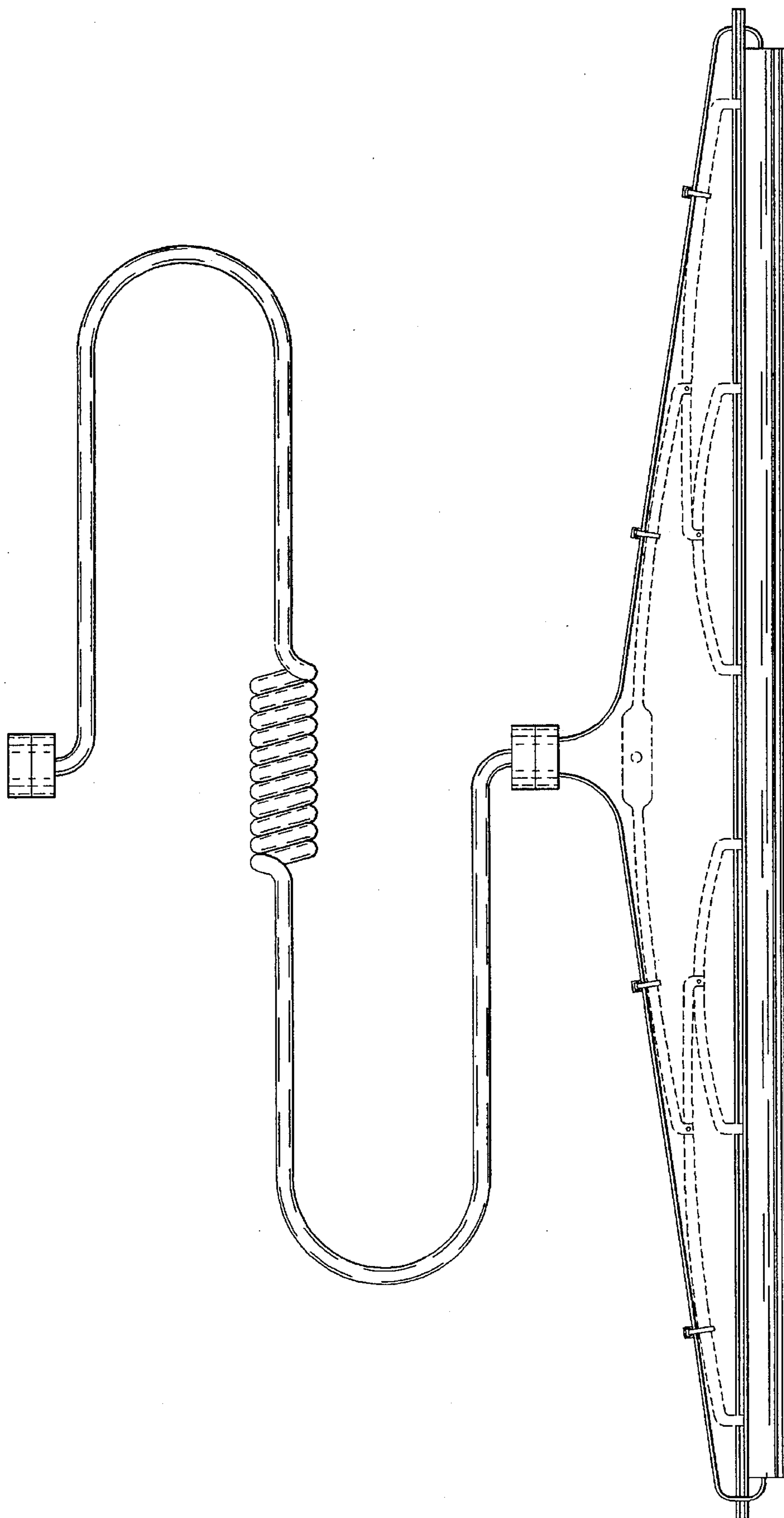
FIG. 6 is a right end view thereof, on an enlarged scale;

FIG. 7 is a top plan view thereof;

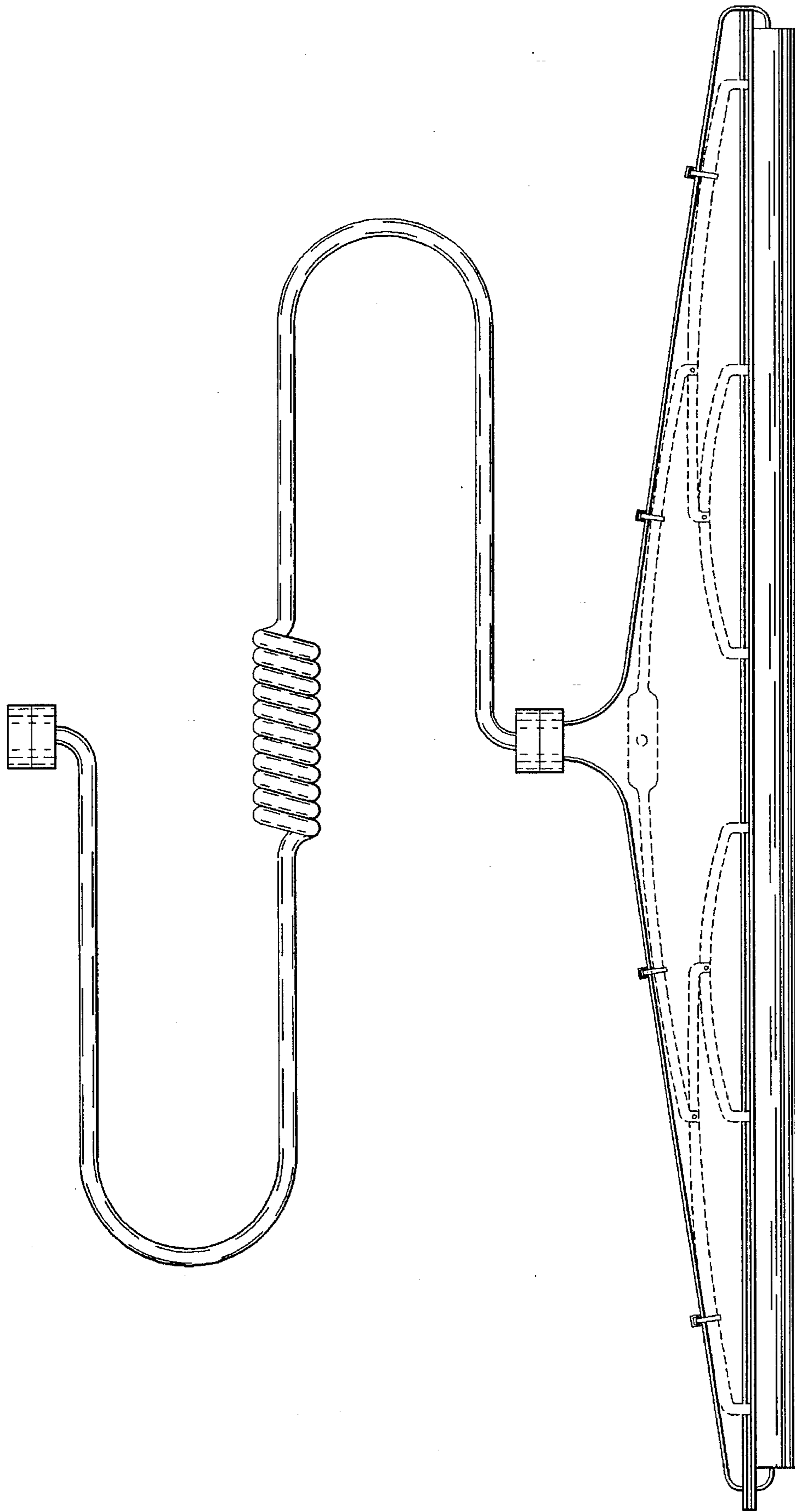
FIG. 8 is a bottom plan view thereof.

1 Claim, 5 Drawing Sheets



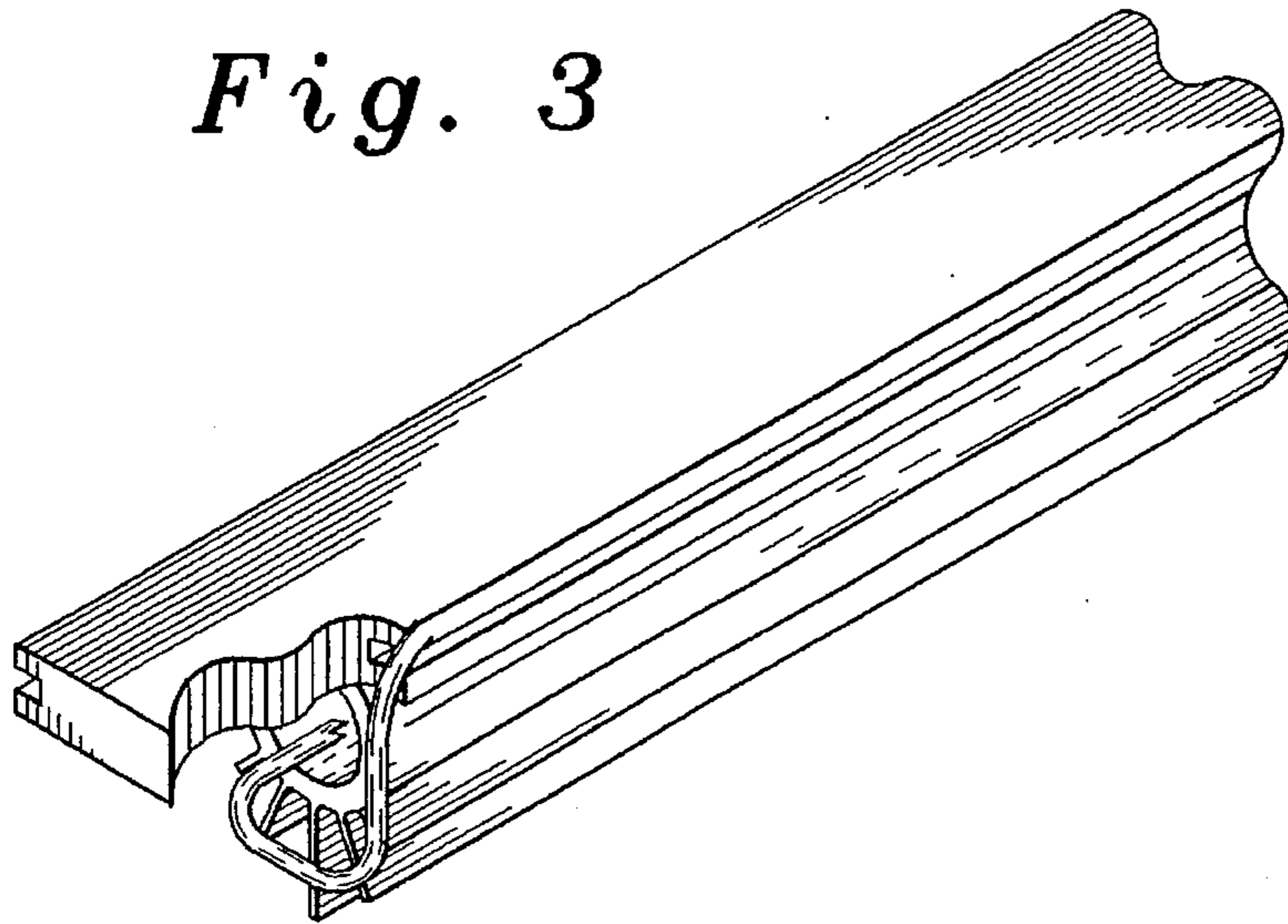


*Fig. 1*

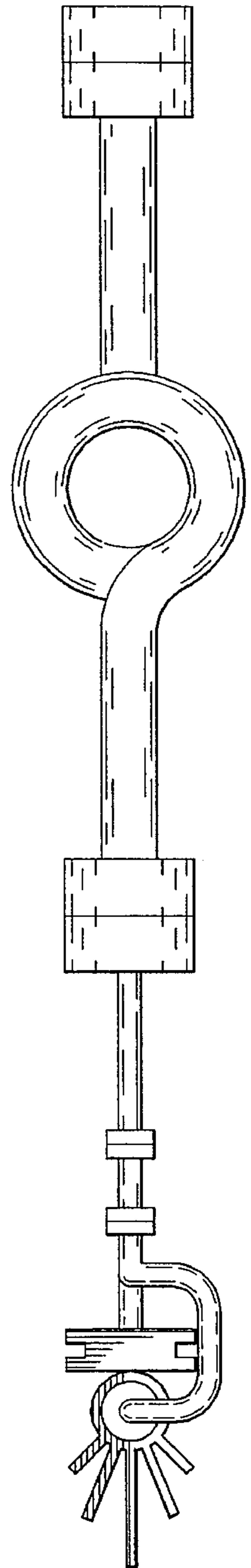


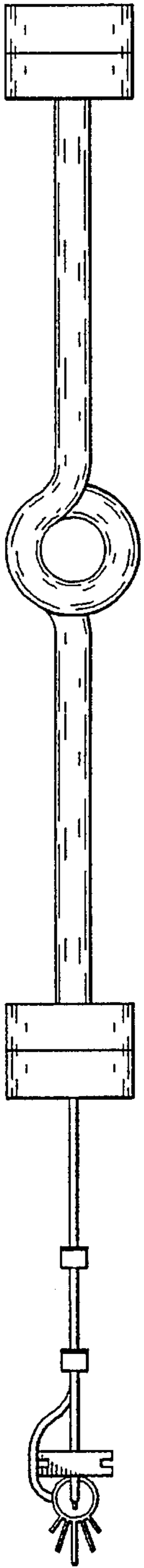
*Fig. 2*

*Fig. 3*

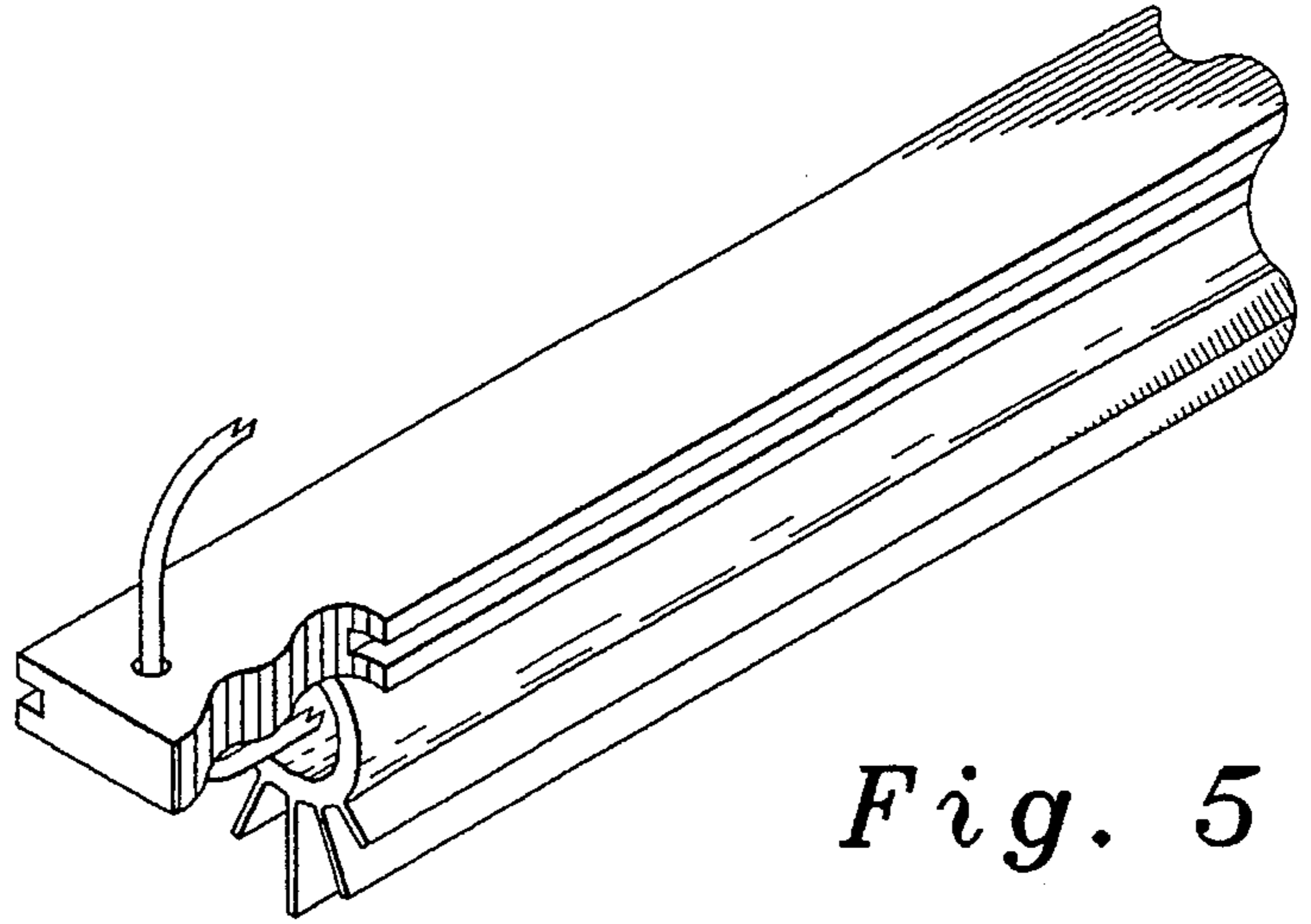


*Fig. 4*





*Fig. 6*



*Fig. 5*



*Fig. 7*



*Fig. 8*