



US00D375284S

United States Patent [19]

Kass et al.

[11] Patent Number: **Des. 375,284**

[45] Date of Patent: ****Nov. 5, 1996**

[54] **BALL MOUNT HEAD FOR TRAILER HITCH**

[75] Inventors: **John J. Kass, Granger, Ind.; Philip K. Hoopes, Union, Mich.**

[73] Assignee: **Reese Products, Inc., Elkhart, Ind.**

[**] Term: **14 Years**

[21] Appl. No.: **47,726**

[22] Filed: **Dec. 11, 1995**

Related U.S. Application Data

[63] Continuation of Ser. No. 319,908, Oct. 7, 1994.

[52] U.S. Cl. **D12/162**

[58] Field of Search D12/162; D8/354;
280/490.1, 415.1, 416.1, 477, 457, 493,
495, 507, 504, 511, 514, 406.2

[56] References Cited

U.S. PATENT DOCUMENTS

D. 311,511	10/1990	Crary	D12/162
D. 319,204	8/1991	McGrady	D12/162
D. 334,163	3/1993	McVey	D12/162
3,441,291	4/1969	Morris, Jr.	280/406.2

3,482,856	12/1969	Reese	280/406.2
3,600,004	8/1971	Newkerk	280/406.2
3,649,046	3/1972	Mathesen	280/406.2
3,679,231	7/1972	Derr, Jr.	280/406.2
3,731,950	5/1973	Burcham	280/406.2
4,033,601	7/1977	Lindahl et al.	280/490.1
4,092,035	3/1978	Warner	280/446.1
5,375,867	12/1994	Kass et al.	280/457

Primary Examiner—Melody N. Brown
Attorney, Agent, or Firm—King & Schickli

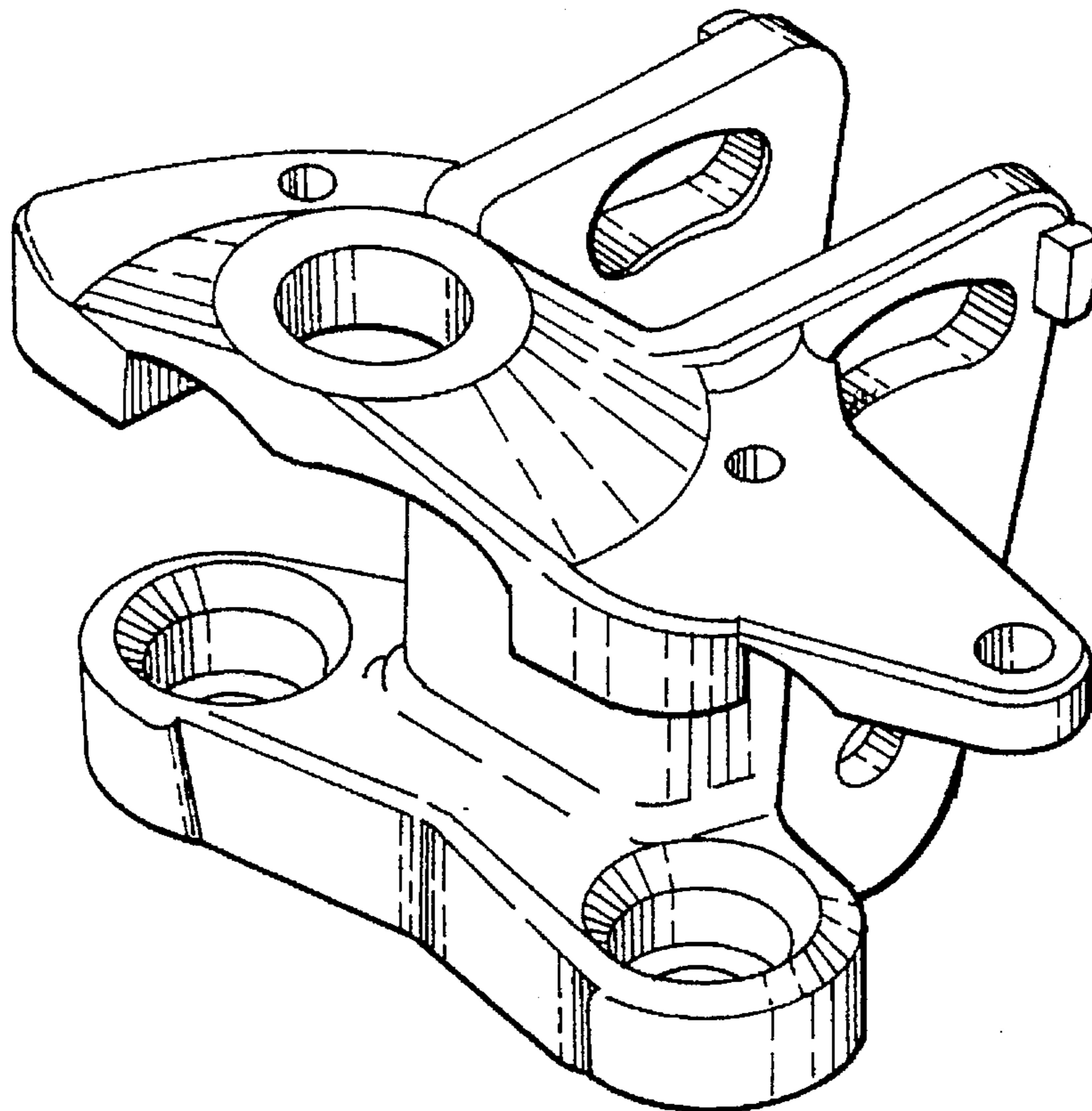
[57] CLAIM

The ornamental design for a ball mount head for trailer hitch, as shown.

DESCRIPTION

FIG. 1 is a perspective view of the ball mount head for trailer hitch of the present invention;
FIG. 2 is a top plan view thereof;
FIG. 3 is a bottom plan view thereof;
FIG. 4 is a left side elevational view thereof;
FIG. 5 is a right side elevational view thereof;
FIG. 6 is a front elevational view thereof; and,
FIG. 7 is a rear elevational view thereof.

1 Claim, 2 Drawing Sheets



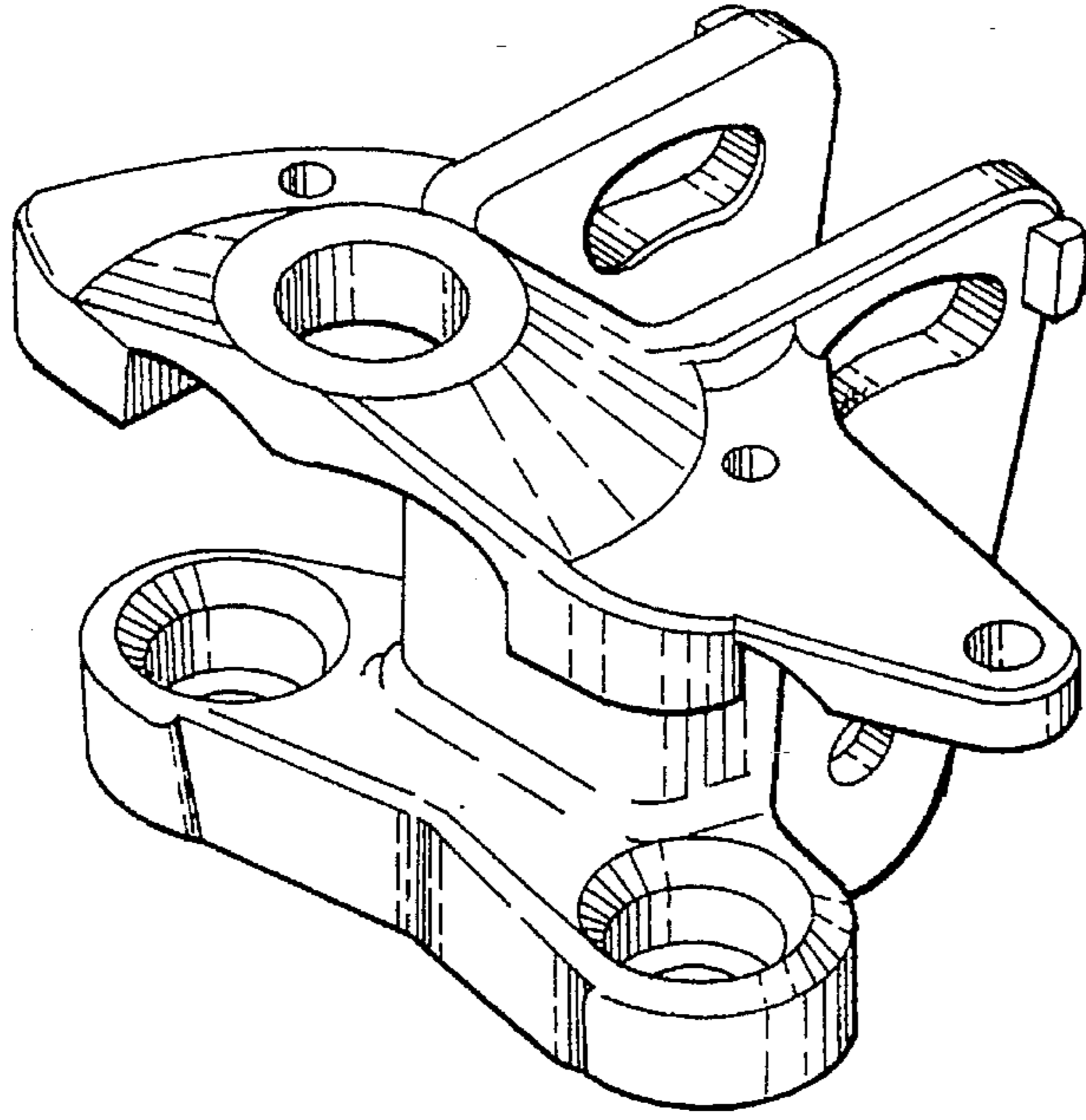


Fig. 1

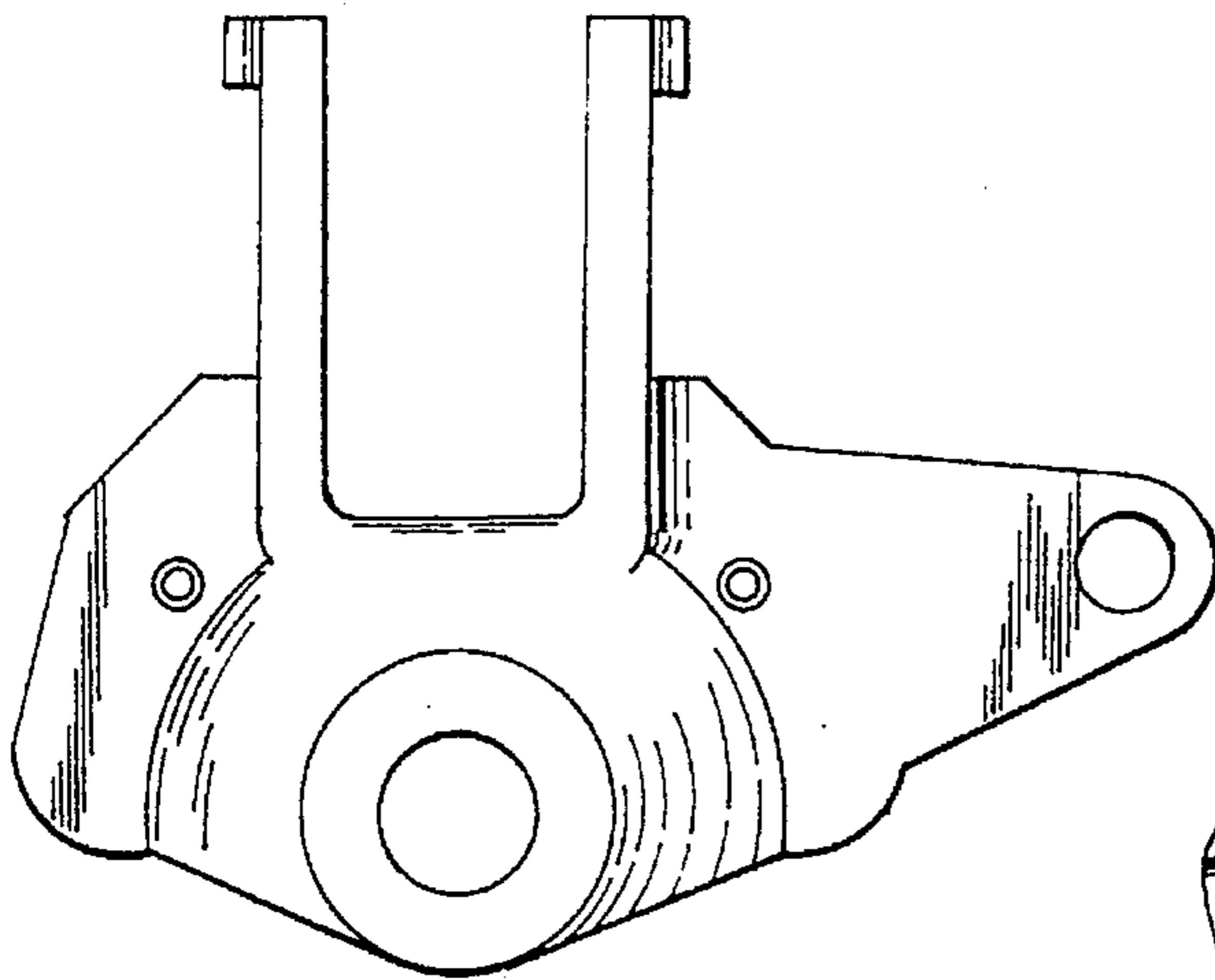
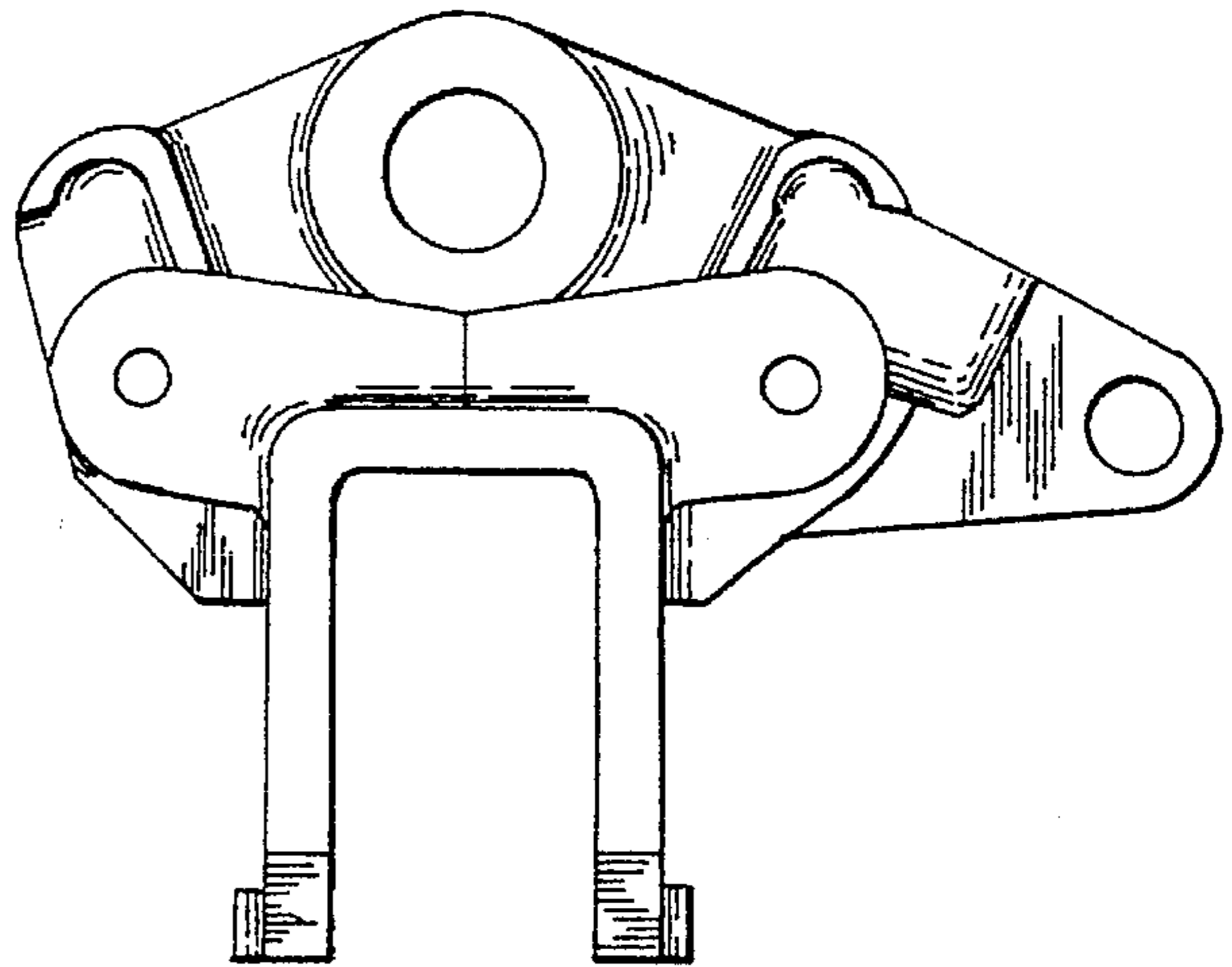


Fig. 2

Fig. 3



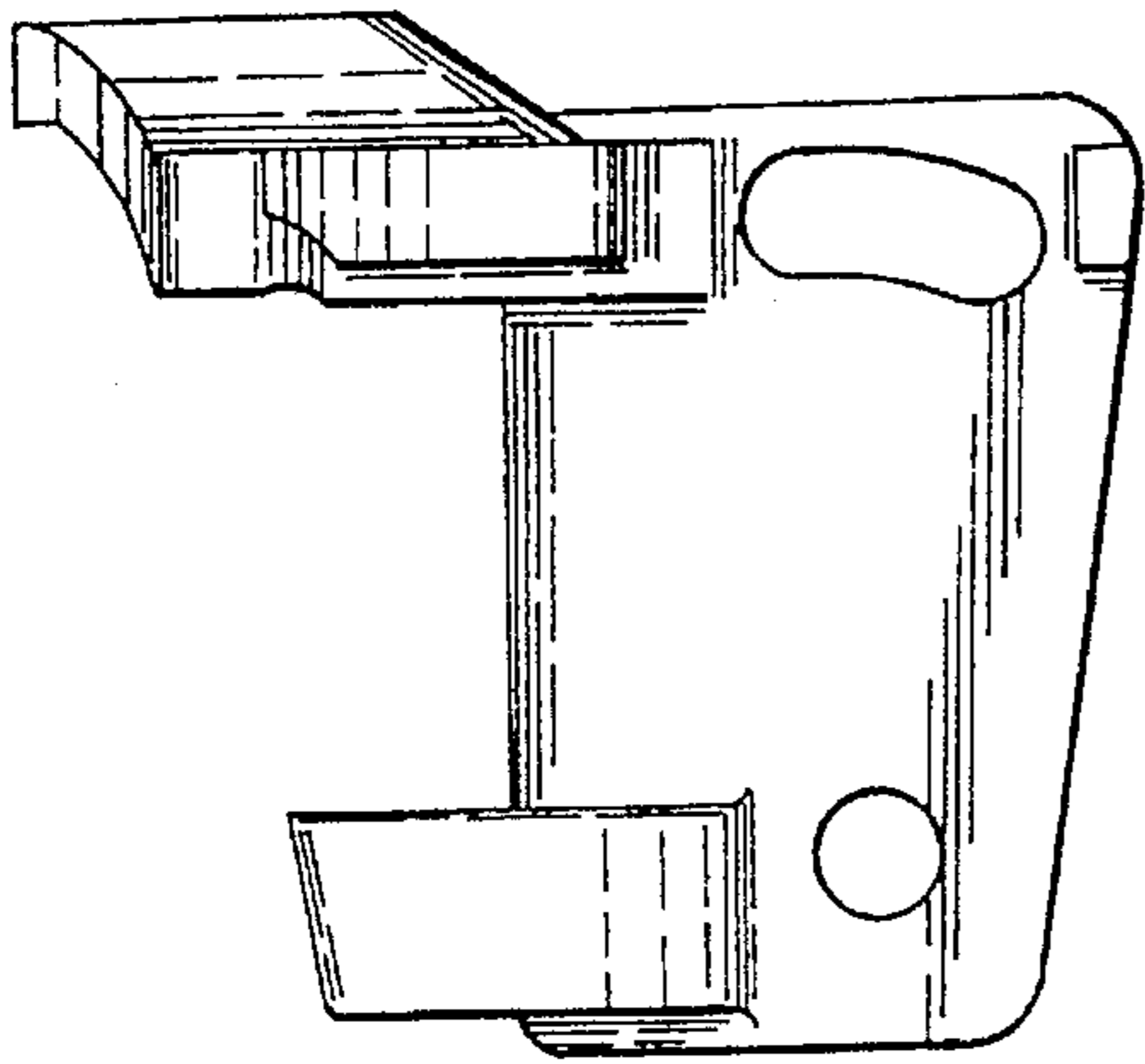


Fig. 4

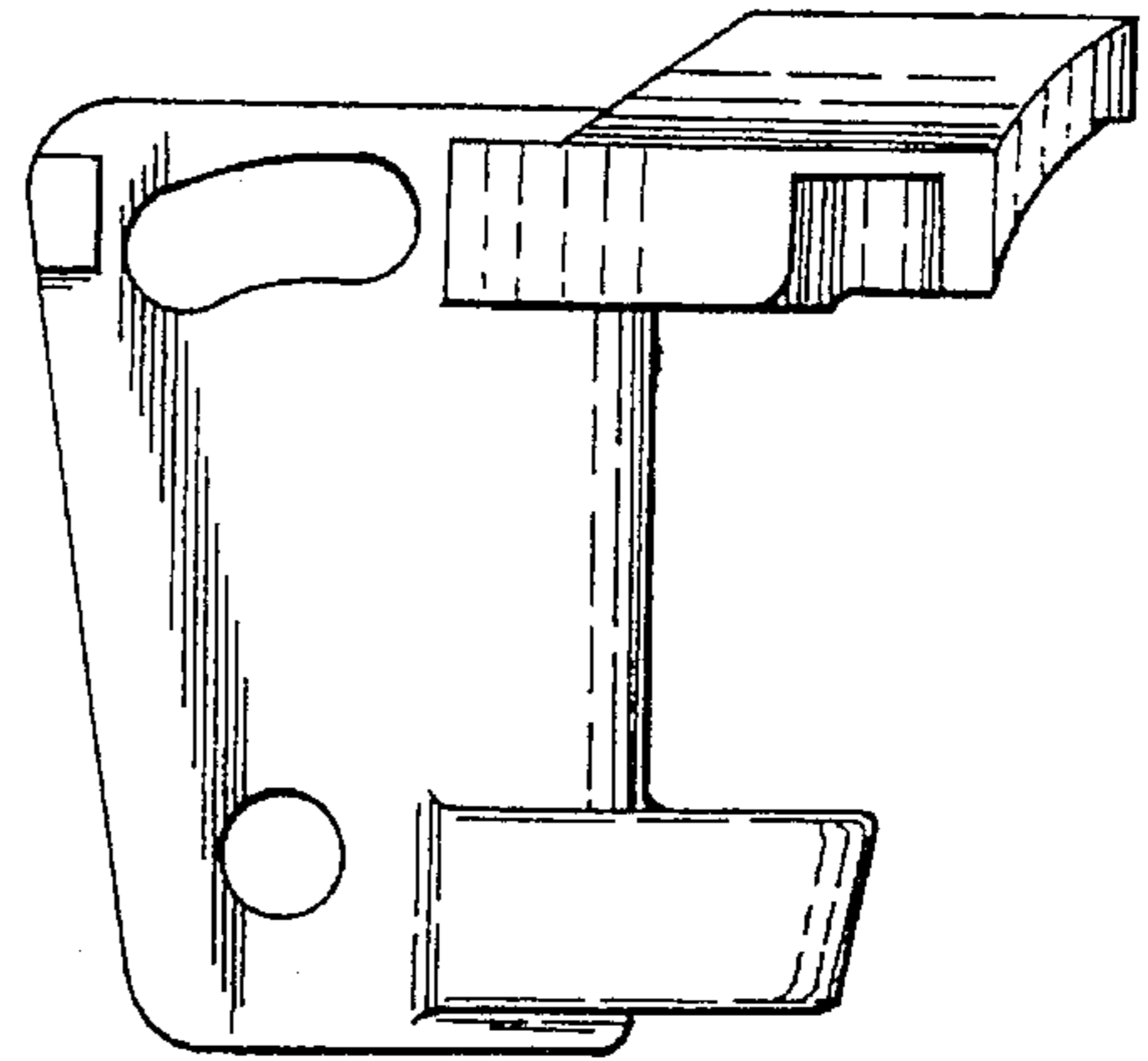


Fig. 5

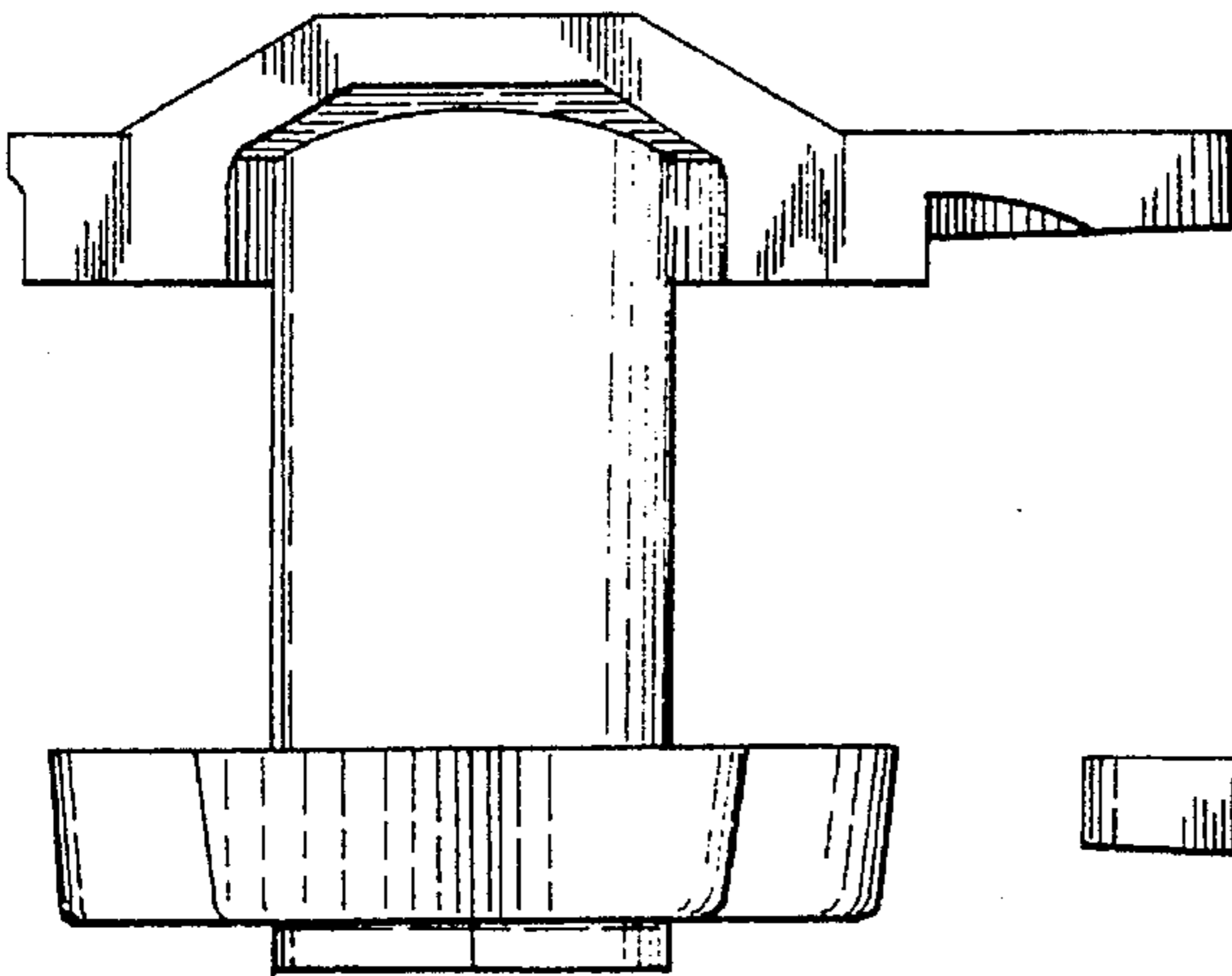


Fig. 6

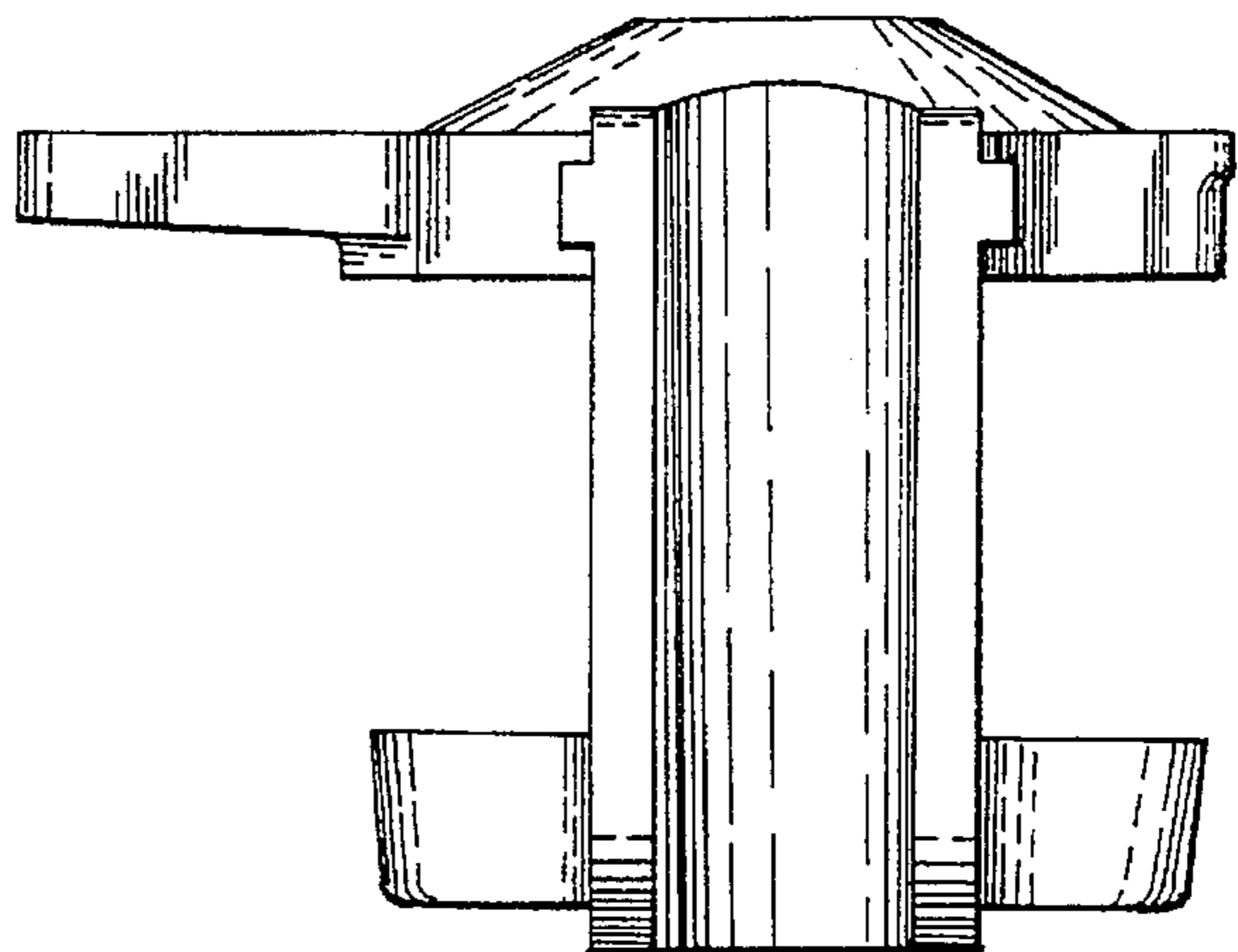


Fig. 7