



US00D375283S

United States Patent [19]

[11] Patent Number: **Des. 375,283**

Lu

[45] Date of Patent: ****Nov. 5, 1996**

[54] **BABY WALKER**

5,447,319 9/1995 Huang 280/87.051

[76] Inventor: **Li-Wei Lu**, No. 59-16, Chiu She Road,
Pei Tun Dist., Taichung, Taiwan

Primary Examiner—Kay H. Chin
Attorney, Agent, or Firm—Bacon & Thomas

[**] Term: **14 Years**

[57] **CLAIM**

[21] Appl. No.: **42,557**

The ornamental design for a baby walker, as shown and described.

[22] Filed: **Aug. 11, 1995**

DESCRIPTION

[52] U.S. Cl. **D12/130**

[58] Field of Search D12/128, 130;
280/87.051, 43.22; 297/5, 213; 482/68,
67

FIG. 1 is a perspective view of a baby walker showing my new design;

FIG. 2 is a front elevational view thereof;

FIG. 3 is a rear elevational view thereof;

FIG. 4 is a left side elevational view thereof;

FIG. 5 is a right side elevational view thereof;

FIG. 6 is a top plan view thereof; and,

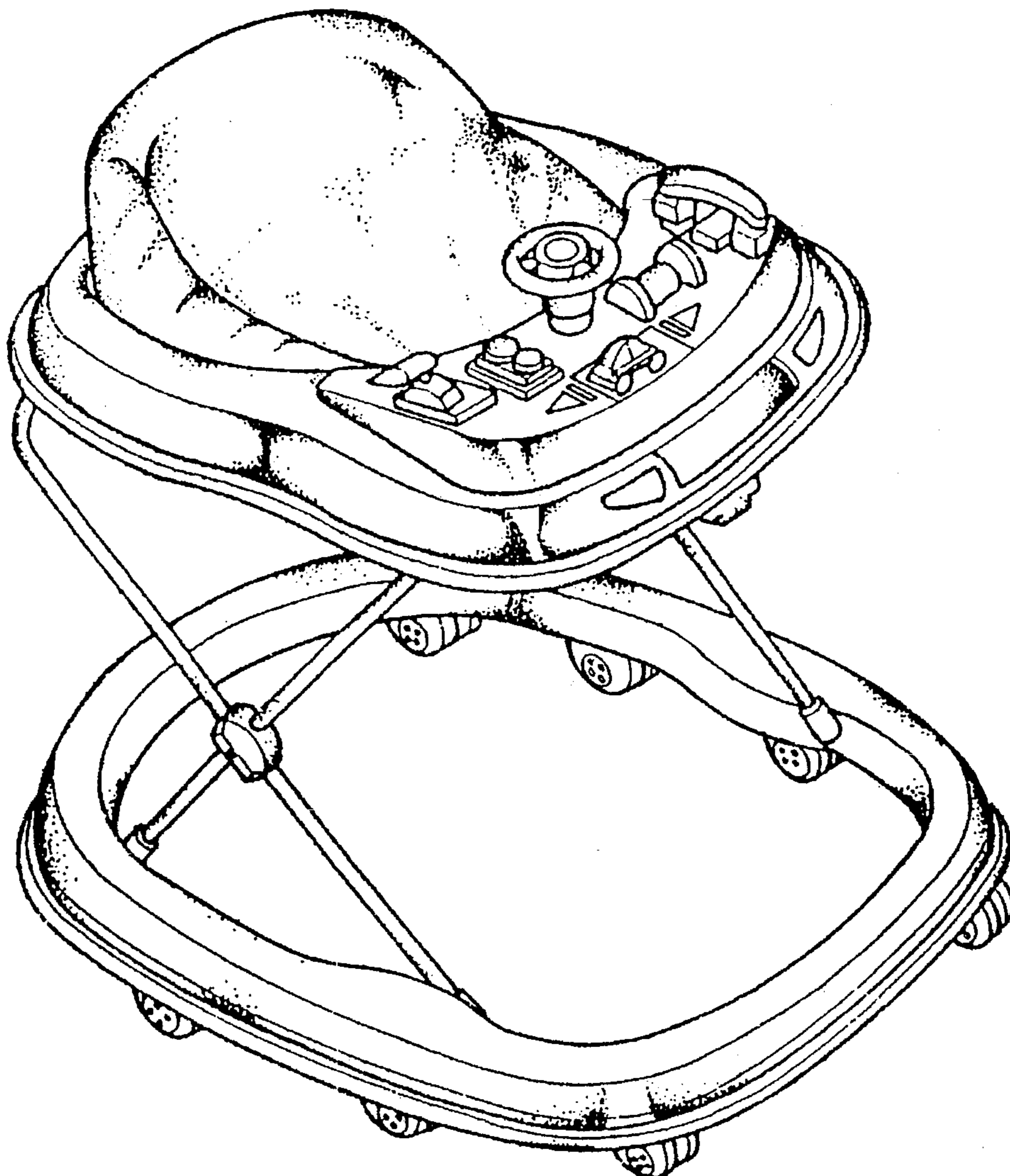
FIG. 7 is a bottom plan view thereof.

[56] References Cited

U.S. PATENT DOCUMENTS

D. 308,657	6/1990	Hu	D12/130
4,844,209	7/1989	Sedlack	D12/130
5,324,064	6/1994	Sumser et al.	280/87.051
5,366,231	11/1994	Hung	280/87.051

1 Claim, 4 Drawing Sheets



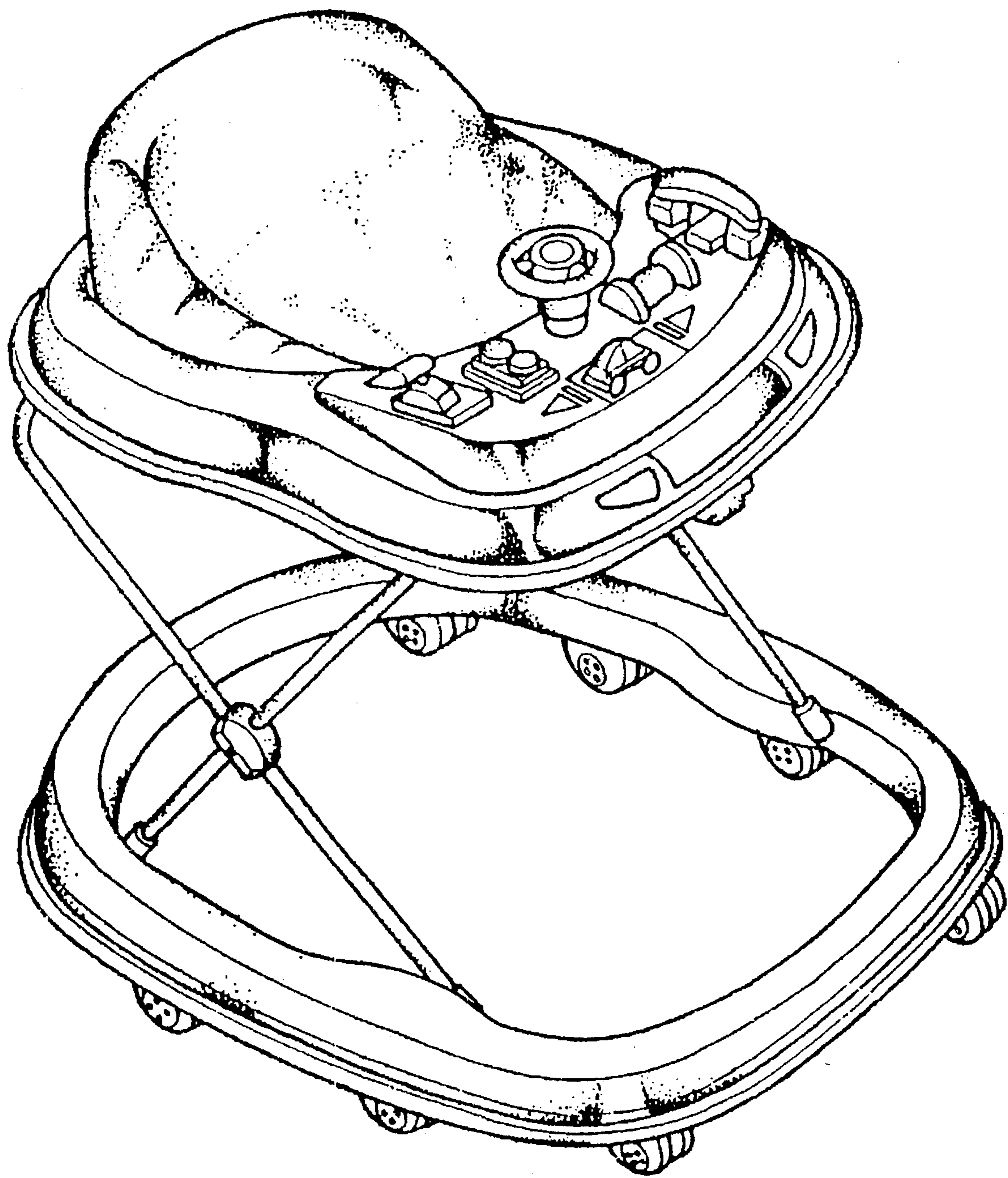


FIG.1

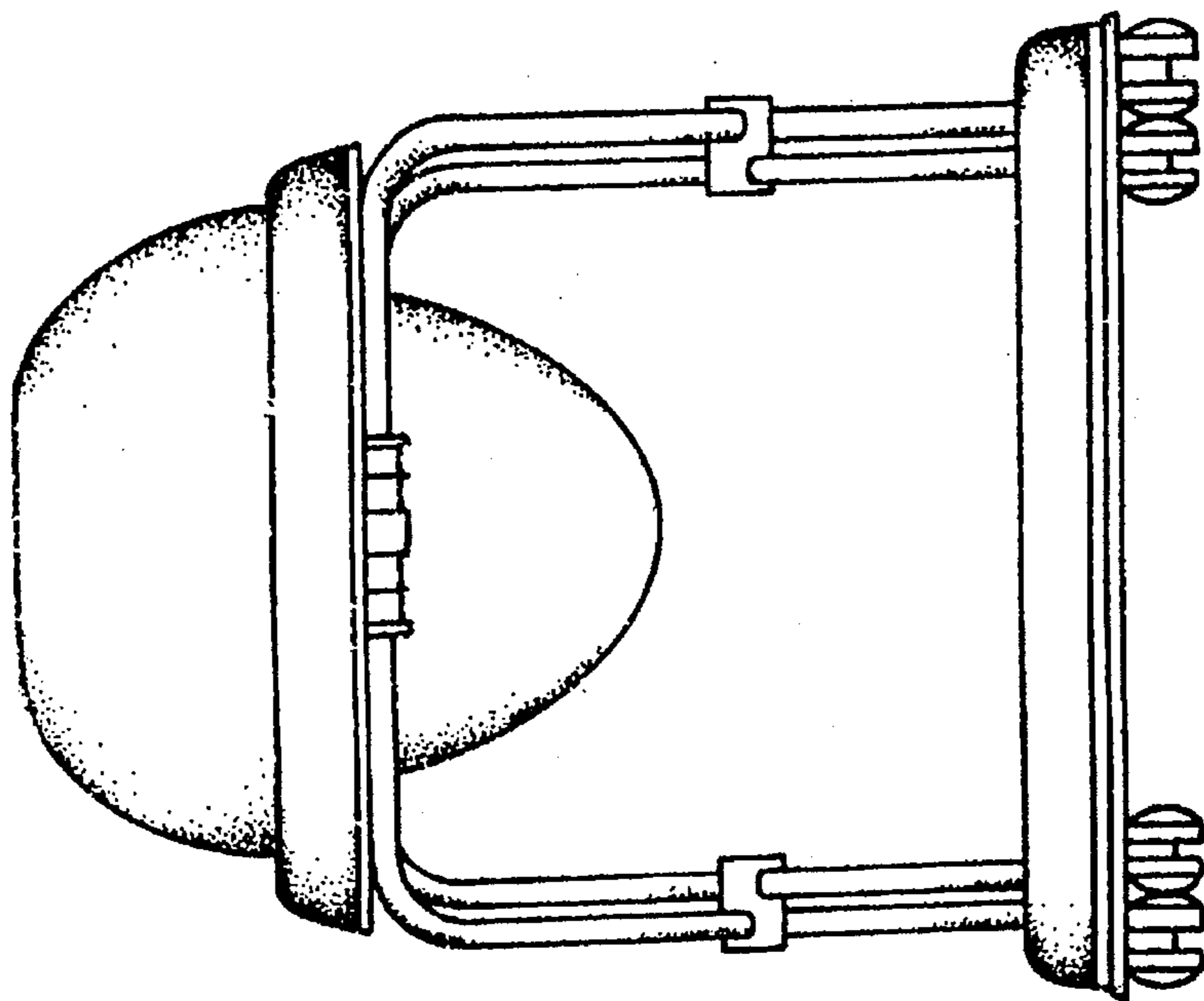


FIG.3

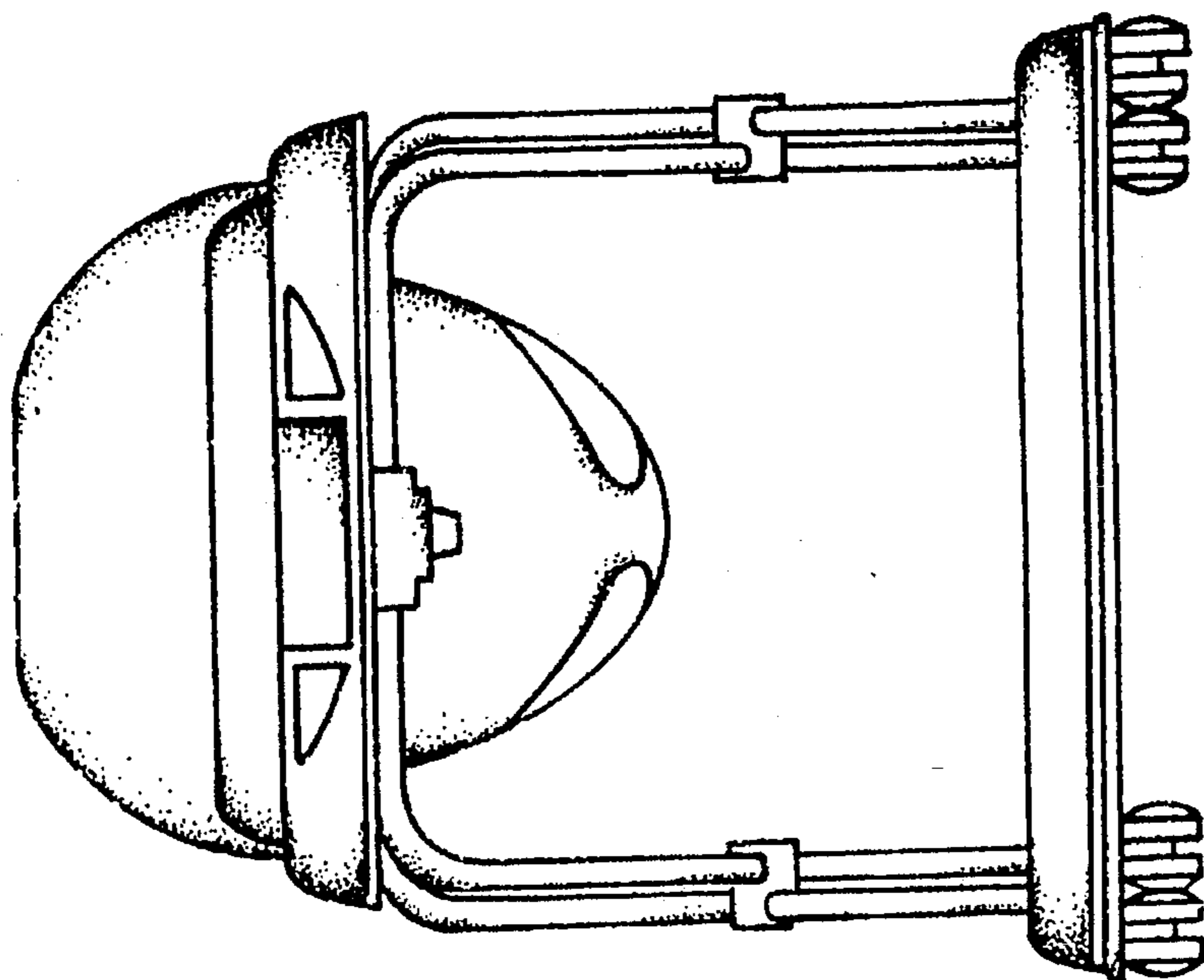


FIG.2

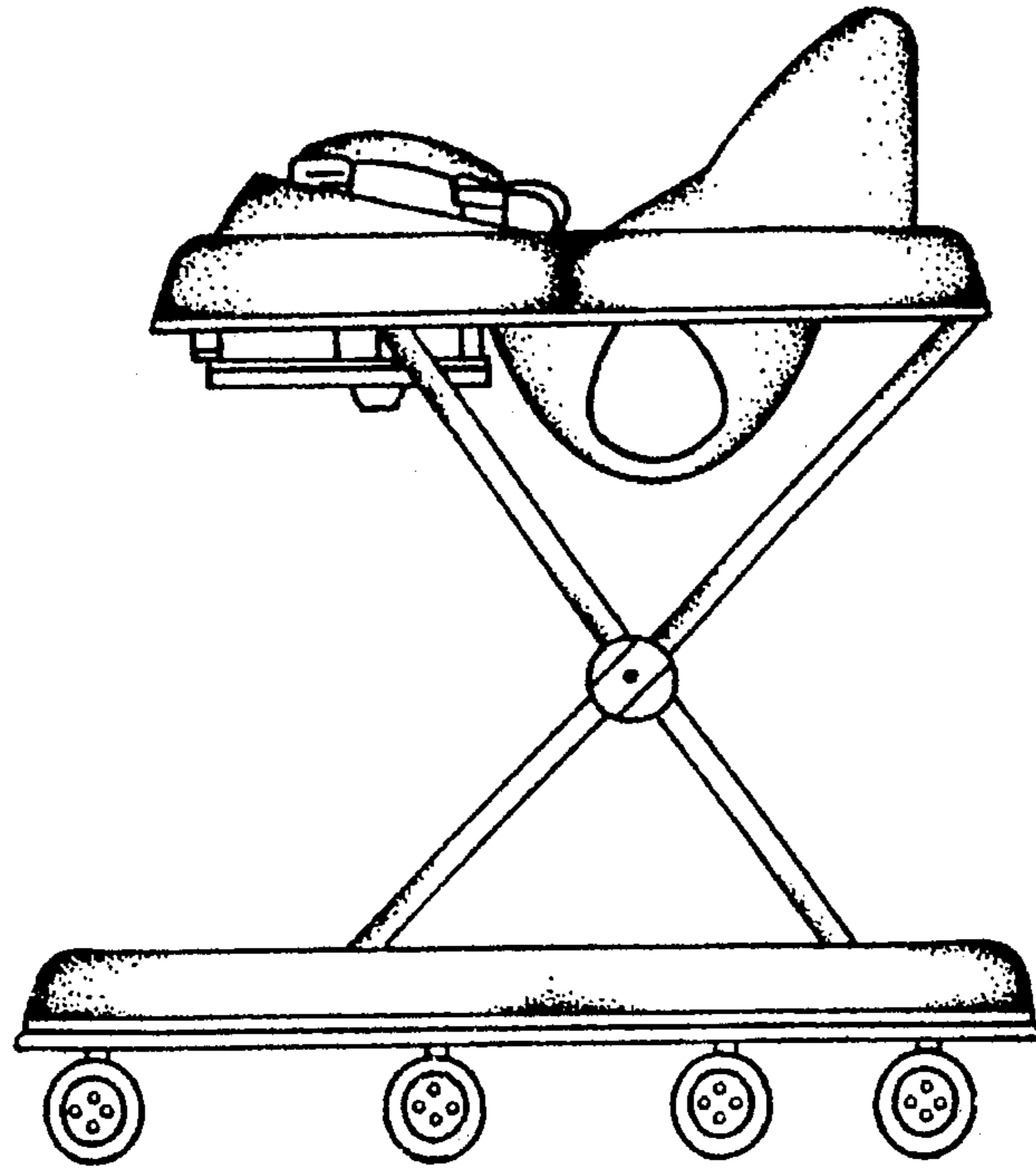


FIG.5

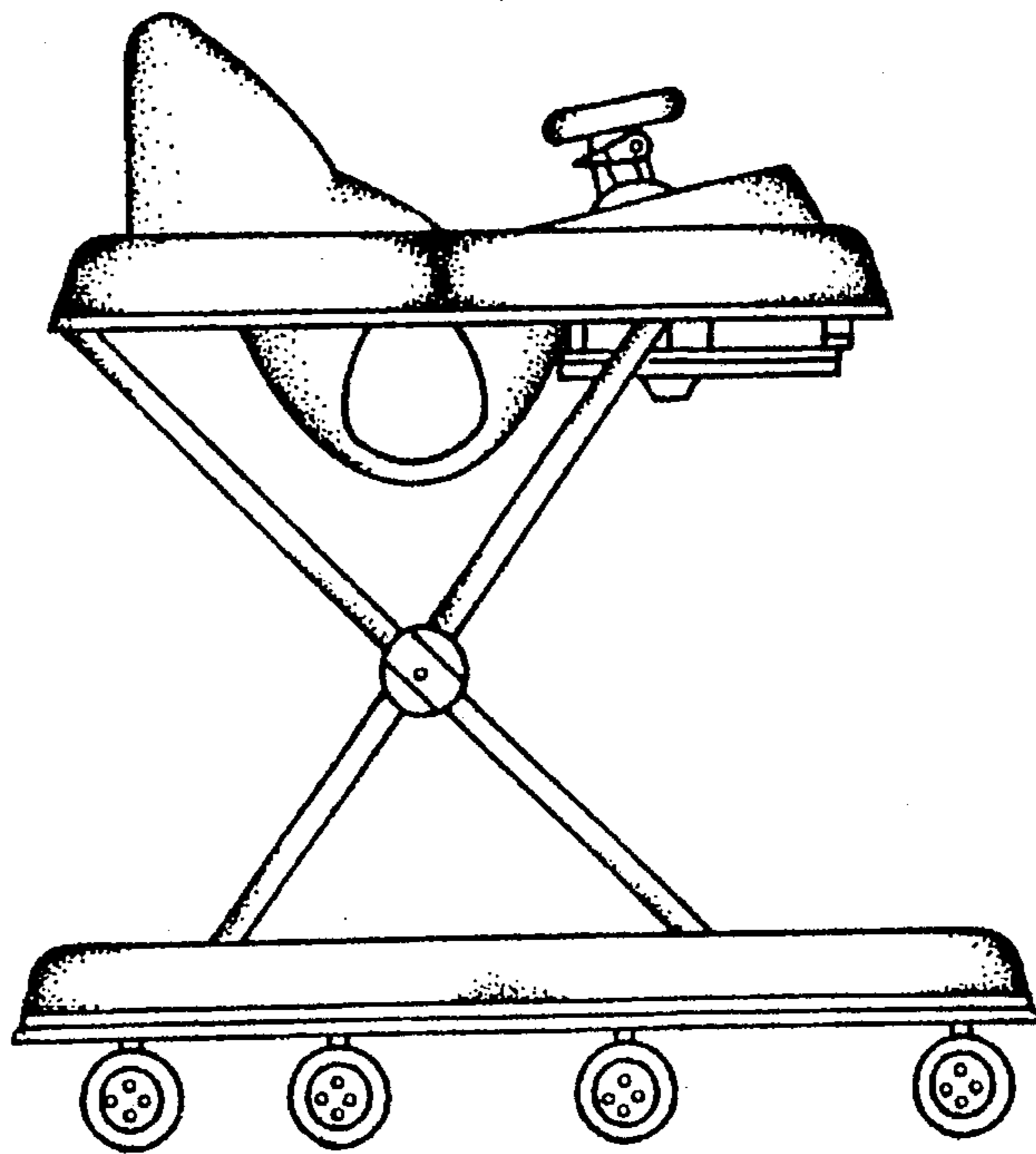


FIG.4

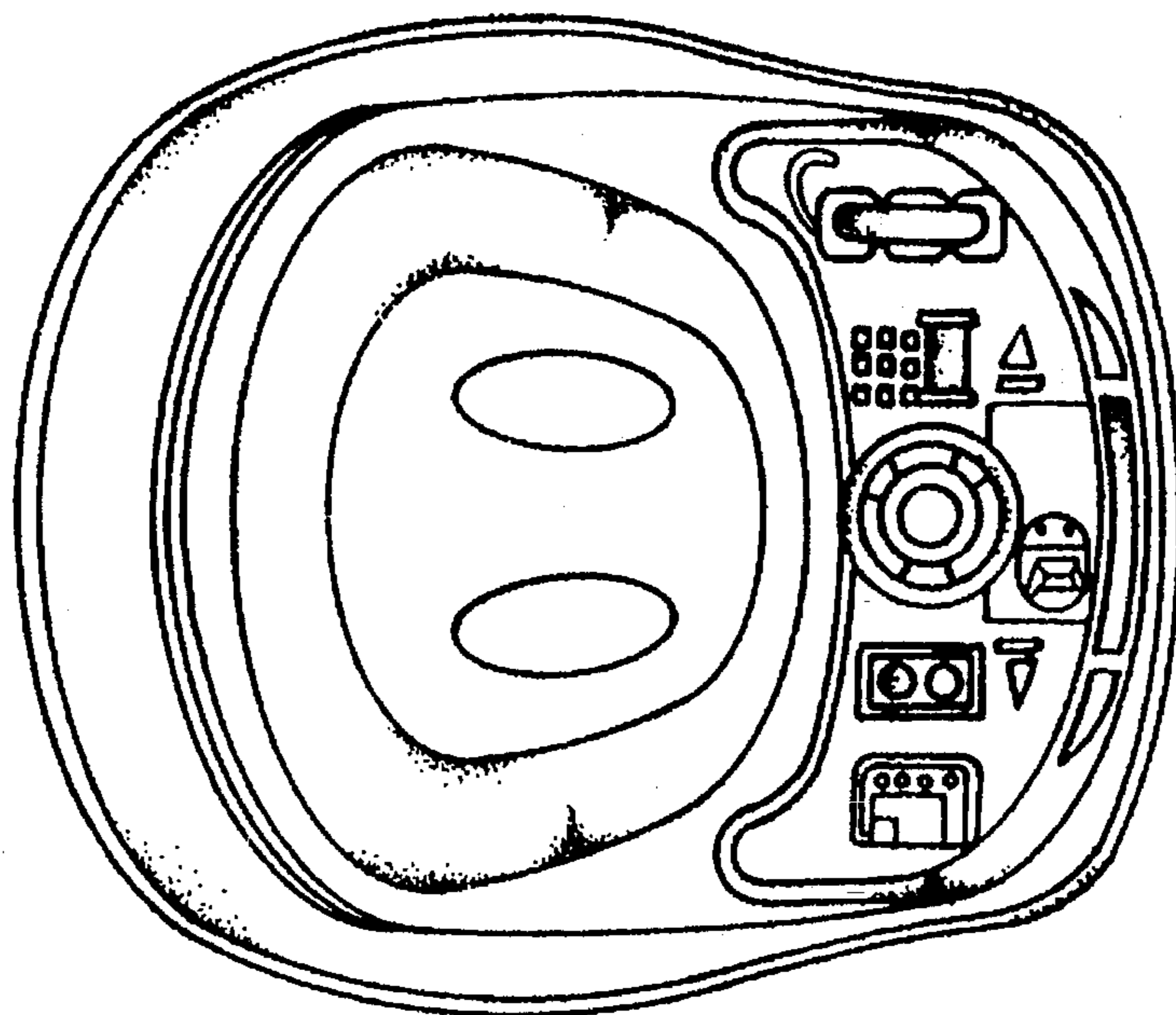


FIG. 6

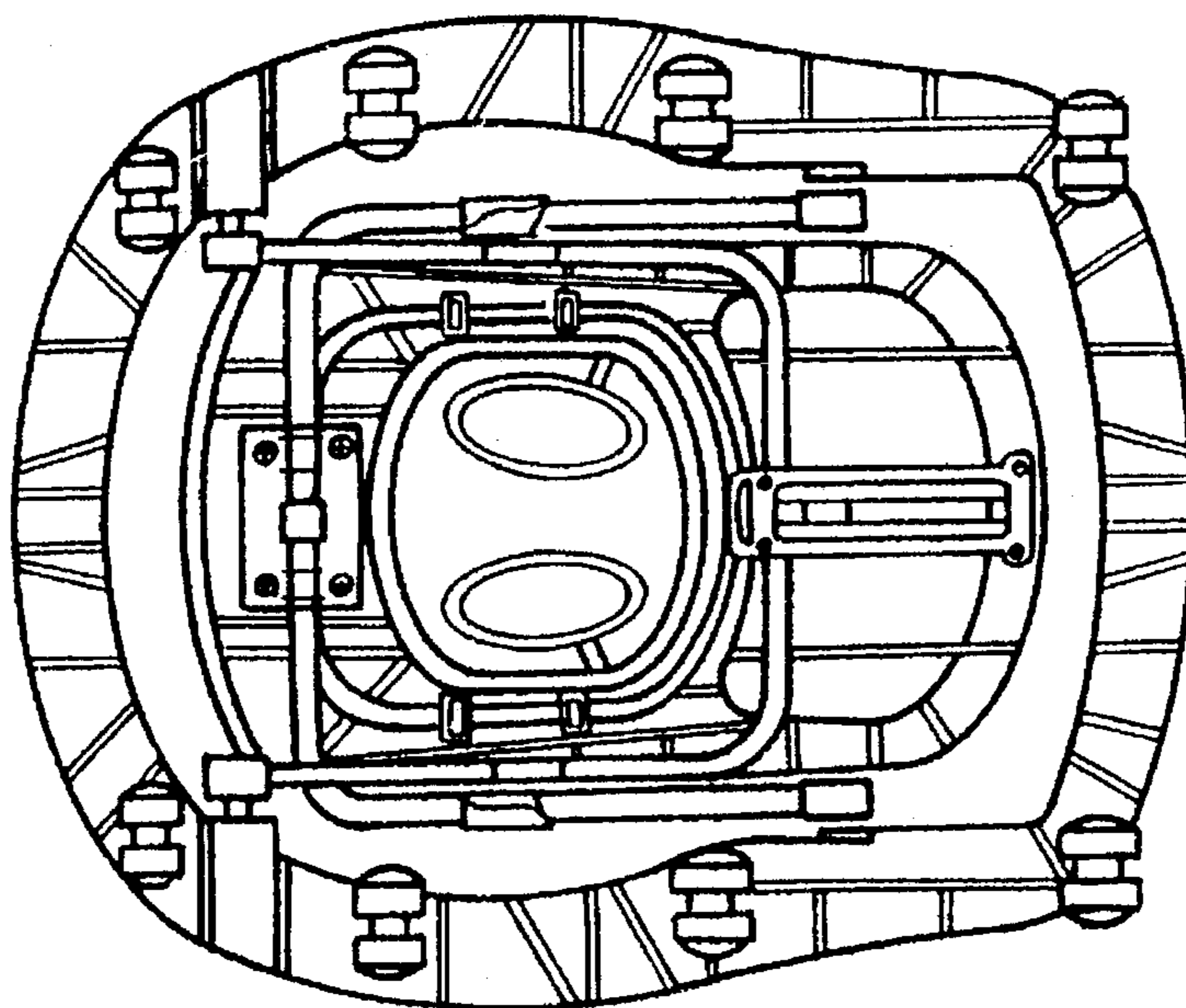


FIG. 7