



US00D375277S

United States Patent [19]
Dumas

[11] **Patent Number: Des. 375,277**
[45] **Date of Patent: **Nov. 5, 1996**

[54] **WATCH FACE**

FOREIGN PATENT DOCUMENTS

[75] **Inventor: Jean-Louis Dumas, Paris, France**

329446 4/1958 Switzerland 368/232
332202 10/1958 Switzerland 368/233

[73] **Assignee: La Montre Hermes, Bienne, Switzerland**

Primary Examiner—Nelson C. Holtje
Attorney, Agent, or Firm—Popham, Haik, Schnobrich & Kaufman, Ltd.

[**] **Term: 14 Years**

[21] **Appl. No.: 25,653**

[57] **CLAIM**

[22] **Filed: Jul. 7, 1994**

The ornamental design for a watch face, as shown and described.

[30] **Foreign Application Priority Data**

DESCRIPTION

Jan. 10, 1994 [WO] WIPO DM/028.347

[52] **U.S. Cl. D10/126**

[58] **Field of Search** D10/1-40, 122-132;
368/223, 228-229, 232, 280-282, 285,
28-30, 41-44, 239-242

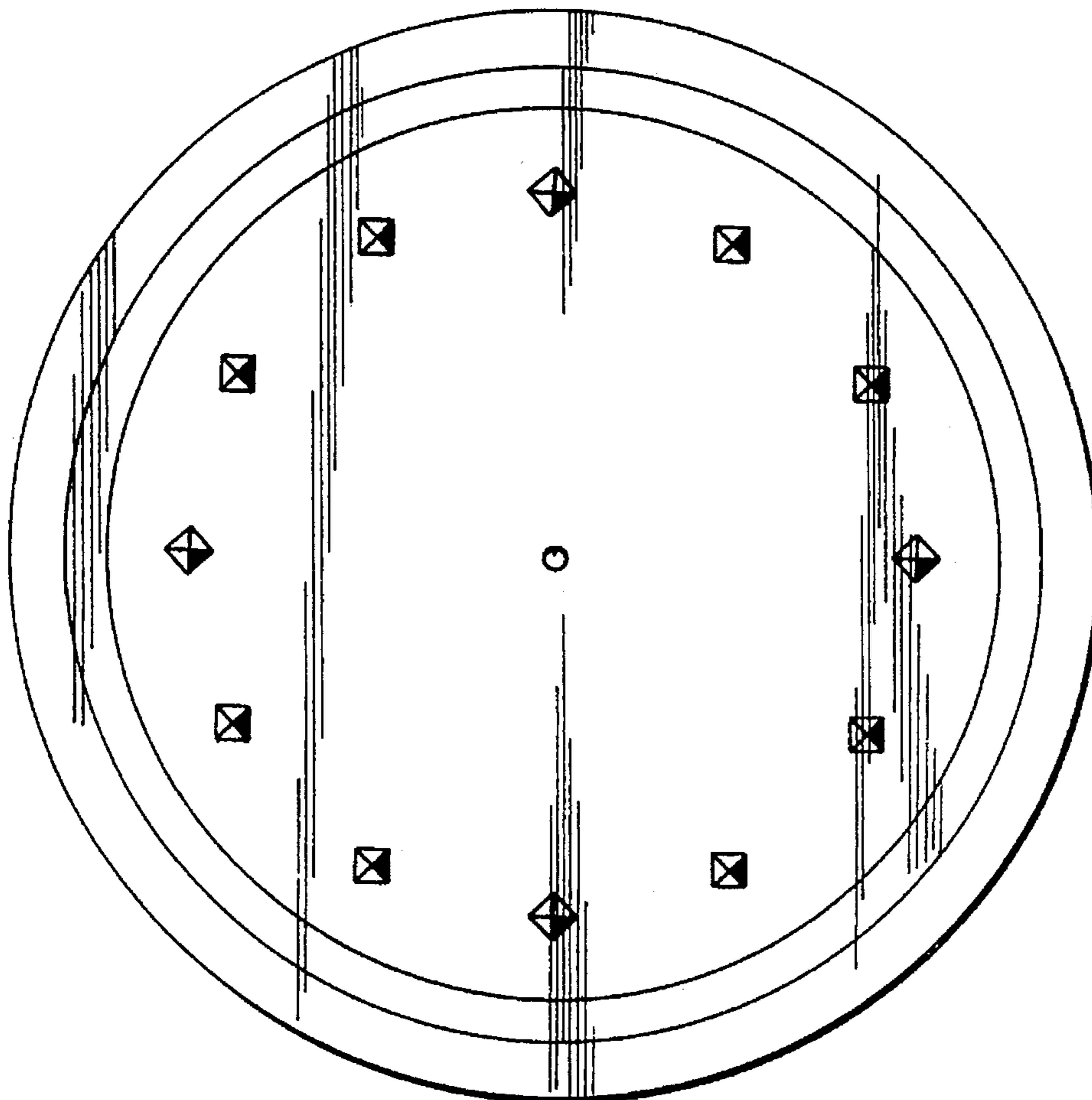
FIG. 1 is a front elevational view of a watch face showing my new design, the rear being plain and unornamented; and, FIG. 2 is a typical side elevational view thereof.

[56] **References Cited**

U.S. PATENT DOCUMENTS

D. 166,533 4/1952 Gault D10/126

1 Claim, 1 Drawing Sheet



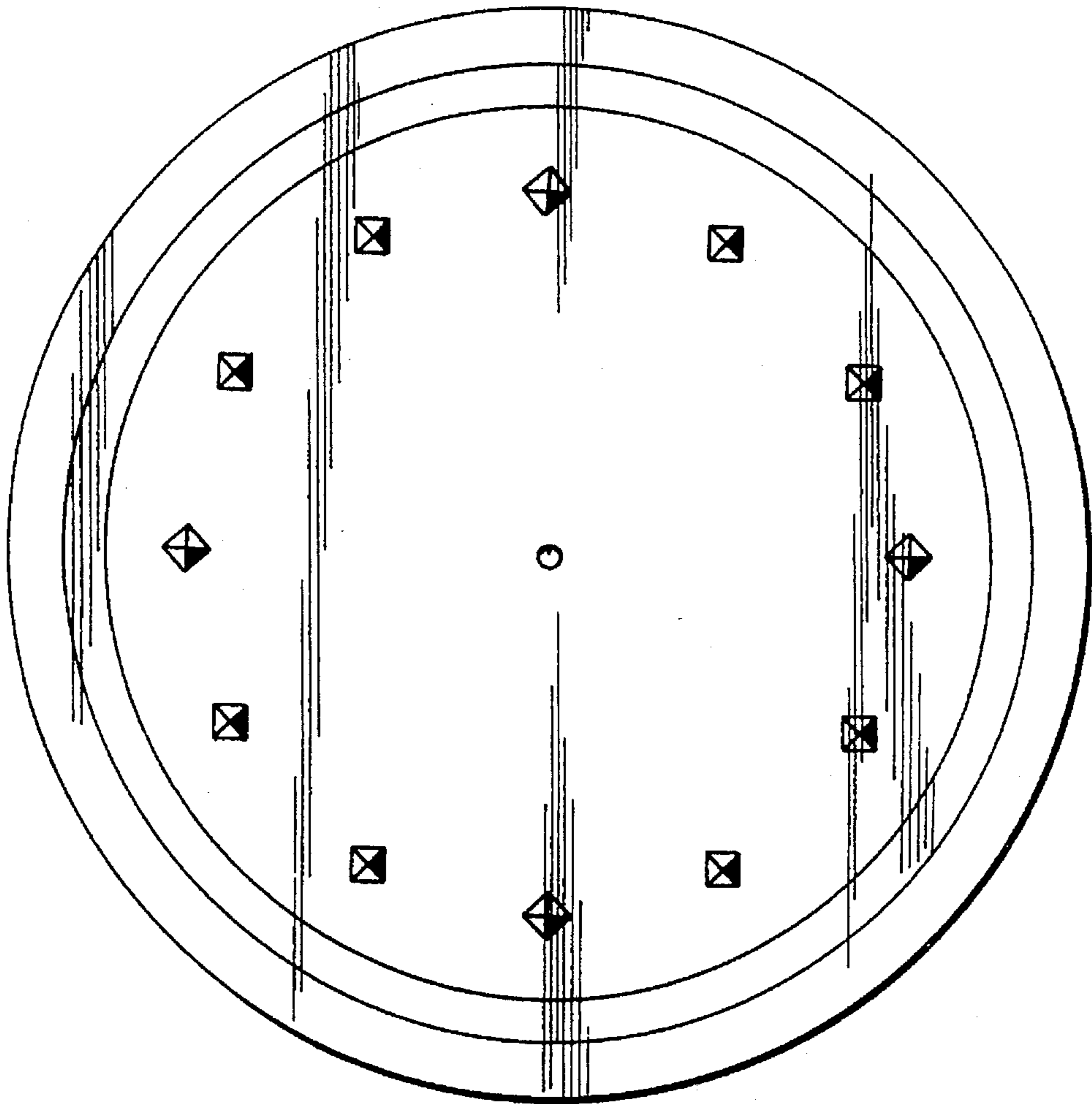


FIG. 1

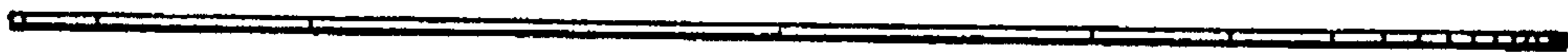


FIG. 2