



US00D375272S

**United States Patent** [19]  
**Heary**

[11] **Patent Number:** **Des. 375,272**

[45] **Date of Patent:** **\*\*Nov. 5, 1996**

[54] **AIR TERMINAL**

[75] **Inventor:** **Kenneth P. Heary**, Springville, N.Y.

[73] **Assignee:** **Heary Bros. Lightning Protection Co., Inc.**, Springville, N.Y.

[\*\*] **Term:** **14 Years**

[21] **Appl. No.:** **43,232**

[22] **Filed:** **Jul. 27, 1995**

[52] **U.S. Cl.** ..... **D10/105**

[58] **Field of Search** ..... **D10/104, 105,**  
**D10/109, 121; 361/85, 86, 88, 87, 111,**  
**117, 118; 174/2, 3, 4 R, 4 C**

[56] **References Cited**

**U.S. PATENT DOCUMENTS**

- D. 305,104 12/1989 Heary ..... D10/105
- D. 326,422 5/1992 Heary ..... D10/105
- D. 339,306 9/1993 Fawthrop ..... D10/105

- D. 339,307 9/1993 Heary ..... D10/105
- D. 361,290 8/1995 Fawthrop ..... D10/105
- 1,098,738 6/1914 Kretzer ..... D10/105

*Primary Examiner*—Marcus A. Jackson  
*Attorney, Agent, or Firm*—Bean, Kauffman & Spencer

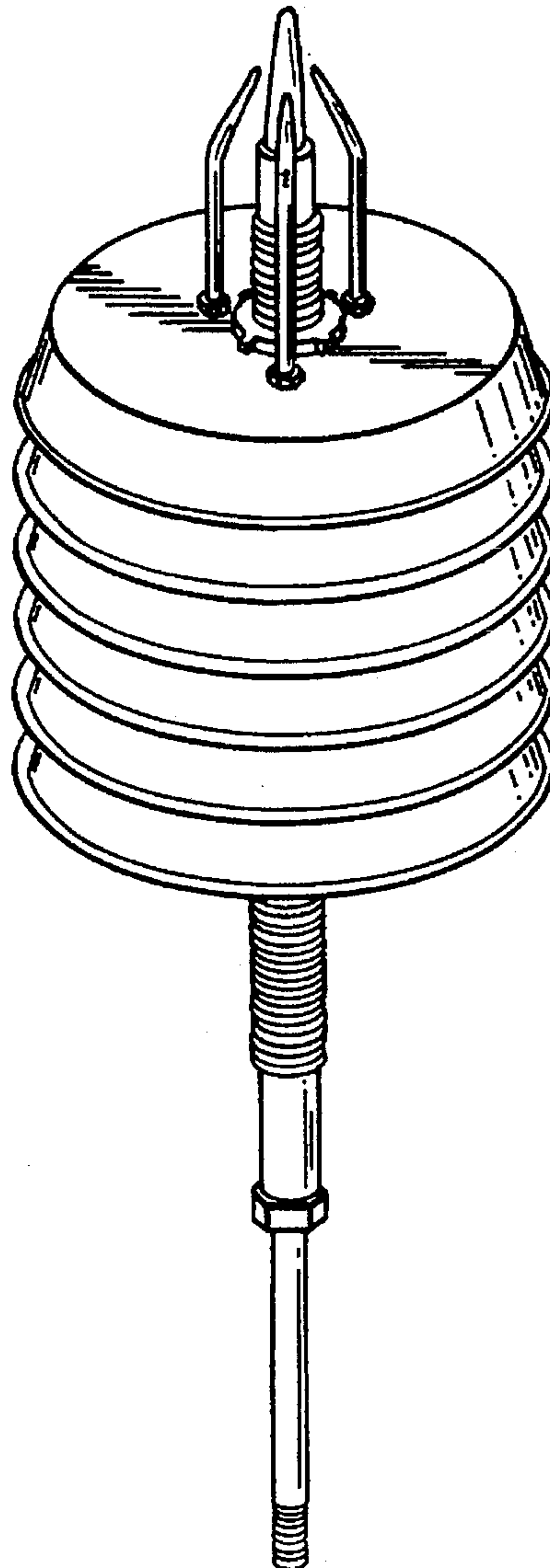
[57] **CLAIM**

The ornamental design for an air terminal, as shown and described.

**DESCRIPTION**

FIG. 1 is a top perspective view of an air terminal showing my new design;  
FIG. 2 is a side elevational view thereof;  
FIG. 3 is a side elevational view showing the side opposite that shown in FIG. 2;  
FIG. 4 is a top plan view thereof;  
FIG. 5 is a bottom plan view thereof; and,  
FIG. 6 is a bottom perspective view thereof.

**1 Claim, 3 Drawing Sheets**



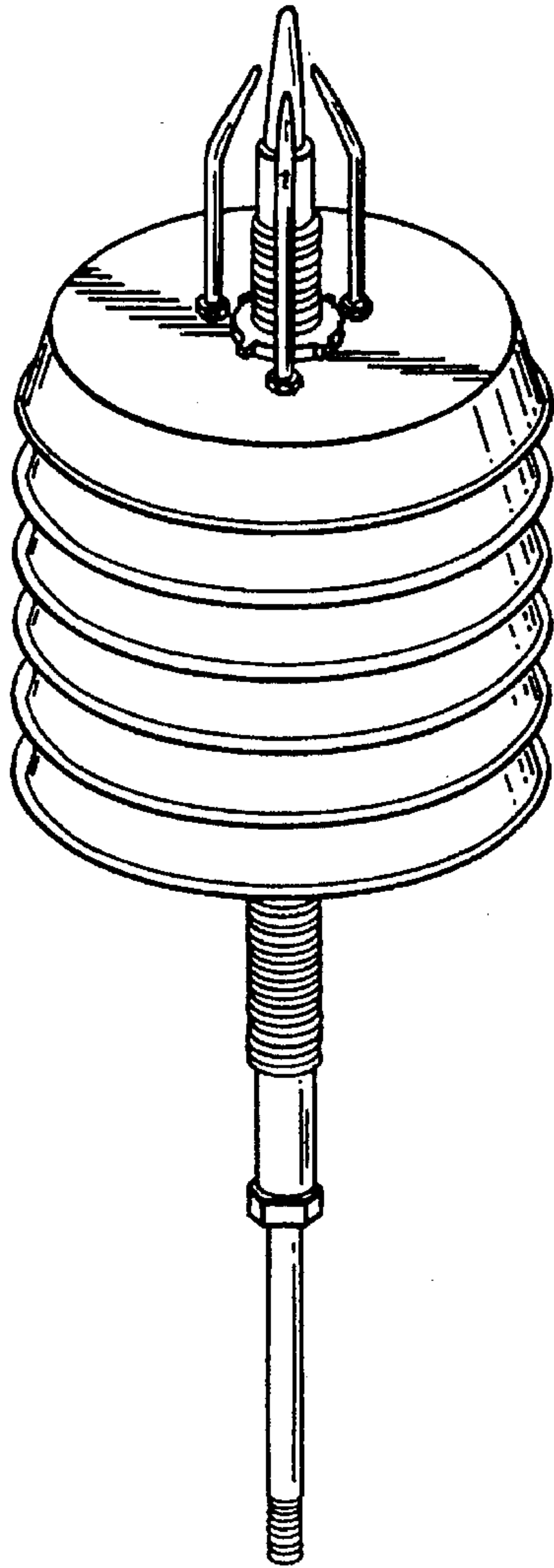


FIG. 1

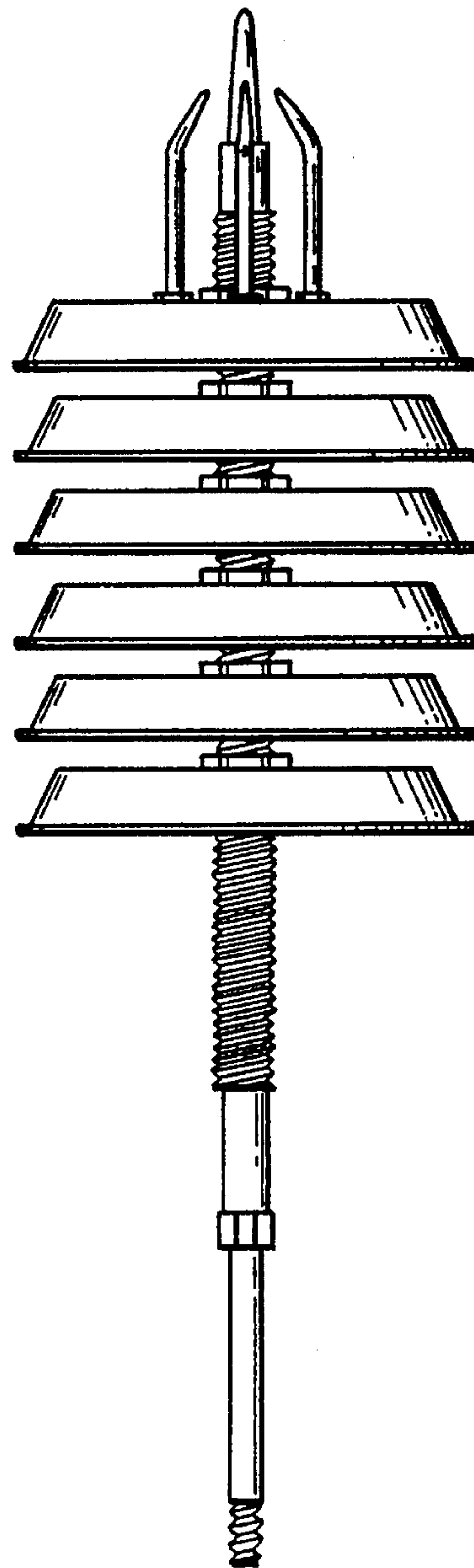


FIG. 2

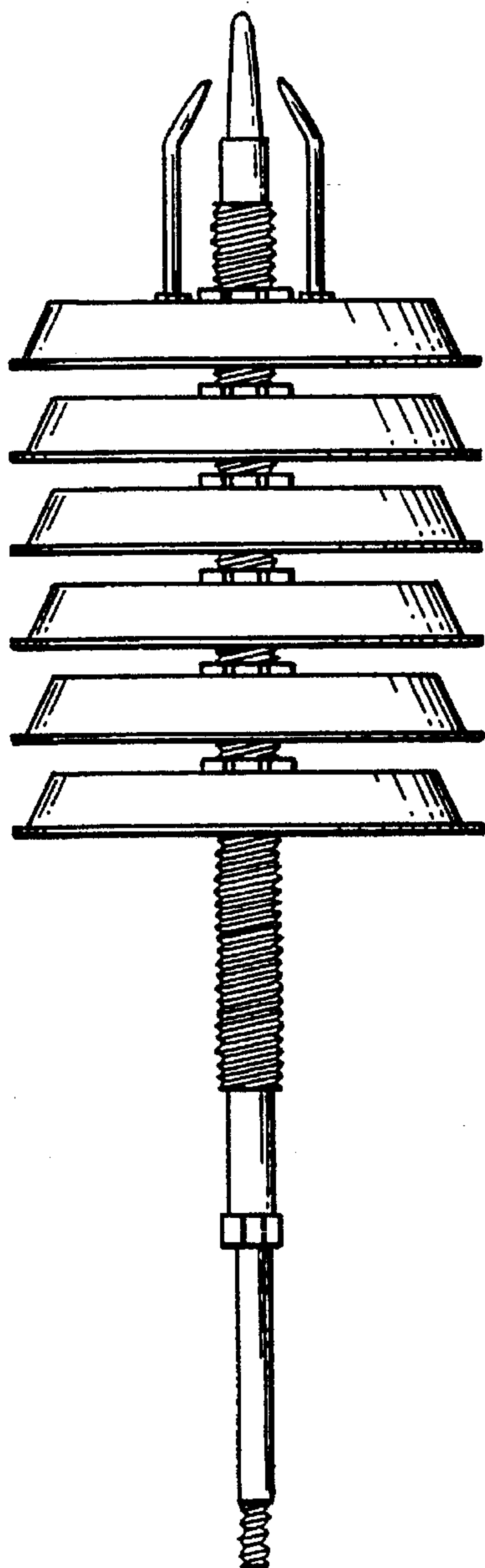


FIG. 3

FIG. 4

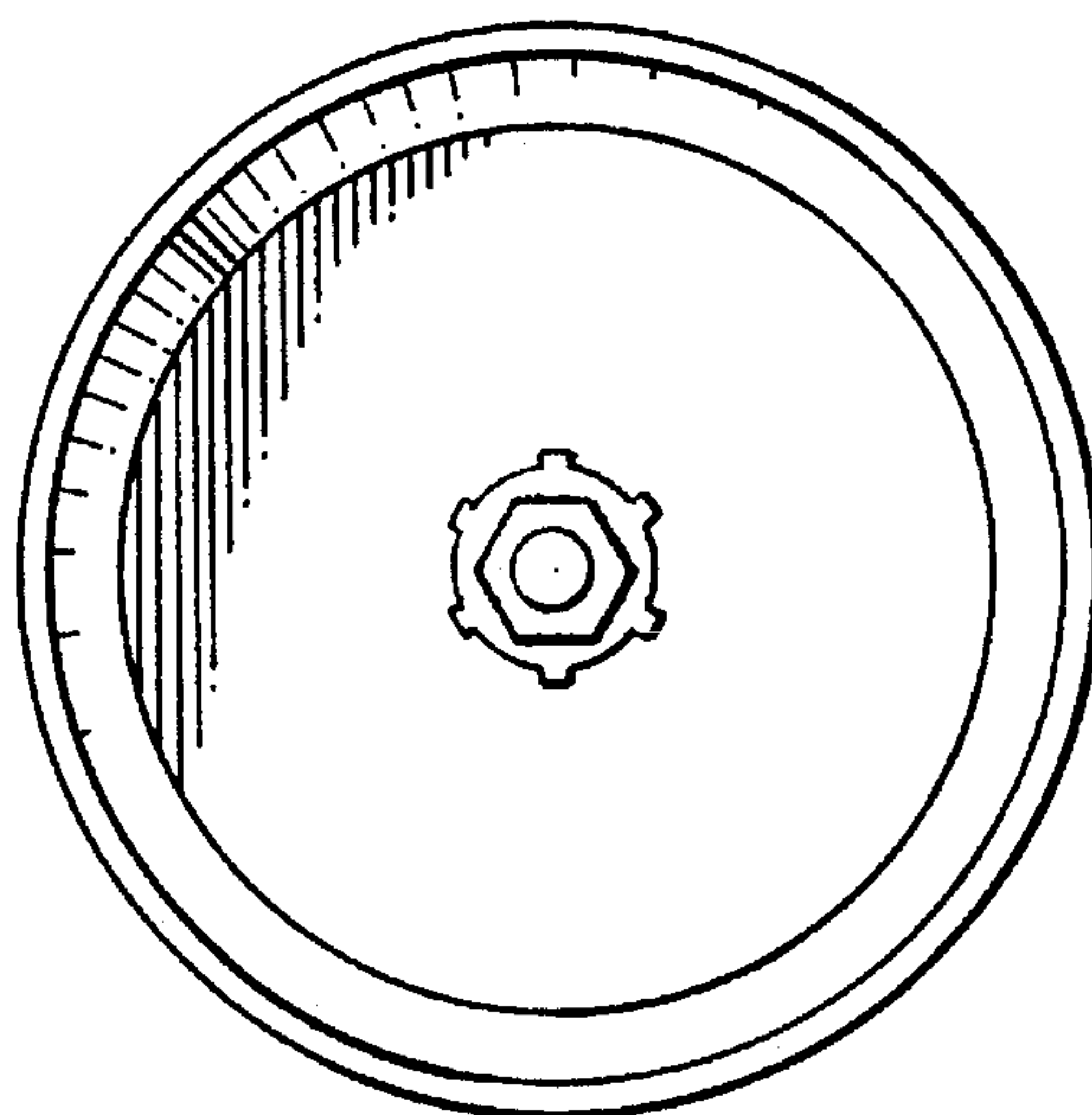
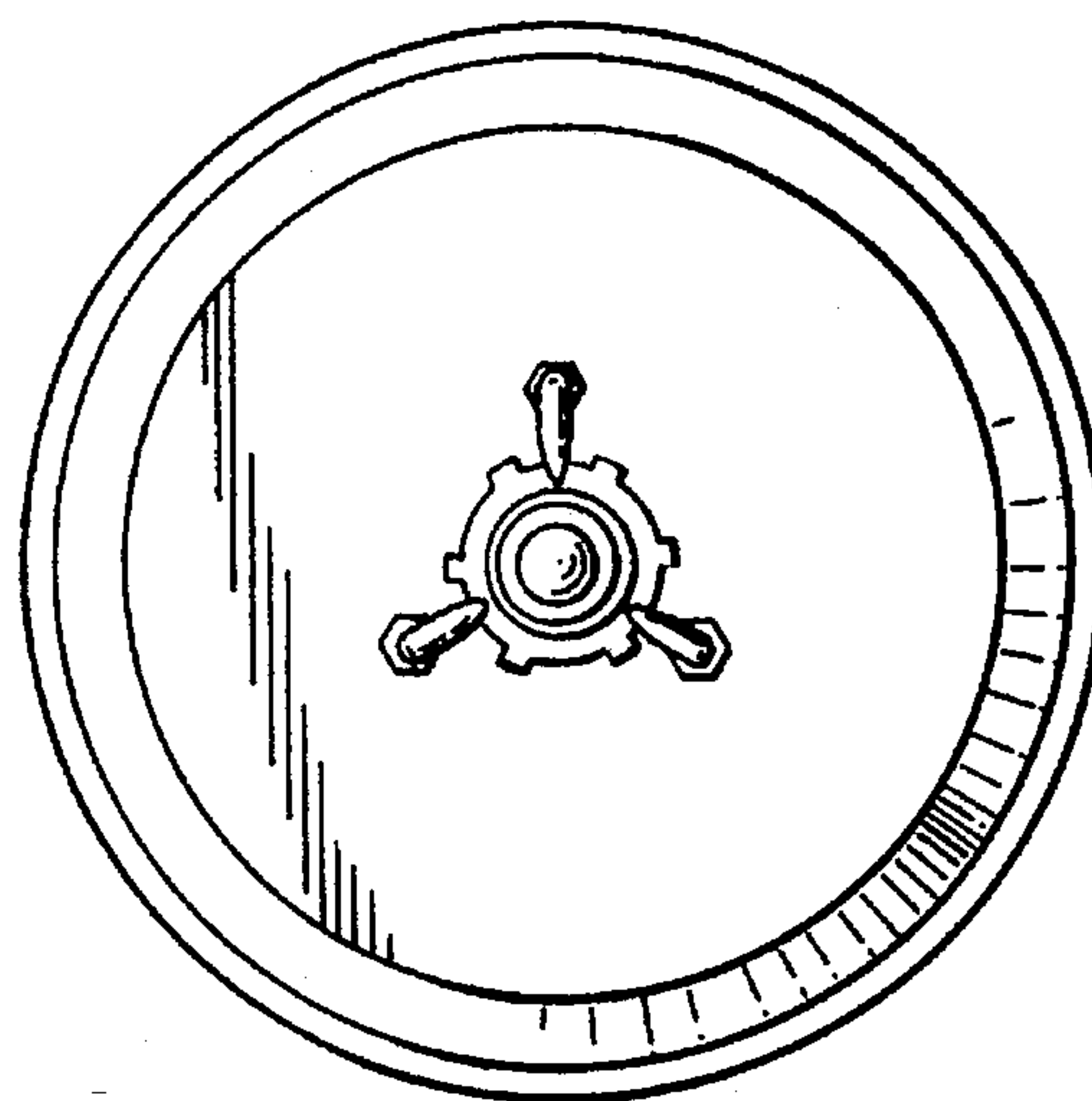


FIG. 5

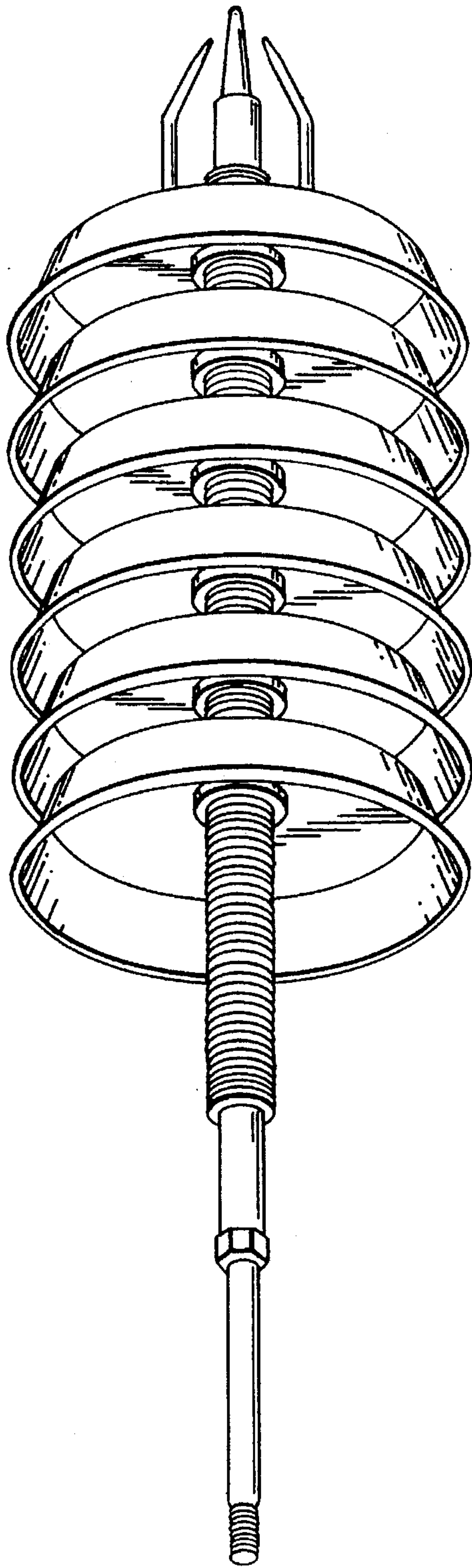


FIG. 6