



US00D375270S

United States Patent [19]

Nagai et al.

[11] Patent Number: **Des. 375,270**

[45] Date of Patent: ****Nov. 5, 1996**

[54] **COUPLING MEMBER FOR FRAMES**

D. 300,698 4/1989 Price D25/119 X

[75] Inventors: **Shigekazu Nagai; Koji Sugano**, both of Ibaraki-ken, Japan

Primary Examiner—Antoine Duval Davis
Attorney, Agent, or Firm—Oblon, Spivak, McClelland, Maier, & Neustadt, P.C.

[73] Assignee: **SMC Kabushiki Kaisha**, Tokyo, Japan

[**] Term: **14 Years**

[57] **CLAIM**

[21] Appl. No.: **37,747**

The ornamental design for a coupling member for frames, as shown.

[22] Filed: **Apr. 18, 1995**

DESCRIPTION

[30] **Foreign Application Priority Data**

Oct. 19, 1994 [JP] Japan 6-31730

[52] U.S. Cl. **D10/94; D10/96; D10/85; D25/119**

[58] Field of Search D10/85, 94, 96; D23/233, 235, 249; 137/271, 500, 861, 884; 417/174

FIG. 1 is a top plan view of a coupling member for frames, showing our new design;
FIG. 2 is a front view thereof;
FIG. 3 is a right side view thereof;
FIG. 4 is a left side view thereof;
FIG. 5 is a bottom view thereof; and,
FIG. 6 is a perspective view thereof.

[56] **References Cited**

U.S. PATENT DOCUMENTS

D. 254,733 1/1995 Ingraham D25/119 X

1 Claim, 3 Drawing Sheets

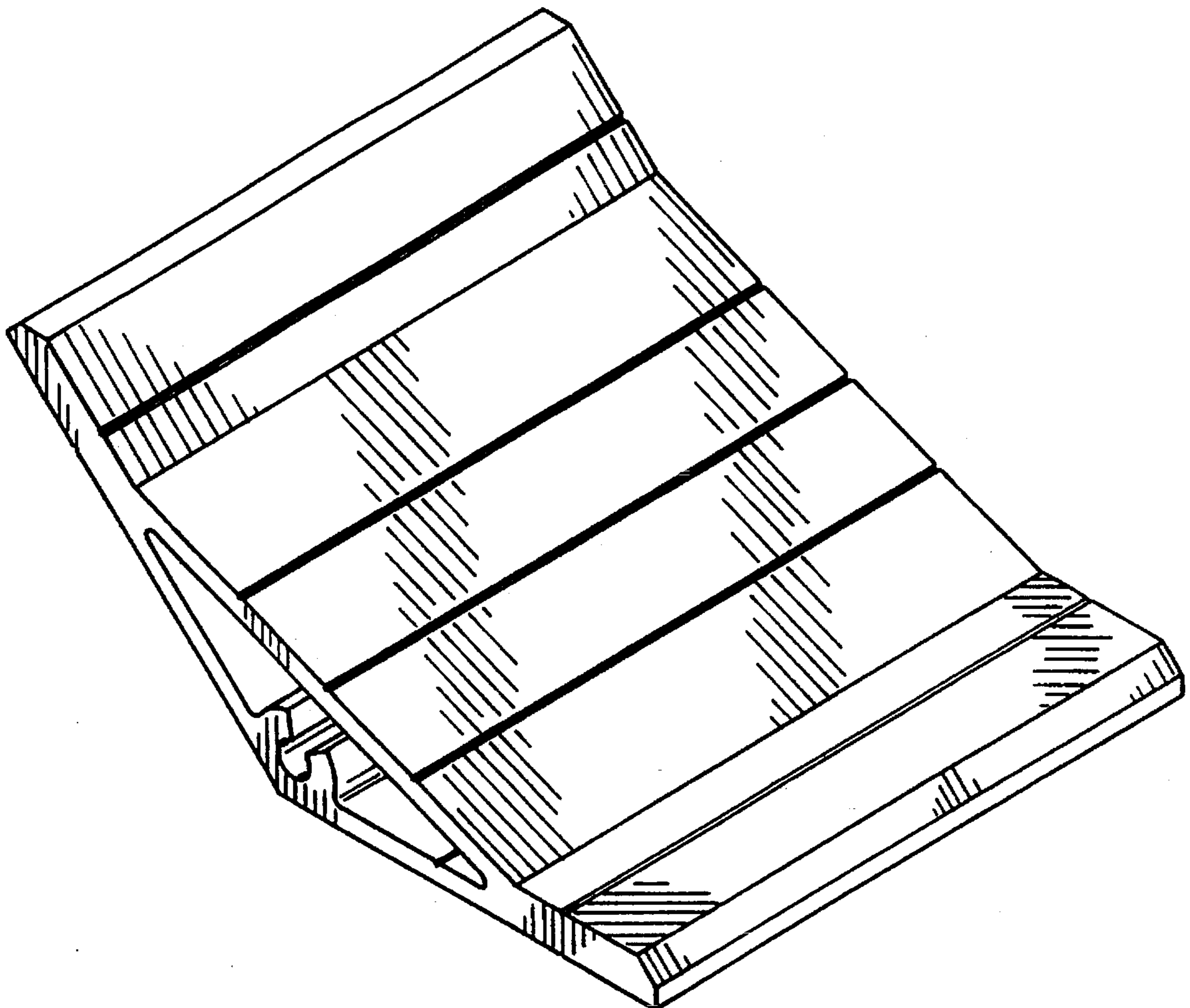


FIG. 1

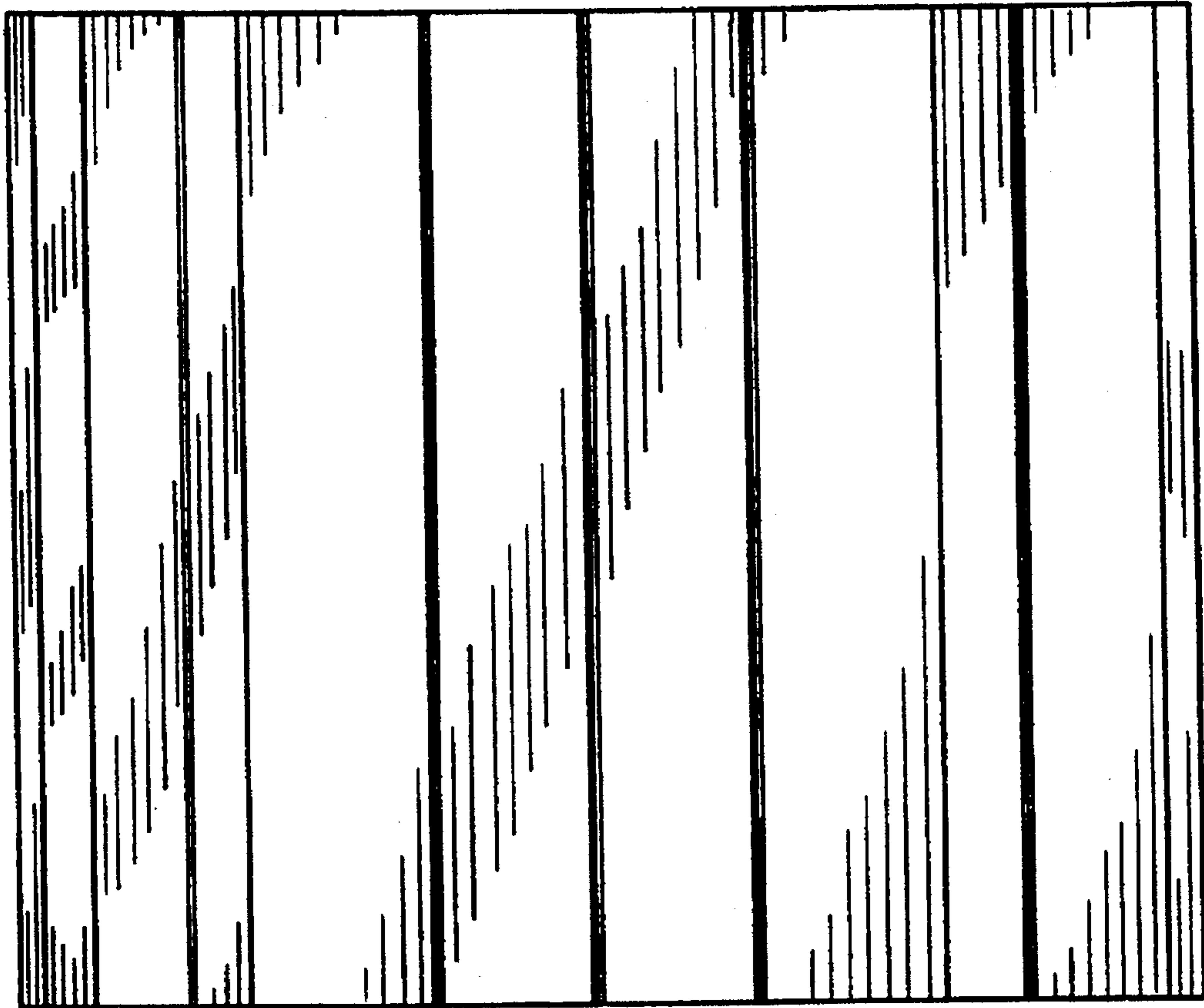


FIG. 2

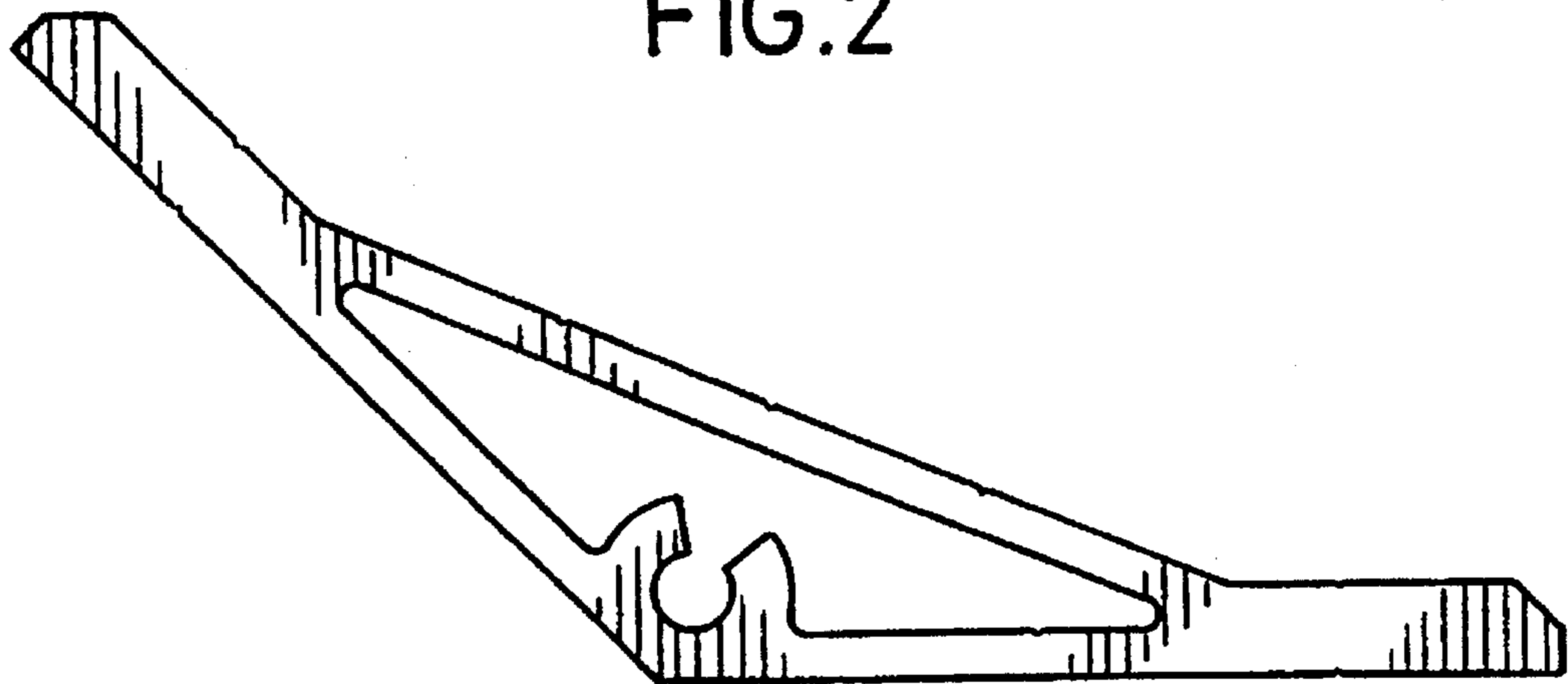


FIG.3

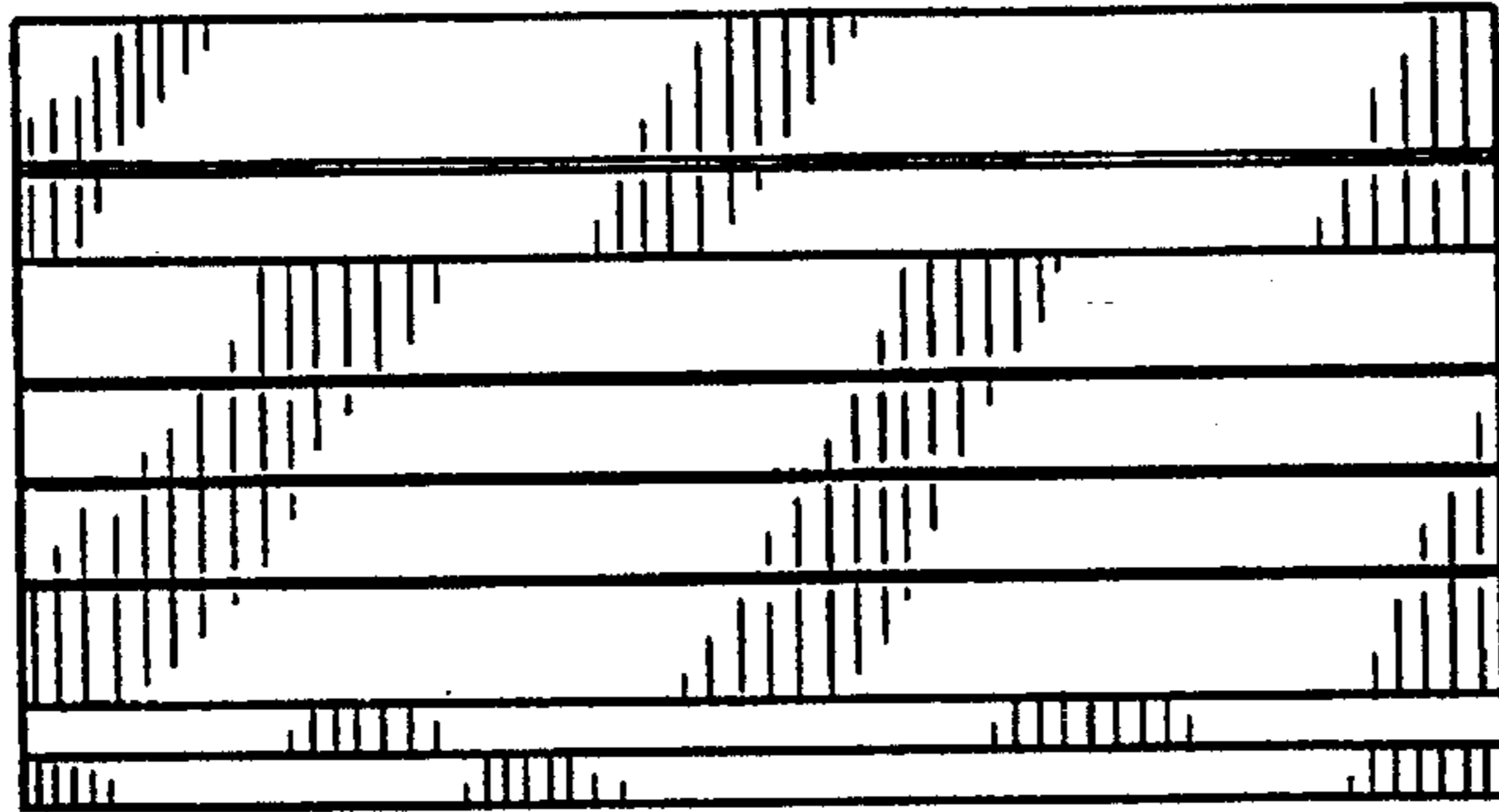


FIG.4

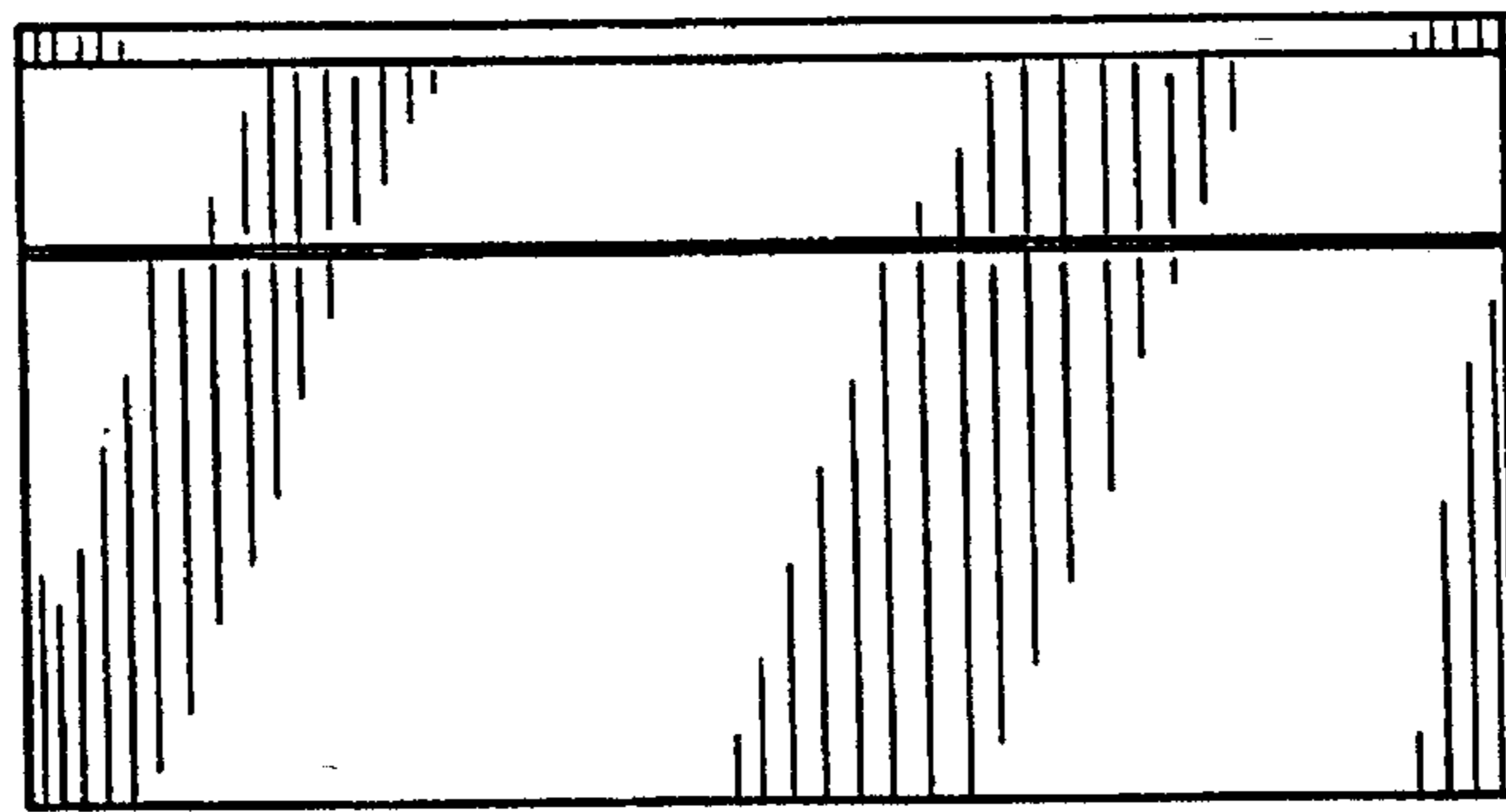


FIG.5

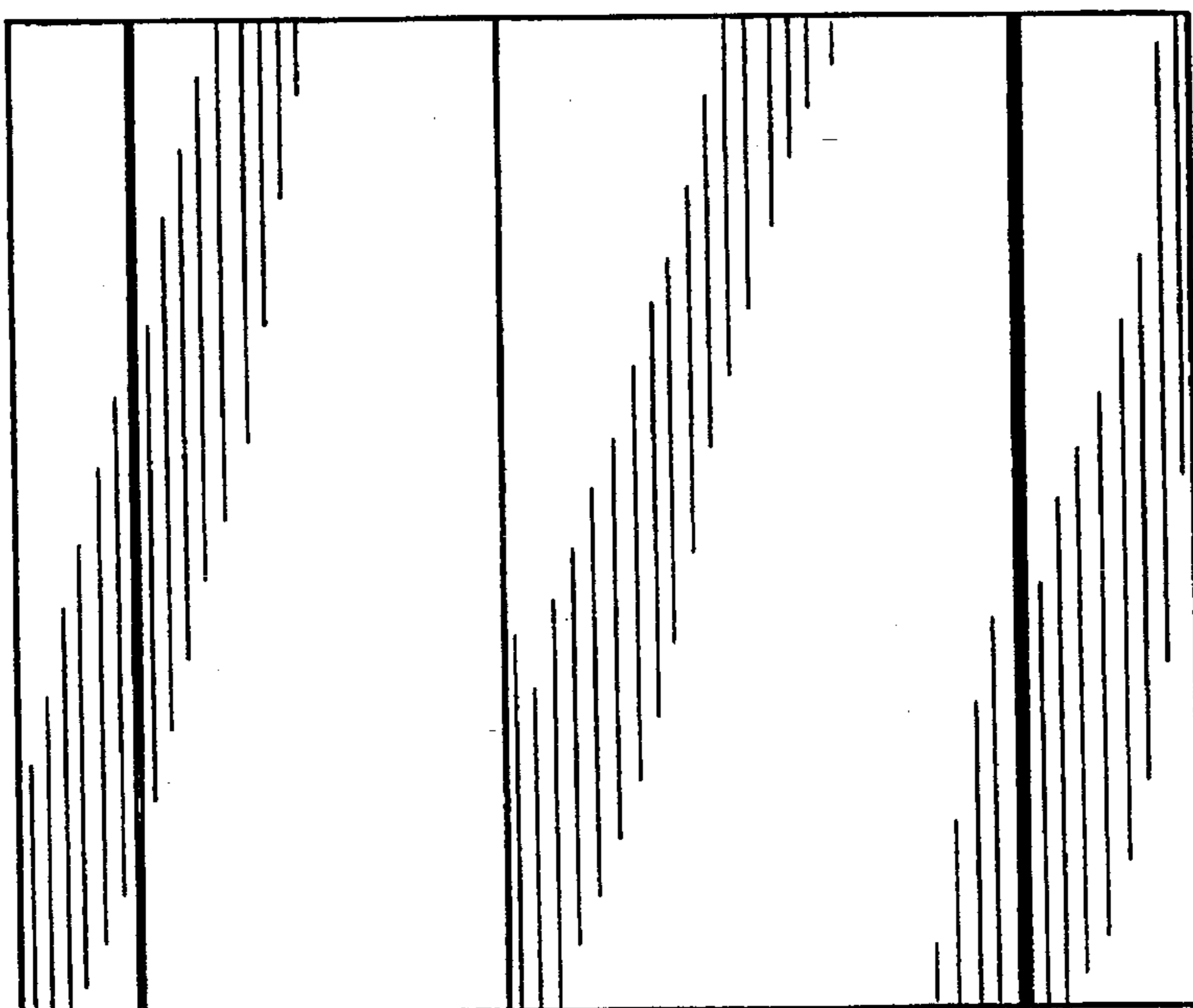


FIG. 6

