



US00D375268S

United States Patent [19]
Stryczek

[11] **Patent Number:** **Des. 375,268**
[45] **Date of Patent:** ****Nov. 5, 1996**

[54] **GOLF BREAK FINDING ACCESSORY FOR ATTACHMENT TO DIVERSE ARTICLES**

[75] Inventor: **Michael E. Stryczek**, Phoenix, Ariz.

[73] Assignee: **StryStar International, L.L.C.**, Phoenix, Ariz.

[**] Term: **14 Years**

[21] Appl. No.: **47,863**

[22] Filed: **Dec. 13, 1995**

[52] U.S. Cl. **D10/68; D21/234**

[58] Field of Search **D10/68; D21/234; 33/355 R, 373, 334, 384; 473/241**

[56] **References Cited**

U.S. PATENT DOCUMENTS

Re. 27,496 4/1973 Metcalf 29/456
D. 335,261 5/1993 Cowles, III D10/68

3,364,582 1/1968 Hawk 33/378
4,902,014 2/1990 Bontomase et al. 473/241
5,174,572 12/1992 Ho 423/241
5,219,169 6/1993 Martini 473/241
5,509,657 4/1996 Guthry 473/241

Primary Examiner—Antoine Duval Davis
Attorney, Agent, or Firm—James H. Phillips

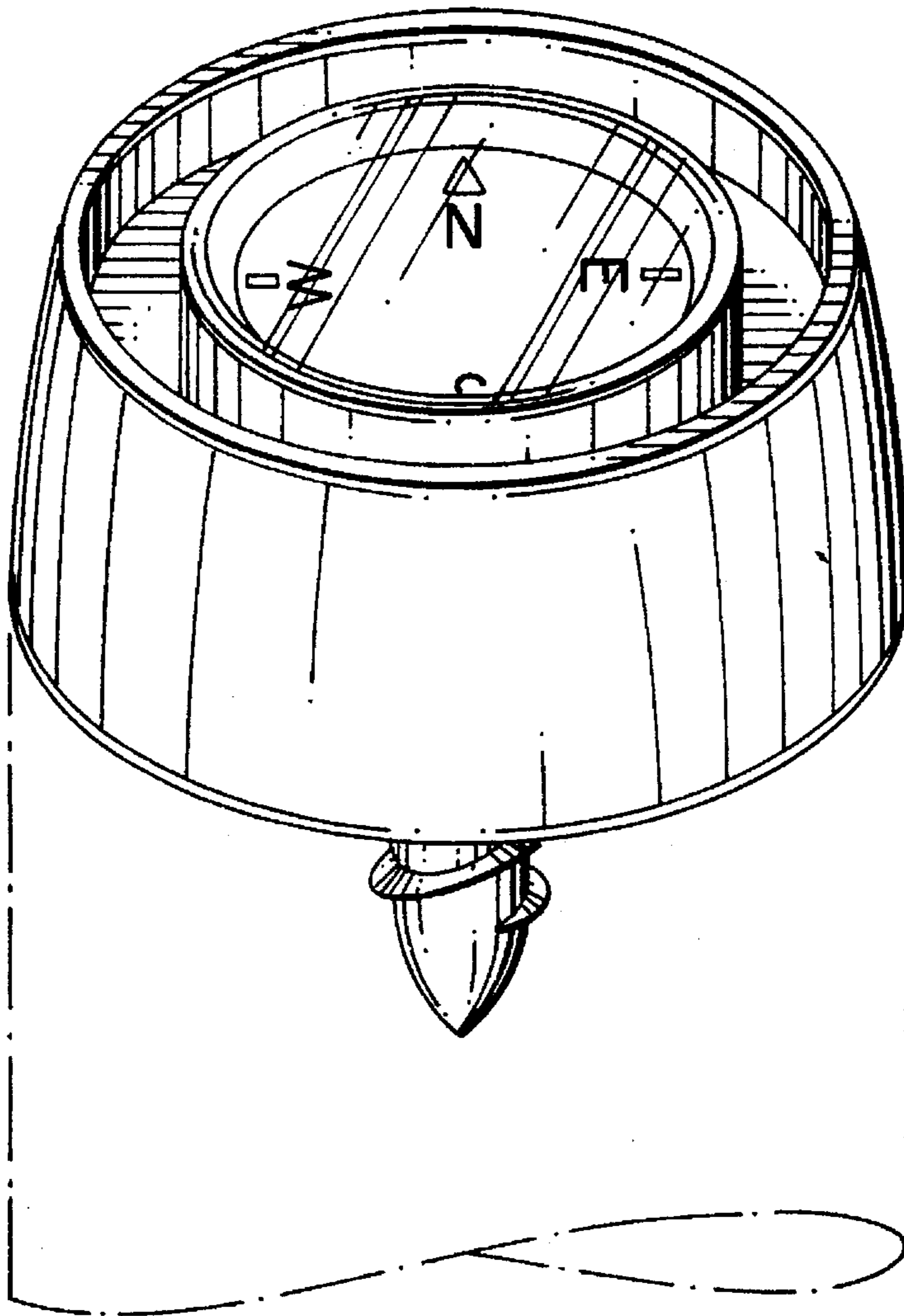
[57] **CLAIM**

The ornamental design for golf break finding accessory for attachment to diverse articles, as shown and described.

DESCRIPTION

FIG. 1 is a perspective view of my design;
FIG. 2 is a side view of my design;
FIG. 3 is a top view of my design; and,
FIG. 4 is a bottom view of my design.
The broken line showing of partial shaft is for illustrative purposes only and forms no part of the claimed design.

1 Claim, 1 Drawing Sheet



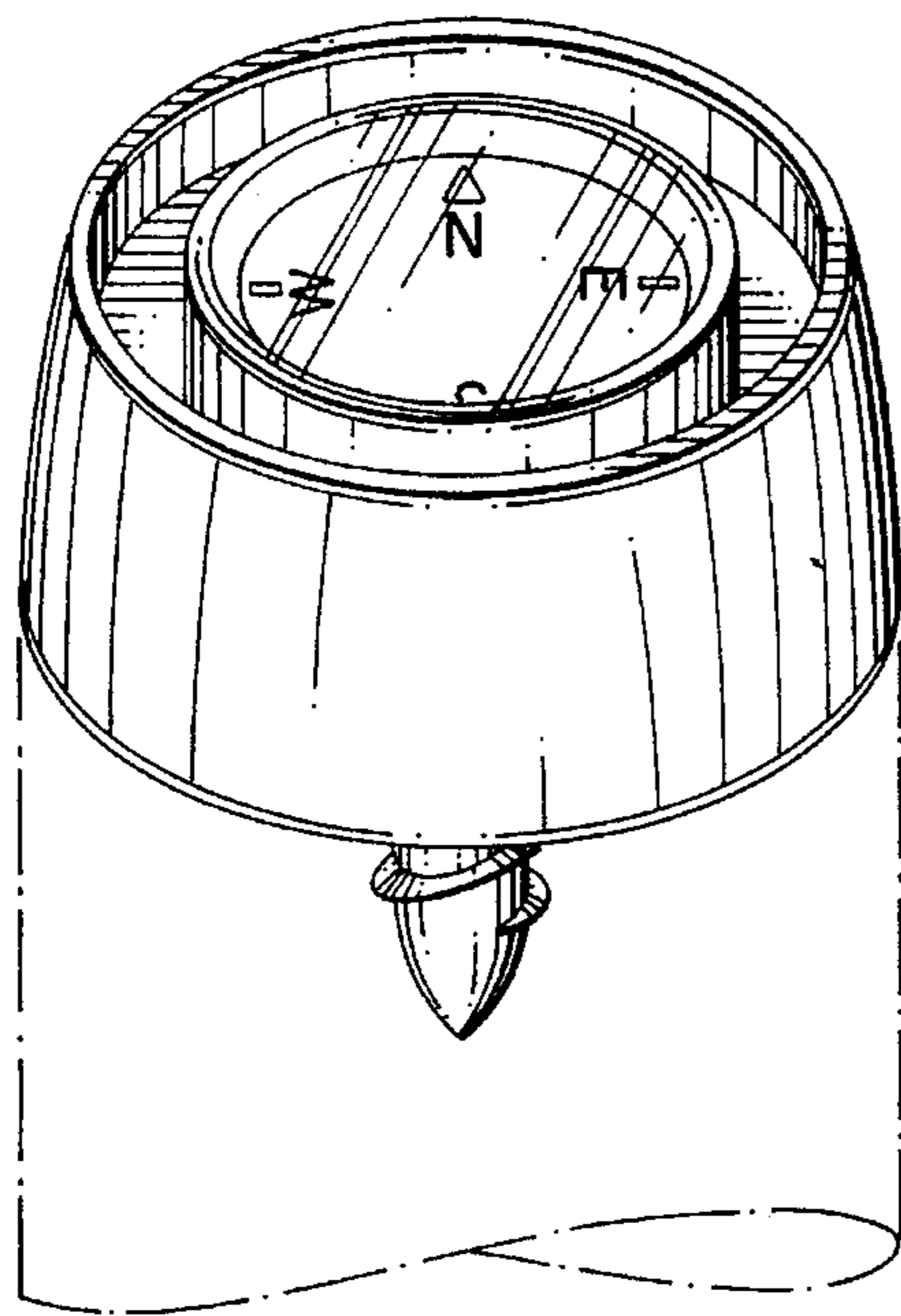


FIG. 1

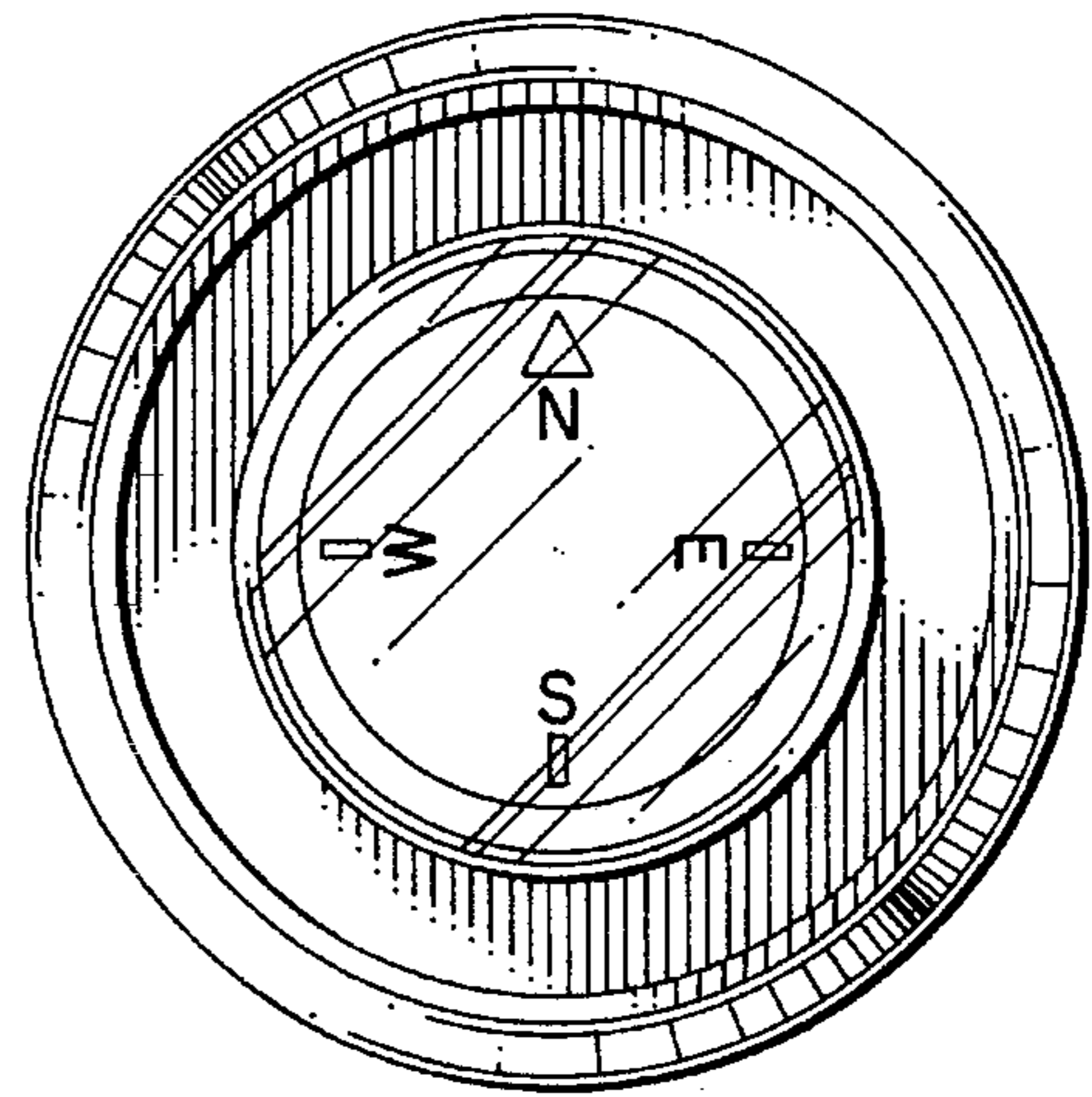


FIG. 3

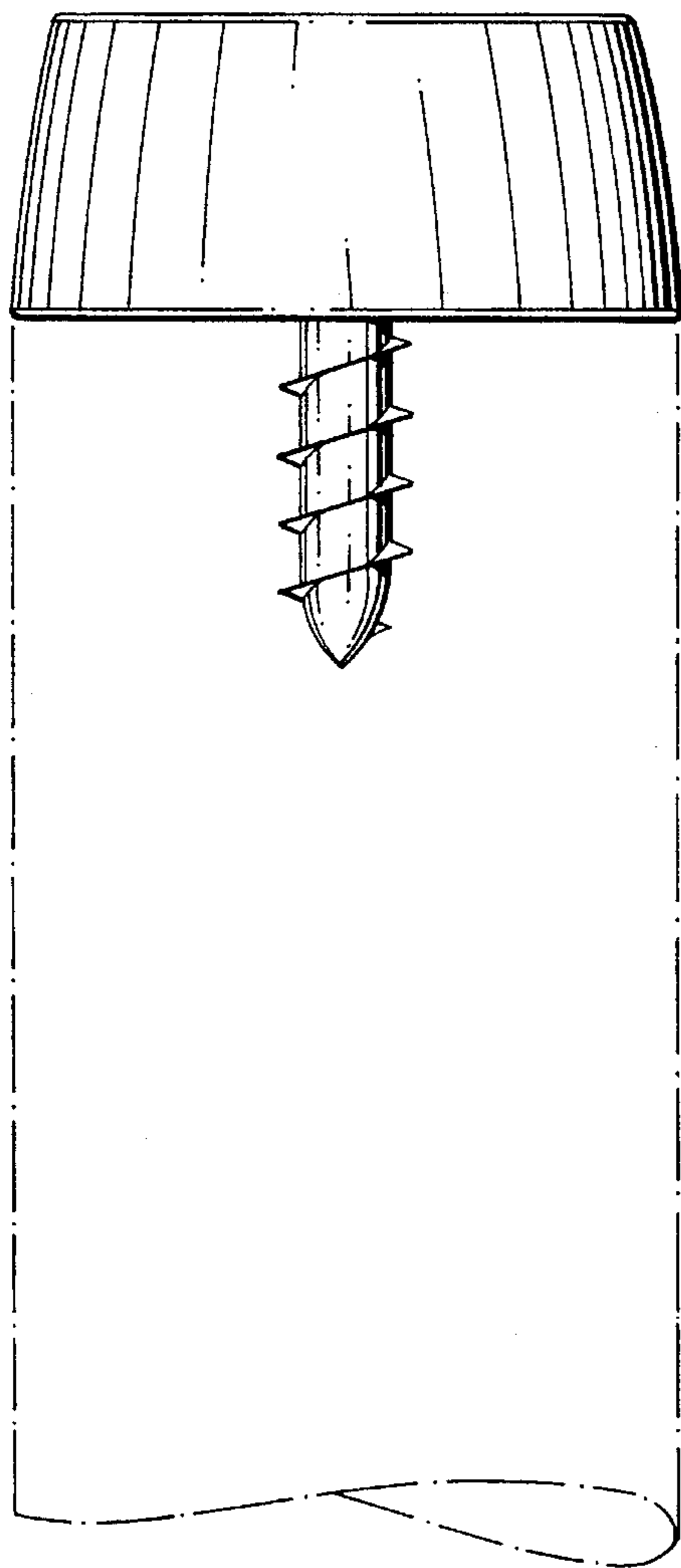


FIG. 2

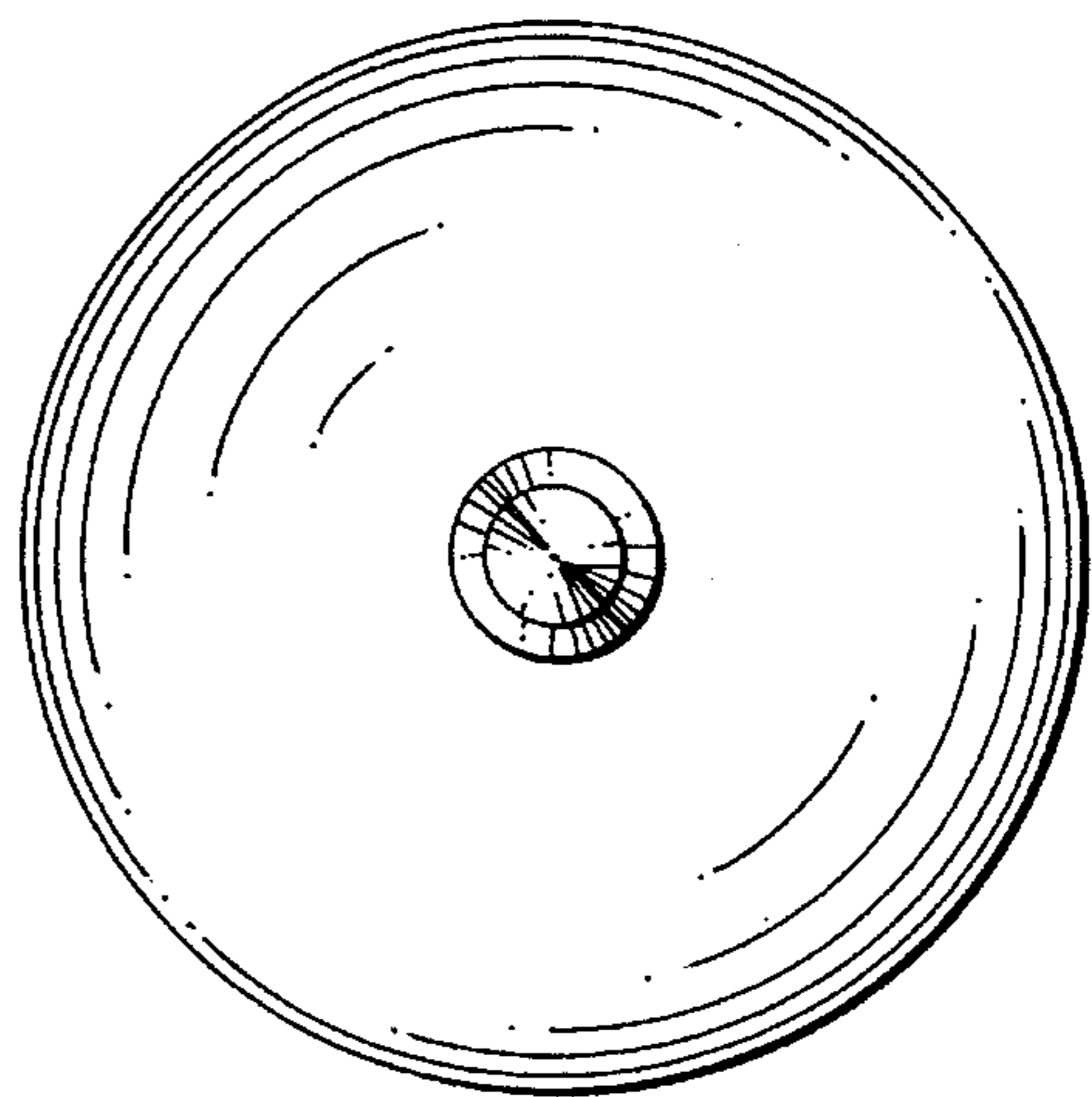


FIG. 4