



US00D375267S

United States Patent [19]
Krobatsch

[11] **Patent Number:** **Des. 375,267**
[45] **Date of Patent:** ****Nov. 5, 1996**

[54] **SPINNING REEL CLOCK**

[76] **Inventor:** **John Krobatsch**, 3361 NE. 13 Ave.,
Pompano Beach, Fla. 33064

[**] **Term:** **14 Years**

[21] **Appl. No.:** **41,141**

[22] **Filed:** **May 1, 1995**

[52] **U.S. Cl.** **D10/6; D10/15; D22/140**

[58] **Field of Search** **D10/6; D22/140;**
368/285, 10

[56] **References Cited**

U.S. PATENT DOCUMENTS

D. 228,302	9/1973	Ingram	D10/6
D. 359,692	6/1995	Krobatsch	D22/140 X
D. 365,279	12/1995	Sculatti	D10/6

OTHER PUBLICATIONS

Lawrence Tackle Mfg. Corp. Catalog=10—Jun. 10, 1958—p. 1—Spinning Reels at bottom.
Sporting Goods Dealer—May, 1969—Daiwa Insert For Spinning Reels (2 Pages).
Best Products Co. Catalog. 1972—p. 379—Spinning Reels.
Primary Examiner—Nelson C. Holtje

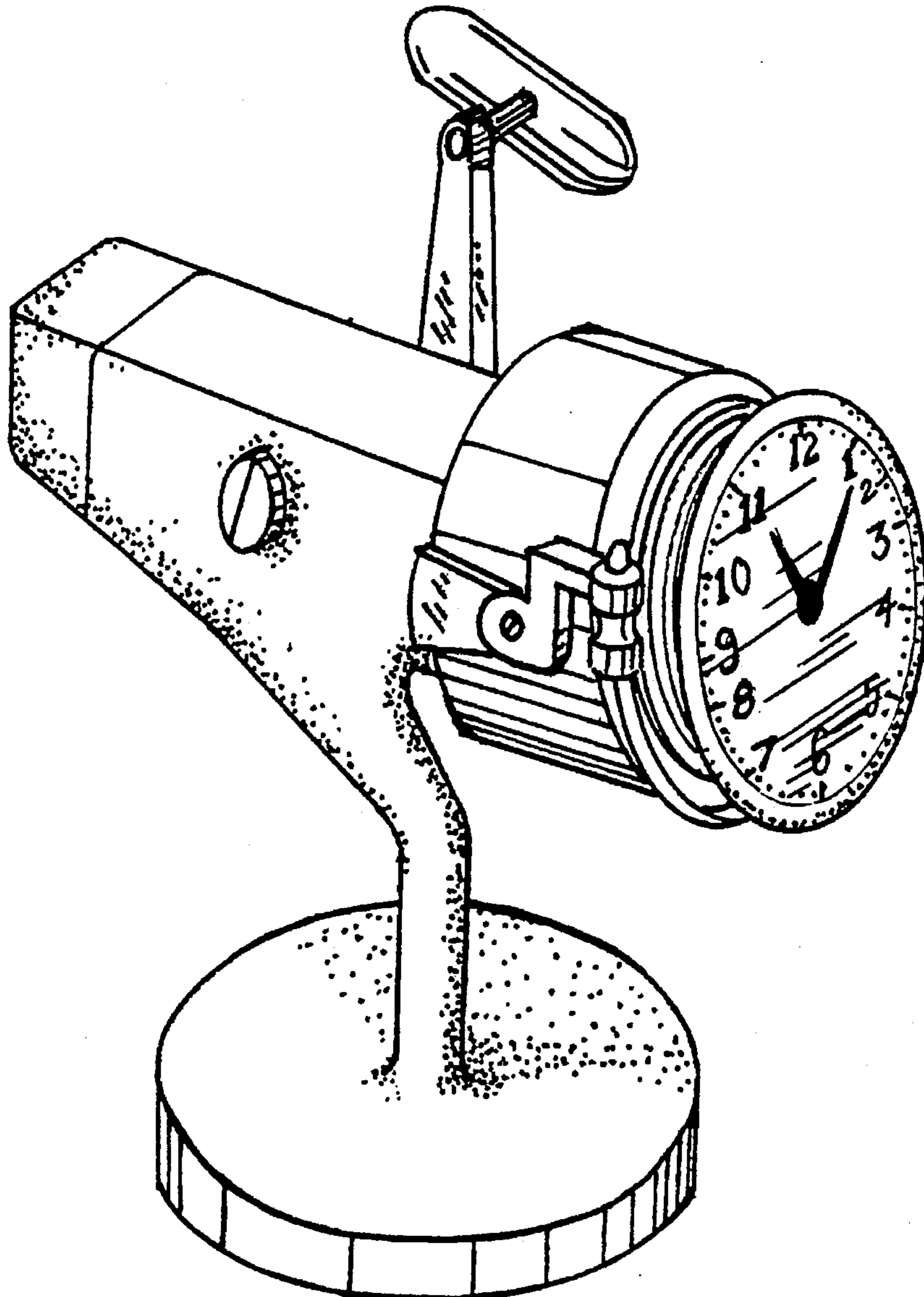
[57] **CLAIM**

The ornamental design for a spinning reel clock, as shown.

DESCRIPTION

FIG. 1 perspective view;
FIG. 2 front view;
FIG. 3 is a right side view;
FIG. 4 is a left side view; and,
FIG. 5 top view.

1 Claim, 5 Drawing Sheets



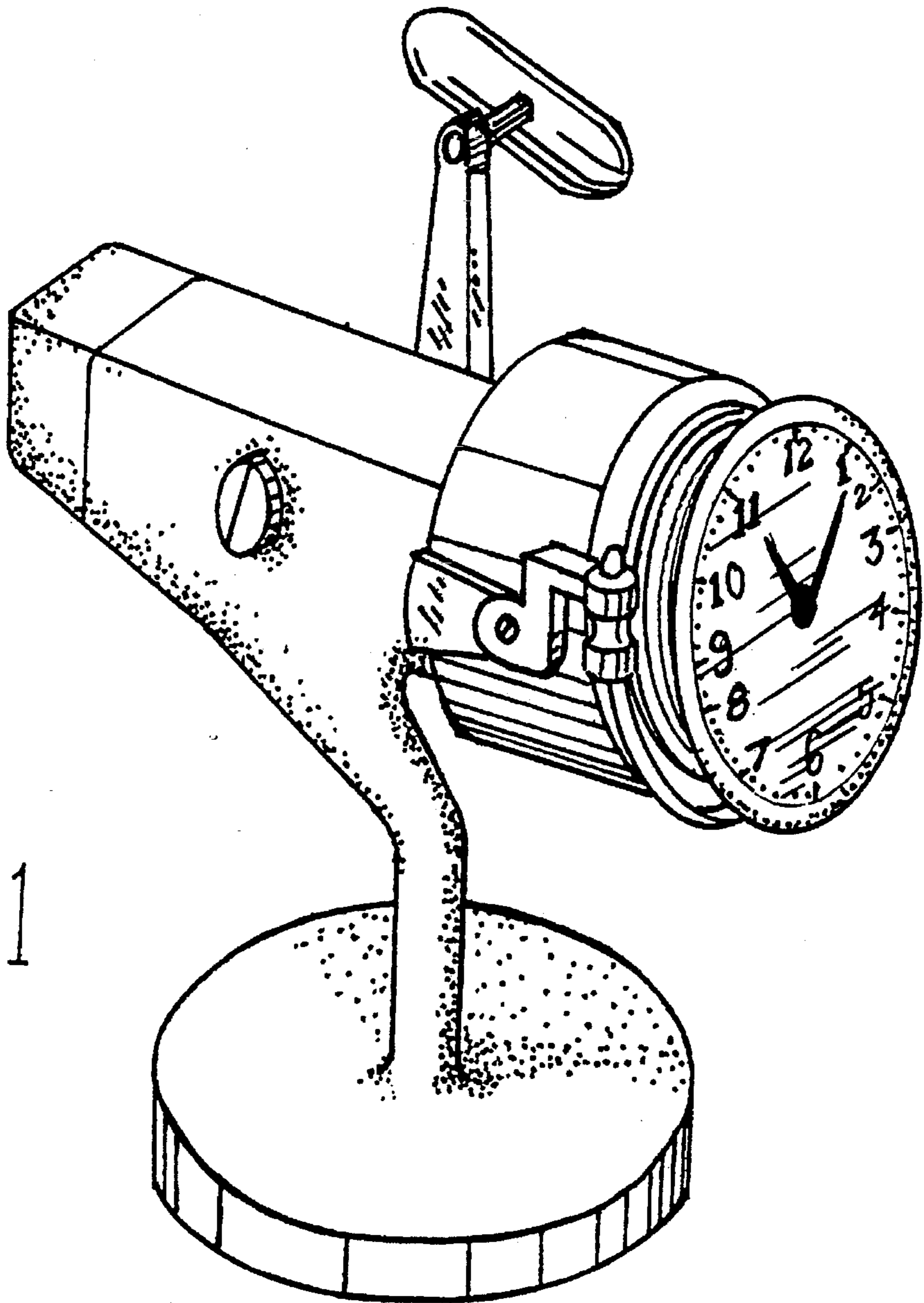


FIG. 1

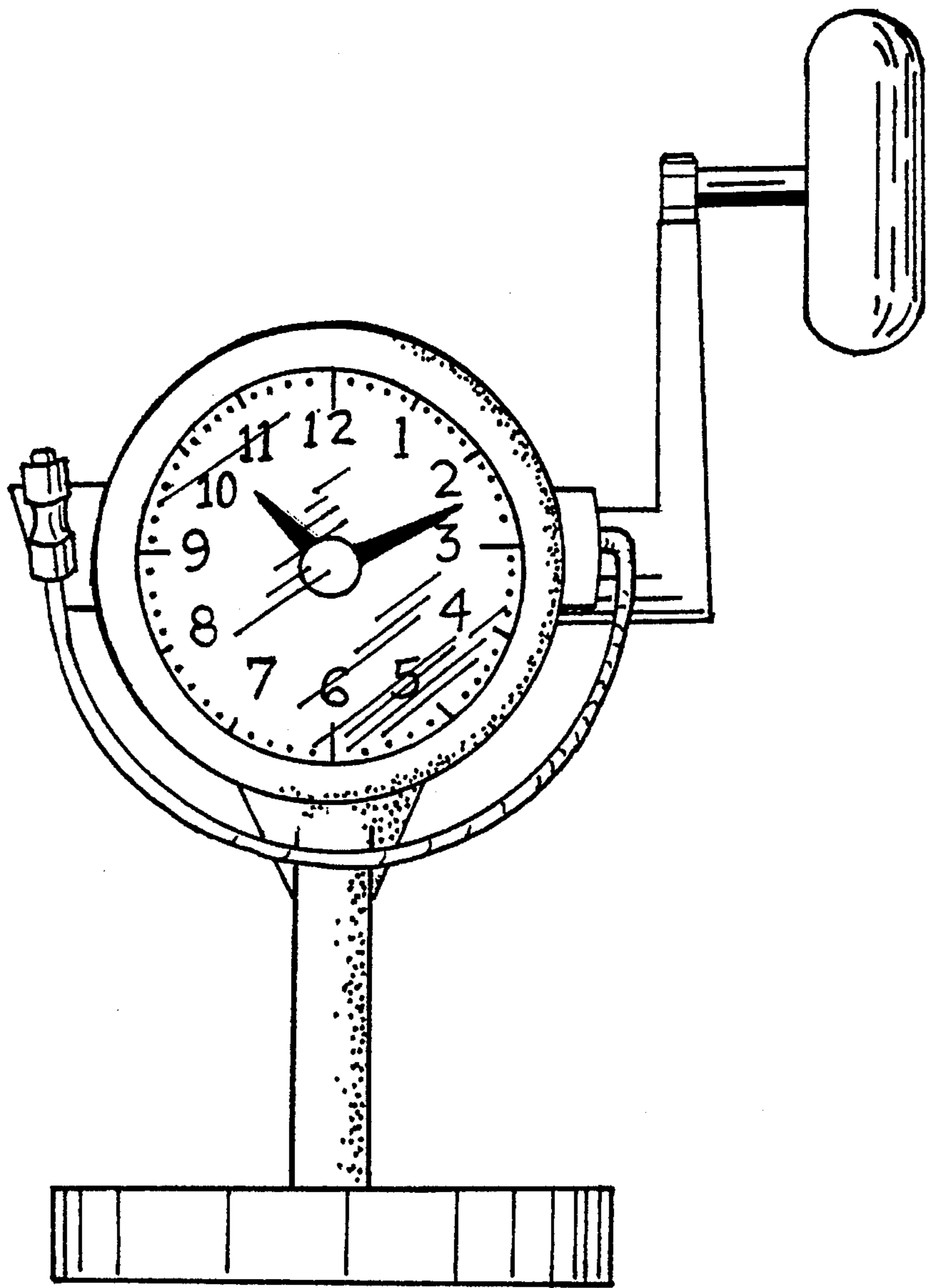


FIG. 2

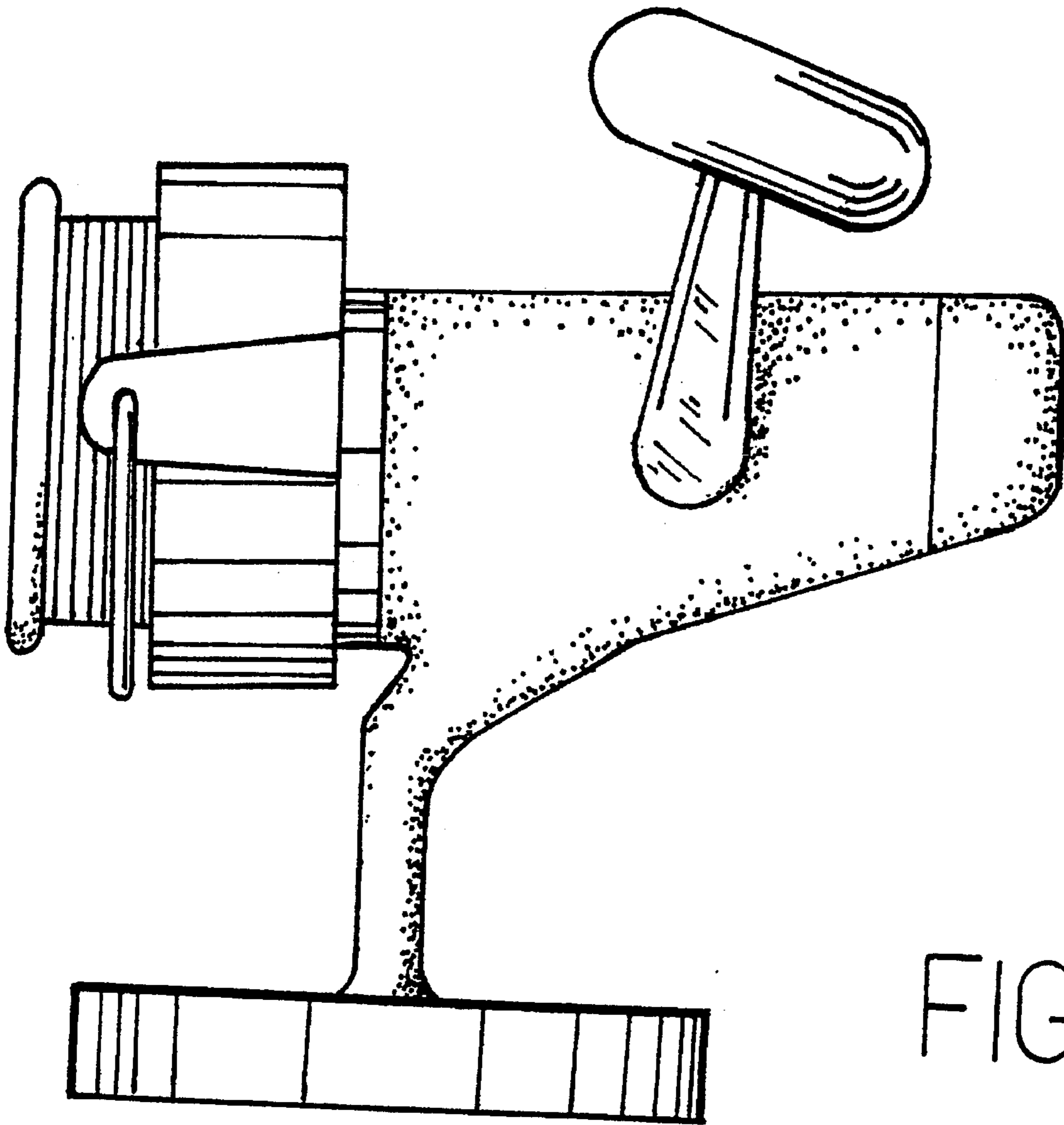
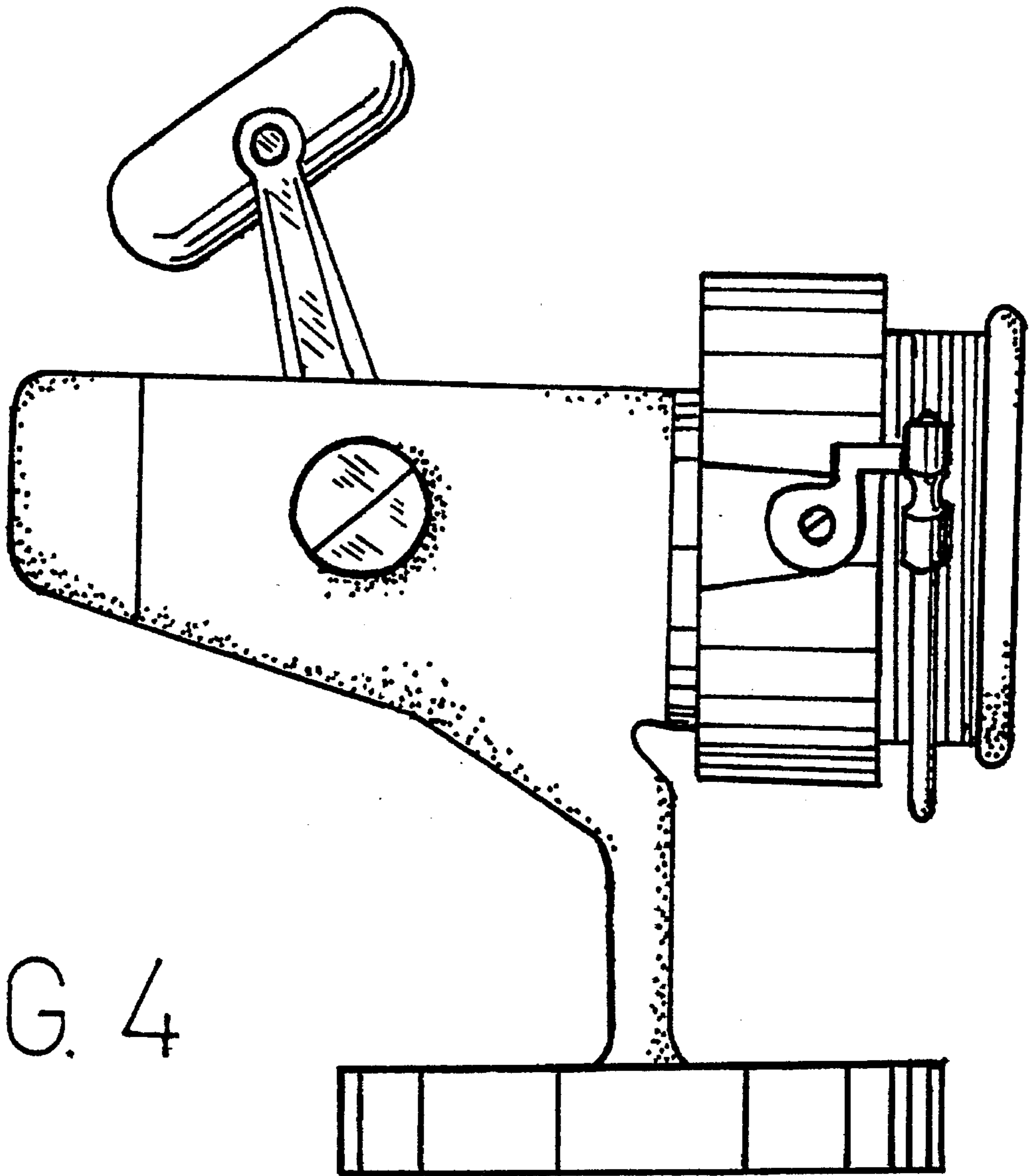


FIG. 3



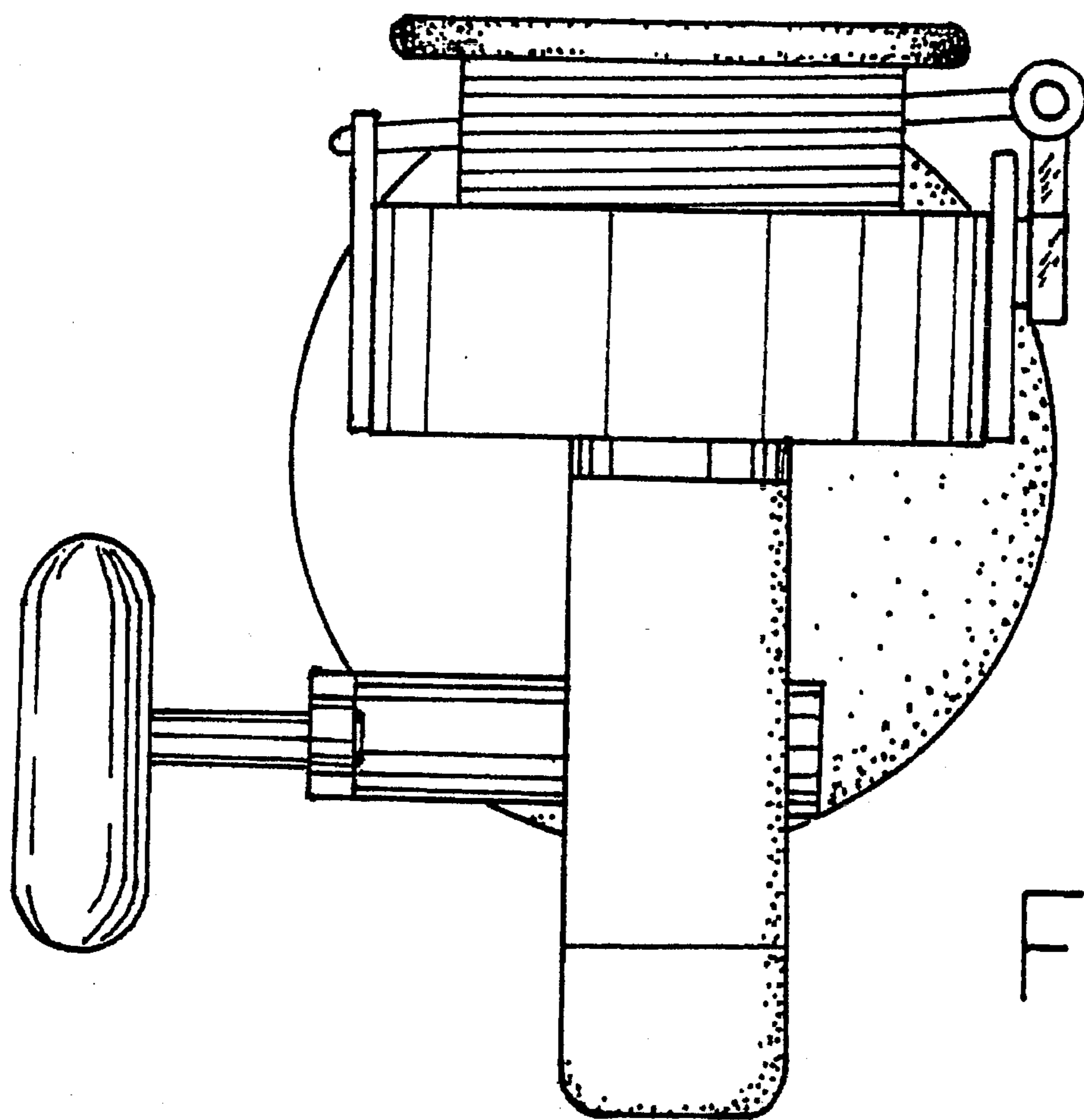


FIG. 5