



US00D375259S

United States Patent [19]
Whitehead

[11] **Patent Number:** **Des. 375,259**

[45] **Date of Patent:** ****Nov. 5, 1996**

[54] **COVERED FOOD TRAY**

[75] Inventor: **Daniel T. Whitehead**, Atlanta, Ga.

[73] Assignee: **DeSter Corporation**, Atlanta, Ga.

[**] Term: **14 Years**

[21] Appl. No.: **43,300**

[22] Filed: **Aug. 31, 1995**

[52] U.S. Cl. **D9/347; D9/420; D9/426**

[58] Field of Search **D9/345-348, 420-426, D9/430, 431; 206/521.15, 521.3, 521.4, 541; 220/4.22, 4.23, 523, 526; 229/902, 904**

[56] **References Cited**

U.S. PATENT DOCUMENTS

D. 269,854	7/1983	Commisso	D9/426 X
D. 351,997	11/1994	Finnah	D9/425 X
3,611,785	1/1972	Cyr	220/526 X
3,876,130	4/1975	Haase	220/4.23 X
5,094,355	3/1992	Clark et al.	220/523 X

Primary Examiner—Sandra L. Morris
Assistant Examiner—Nanda Bondade
Attorney, Agent, or Firm—Kennedy & Kennedy

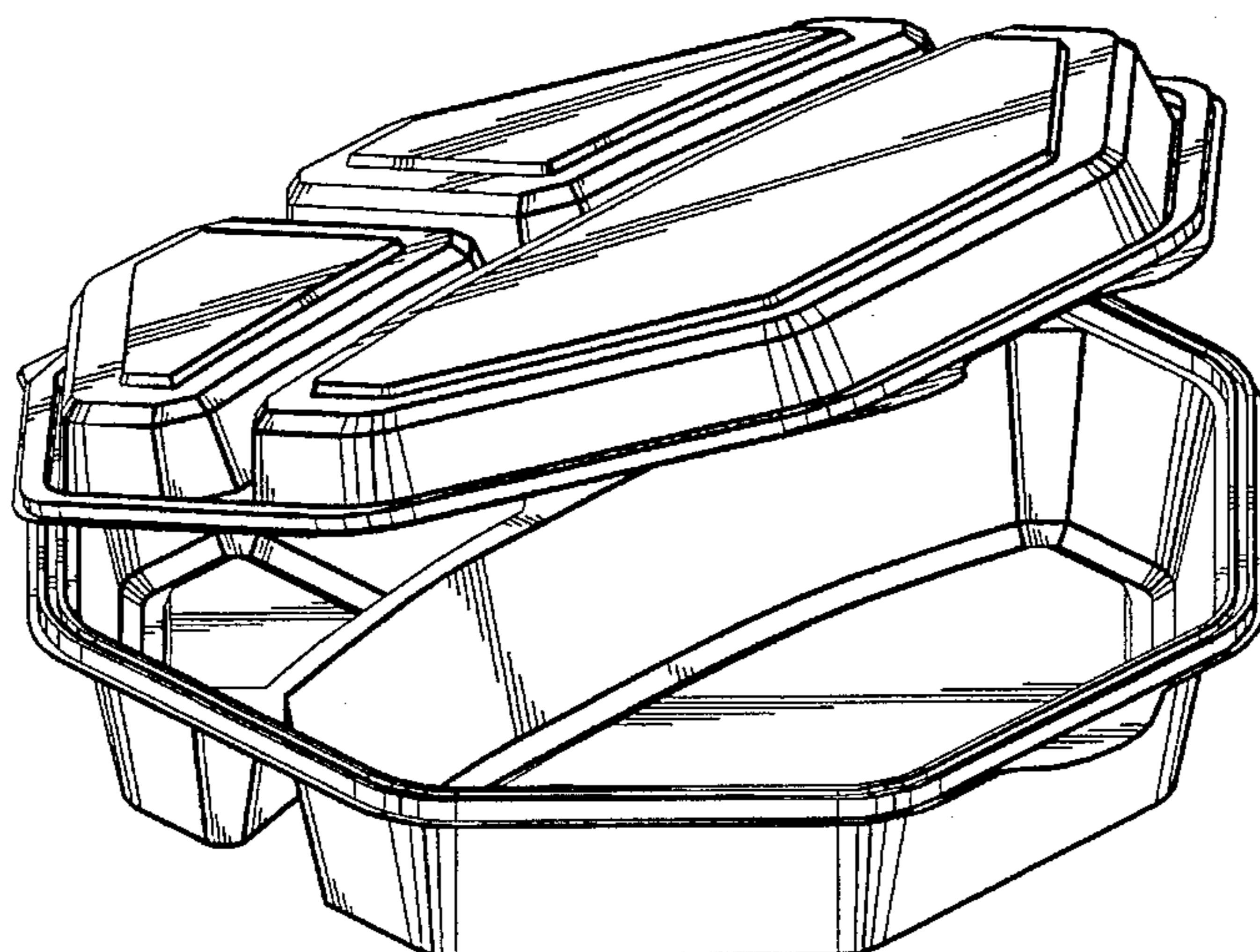
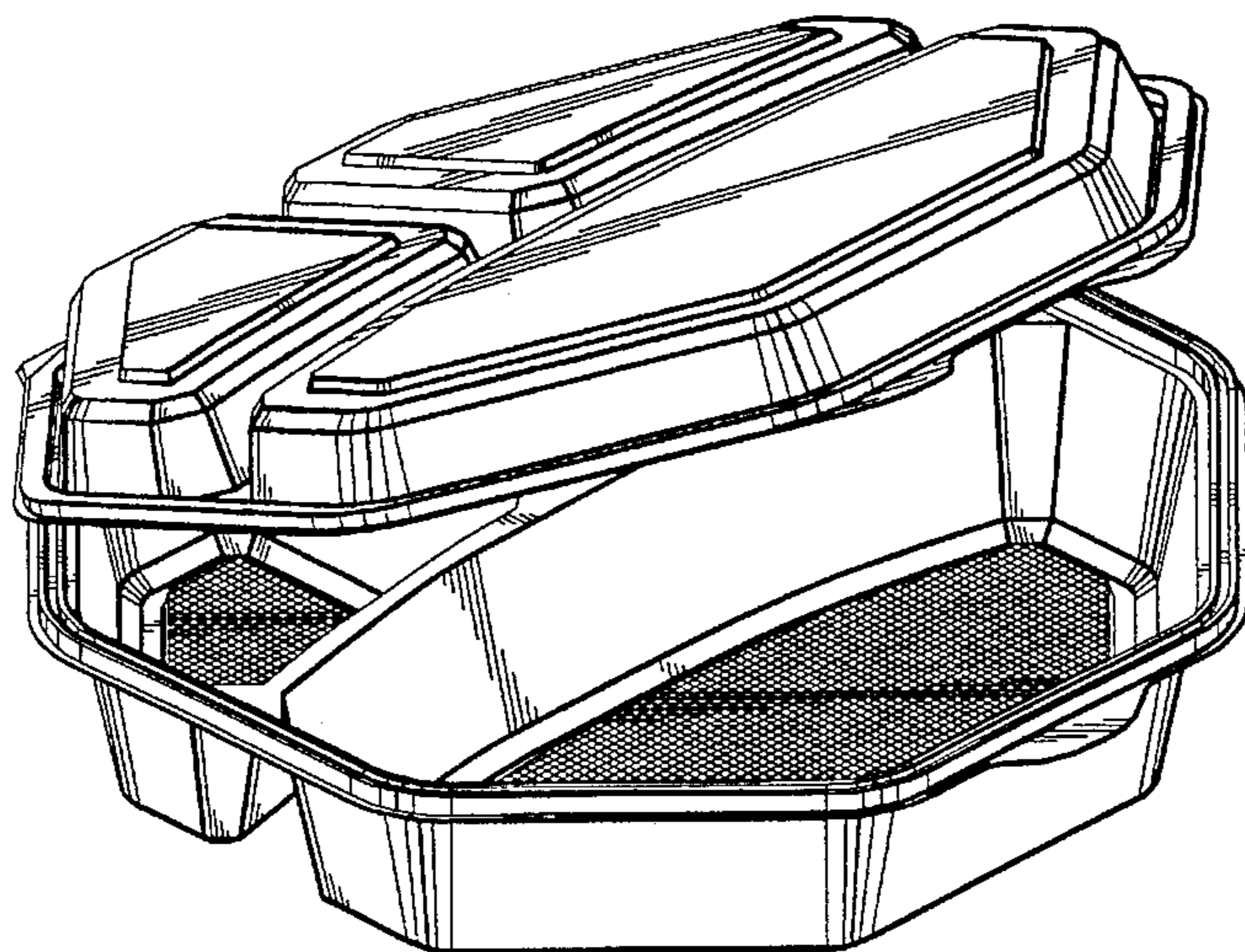
[57] **CLAIM**

The ornamental design for a covered food tray, as shown and described.

DESCRIPTION

FIG. 1 is a perspective view of a covered food tray in a partially opened configuration, showing my new design; FIG. 2 is a perspective view thereof in a closed configuration; FIG. 3 is a front view thereof; FIG. 4 is a rear view thereof; FIG. 5 is a right side view, the left side being a mirror image thereof; FIG. 6 is a top view thereof; FIG. 7 is a bottom view thereof; FIG. 8 is a perspective view of an alternate embodiment of FIG. 1; and, FIG. 9 is a bottom plan view of FIG. 8 .

1 Claim, 4 Drawing Sheets



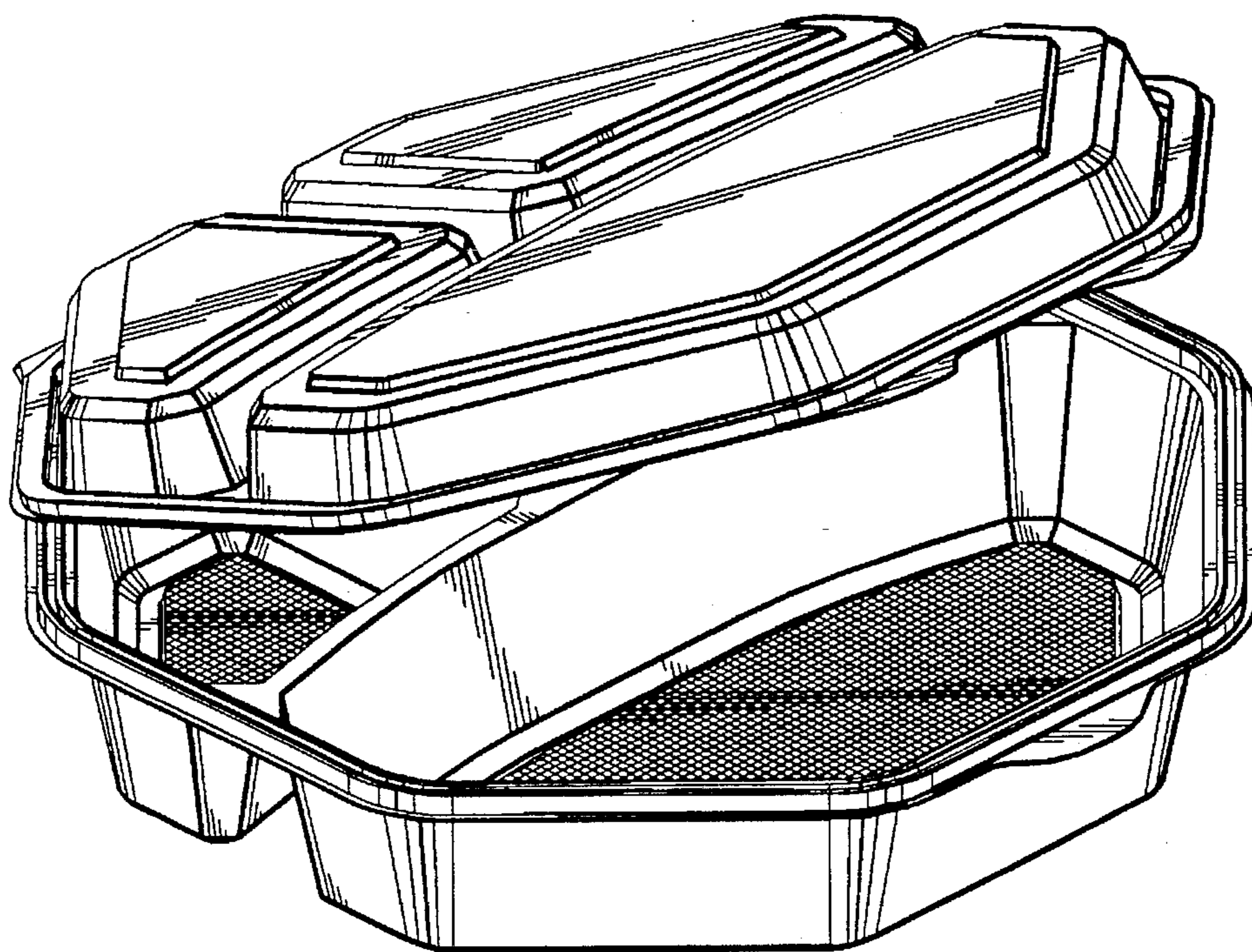


FIG 1

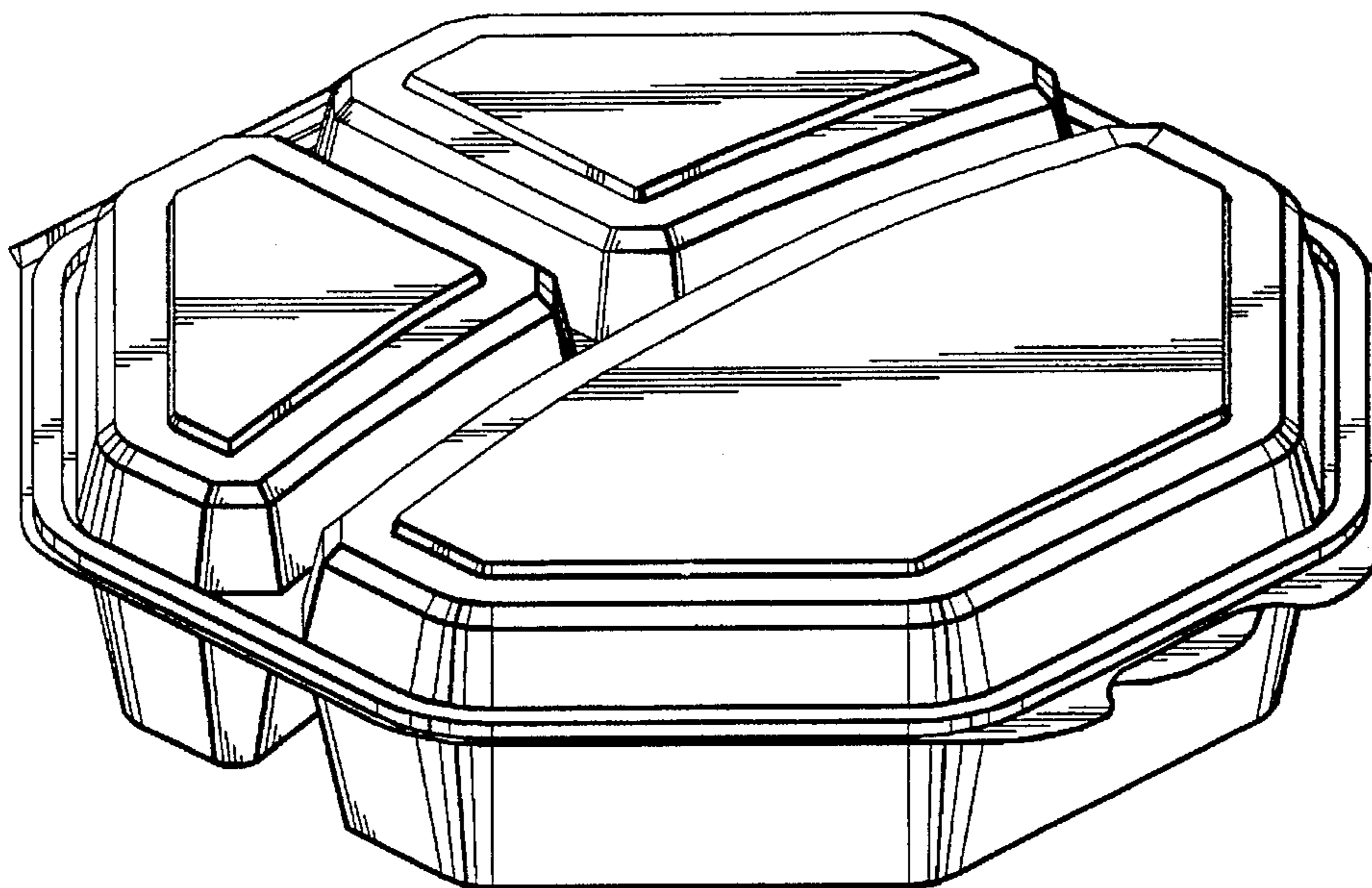


FIG 2

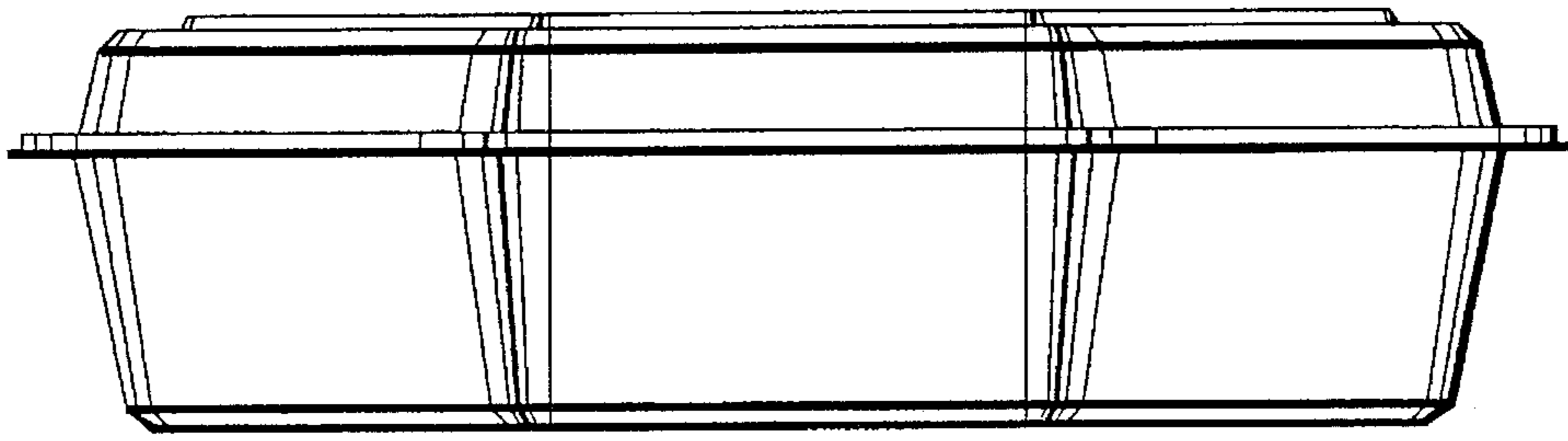


FIG 3

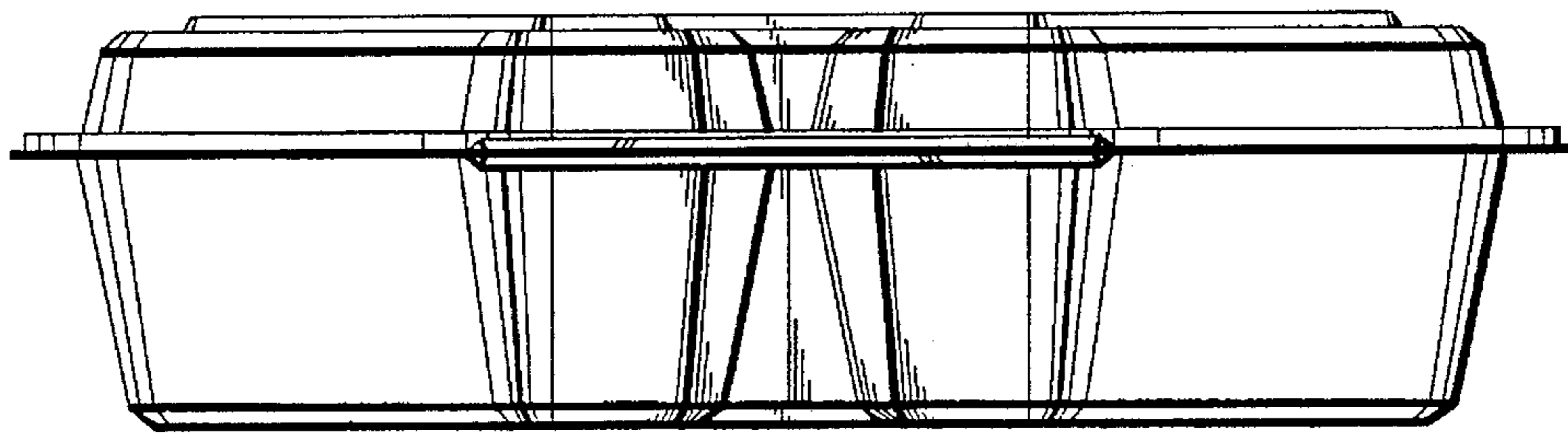


FIG 4

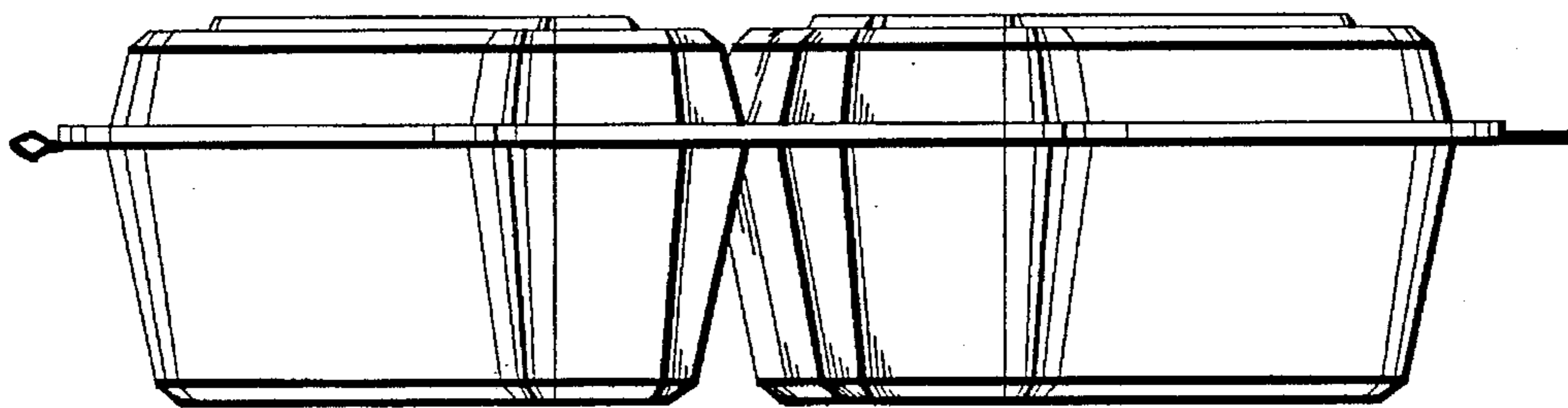


FIG 5

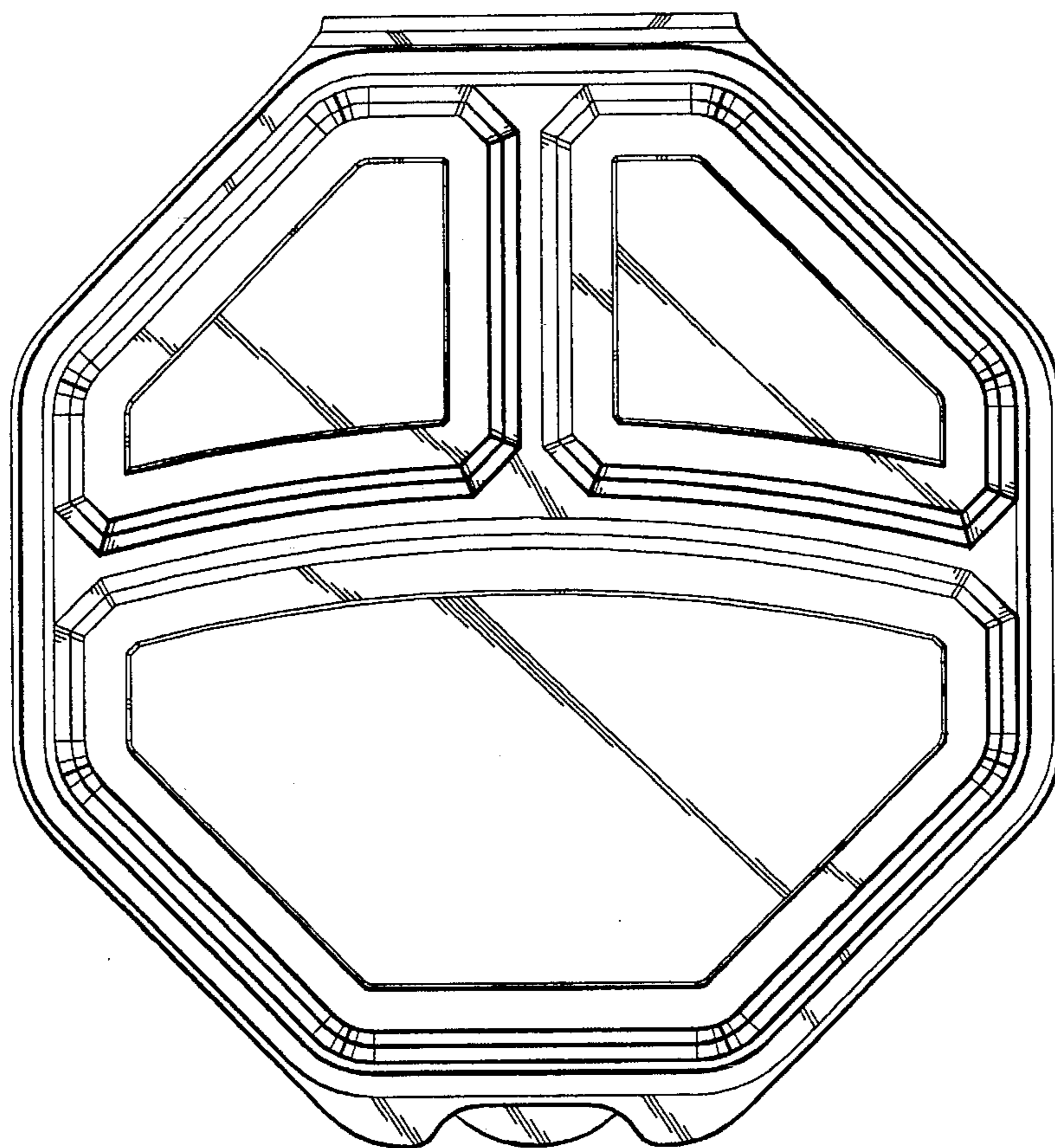


FIG 6

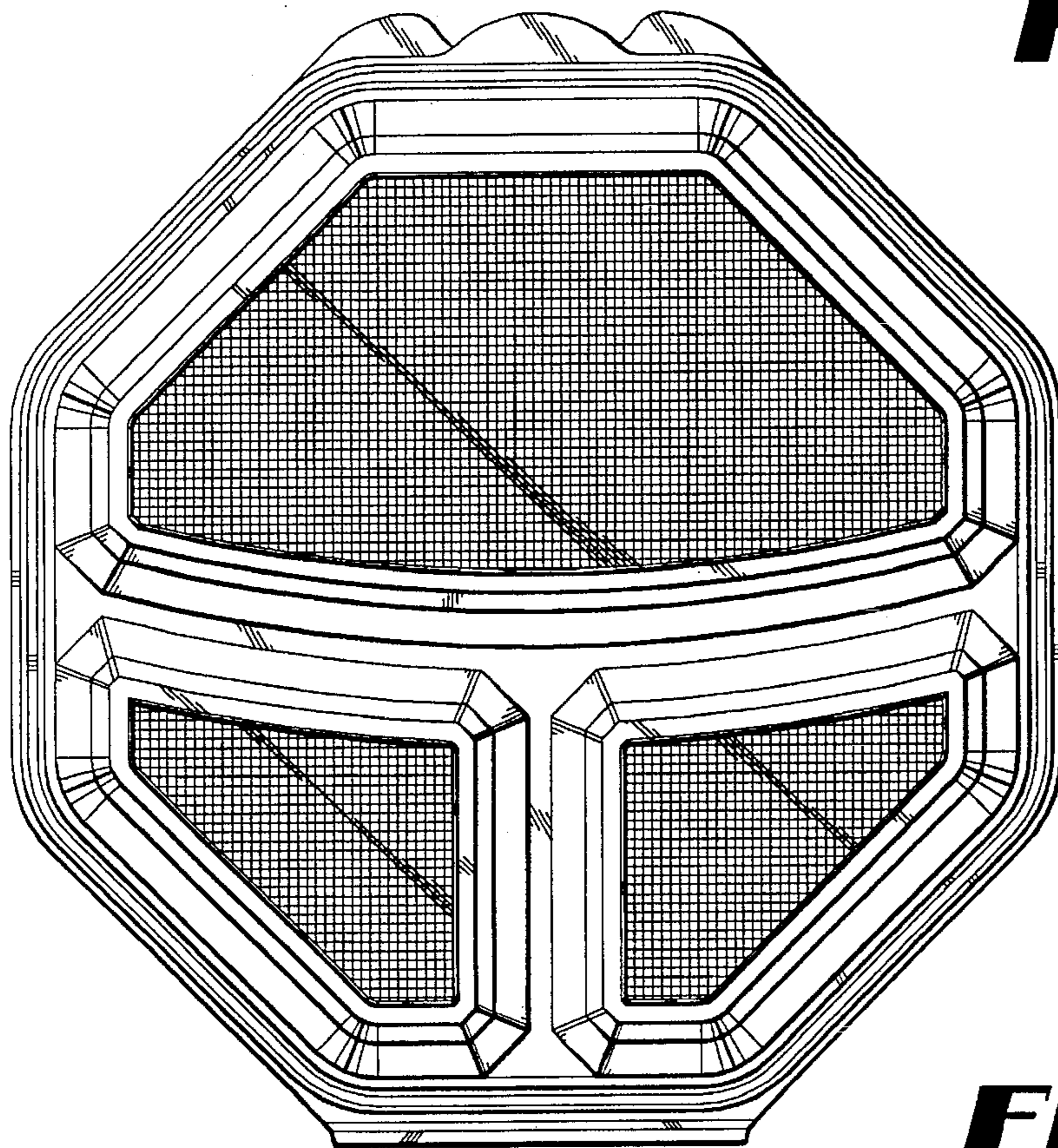


FIG 7

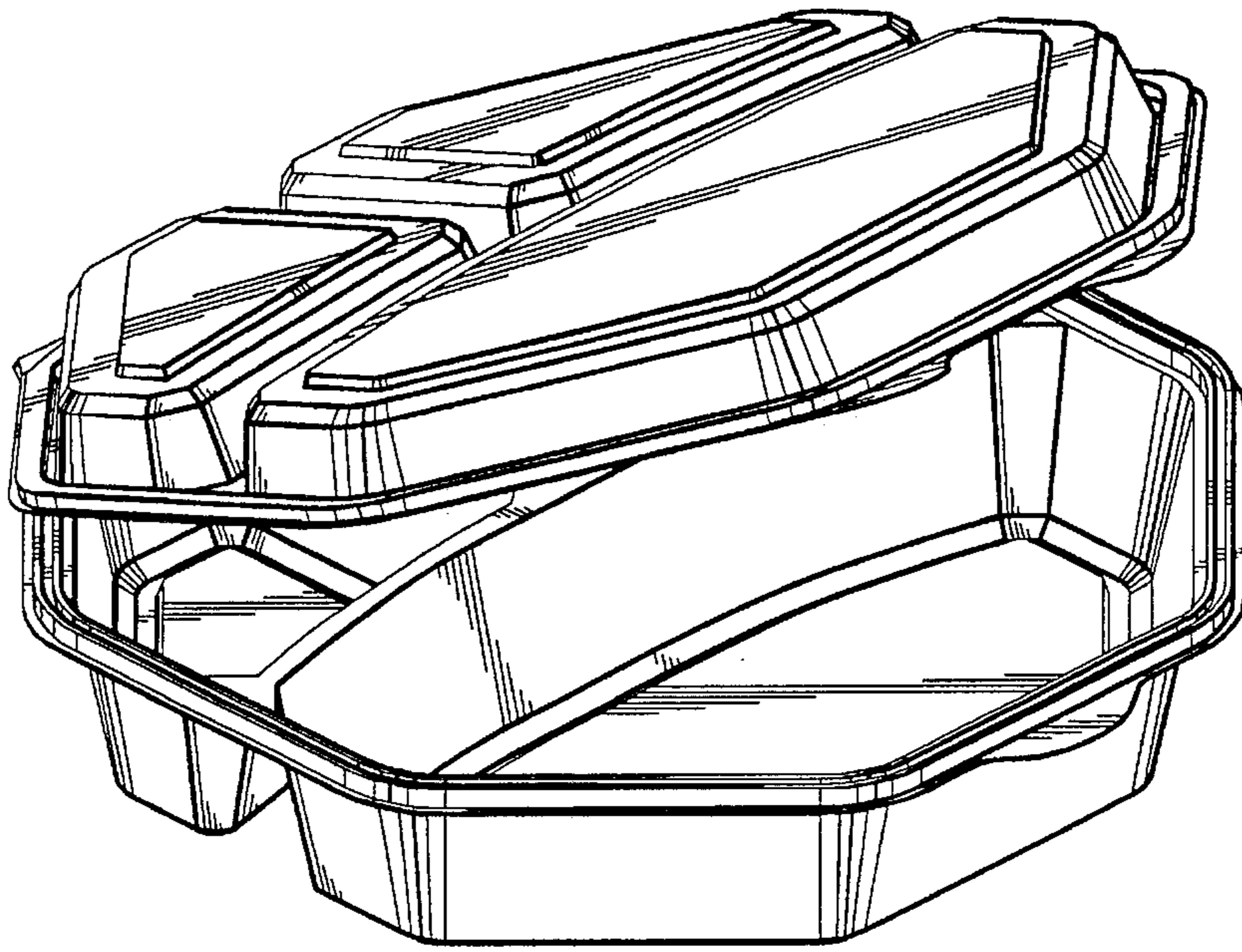


FIG 8

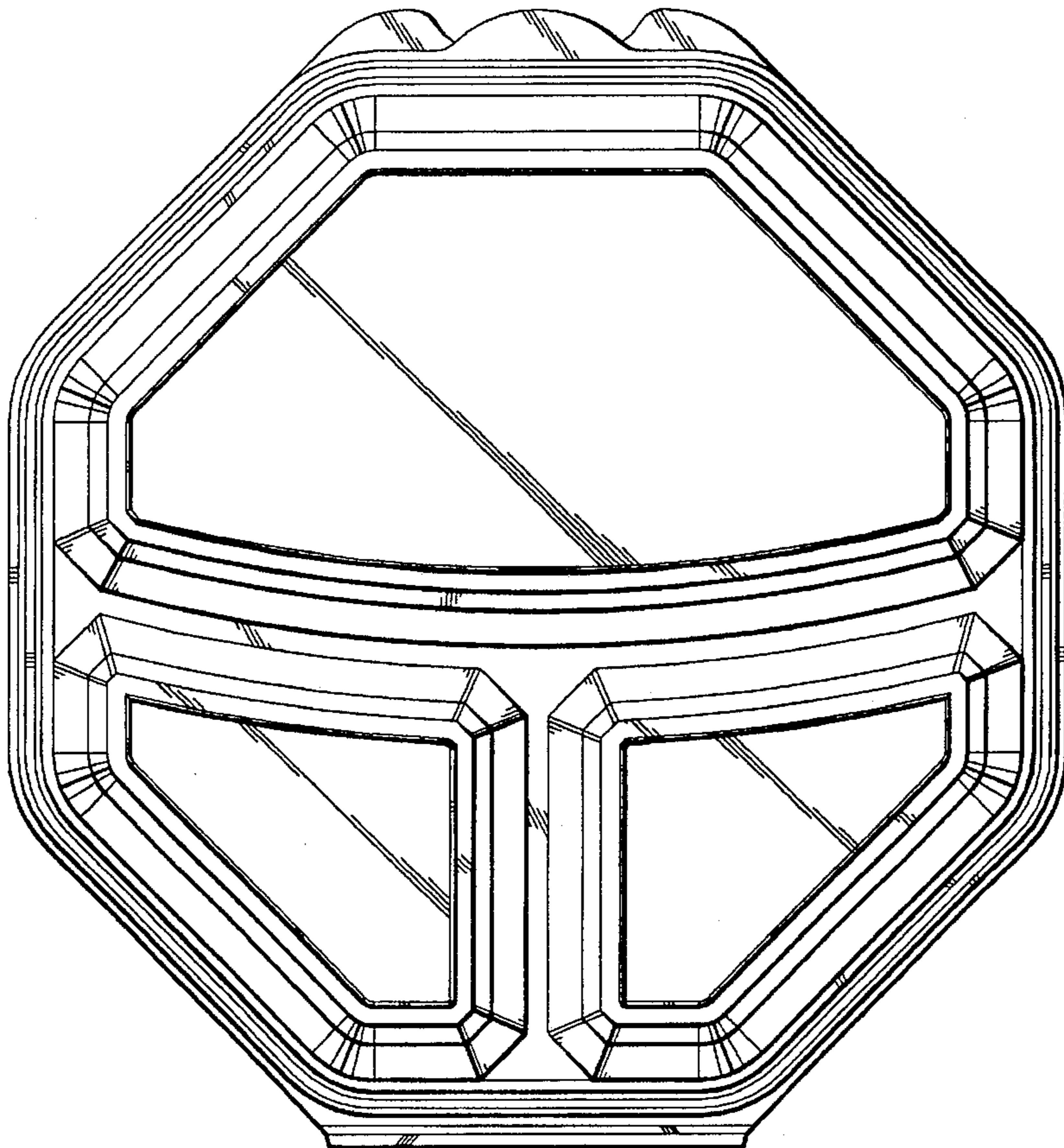


FIG 9