



US00D375254S

United States Patent [19]

[11] Patent Number: **Des. 375,254**

Anderson et al.

[45] Date of Patent: ****Nov. 5, 1996**

[54] OUTER SURFACE OF AN OPERATOR HOUSING

[75] Inventors: **Todd A. Anderson**, Albert Lea; **Douglas G. Johnson**, Blooming Prairie, both of Minn.

[73] Assignee: **Truth Hardware Corporation**, Owatonna, Minn.

[**] Term: **14 Years**

[21] Appl. No.: **48,065**

[22] Filed: **Dec. 19, 1995**

[52] U.S. Cl. **D8/400**

[58] Field of Search D8/307-309, 400; 16/110 R, 111 R; 49/324, 338, 341-346; 74/523, 545-547

[56] References Cited

U.S. PATENT DOCUMENTS

Re. 34,230	4/1993	Tucker et al. .	
D. 347,569	6/1994	Vetter et al. .	
D. 350,666	9/1994	Wobschall et al. .	
D. 365,513	12/1995	Vetter et al. .	
D. 369,741	5/1996	Harrison et al.	D8/400
3,258,874	7/1966	Martin .	
4,253,276	3/1981	Peterson et al. .	
4,445,794	5/1984	Sandberg .	
4,505,601	3/1985	Sandberg et al. .	
4,617,758	10/1986	Vetter .	
4,823,508	4/1989	Allen .	
4,840,075	6/1989	Tucker .	
4,937,976	7/1990	Tucker et al. .	
5,152,103	10/1992	Tucker et al. .	
5,199,216	4/1993	Vetter et al. .	
5,272,837	12/1993	Nolte et al. .	
5,467,503	11/1995	Nolte et al. .	
5,493,813	2/1996	Vetter et al. .	

OTHER PUBLICATIONS

Truth Hardware brochure "Casement and Awning Operators" (1993).

Truth Hardware brochure "10 Lever Operator" (1993).

Truth Hardware brochure "11 Rotor Gear Awning Operator" (1993).

Truth Hardware brochure "11 EntryGard® Awning Operator" (1993).

Truth Hardware brochure "12 Telescoping Push Bar Operators" (1993).

Truth Hardware brochure "15 EntryGard® Dual Arm Operator" (1993).

Truth Hardware brochure "15 EntryGard® Dyad Operator" (1993).

Truth Hardware brochure "15 EntryGard® Single Arm Operator" (1993).

Truth Hardware brochure "15 Single Arm Operator (surface mount)" (1993).

Truth Hardware brochure "15 Split Arm Operator" (1993).

Truth Hardware brochure "22 Pivot Shoe Roto Operator" (1993).

Truth Hardware brochure "22 Scissors Arm Operator" (1993).

Truth Hardware brochure "23 Single Arm Operator (Face-Mount)" (1993).

Truth Hardware brochure "23 Dyad Operator" (1993).

Truth Hardware brochure "30 Op-O-Lock™ System" (1993).

1713001 Sep. 1992 Trademark Housing Design.

Primary Examiner—Antoine Duval Davis

Attorney, Agent, or Firm—Wood, Phillips, VanSanten, Clark & Mortimer

[57] CLAIM

The ornamental design of an outer surface of an operator housing, as shown and described.

DESCRIPTION

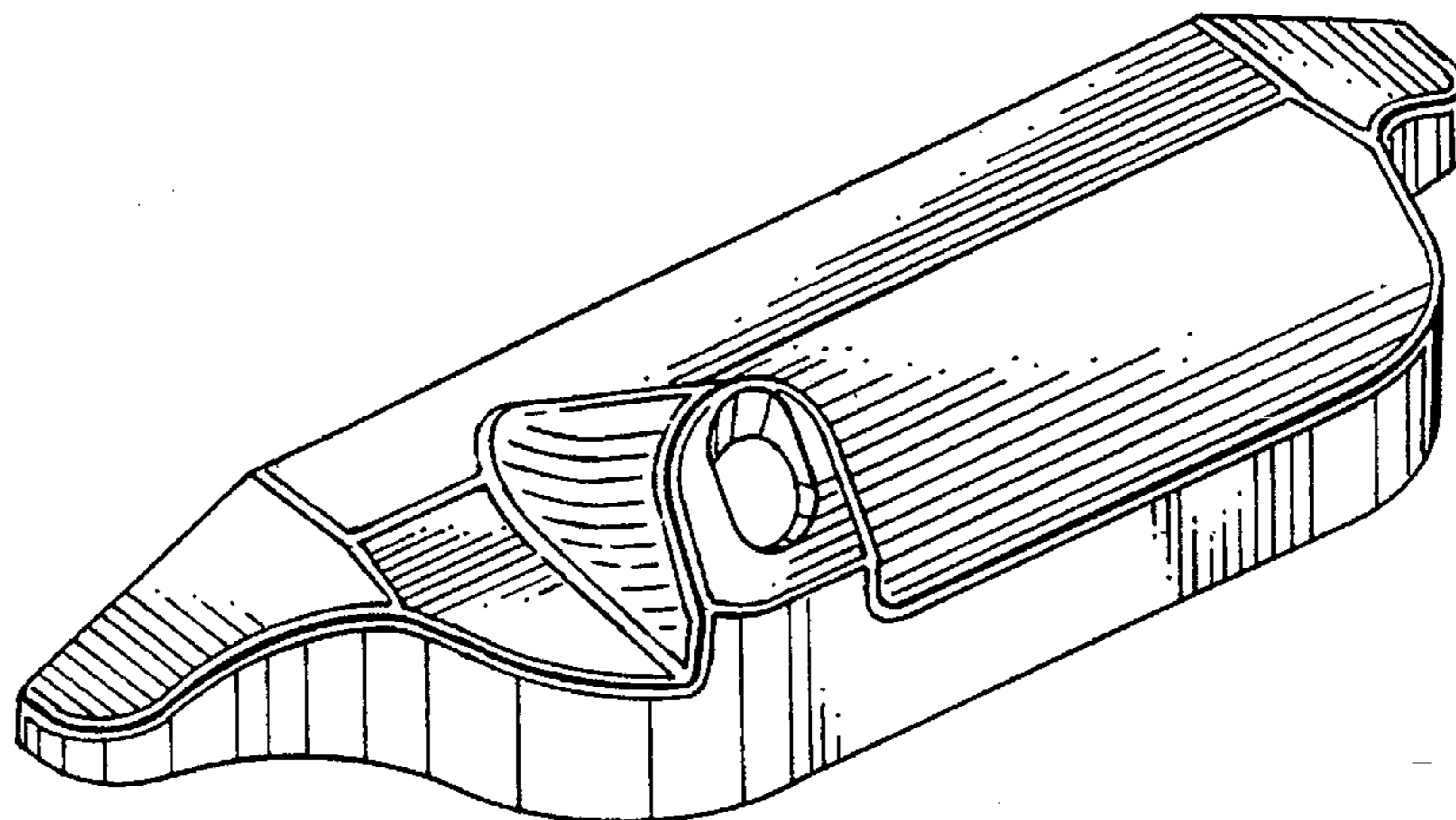
FIG. 1 is a perspective view of the outer surface of an operator housing as oriented relative to a window sill and sash (not shown);

FIG. 2 is a top view of the outer surface of an operator housing;

FIG. 3 is a front view of the outer surface of an operator housing;

FIG. 4 is a left end view of the outer surface of an operator housing, the right end being a mirror image; and,

FIG. 5 is a rear view of the outer surface of an operator housing.



The broken lines in FIGS. 2 and 4 illustrate a component on the rear of the housing, such component being unclaimed subject matter.

The housing is normally mounted along its rear and bottom to a window sill and sash (not shown) and are not normally visible. Accordingly, the bottom view of the outer surface of an operator housing is not shown herein and is unclaimed

subject matter. Similarly, the rear face of the housing, including any portion open to the interior of the housing, is unclaimed subject matter, such portion being indicated by the dashed boundary in FIG. 5.

1 Claim, 1 Drawing Sheet

FIG. 1

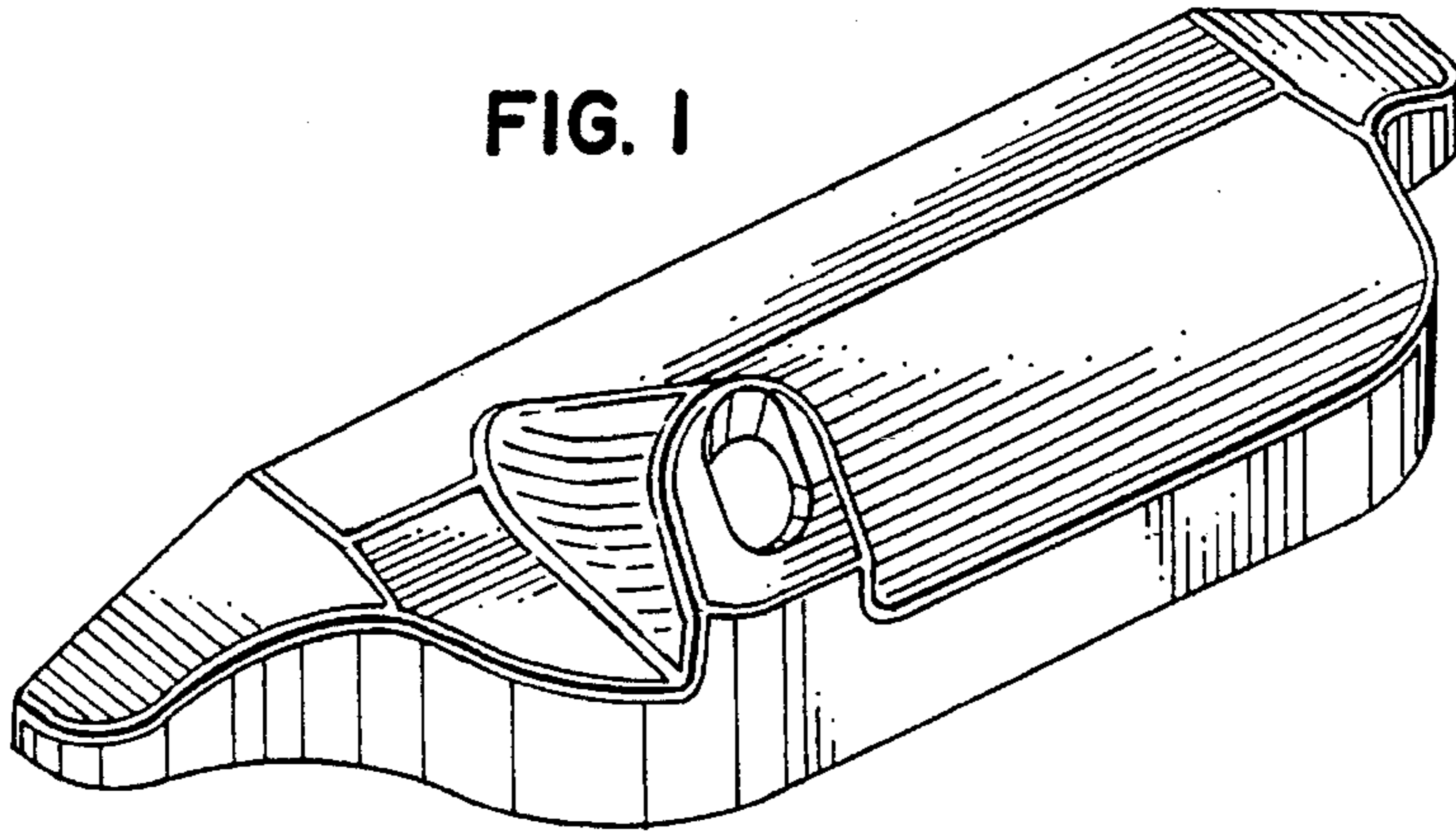


FIG. 2

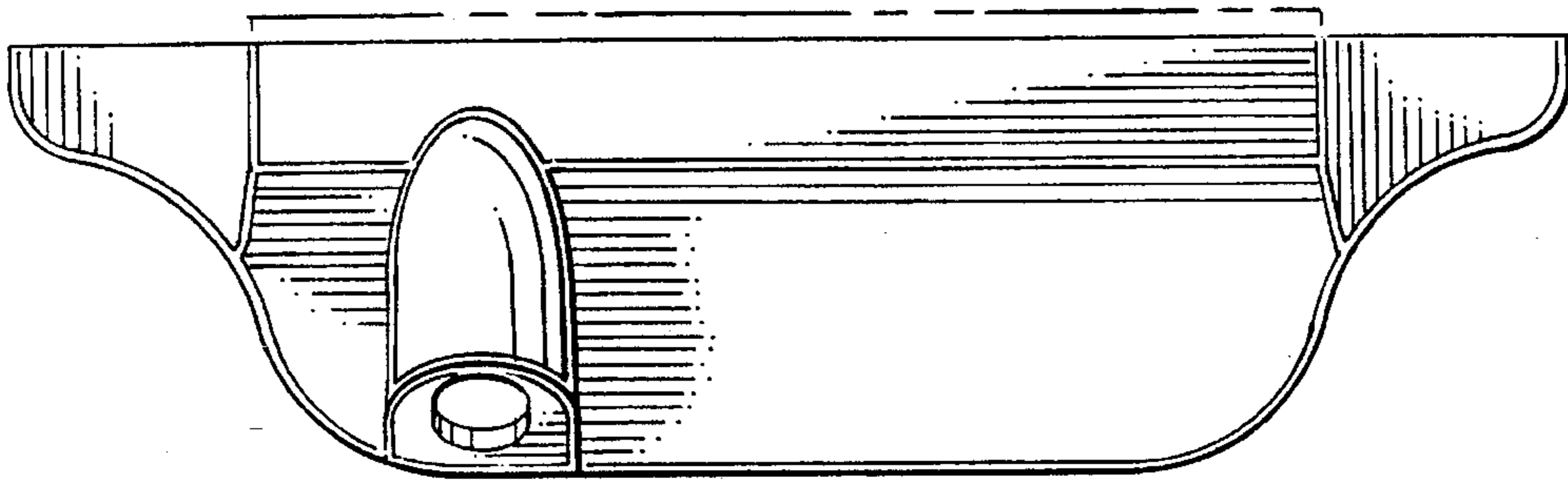


FIG. 3

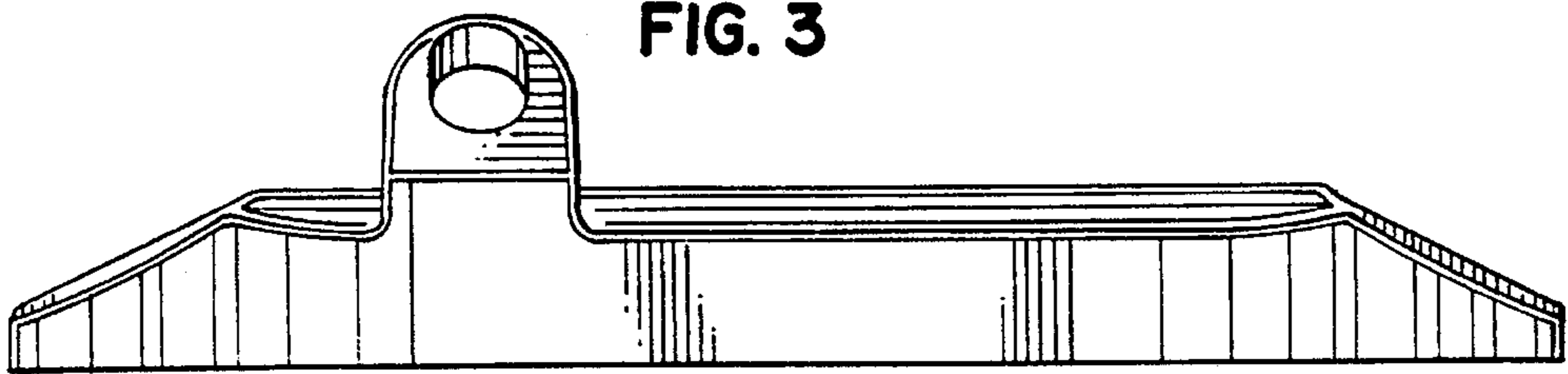


FIG. 4

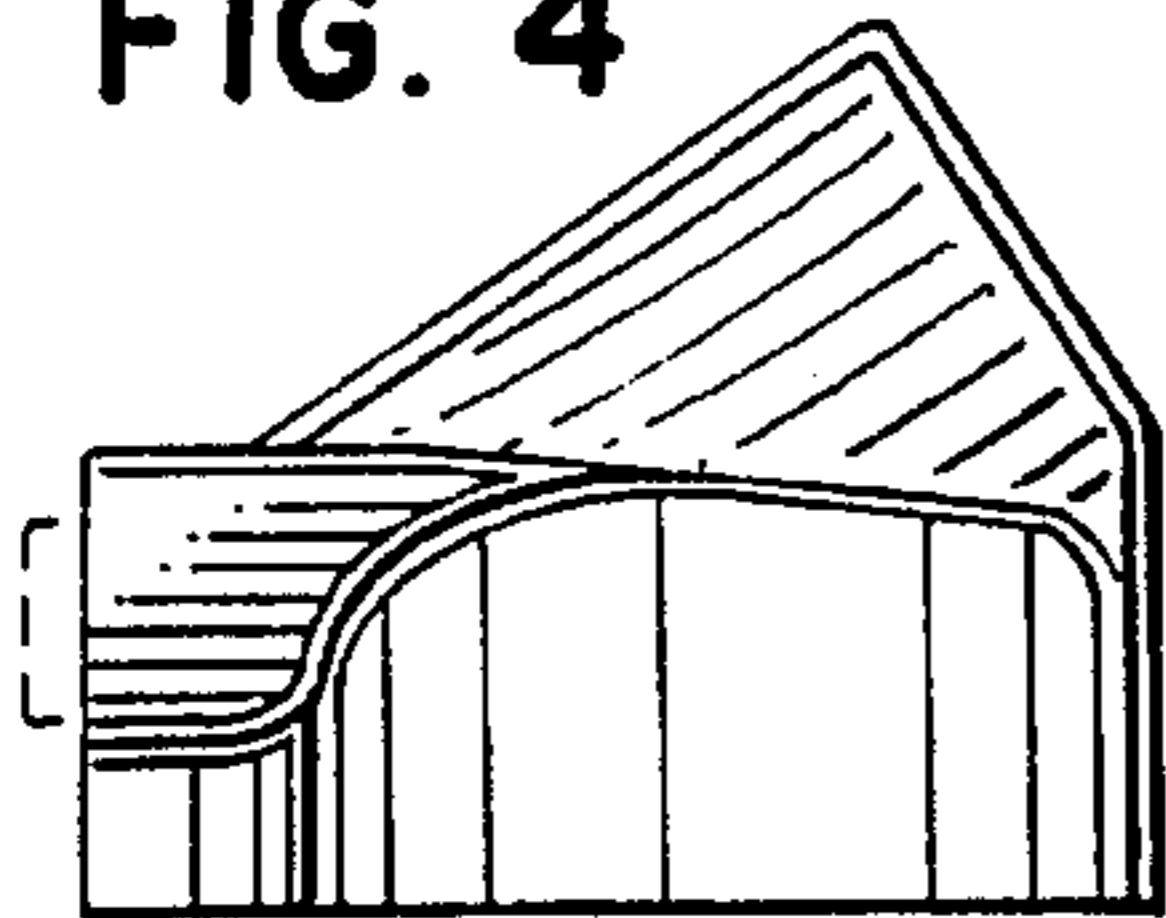


FIG. 5

