



US00D375253S

United States Patent [19] Campbell

[11] Patent Number: **Des. 375,253**

[45] Date of Patent: ****Nov. 5, 1996**

[54] **STAND**

[76] Inventor: **Vane L. Campbell**, P.O. Box 100021,
Alton, Utah 84710

[**] Term: **14 Years**

[21] Appl. No.: **41,460**

[22] Filed: **Jul. 14, 1995**

[52] U.S. Cl. **D8/380**

[58] Field of Search D8/71, 380; D15/66,
D15/72, 78, 140; 24/455, 517, 522; 38/64,
102.1, 102.2, 102.21, 102.6; 112/117, 118;
248/188.8, 188.9; D6/495, 496, 499

D. 361,337 8/1995 Hardy D15/40
D. 367,032 2/1996 Fentress et al. D6/499
2,177,720 10/1939 Janssen 38/102.21
2,695,015 11/1954 Cooper 451/414
4,658,521 4/1987 Thorpe 38/102.6
4,677,775 7/1987 Riley 38/102.1
5,104,014 4/1992 Flynn 112/117

Primary Examiner—James M. Gandy
Assistant Examiner—Robert M. Spear

[57] CLAIM

The ornamental design for a stand, as shown and described.

DESCRIPTION

FIG. 1 is a front elevational view of the stand showing my new design;
FIG. 2 is a rear elevational view thereof;
FIG. 3 is a right view thereof;
FIG. 4 is a left view thereof;
FIG. 5 is a top plan view thereof; and,
FIG. 6 is a bottom plan view thereof.
The stand is shown broken away in the middle to indicate indeterminate length.

[56] **References Cited**

U.S. PATENT DOCUMENTS

D. 248,727 8/1978 Sperber D8/71
D. 263,114 2/1982 Sette D6/496
D. 265,677 8/1982 O'Connell D8/71
D. 293,987 2/1988 Raftery D6/499
308,406 11/1884 Elder 38/102.21
D. 332,789 1/1993 Rak D8/380
D. 342,200 12/1993 Hass D8/71

1 Claim, 3 Drawing Sheets

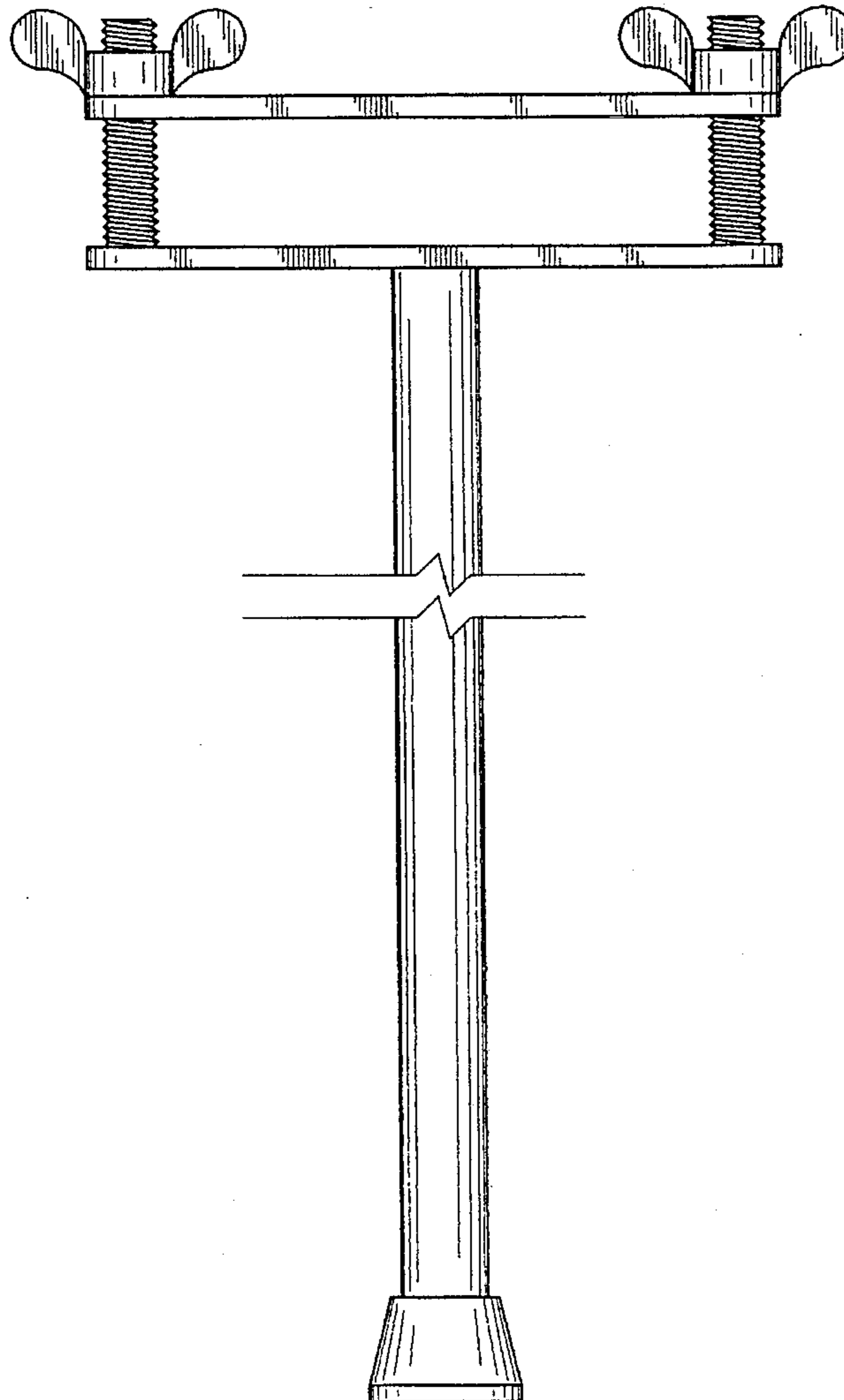


FIG. 1

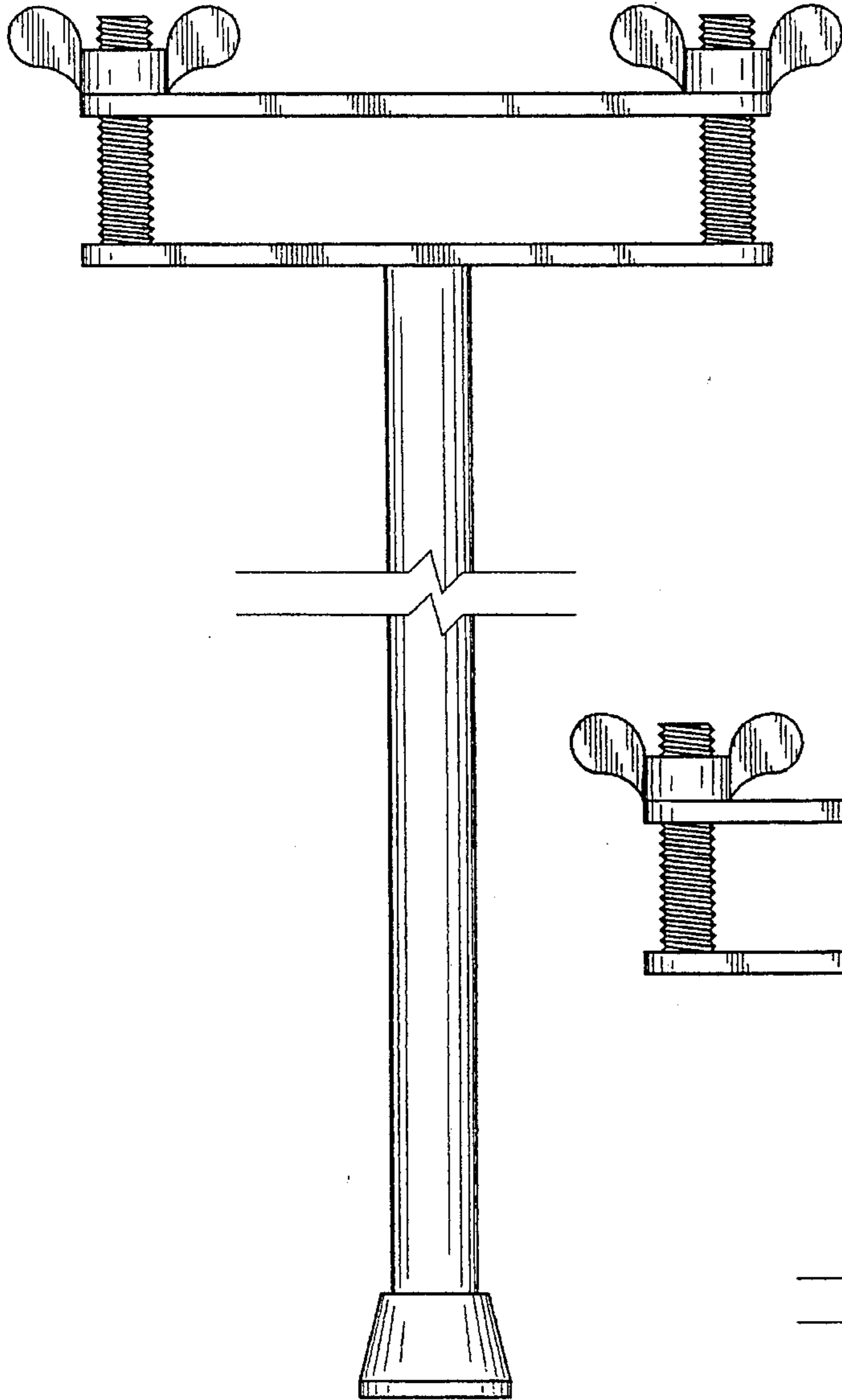


FIG. 2

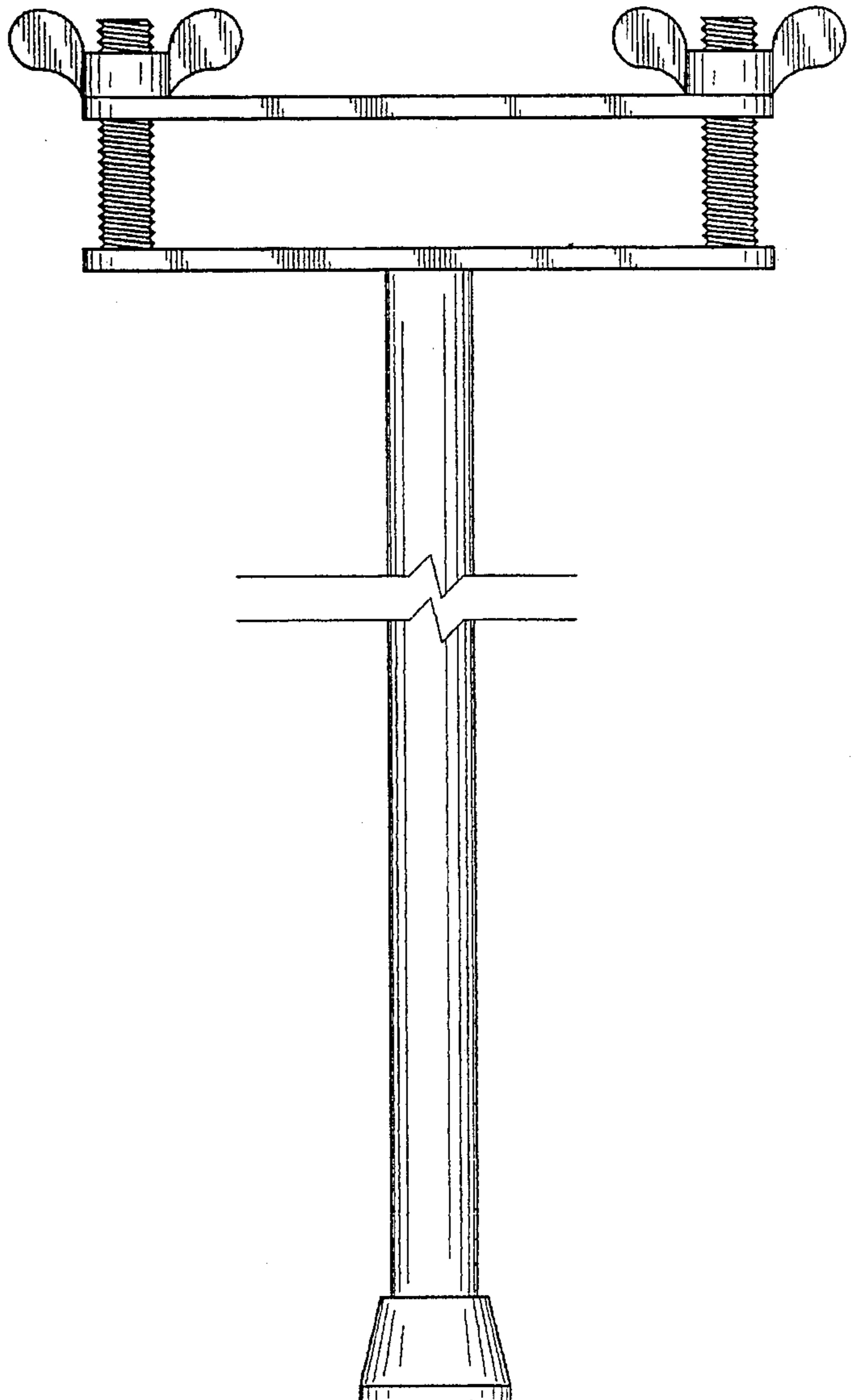


FIG. 3

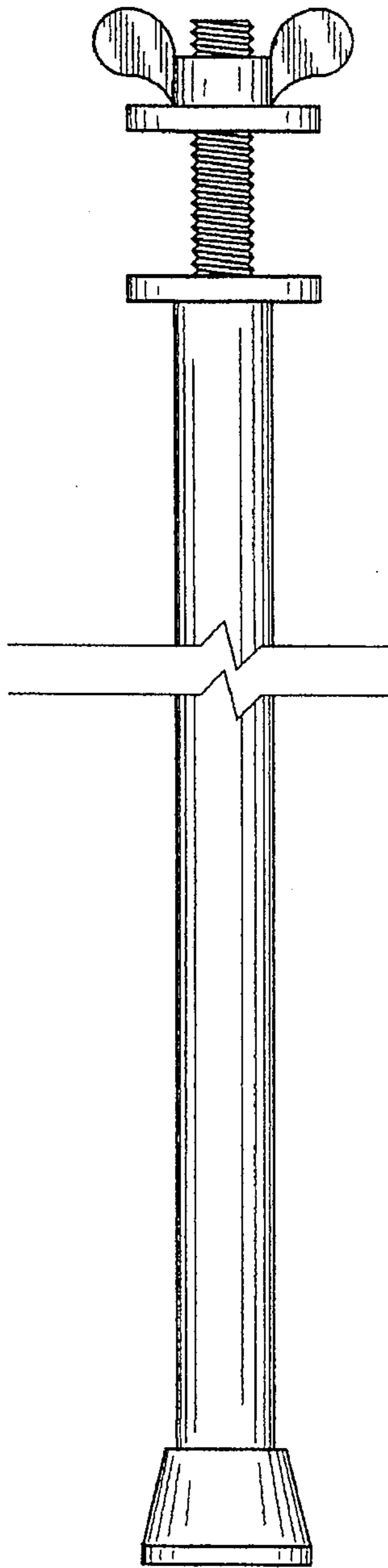


FIG. 4

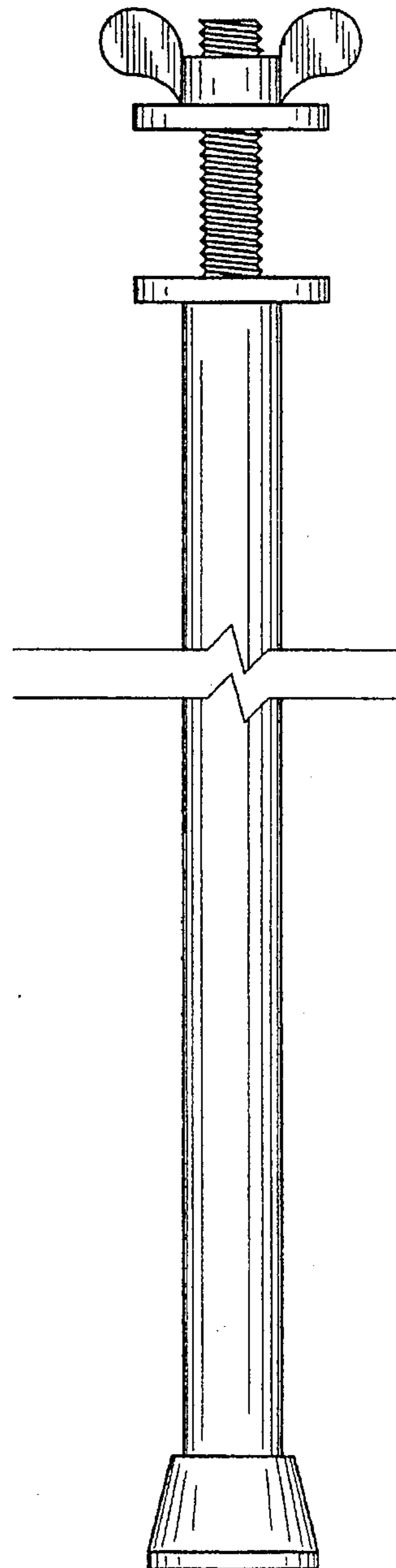


FIG. 5

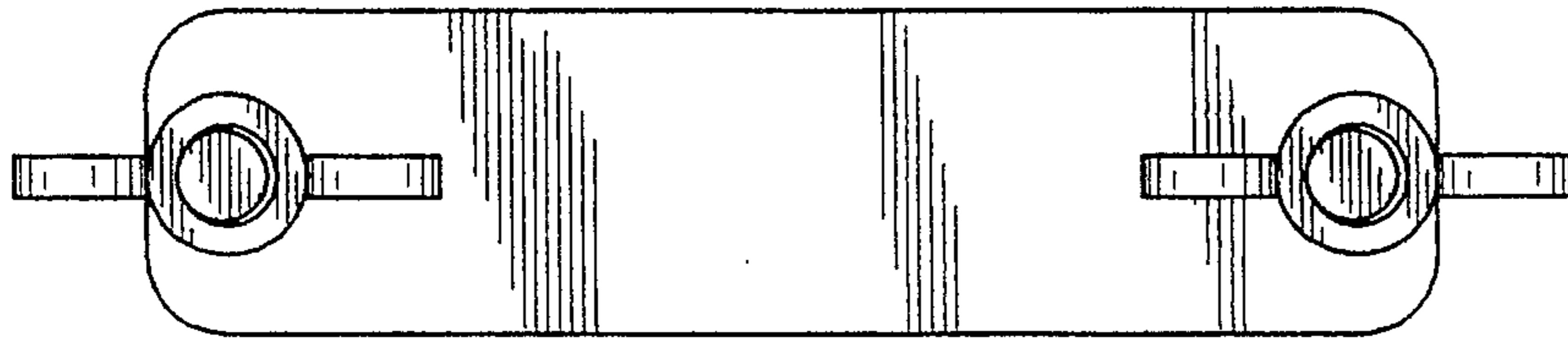


FIG. 6

