



US00D375251S

# United States Patent [19]

Stevens et al.

[11] Patent Number: **Des. 375,251**

[45] Date of Patent: **\*\*Nov. 5, 1996**

[54] **CHRISTMAS LIGHT STORAGE CADDY**

5,064,067 11/1991 McAllister et al. .

[76] Inventors: **Roger I. Stevens; Paula Stevens**, both of 910 N. Chester Rd., Malvern, Pa. 19355

FOREIGN PATENT DOCUMENTS

117184 10/1987 Canada .

[\*\*] Term: **14 Years**

*Primary Examiner*—Holly H. Baynham  
*Attorney, Agent, or Firm*—Richard C. Litman

[21] Appl. No.: **42,510**

[57] **CLAIM**

[22] Filed: **Aug. 11, 1995**

The ornamental design for a Christmas light storage caddy, as shown and described.

[52] U.S. Cl. .... **D8/359**

[58] Field of Search ..... D8/358, 359; 242/403.1, 242/129.53, 129.51, 391, 596, 557, 596.7, 596.8; 191/12.4; 137/355.22, 355.26–355.27; D34/24, 26

### DESCRIPTION

FIG. 1 is an environmental perspective view of a Christmas light storage caddy showing my new design; FIG. 2 is a front elevational view thereof; FIG. 3 is a rear elevational view thereof; FIG. 4 is a right side elevational view thereof; FIG. 5 is a left side elevational thereof; FIG. 6 is a top view thereof; and, FIG. 7 is a bottom view thereof.

The broken line showing of the decorative cover and storage bin and the fragmented strand of Christmas lights is for illustrative purposes only and forms no part of the claimed design.

### [56] References Cited

#### U.S. PATENT DOCUMENTS

D. 147,372	8/1947	Marsh	.....	D8/359
D. 164,546	9/1951	Becker	.....	D8/359
D. 334,882	4/1993	Bunch	.	
D. 339,976	10/1993	Ferguson, Sr.	.	
D. 352,149	11/1994	Nelson et al.	.	
2,965,327	12/1960	Blary	.....	242/403.1 X
4,649,954	3/1987	Dunwoody	.....	137/355.17
4,917,322	4/1990	Wing	.	
4,948,064	8/1990	Richard	.	

**1 Claim, 3 Drawing Sheets**

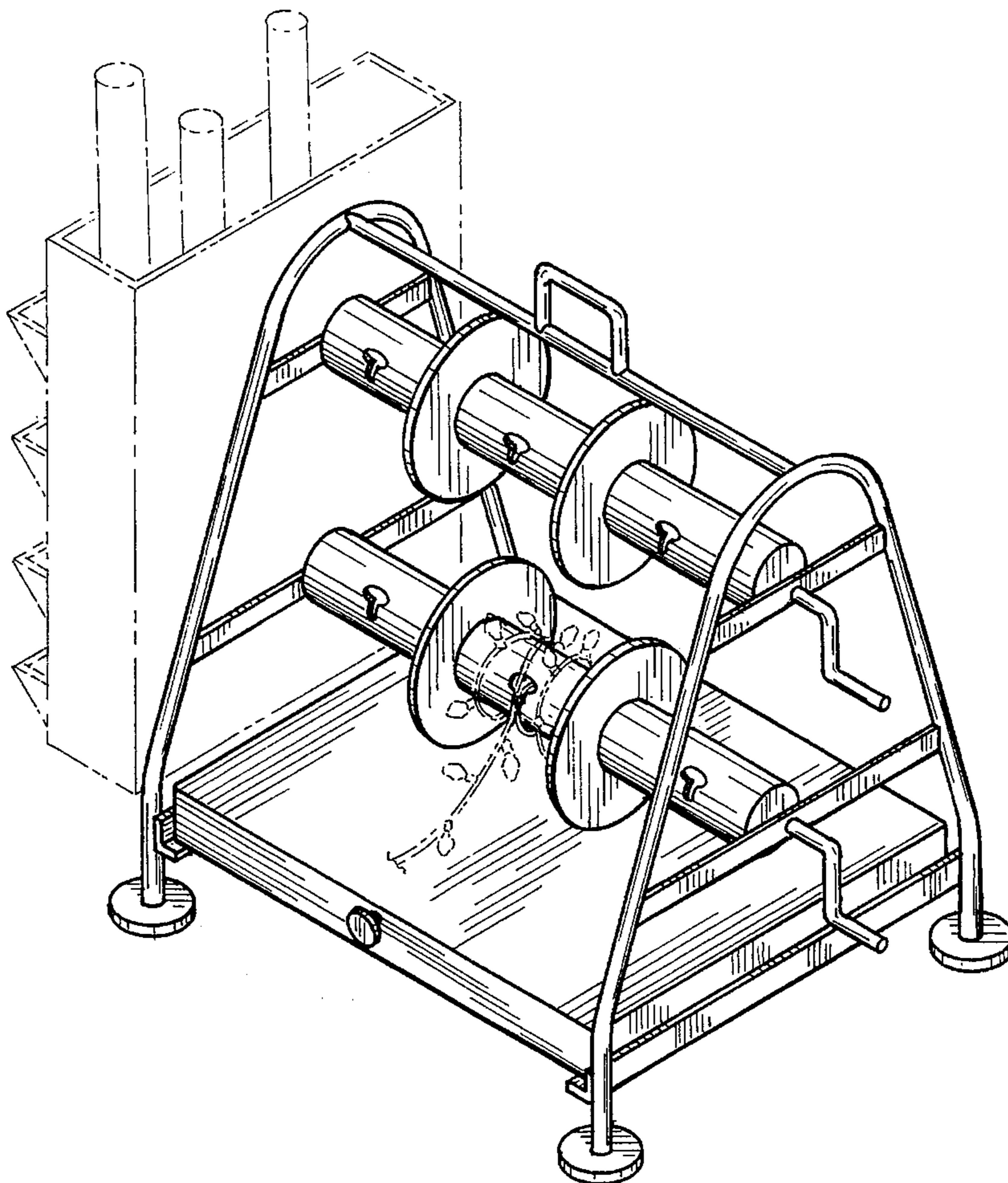
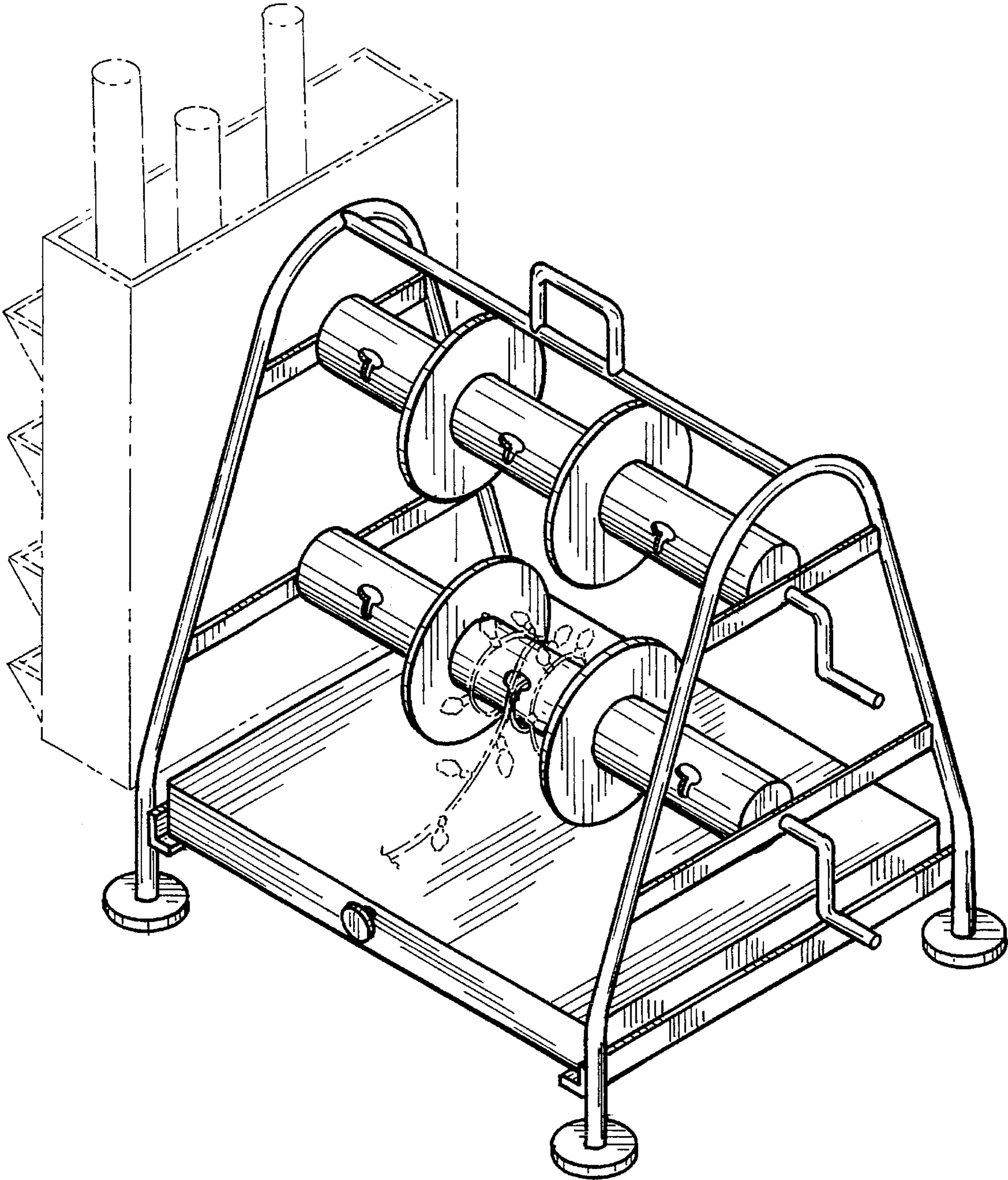


FIG. 1



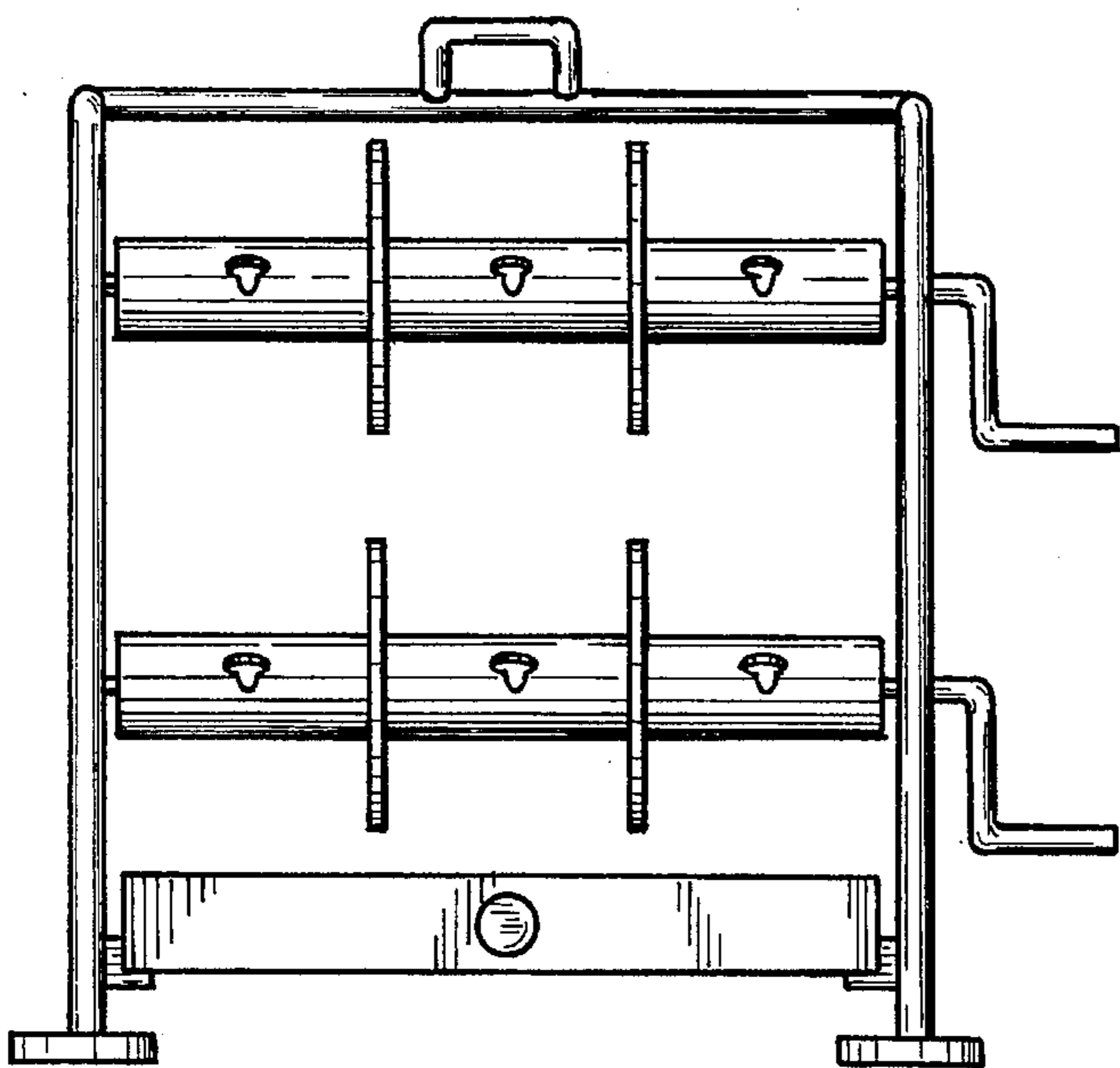


FIG. 2

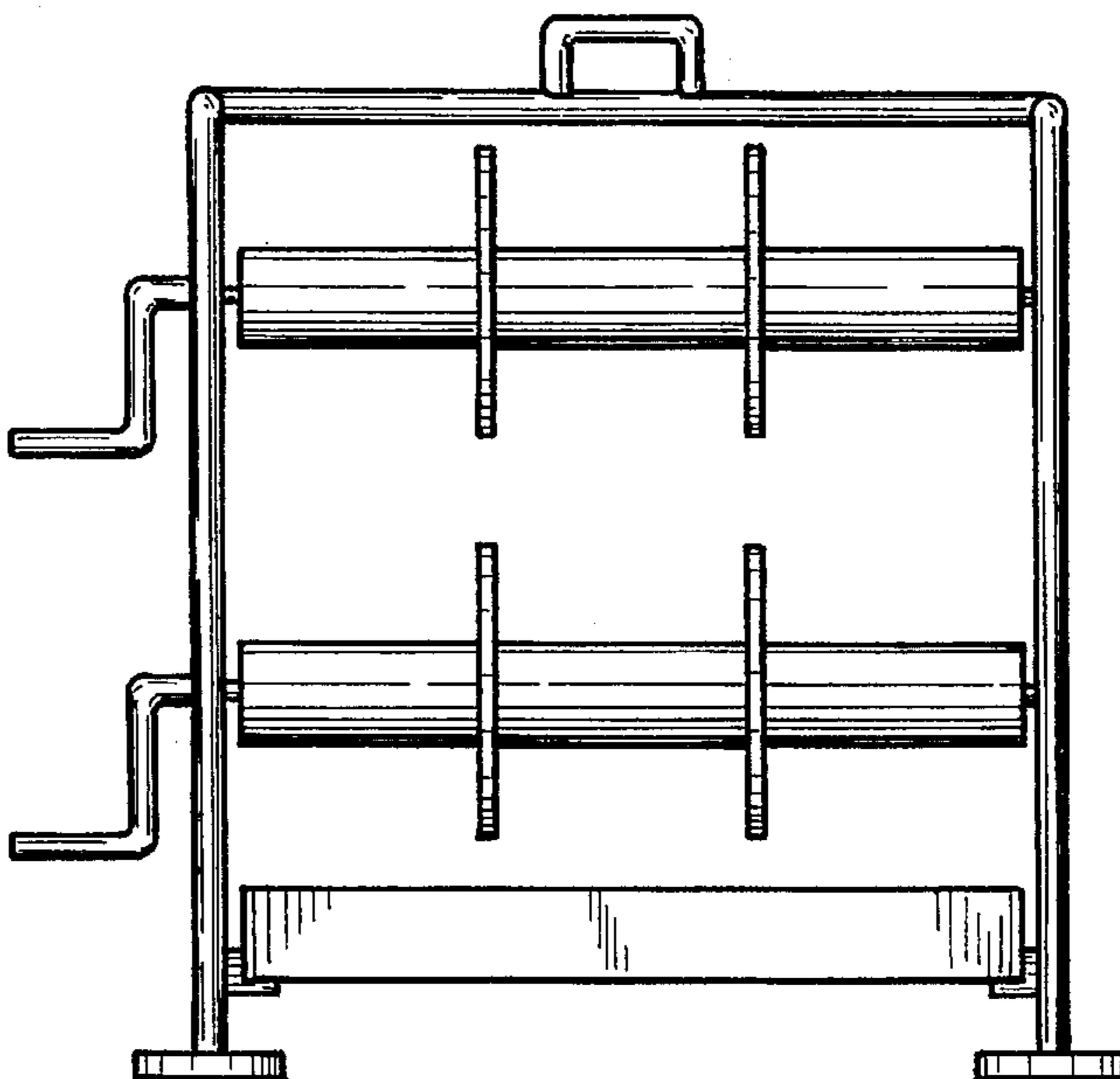


FIG. 3

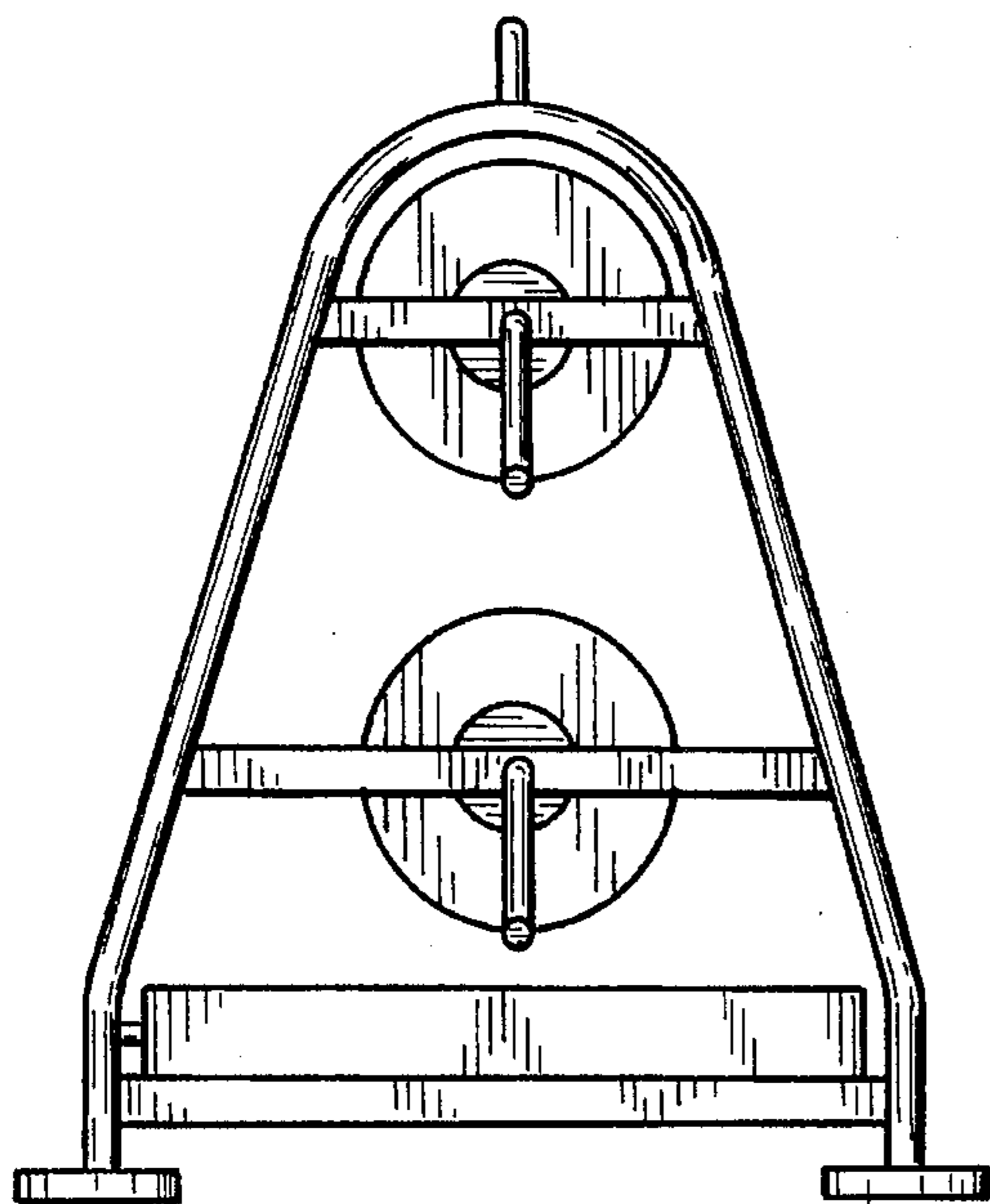


FIG. 4



FIG. 5

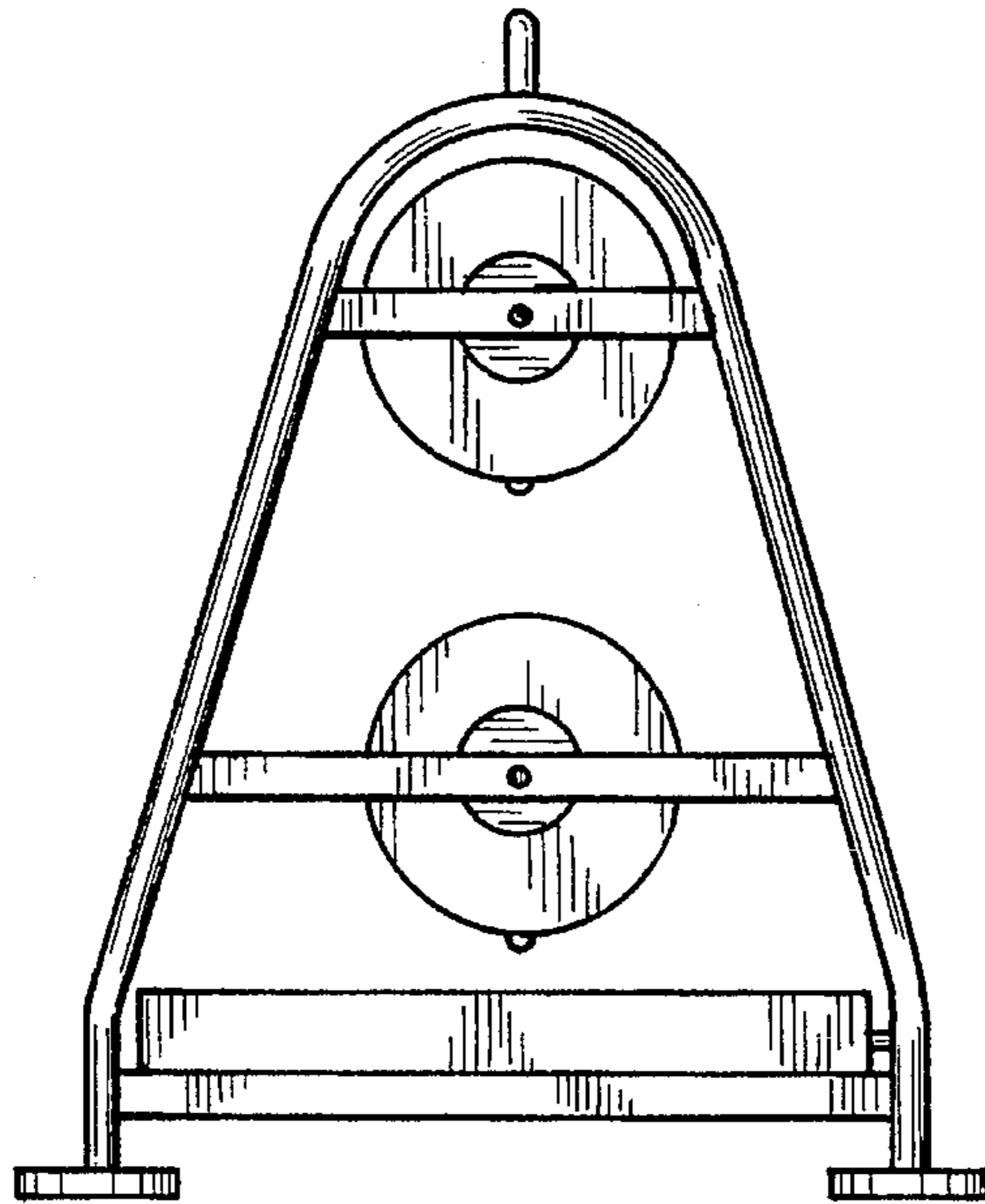


FIG. 6

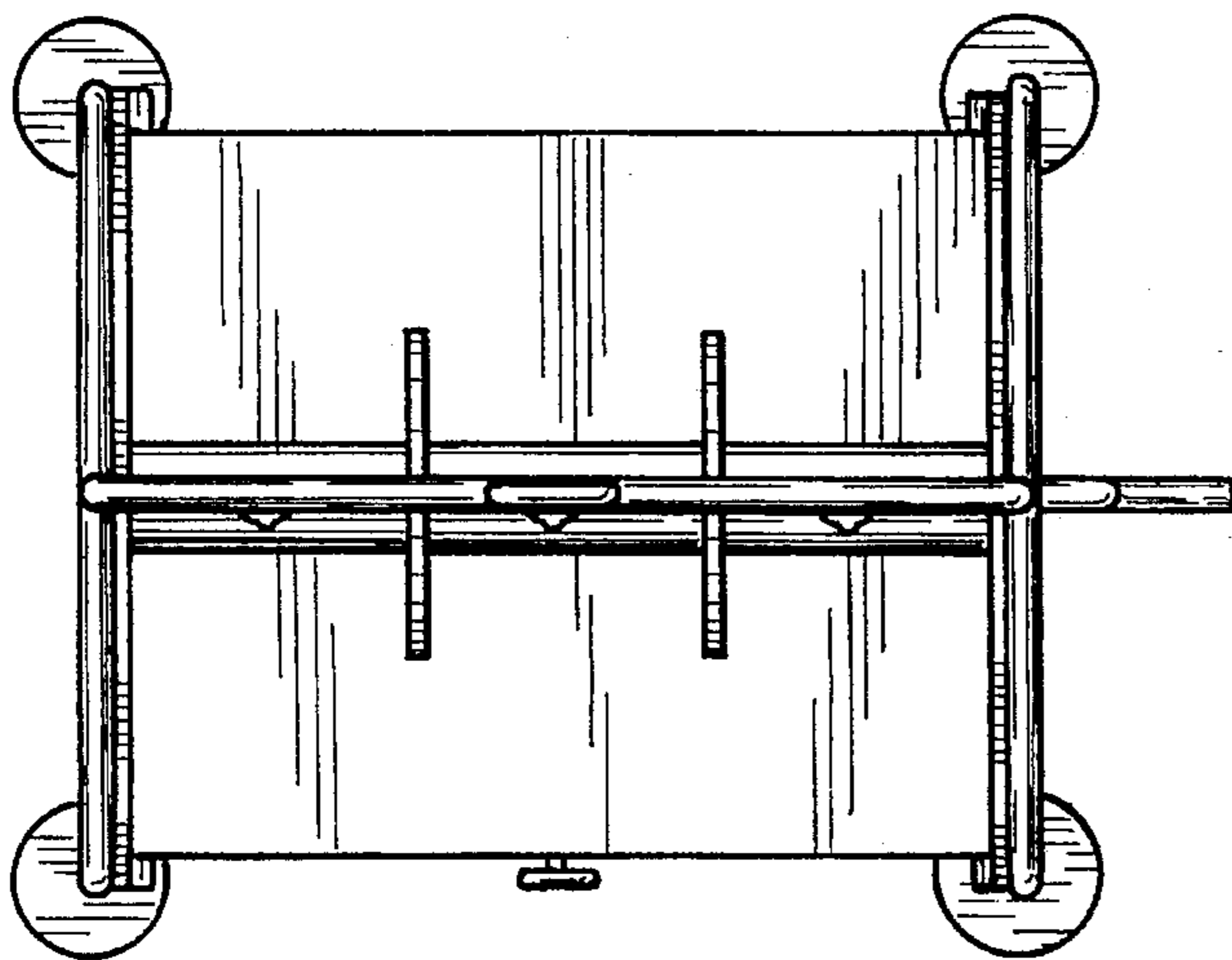


FIG. 7

