



US00D375247S

United States Patent [19] Gandhi

[11] Patent Number: **Des. 375,247**
[45] Date of Patent: ****Nov. 5, 1996**

[54] **WINDOW LATCH MEMBER**
[75] Inventor: **Chandahas O. Gandhi**, Butler County, Pa.
[73] Assignee: **CertainTeed Corporation**, Valley Forge, Pa.
[**] Term: **14 Years**

4,824,154	4/1989	Simpson	292/338
4,923,230	5/1990	Simpson	292/67
5,165,737	11/1992	Riegelman	292/DIG. 47 X
5,203,596	4/1993	Stevens	292/204
5,219,195	6/1993	Lawrence	292/336.3
5,248,174	9/1993	Matz et al.	292/338
5,253,904	10/1993	Ruby	292/58
5,301,989	4/1994	Dallman et al.	292/DIG. 31 X
5,326,141	7/1994	Gorman	292/DIG. 47 X
5,413,391	5/1995	Calvin et al.	292/DIG. 31 X

[21] Appl. No.: **34,480**
[22] Filed: **Feb. 3, 1995**

Primary Examiner—Brian N. Vinson
Attorney, Agent, or Firm—Duane, Morris & Hecksher

Related U.S. Application Data

[63] Continuation of Ser. No. 383,270, Feb. 3, 1995.
[52] **U.S. Cl.** **D8/343**
[58] **Field of Search** D8/330-348; 292/80, 292/95, 289, 338, DIG. 20, DIG. 30, DIG. 31, DIG. 38, DIG. 47

[57] CLAIM

The ornamental design for a window latch member, as shown and described.

DESCRIPTION

FIG. 1 is a front perspective view of the window latch of this invention;
FIG. 2 is a rear planar view of the window latch of FIG. 1;
FIG. 3 is a front planar view of the window latch of FIG. 1;
FIG. 4 is a side planar view of the window latch of FIG. 1;
FIG. 5 is a top planar view of the window latch of FIG. 1;
and,
FIG. 6 is a bottom planar view of the window latch of FIG. 1.

[56] References Cited

U.S. PATENT DOCUMENTS

D. 266,395	10/1982	Miller	D8/343
688,491	12/1901	Sigler	.
881,658	3/1908	Bowman	.
1,698,944	1/1929	Foe	.
4,343,501	10/1982	Meeks	292/DIG. 31 X
4,497,514	2/1985	Moriya et al.	292/DIG. 38 X

1 Claim, 1 Drawing Sheet

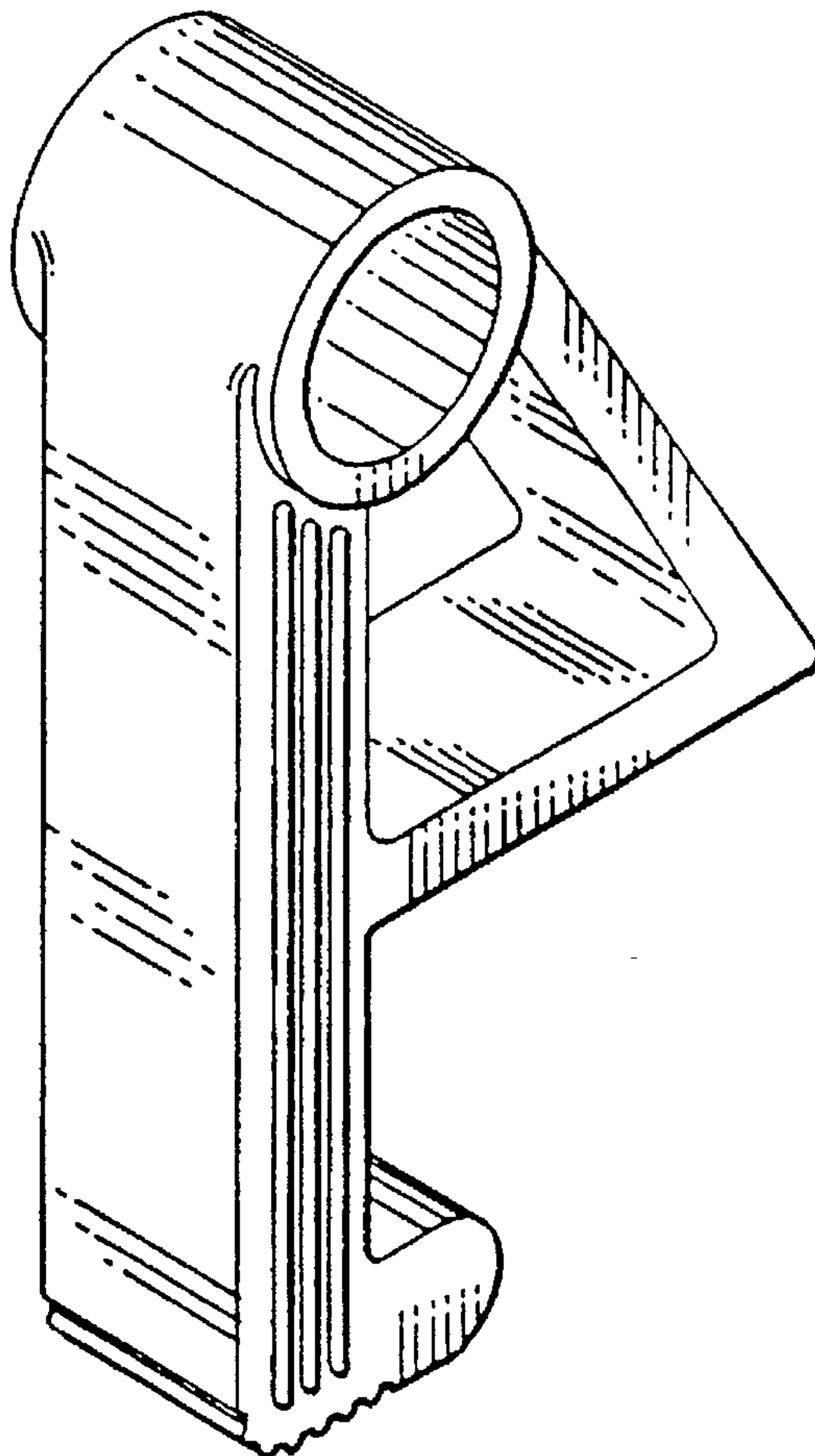


FIG. 1

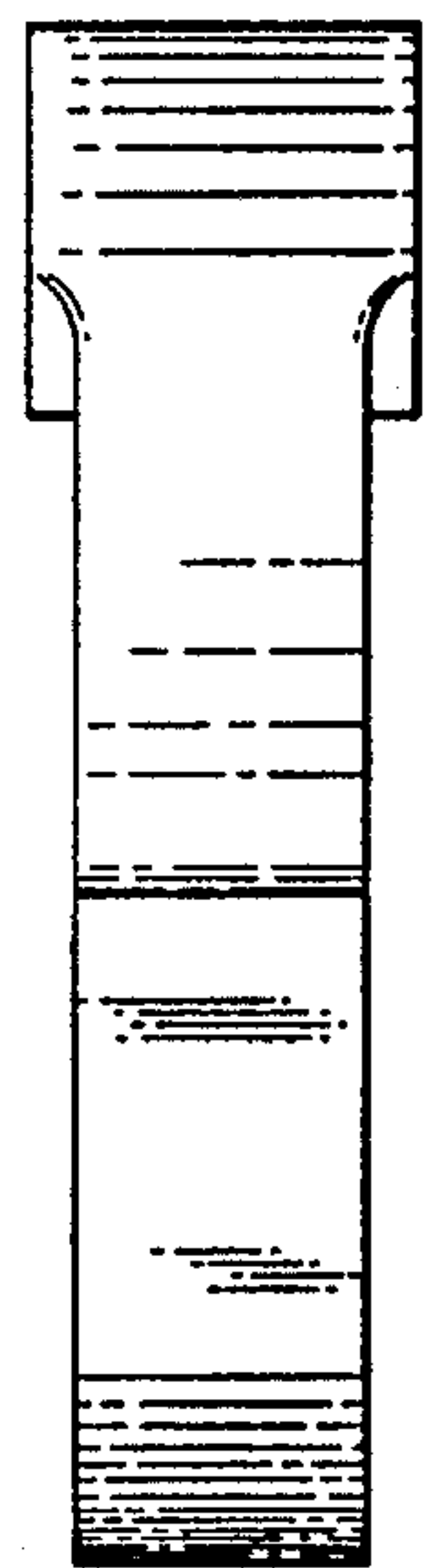
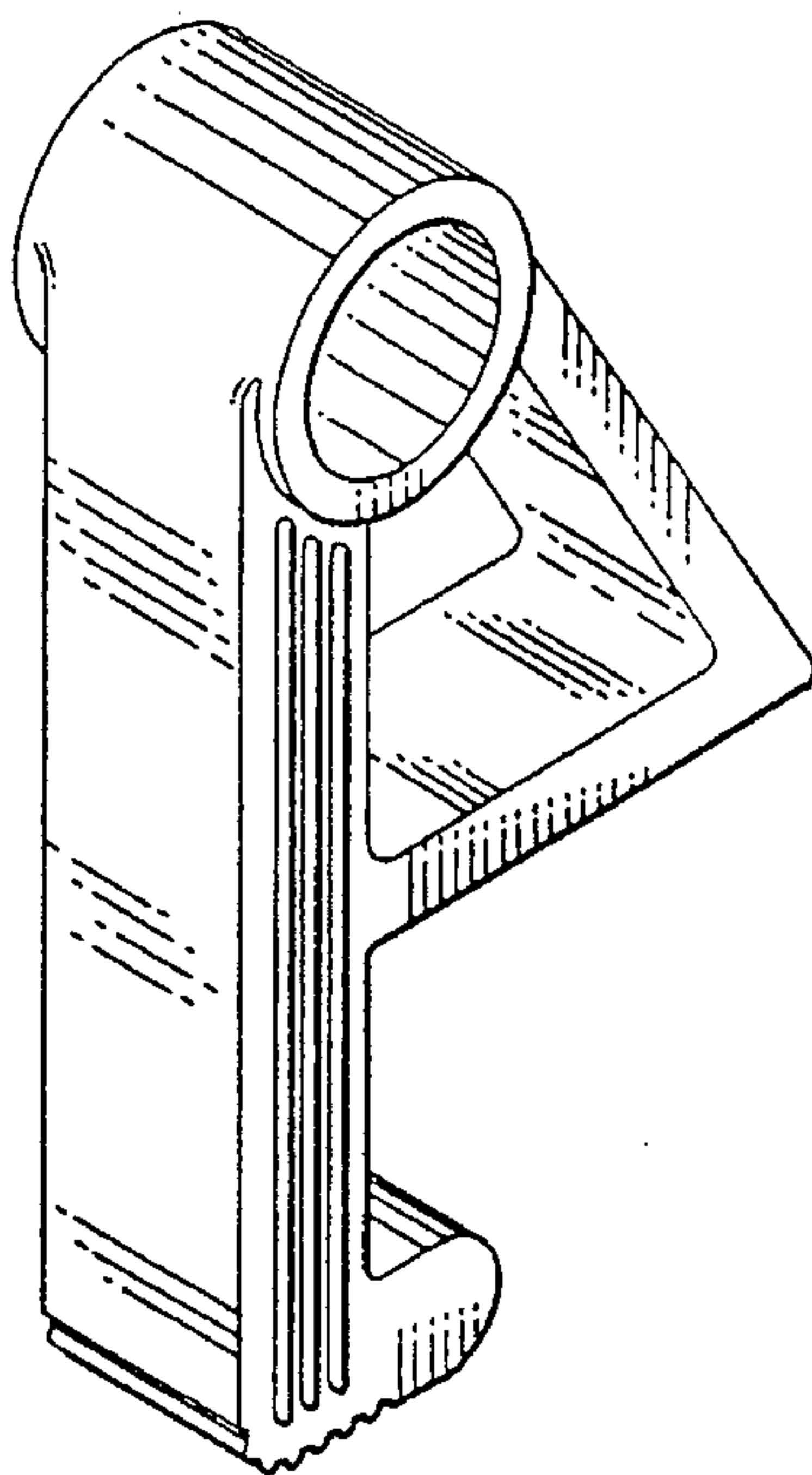


FIG. 2

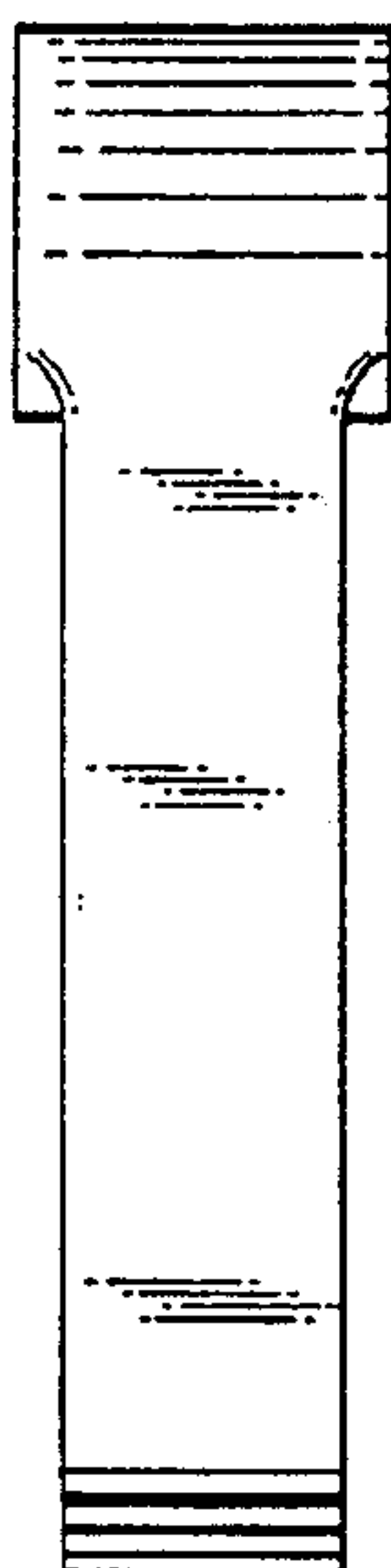


FIG. 3

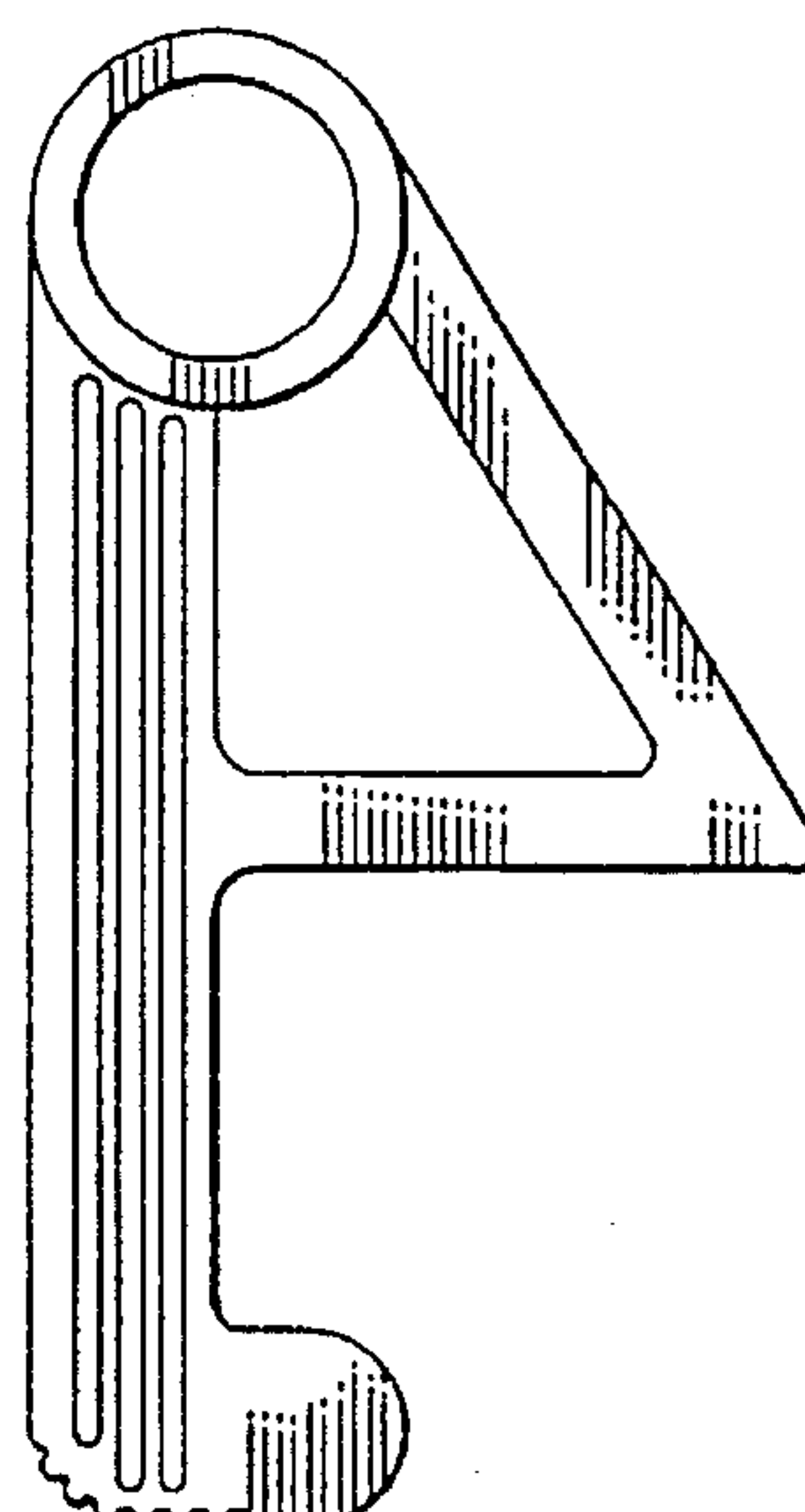


FIG. 4

FIG. 5

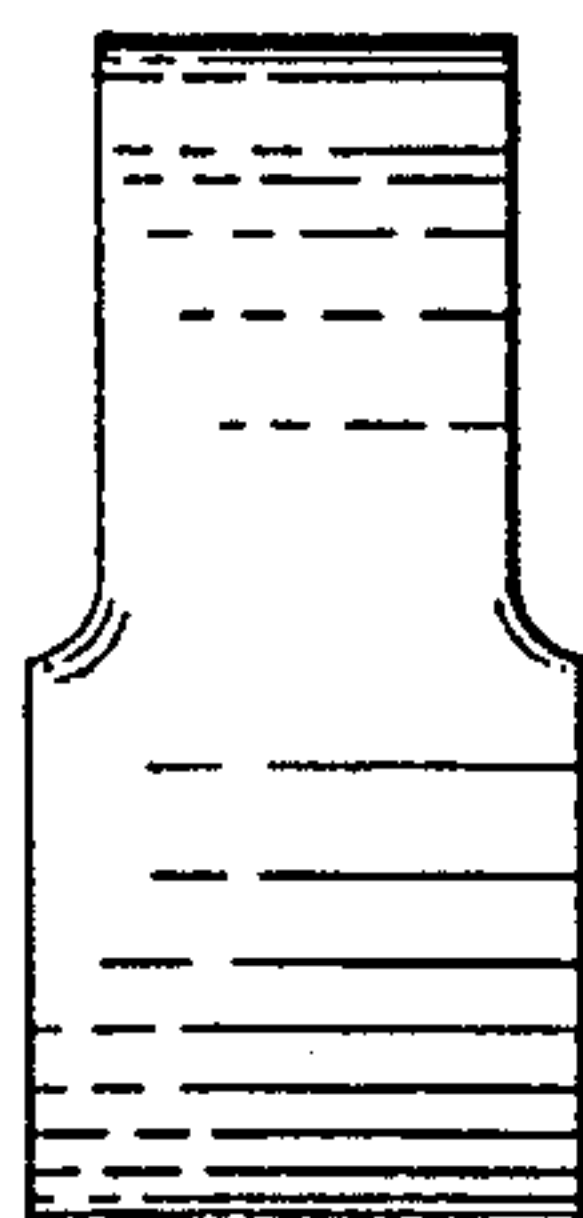


FIG. 6

