



US00D375245S

# United States Patent [19]

Irving

[11] Patent Number: **Des. 375,245**

[45] Date of Patent: **\*\*Nov. 5, 1996**

[54] **PISTOL LOCK**

[76] Inventor: **Thomas W. E. Irving**, 2018 Victoria Street, RR1, Stroud, ON, Canada, L0L 2M0

[\*\*] Term: **14 Years**

[21] Appl. No.: **42,850**

[22] Filed: **Aug. 18, 1995**

[52] U.S. Cl. .... **D8/331**

[58] Field of Search ..... D8/330-331; 70/14, 70/57, 62; 42/70.11

[56] **References Cited**

**U.S. PATENT DOCUMENTS**

2,327,334	8/1943	Parker	.....	42/70.11
3,624,945	12/1971	Foote	.....	42/70.11

Primary Examiner—Brian N. Vinson

Attorney, Agent, or Firm—Harold H. Dutton, Jr.; W. Charles L. Jamison; Diane S. Liebman

[57] **CLAIM**

The ornamental design for a pistol lock, as shown.

**DESCRIPTION**

FIG. 1 is an exploded perspective view of a pistol lock showing my new design;  
 FIG. 2 is a front view of the base portion thereof;  
 FIG. 3 is a left side view of the base portion thereof;  
 FIG. 4 is a rear view of the base portion thereof;  
 FIG. 5 is a top view of the base portion thereof;  
 FIG. 6 is a bottom view of the base portion thereof;  
 FIG. 7 is an end view of the shaft portion thereof;  
 FIG. 8 is a plan view of the shaft portion thereof;  
 FIG. 9 is a plan view of the washer portion thereof; and,  
 FIG. 10 is a side view of the washer portion thereof.

**1 Claim, 4 Drawing Sheets**

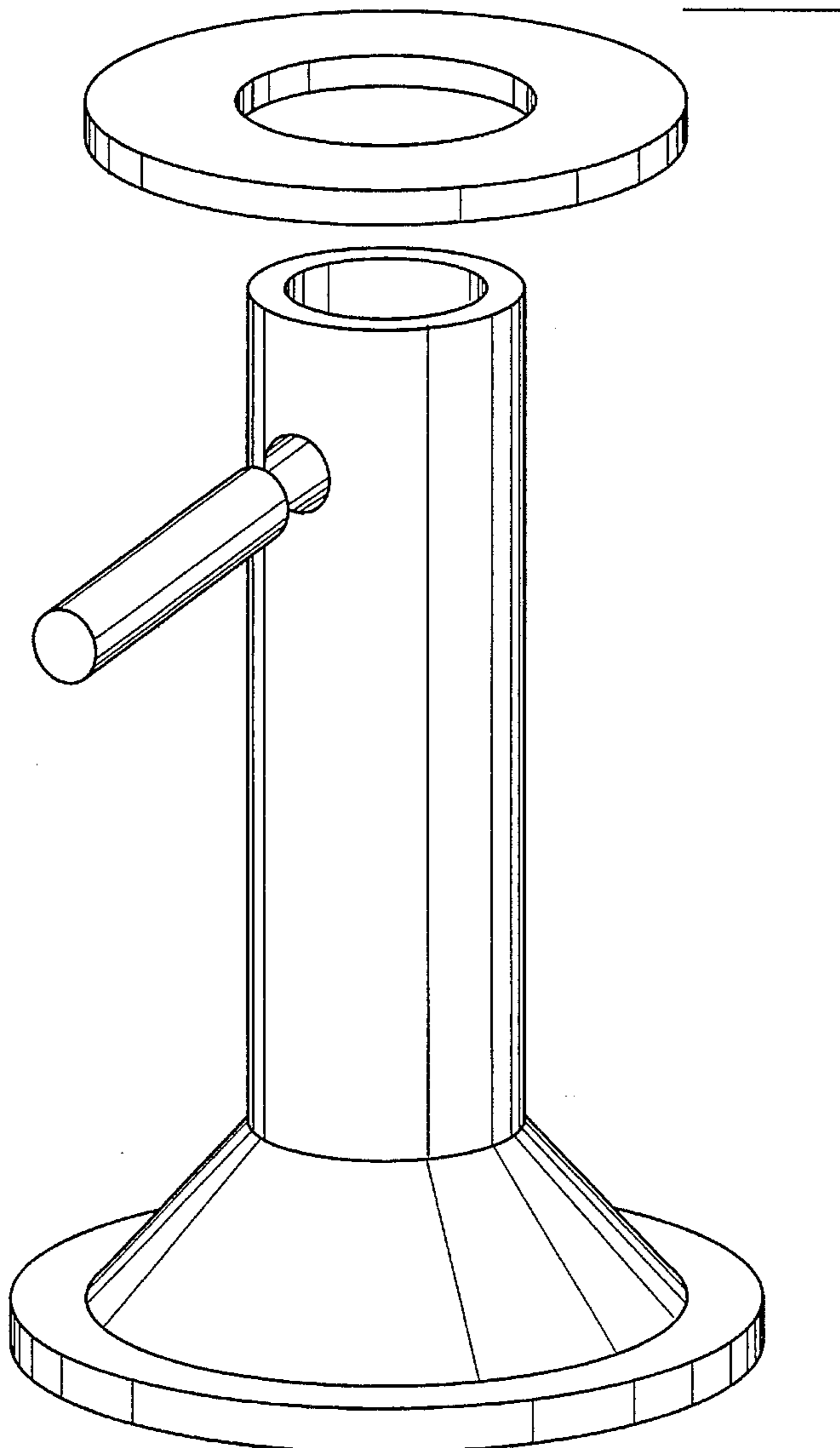
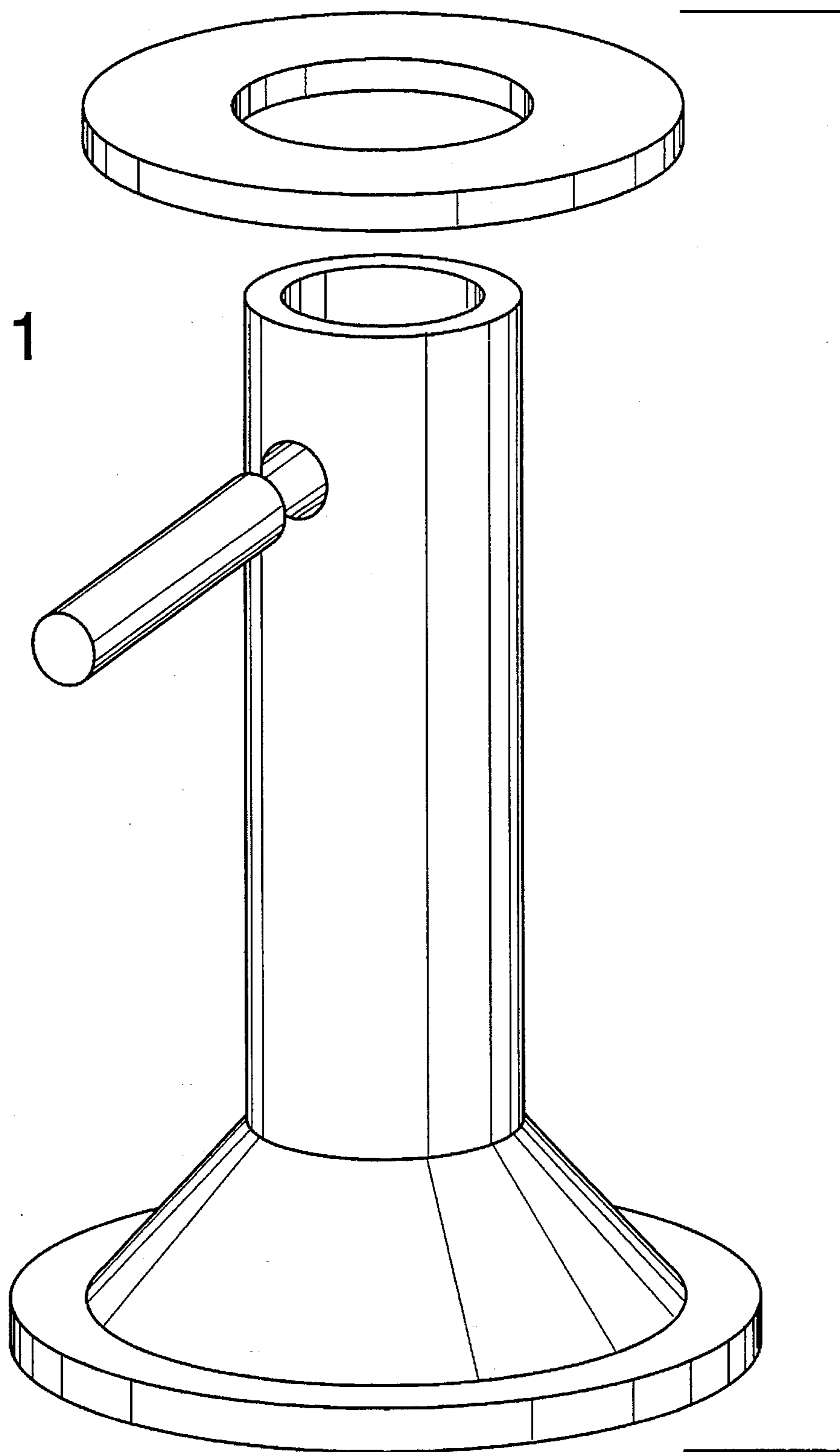


FIG. 1



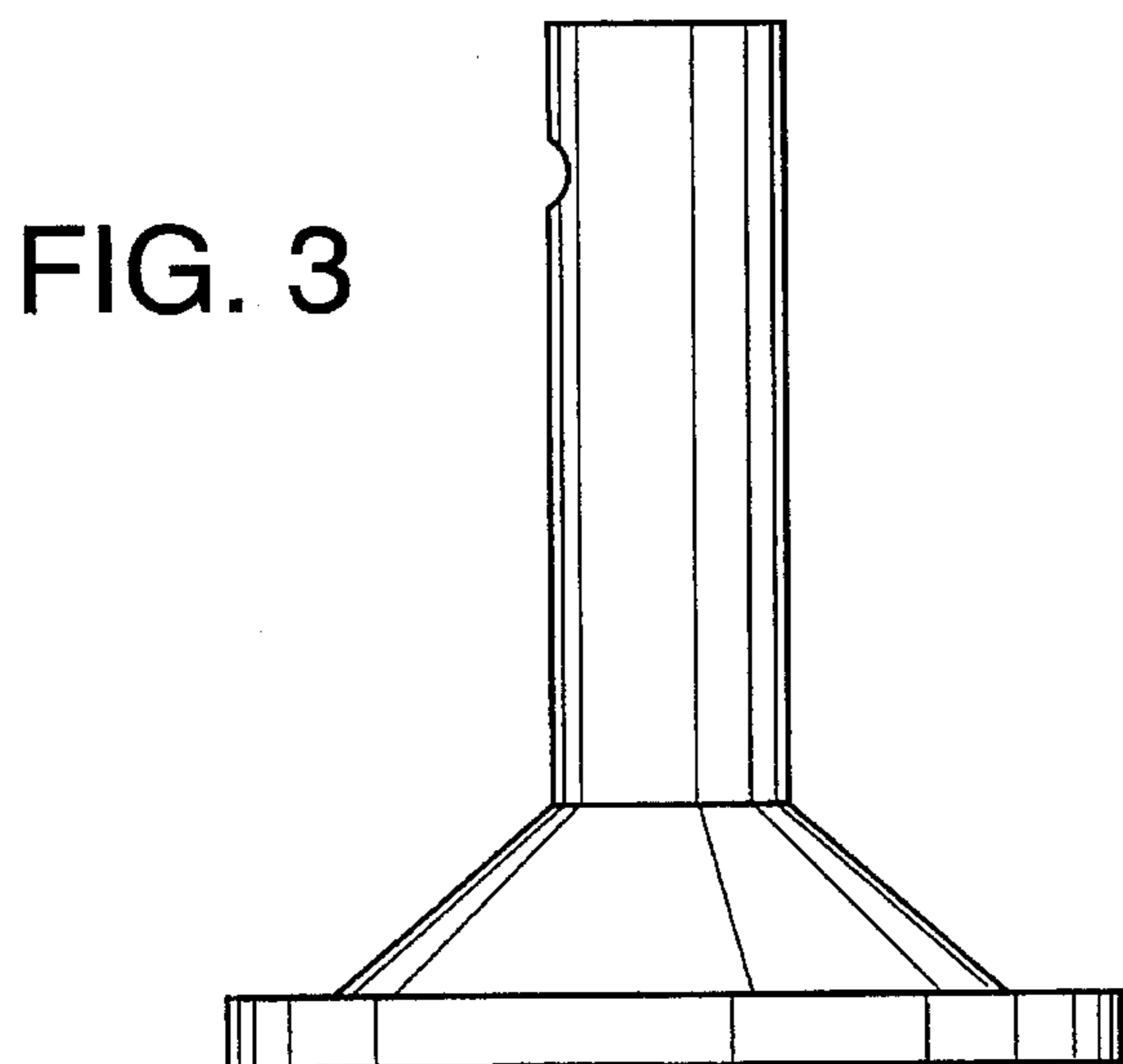
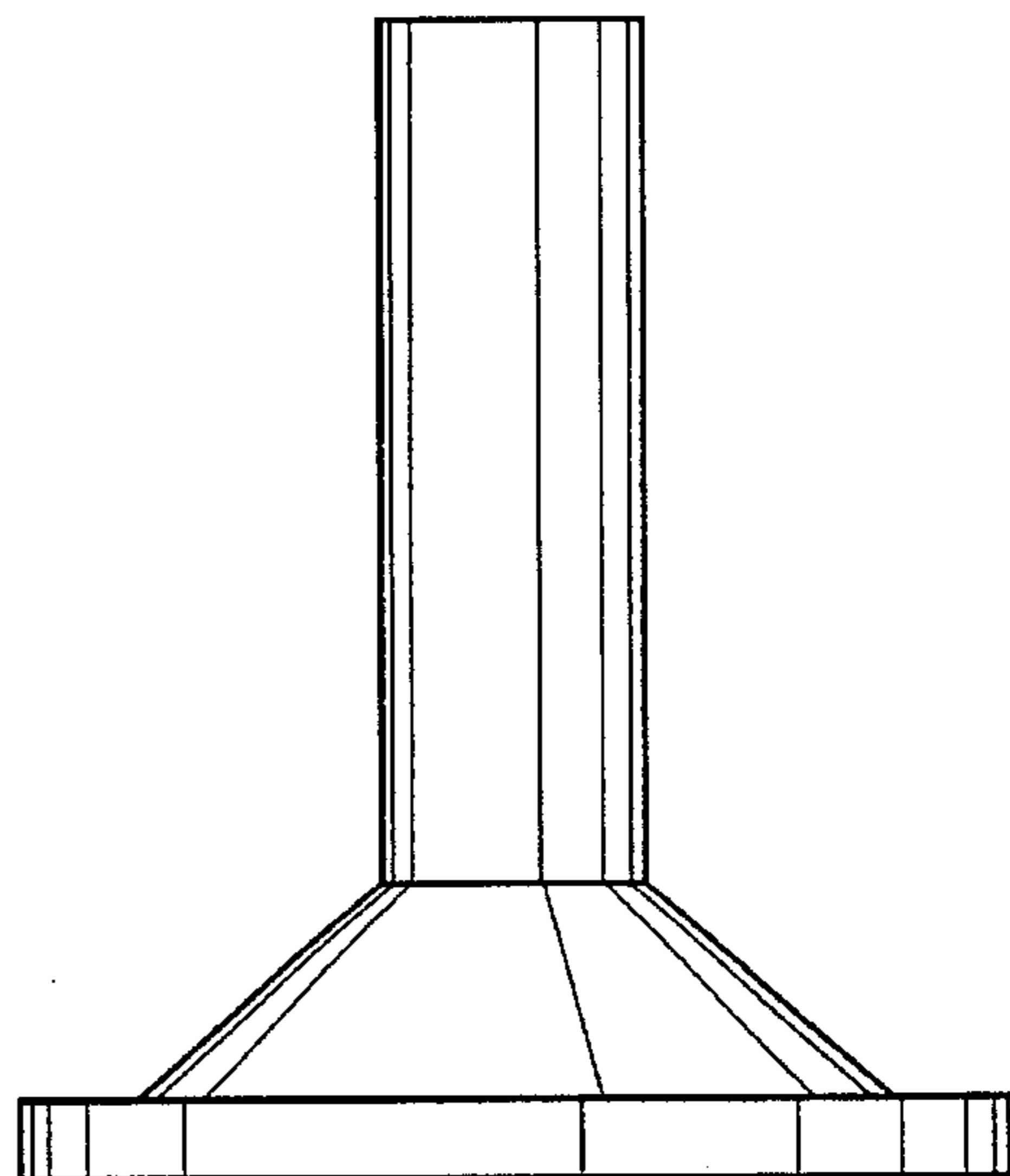
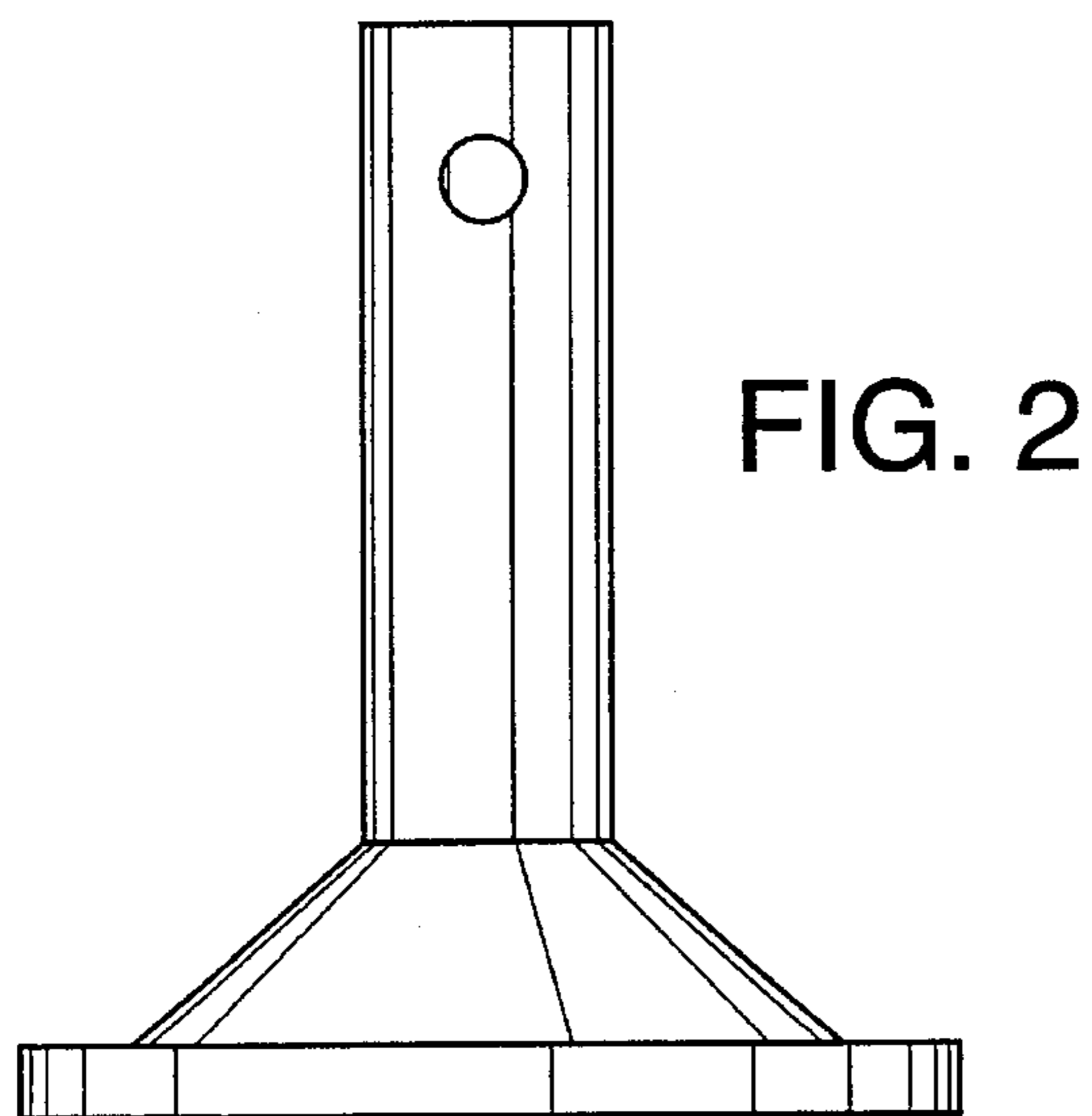


FIG. 4

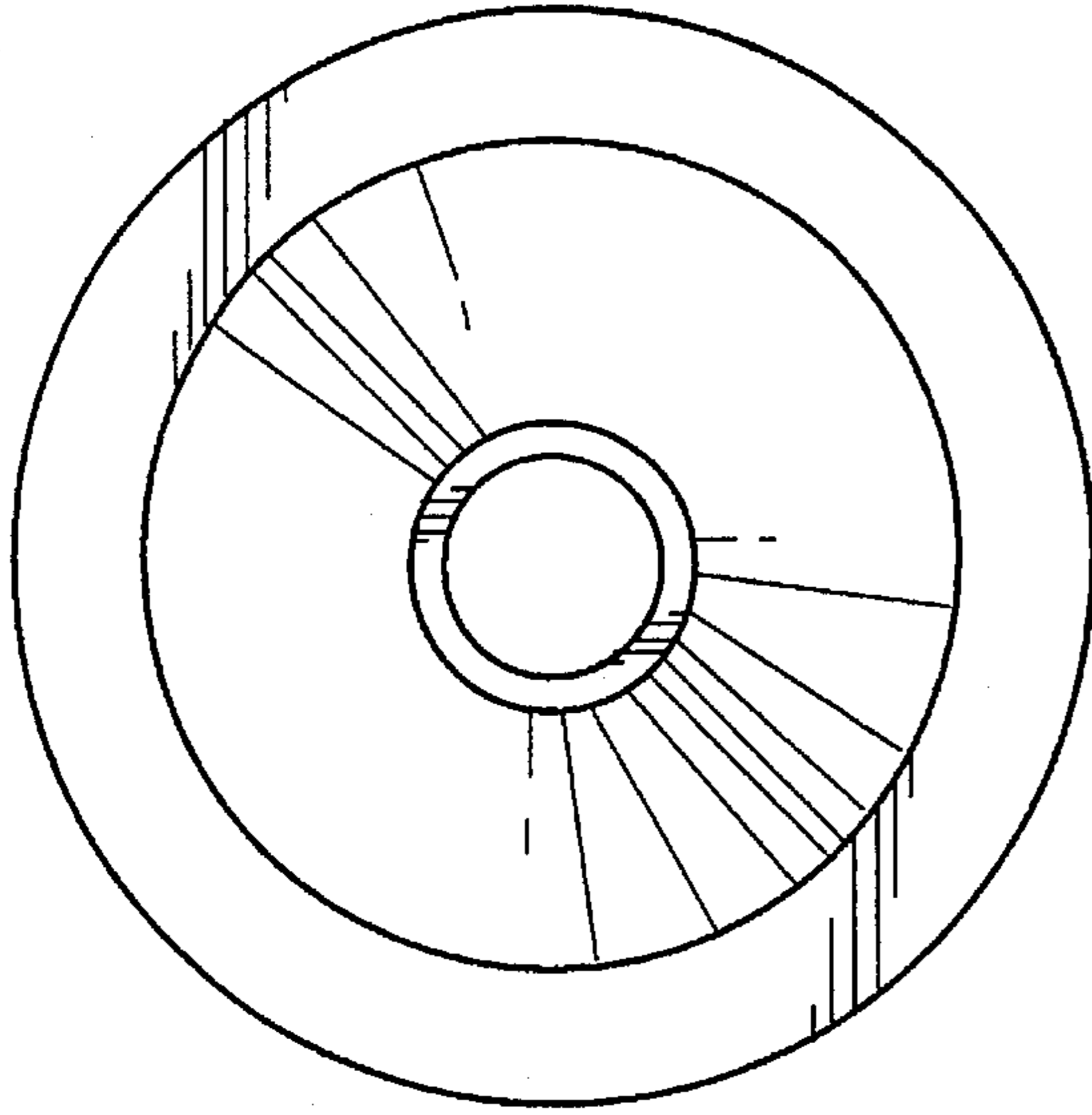


FIG. 5

FIG. 6

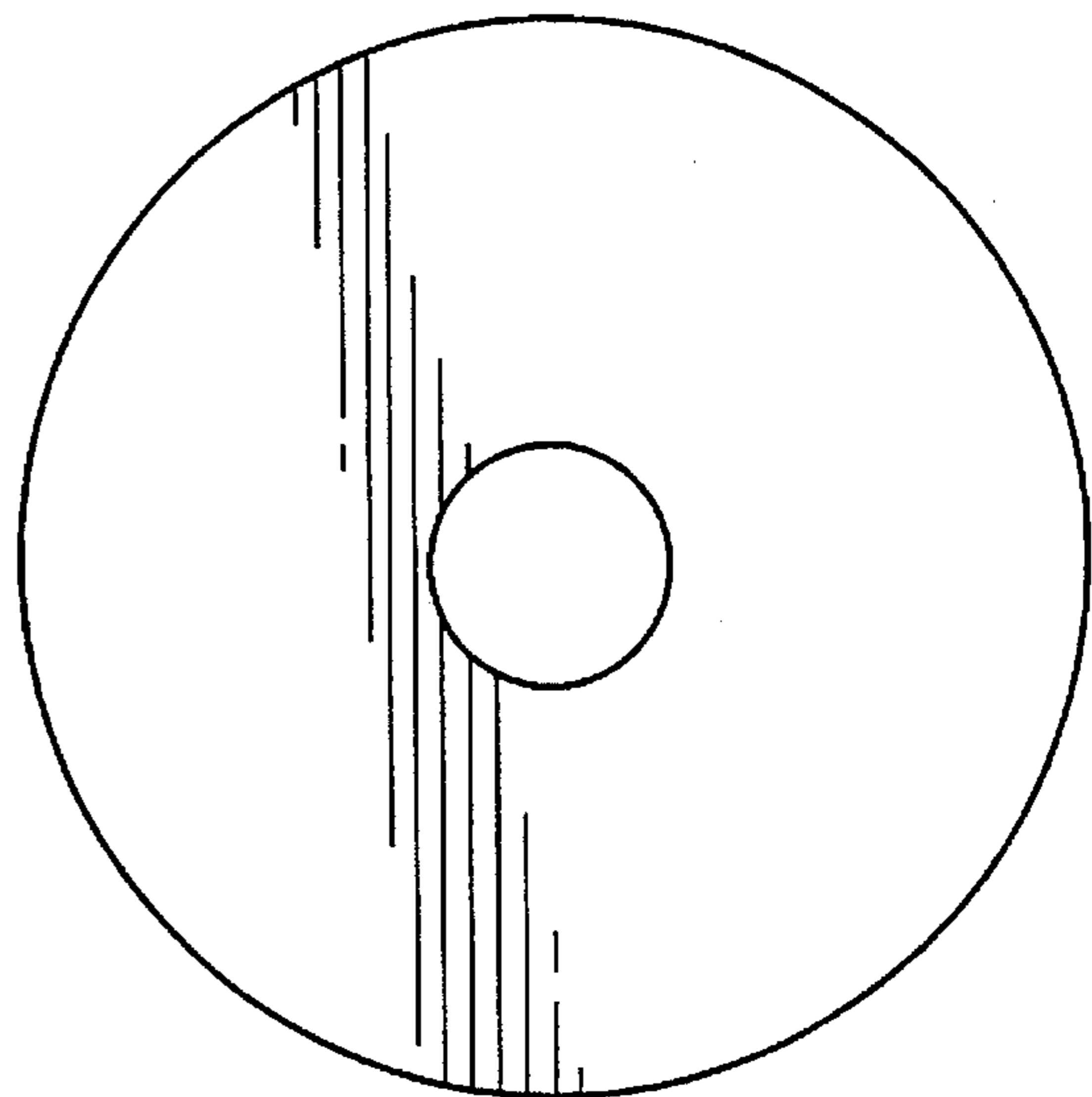


FIG. 7



FIG. 8

FIG. 9

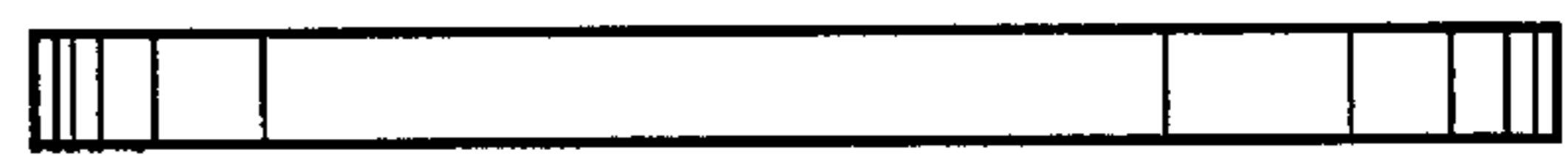
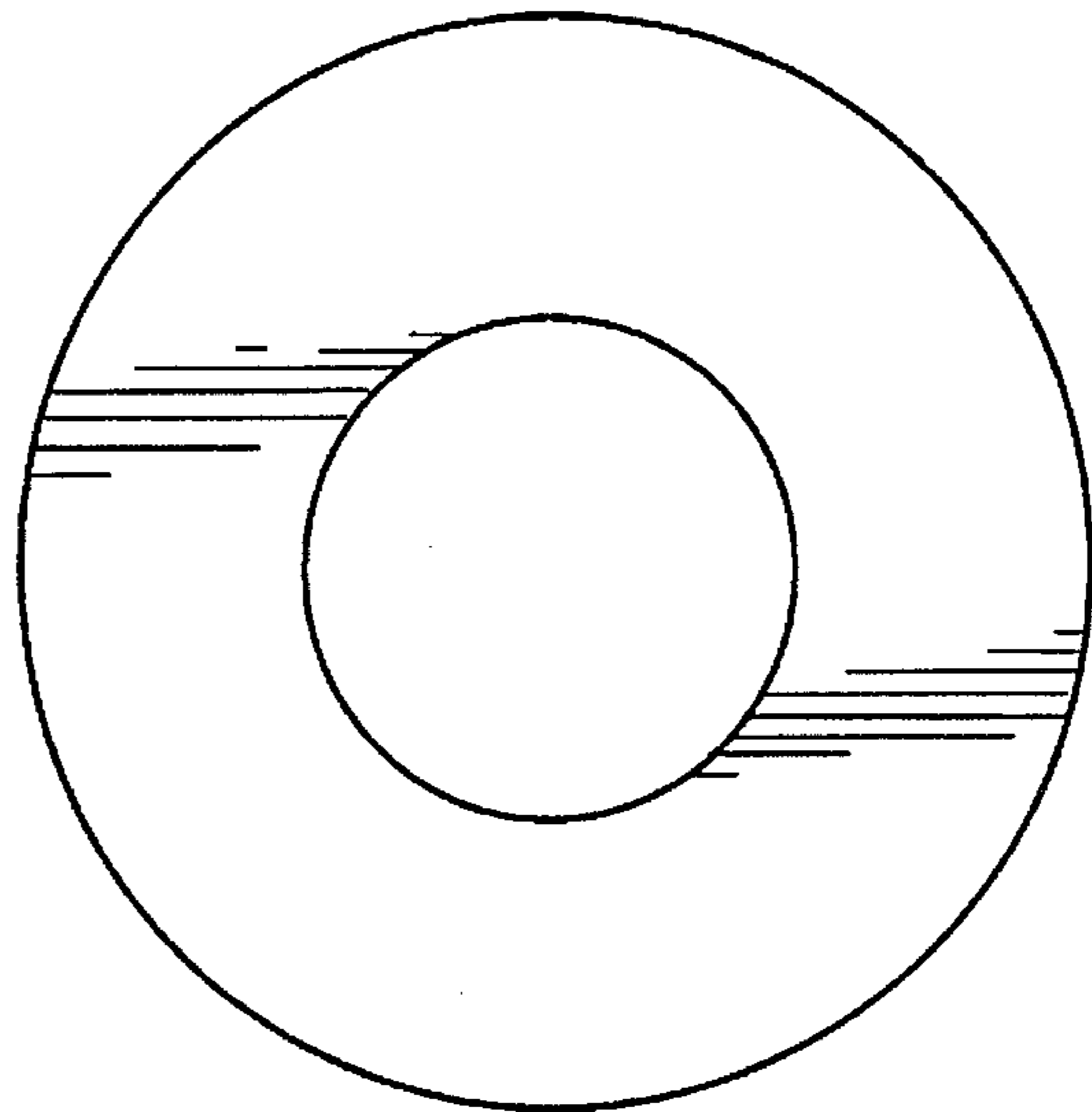


FIG. 10