



US00D375243S

United States Patent [19]
Hasegawa

[11] **Patent Number: Des. 375,243**

[45] **Date of Patent: **Nov. 5, 1996**

[54] **KNIFE HANDLE**

[75] Inventor: **Katsumi Hasegawa**, Sagamihara, Japan

[73] Assignee: **Kai R & D Center Co., Ltd.**,
Gifu-ken, Japan

[**] Term: **14 Years**

[21] Appl. No.: **39,152**

[22] Filed: **May 22, 1995**

[52] U.S. Cl. **D8/107**; D8/DIG. 4; D22/118

[58] **Field of Search** D8/107, 303, DIG. 4;
D22/118; D7/395, 649; 30/340, 343; 16/110 R;
81/489

[56] **References Cited**

U.S. PATENT DOCUMENTS

D. 187,327	3/1960	Daemmer	D22/118
D. 233,122	10/1974	Fauzza	D8/107
D. 236,579	9/1975	Morhack	D8/107
D. 303,748	10/1989	Yamagishi	D8/107
D. 329,185	9/1992	Hasegawa	D8/107
D. 333,239	2/1993	Pogue	D8/107
D. 339,512	9/1993	Collins	D8/107
D. 348,818	7/1994	Hasegawa	D8/99
D. 351,328	10/1994	Hasegawa	D8/107
D. 358,529	5/1995	Rich	D22/118
4,825,552	5/1989	Bendickson et al.	30/340

OTHER PUBLICATIONS

Atlanta Cutlery Catalog, 1994, pp. 23 & 39, Knife handles.

Primary Examiner—Philip S. Hyder
Attorney, Agent, or Firm—Sheridan Ross & McIntosh

[57] **CLAIM**

The ornamental design for a knife handle, as shown and described.

DESCRIPTION

FIG. 1 is a front perspective view of knife handle showing my new design;

FIG. 2 is a rear perspective view thereof;

FIG. 3 is a front elevational view thereof;

FIG. 4 is a top plan view thereof;

FIG. 5 is a bottom view thereof;

FIG. 6 is a cross-sectional view taken along the line 6—6 in FIG. 3;

FIG. 7 is a left side elevational view thereof;

FIG. 8 is a right side elevational view thereof;

FIG. 9 is a cross-sectional view taken along the line 9—9 in FIG. 3; and,

FIG. 10 is a front elevational view thereof, wherein the broken line showing of the blade is for illustrative purposes only and forms no part of the claimed design.

1 Claim, 3 Drawing Sheets

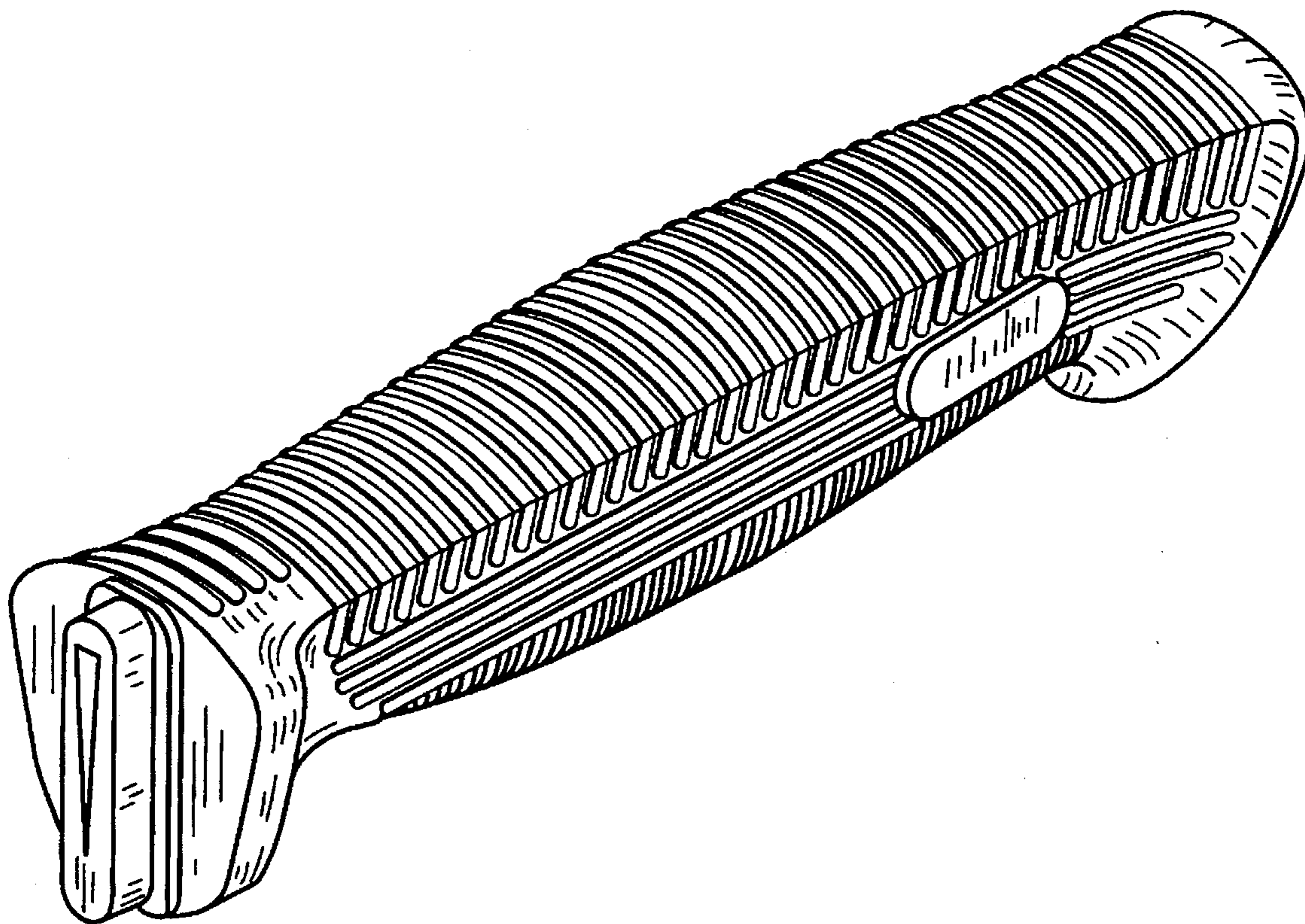


Fig. 1

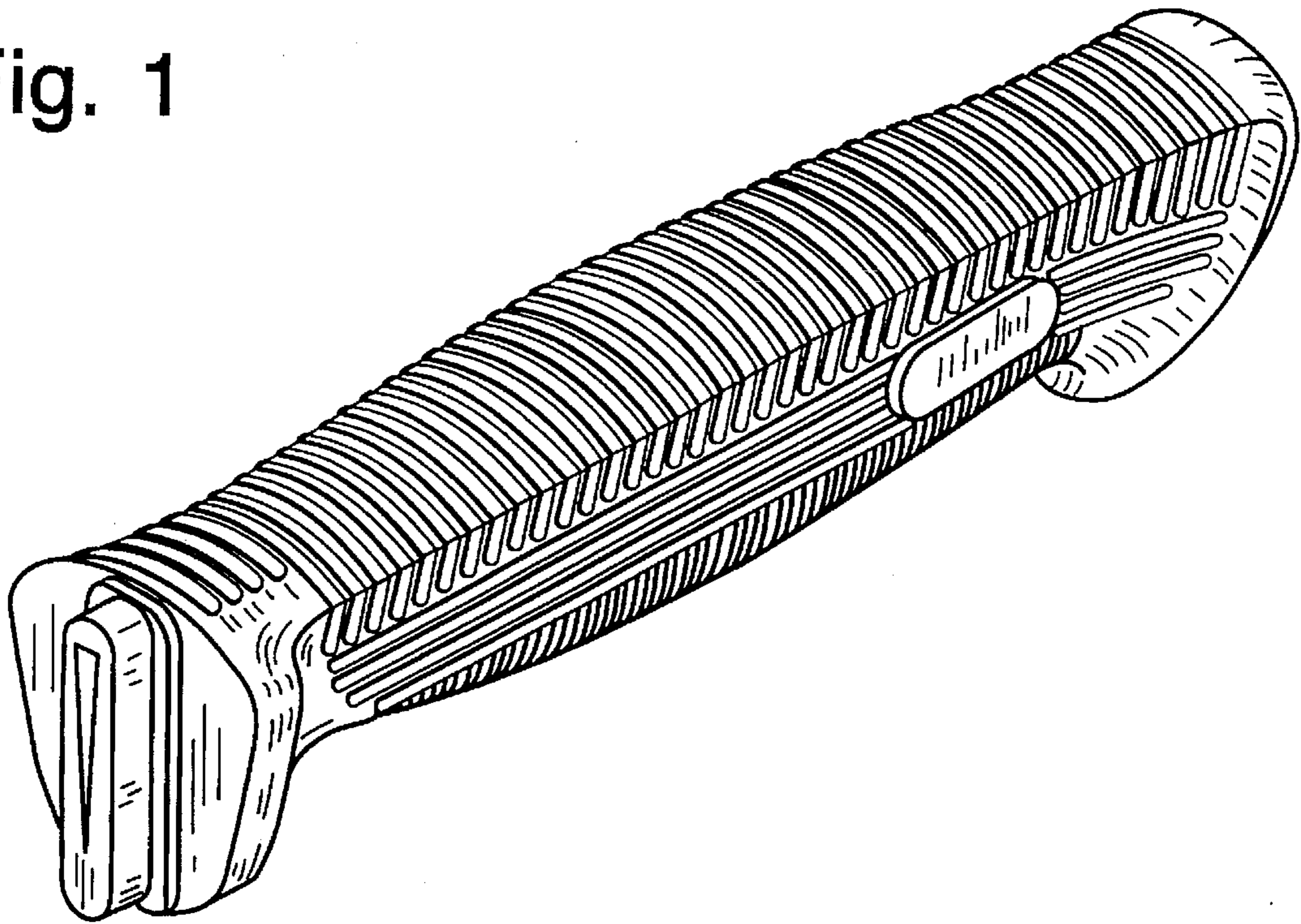


Fig. 2

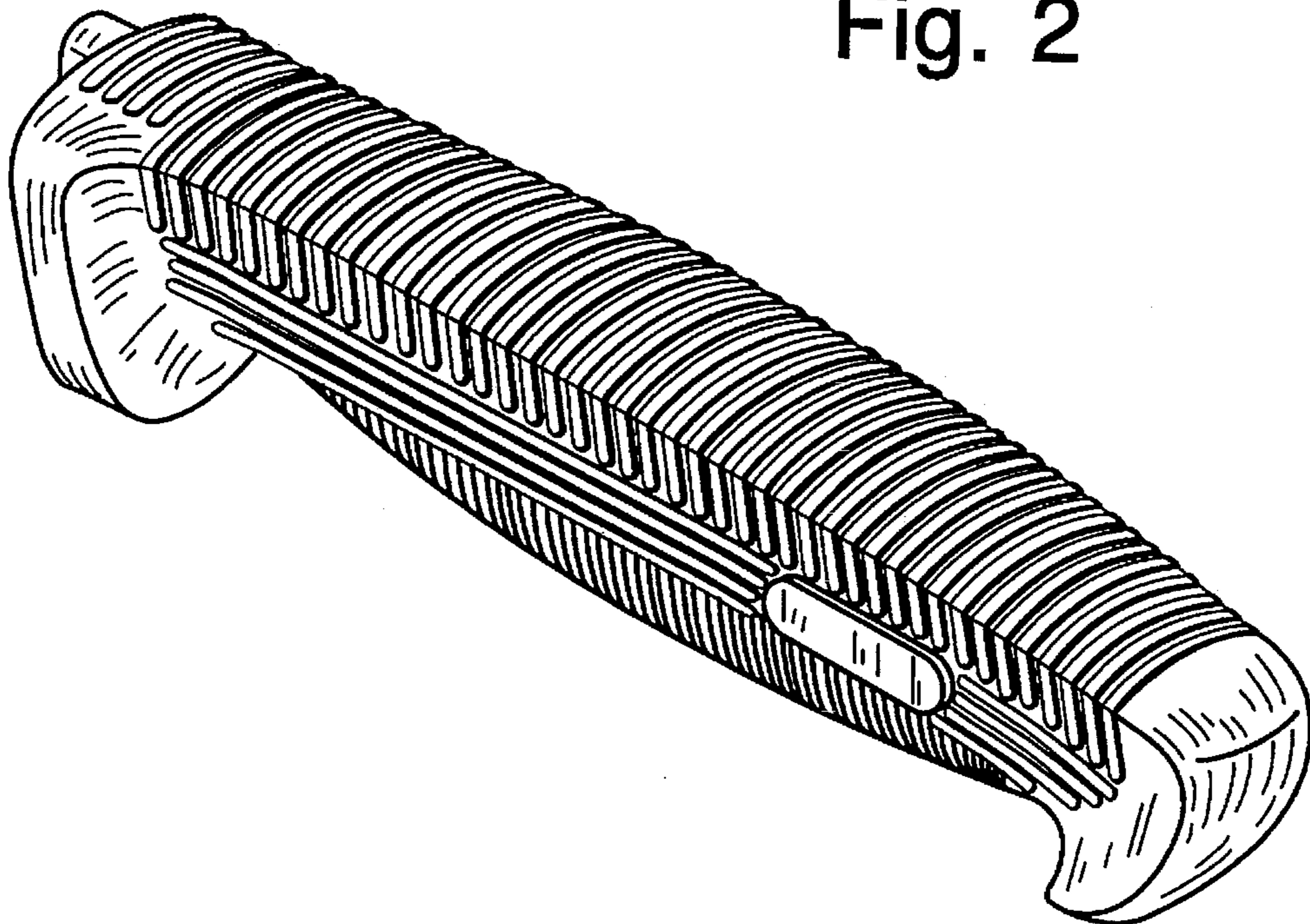


Fig. 3

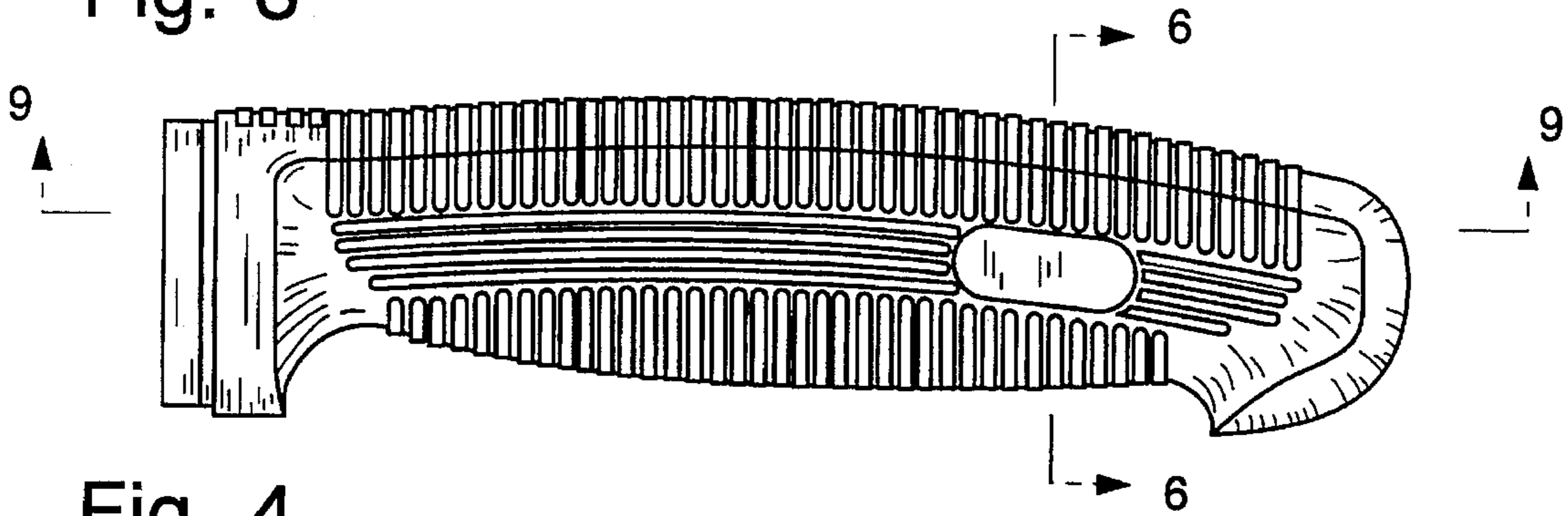


Fig. 4

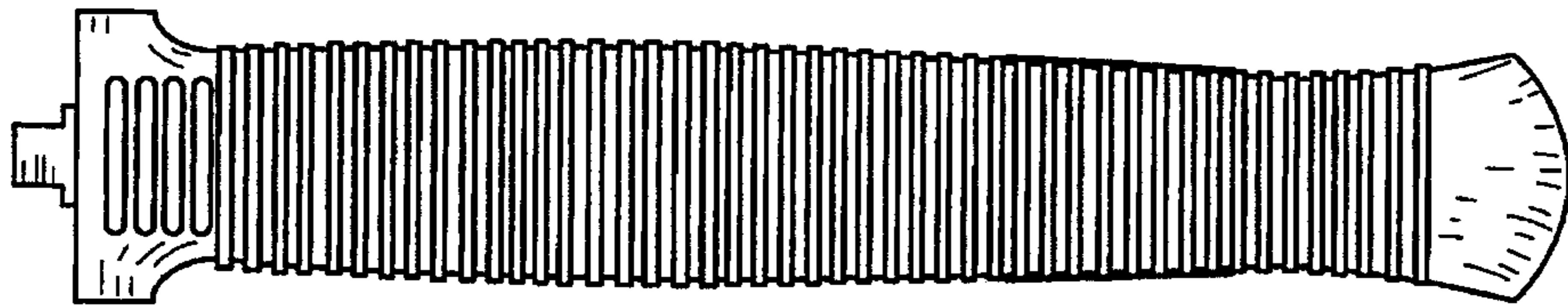


Fig. 5

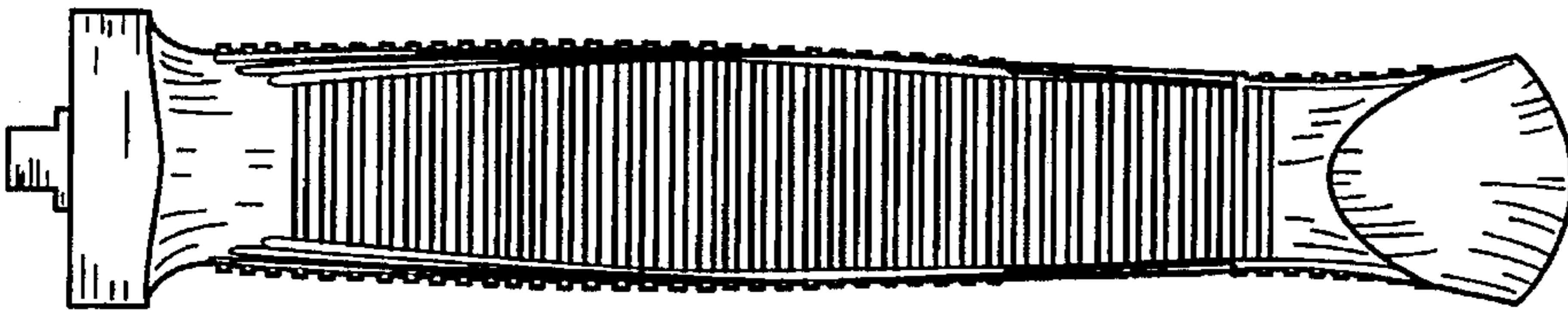


Fig. 6

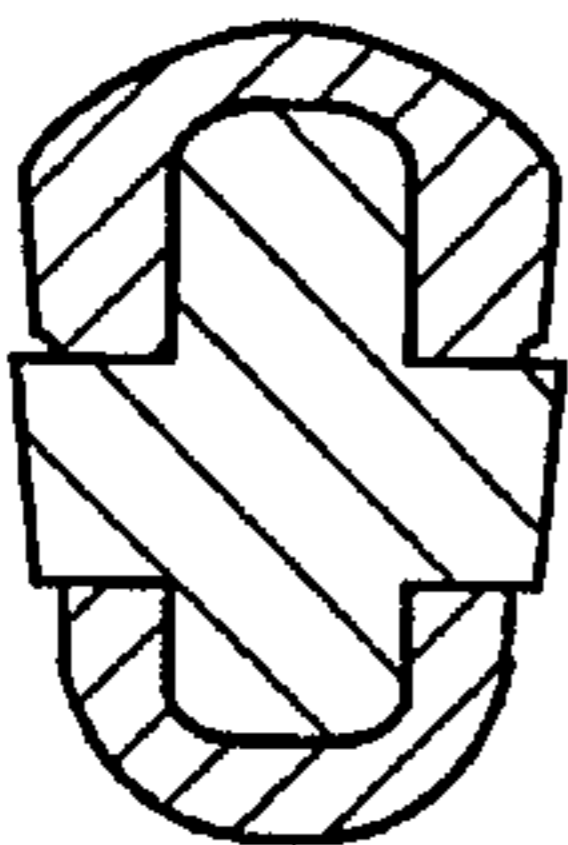


Fig. 7

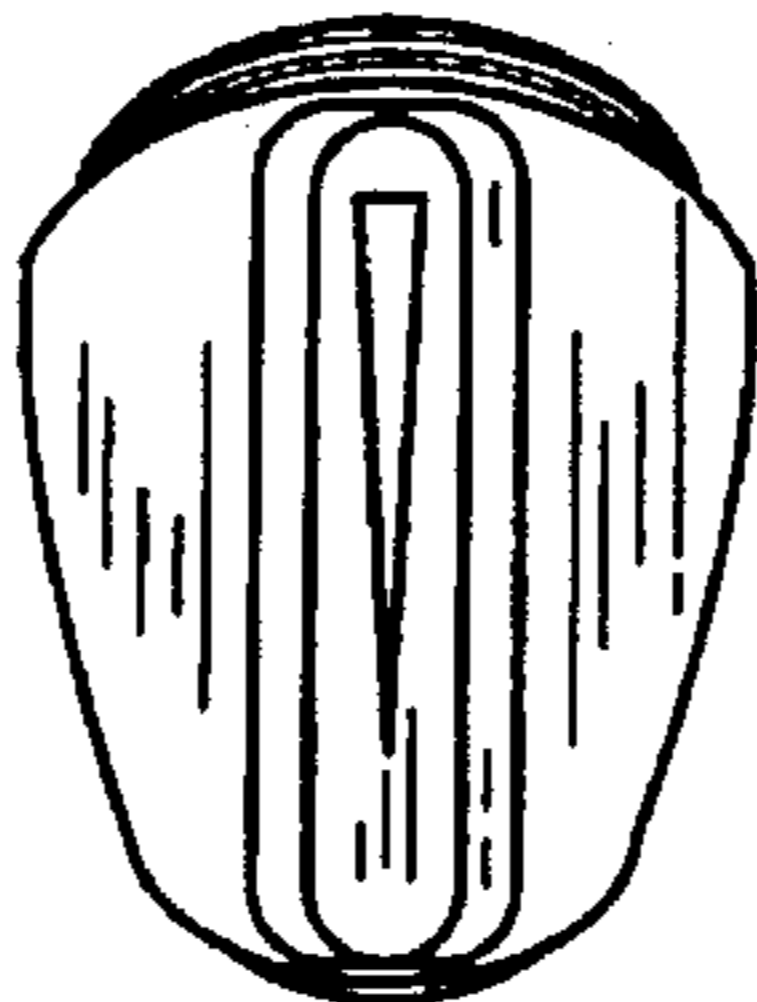


Fig. 8

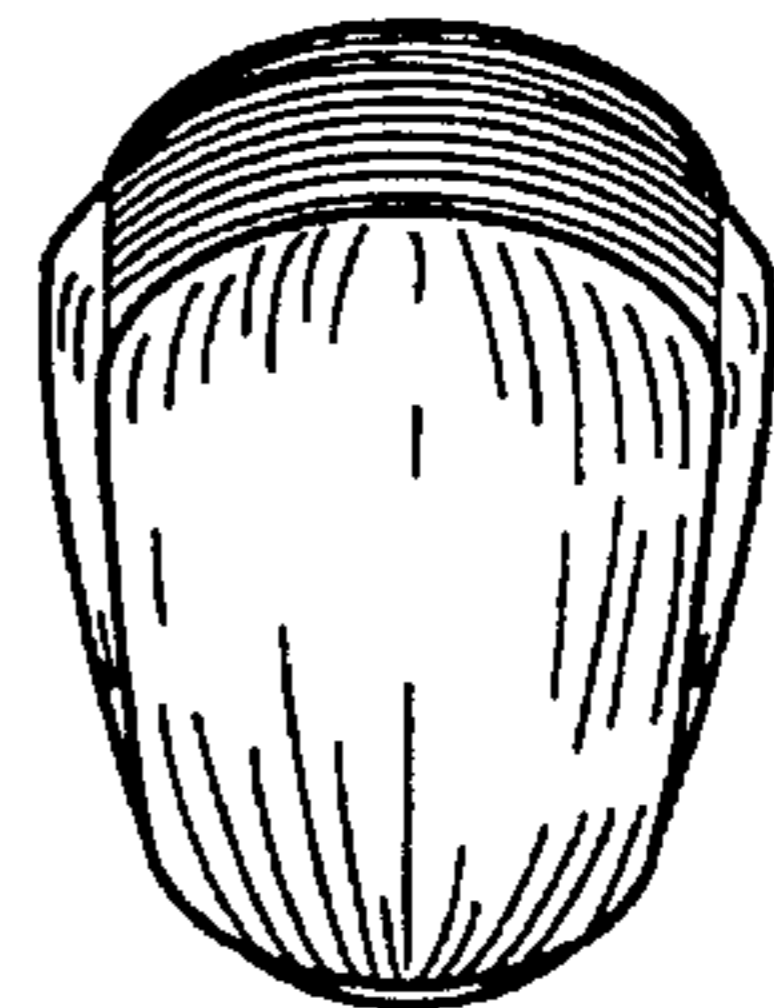


Fig. 9

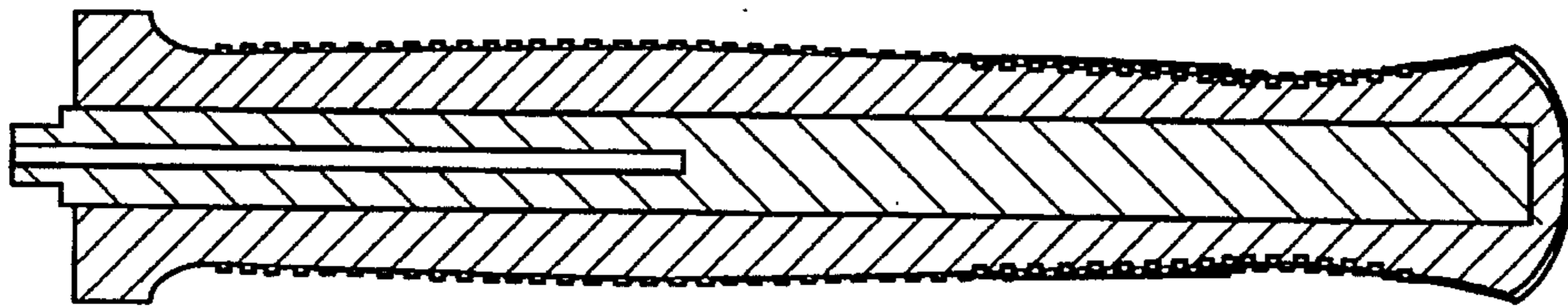


Fig. 10

