



US00D375238S

United States Patent [19]
Colley

[11] **Patent Number: Des. 375,238**

[45] **Date of Patent: **Nov. 5, 1996**

[54] **CLAMP**
[75] **Inventor: Scott A. Colley, Fort Wayne, Ind.**
[73] **Assignee: Universal Consolidated Methods, Inc., Topeka, Ind.**
[**] **Term: 14 Years**
[21] **Appl. No.: 39,544**
[22] **Filed: May 26, 1995**
[52] **U.S. Cl. D8/72**
[58] **Field of Search D8/71, 72, 73, D8/354; 24/514; 29/257; 83/745; 242/404.2; 269/143, 249; 451/365**

4,638,602 1/1987 Cavalieri 451/365
4,753,425 6/1988 Yang 269/249
4,828,241 5/1989 Yang 269/249
5,177,851 1/1993 Skoworodko 29/257

Primary Examiner—B. J. Bullock
Assistant Examiner—Robert M. Spear
Attorney, Agent, or Firm—Roger M. Rickert

[57] **CLAIM**

The ornamental design for a clamp, as shown and described.

DESCRIPTION

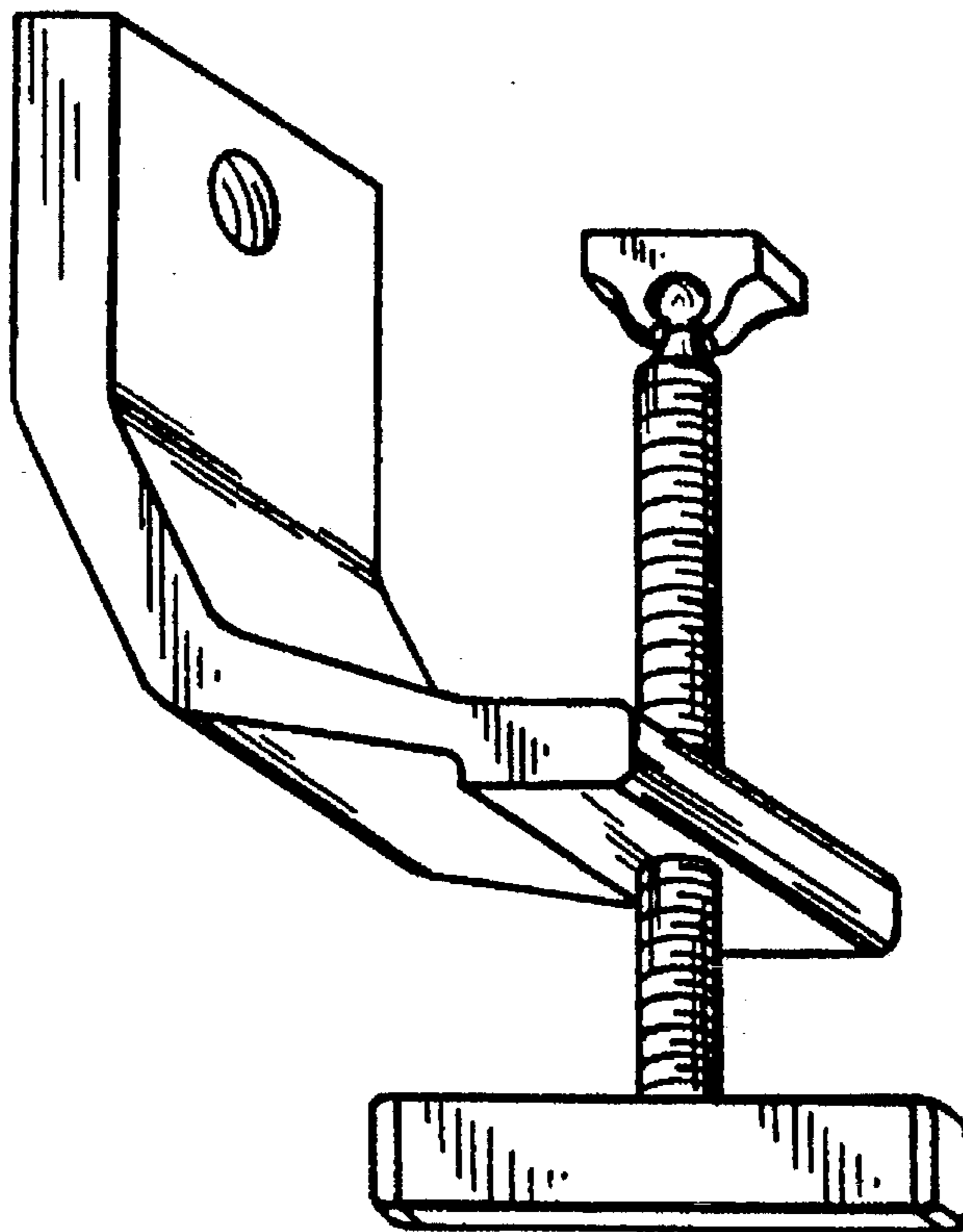
FIG. 1 is a perspective view of the clamp illustrating my new design;
FIG. 2 is a left side elevational view thereof, the opposite side elevational view being a mirror image thereof;
FIG. 3 is a front end elevational view thereof;
FIG. 4 is a rear end elevational view thereof;
FIG. 5 is a top plan view thereof; and,
FIG. 6 is a bottom plan view thereof.
FIGS. 2–6 are shown at a reduced scale.

[56] **References Cited**

U.S. PATENT DOCUMENTS

D. 215,141 9/1969 Harmsen D8/354
D. 278,308 4/1985 Garvis D8/73
D. 284,830 7/1986 Barron, Jr. D8/72
D. 286,971 12/1986 Lund D8/72
D. 340,019 10/1993 Yoder D8/72

1 Claim, 1 Drawing Sheet



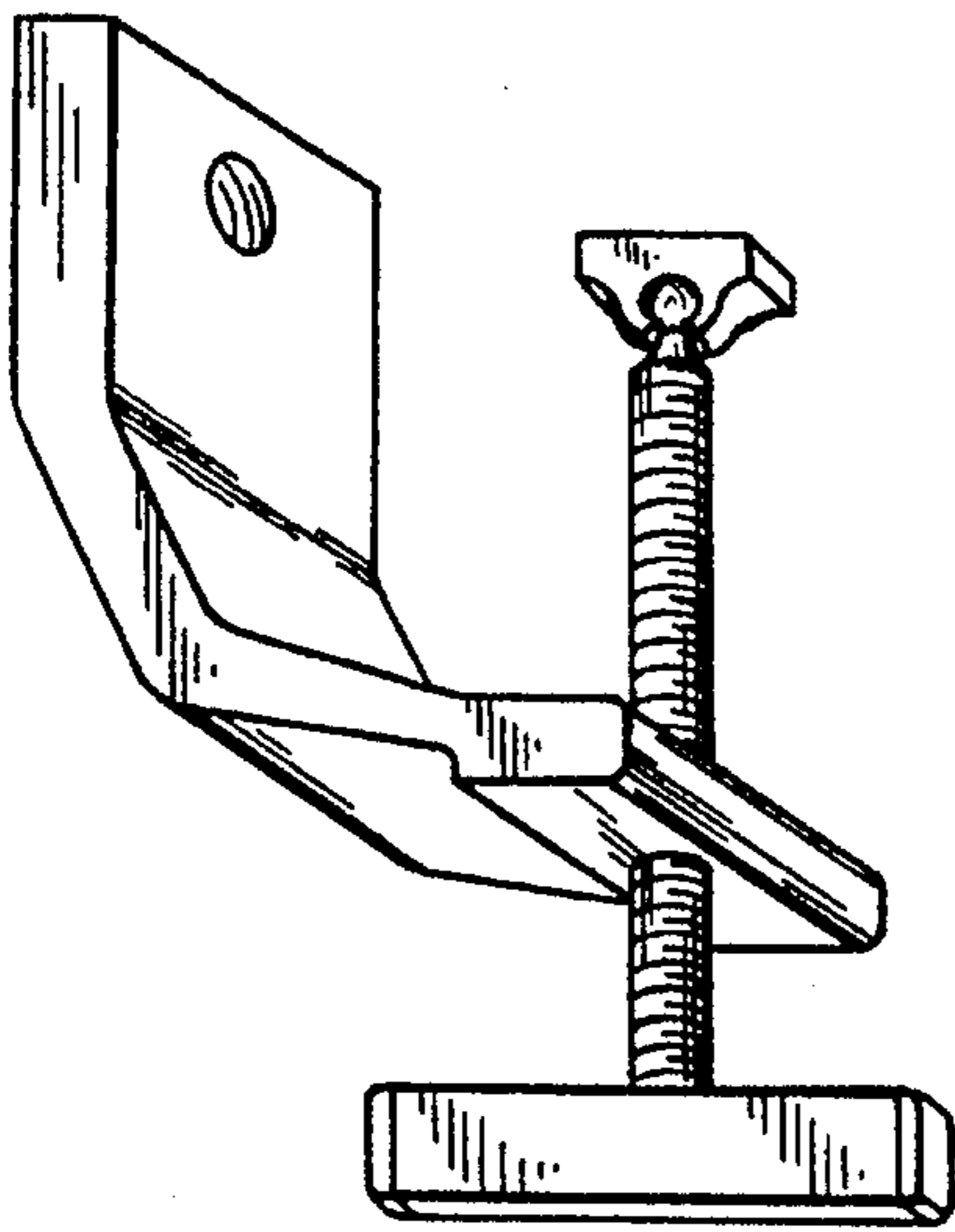


FIG. 1

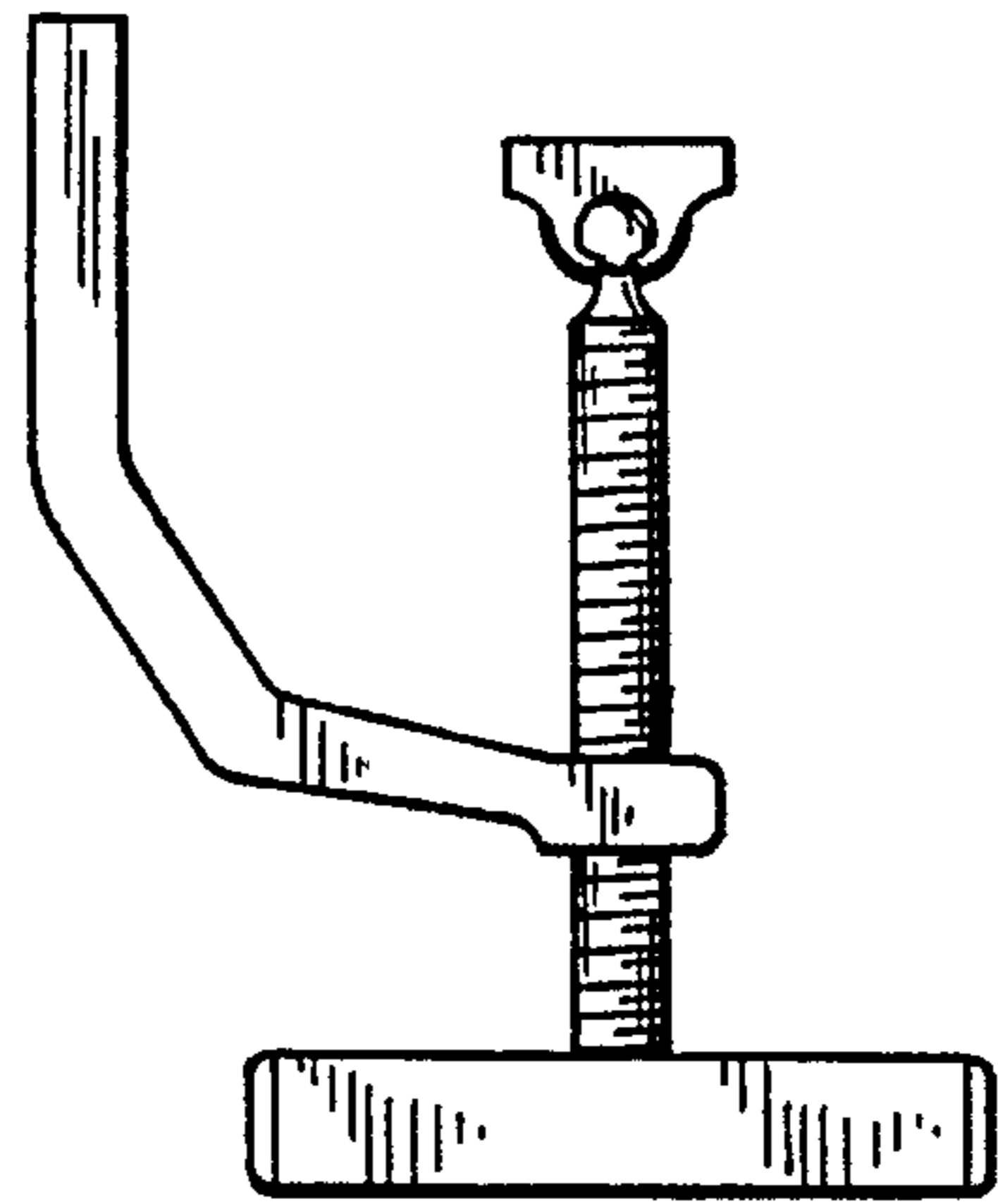


FIG. 2

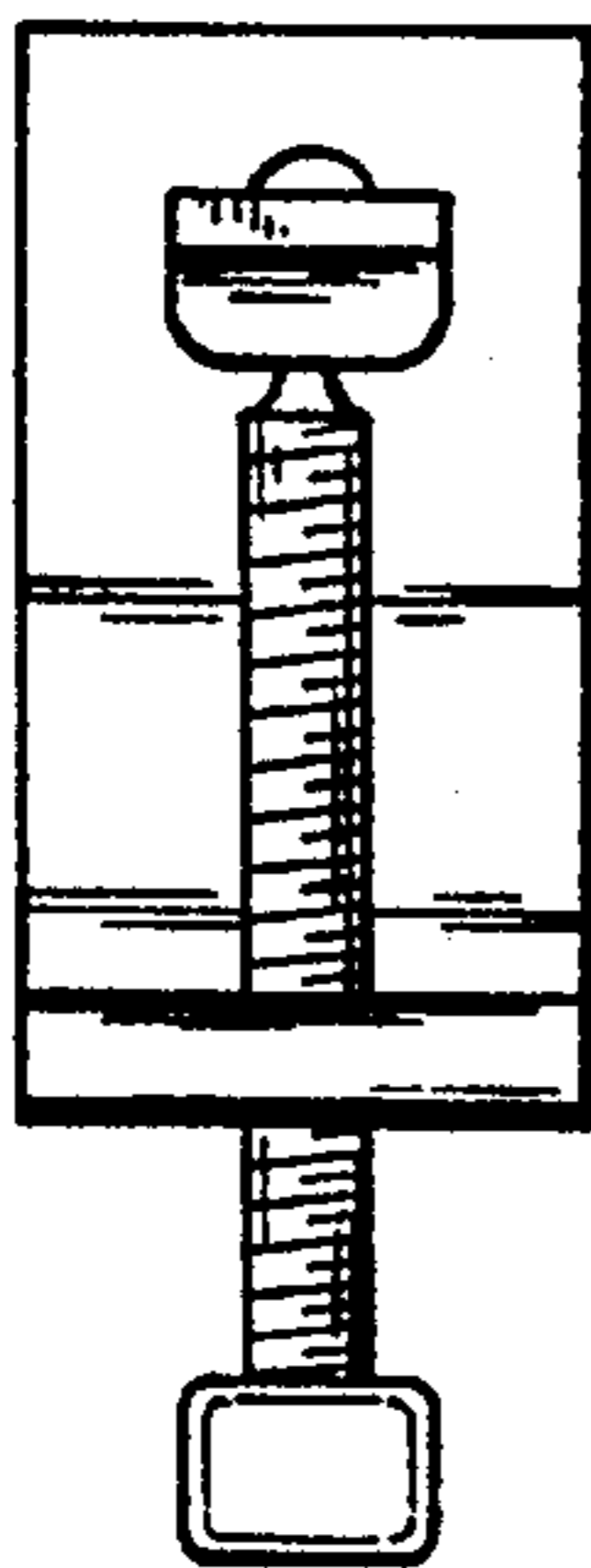


FIG. 3

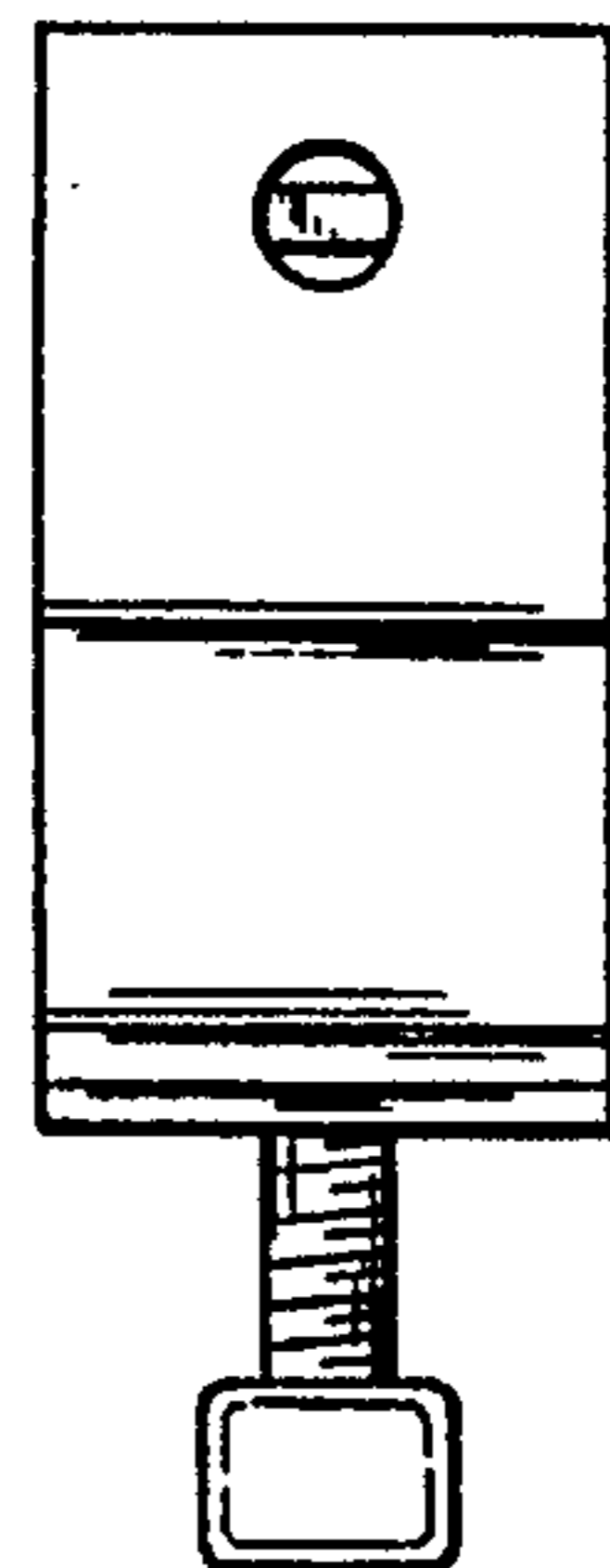


FIG. 4

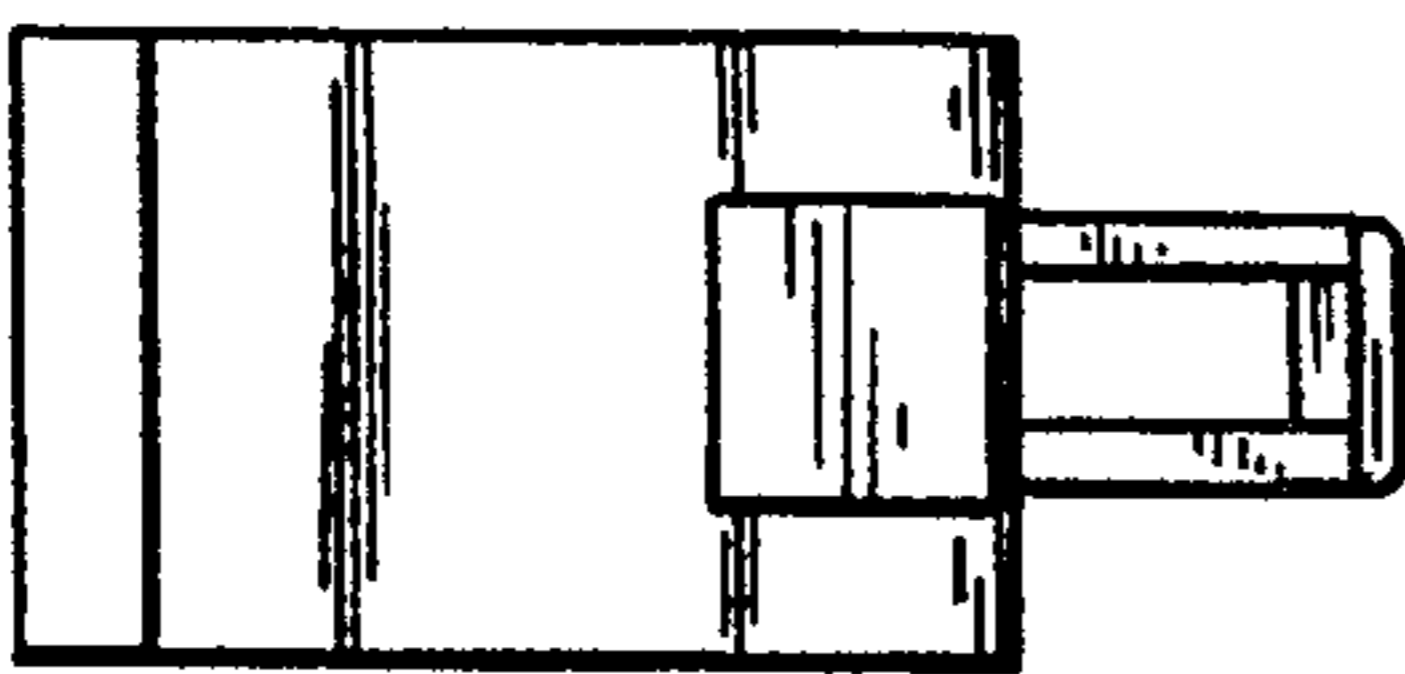


FIG. 5

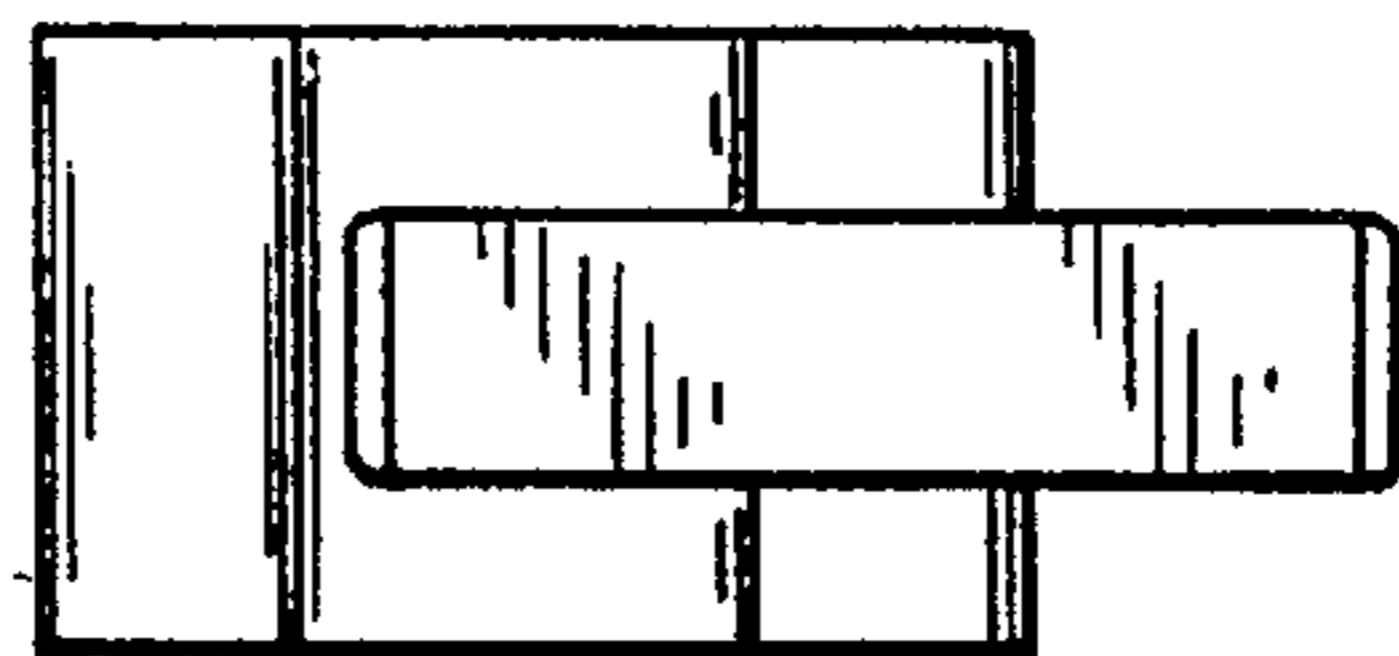


FIG. 6