



US00D375237S

United States Patent [19]

[11] Patent Number: **Des. 375,237**

Pininfarina

[45] Date of Patent: ****Nov. 5, 1996**

[54] **HYDRAULIC WRENCH**

[75] Inventor: **Paolo Pininfarina**, Turin, Italy

[73] Assignee: **Unex Corporation**, Mahwah, N.J.

[**] Term: **14 Years**

[21] Appl. No.: **51,385**

[22] Filed: **Mar. 8, 1996**

[52] U.S. Cl. **D8/61**

[58] Field of Search D8/61, 68; 81/57.11,
81/57.13, 57.19, 57.36, 57.39, 63

[56] **References Cited**

U.S. PATENT DOCUMENTS

3,273,428	9/1966	Rudeke	D8/61 X
4,825,730	5/1989	Junkers	81/57.36
5,392,671	2/1995	Hazzard	81/57.13
5,522,291	6/1996	Liu	81/177.4

Primary Examiner—James M. Gandy
Attorney, Agent, or Firm—Michael J. Striker

[57] **CLAIM**

The ornamental design for a hydraulic wrench, as shown and described.

DESCRIPTION

FIG. 1 is a top plan view of a hydraulic wrench showing my new design;

FIG. 2 is a front elevational view of an alternate embodiment thereof, the only difference residing in the inclusion of a switch in the ribbed area;

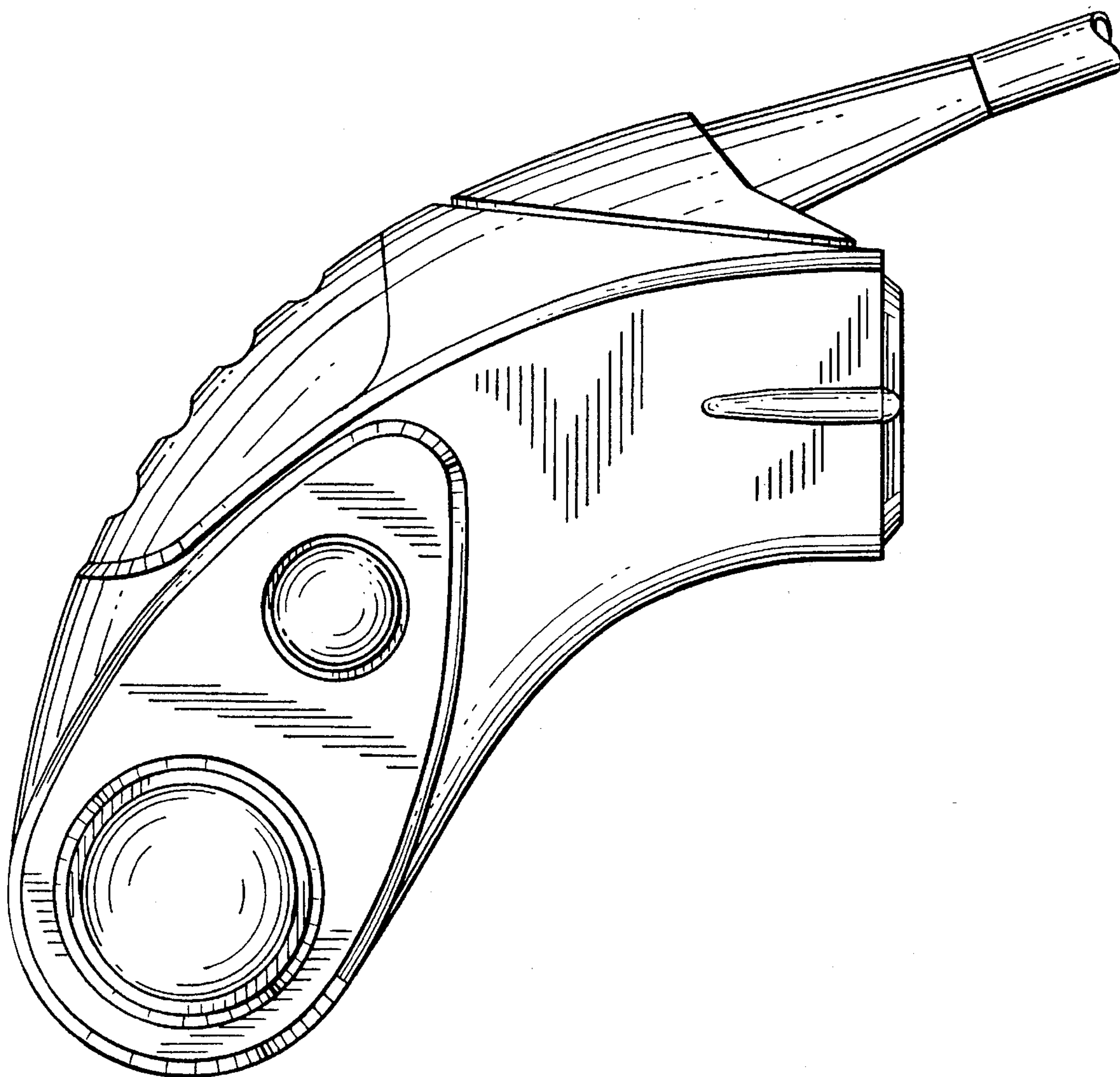
FIG. 3 is a right side elevational view of the design of FIG. 1;

FIG. 4 is a rear elevational view of the design of FIG. 1;

FIG. 5 is a left side elevational view of the design of FIG. 1; and,

FIG. 6 is a bottom plan view thereof.

1 Claim, 3 Drawing Sheets



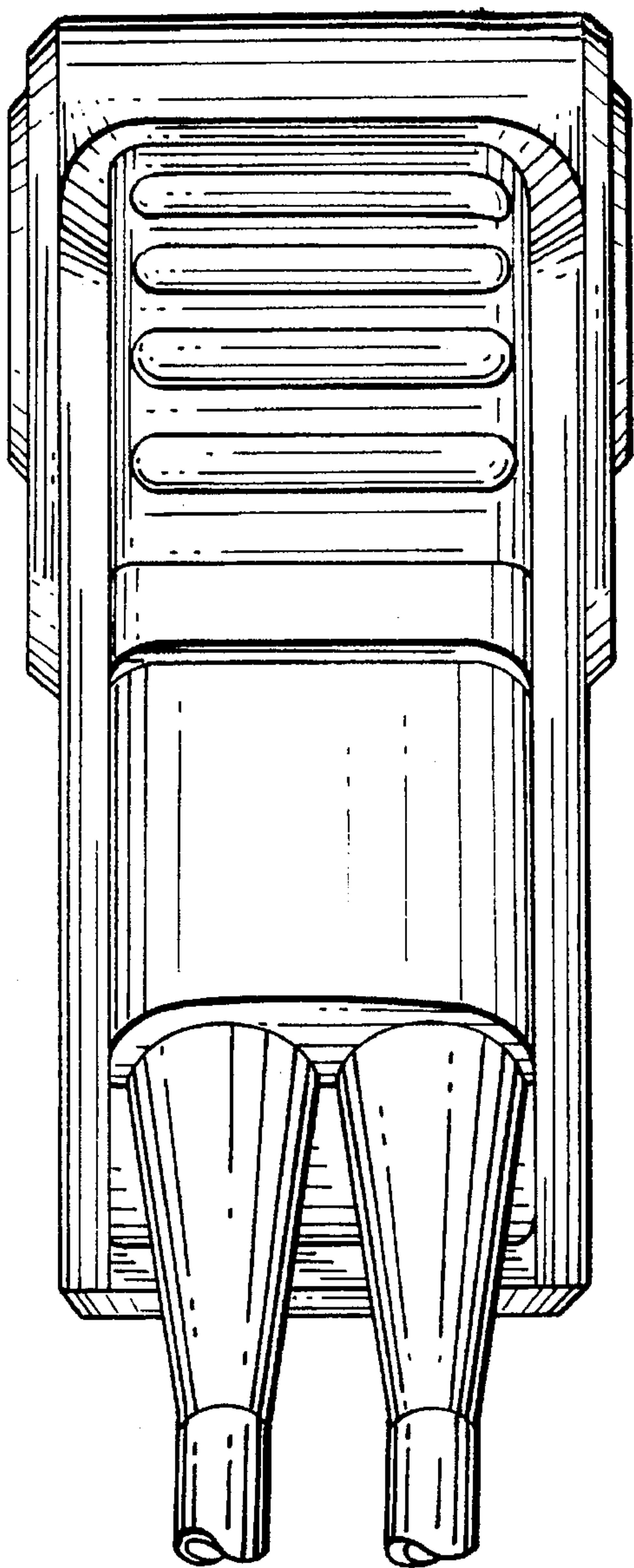


FIG. 1

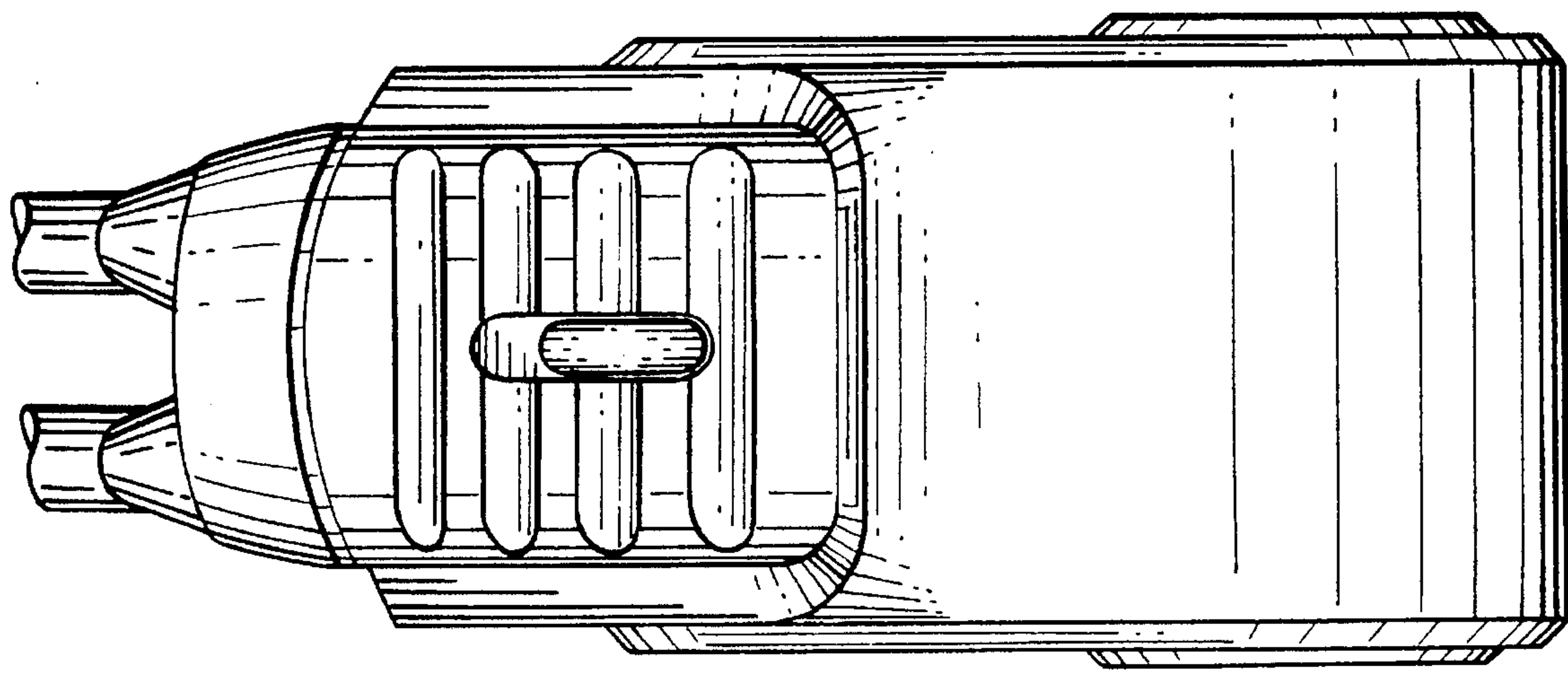


FIG. 2

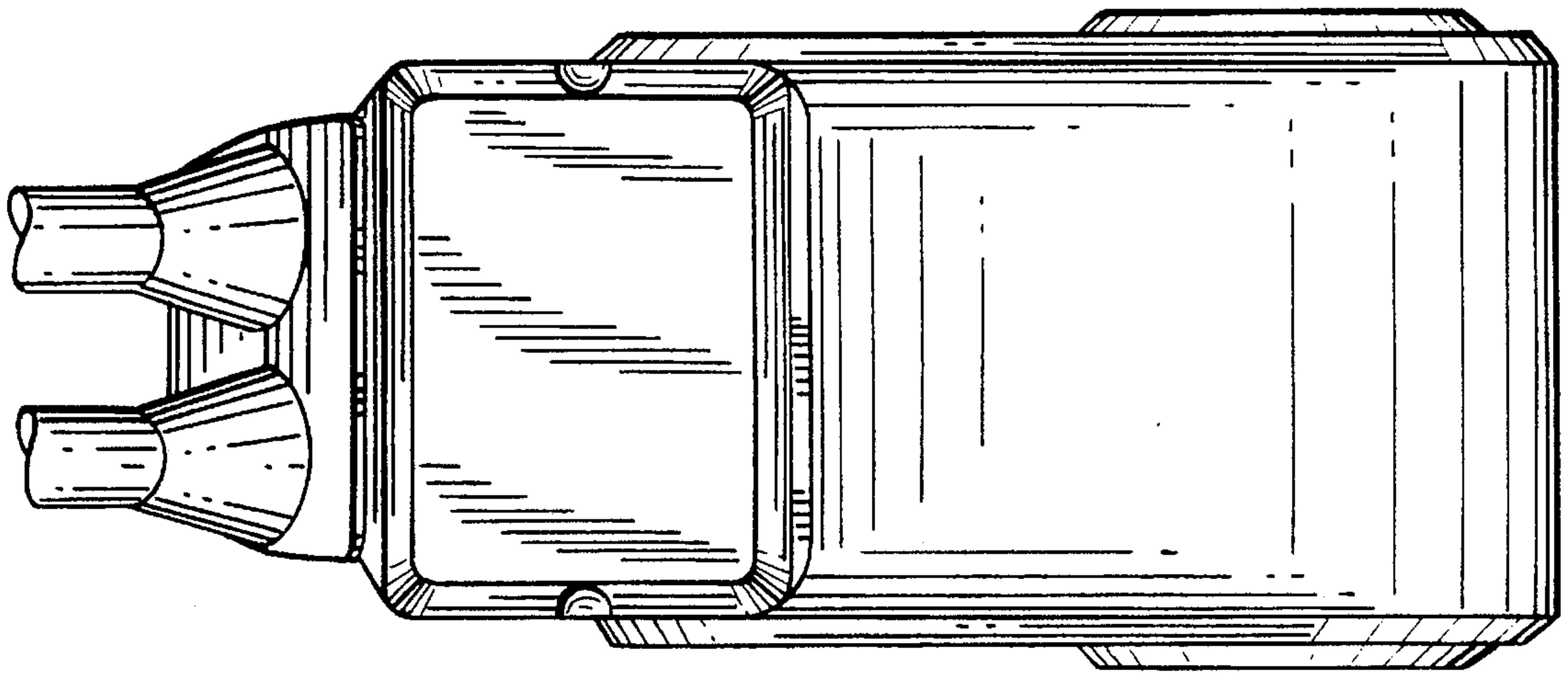


FIG. 4

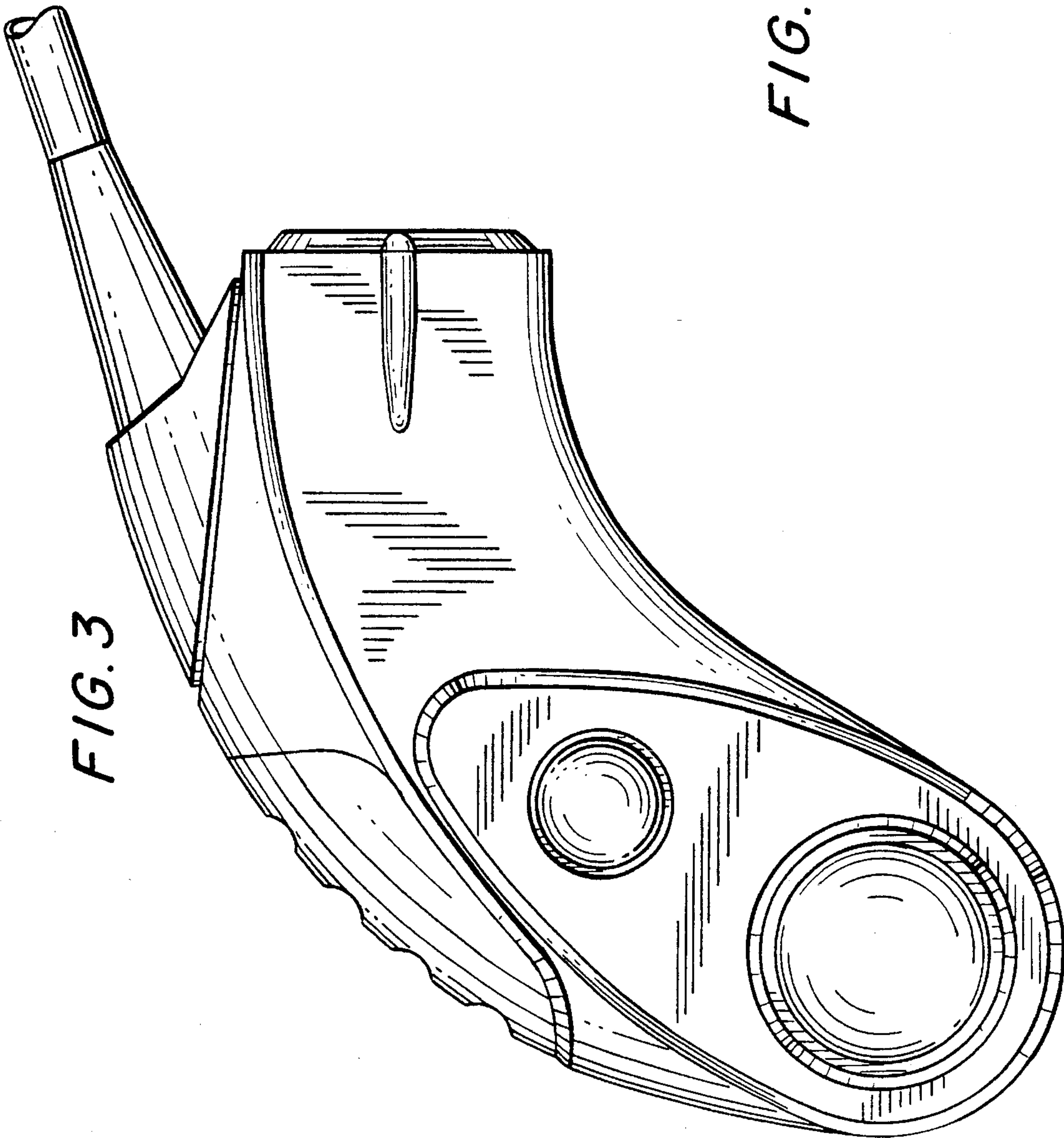


FIG. 3

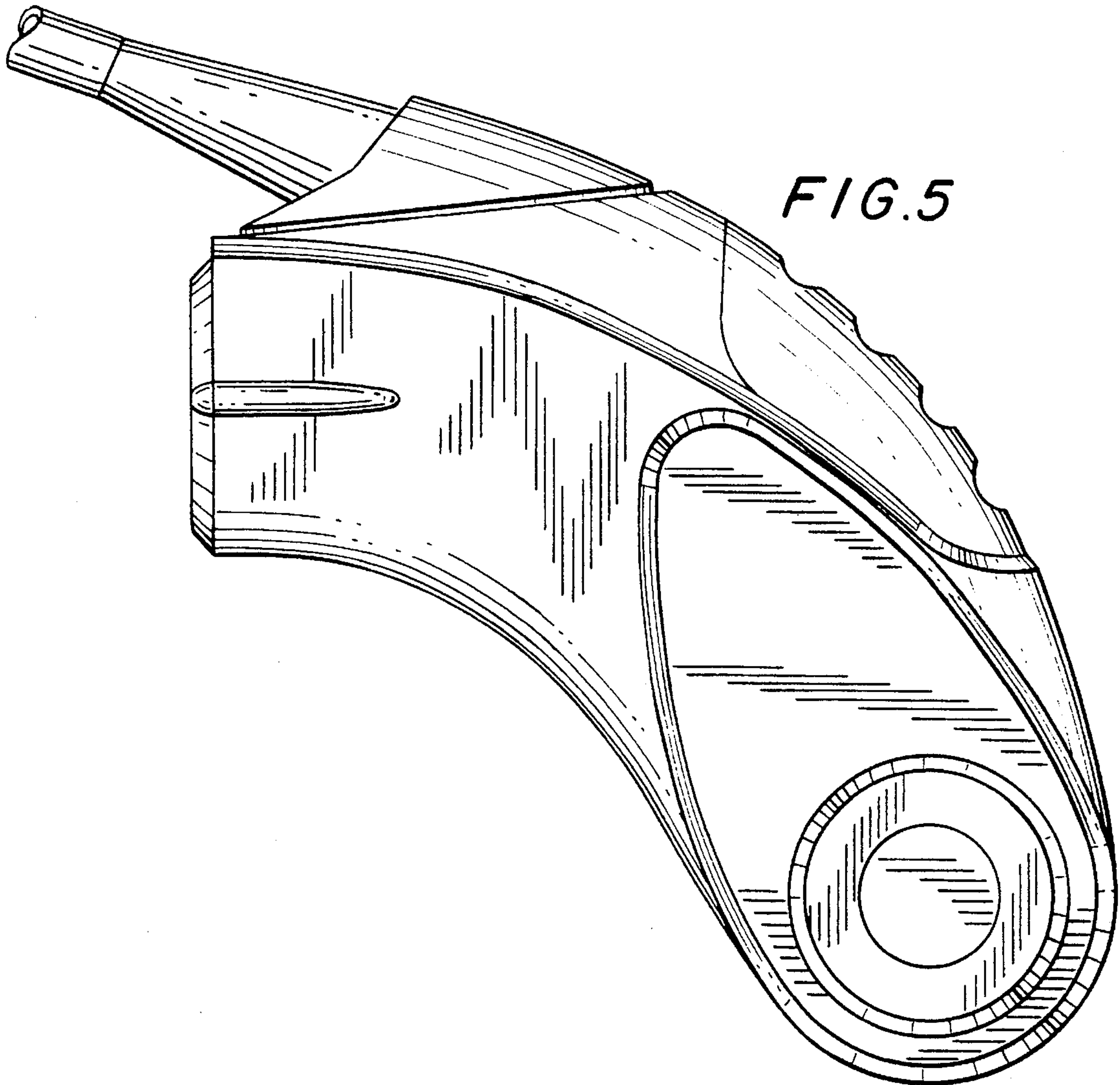


FIG. 6

