



US00D375235S

United States Patent [19]

Spear et al.

[11] Patent Number: **Des. 375,235**

[45] Date of Patent: ****Nov. 5, 1996**

[54] **SLEIGH SHOVEL WITH WHEELS**

4,125,951 11/1978 Huerth 294/57 X
4,193,626 3/1980 Vondracek .

[75] Inventors: **Kenneth J. Spear**, Vienna; **Peter T. Collins**, Parkersburg, both of W. Va.

Primary Examiner—Holly Baynham
Attorney, Agent, or Firm—Cushman, Darby & Cushman

[73] Assignee: **O. Ames Co.**, Parkersburg, W. Va.

[57] **CLAIM**

[**] Term: **14 Years**

The ornamental design for a sleigh shovel with wheels, as shown and described.

[21] Appl. No.: **46,096**

DESCRIPTION

[22] Filed: **Nov. 7, 1995**

[52] U.S. Cl. **D8/10**

[58] Field of Search D8/10; D15/14, D15/18, 25; D34/24; 294/57, 59, 51; D12/6

FIG. 1 is a perspective view showing our new design for a sleigh shovel with wheels;
FIG. 2 is a right side elevational view thereof;
FIG. 3 is a left side elevational view thereof;
FIG. 4 is a front elevational view thereof;
FIG. 5 is a rear elevational view thereof;
FIG. 6 is an enlarged top plan view thereof; and,
FIG. 7 is an enlarged bottom view thereof.

[56] References Cited

U.S. PATENT DOCUMENTS

969,307	9/1910	Sumerlin	D8/10 X
1,766,691	6/1930	Rugg	D8/10 X
3,063,174	11/1962	Ludin	294/59 X

1 Claim, 3 Drawing Sheets

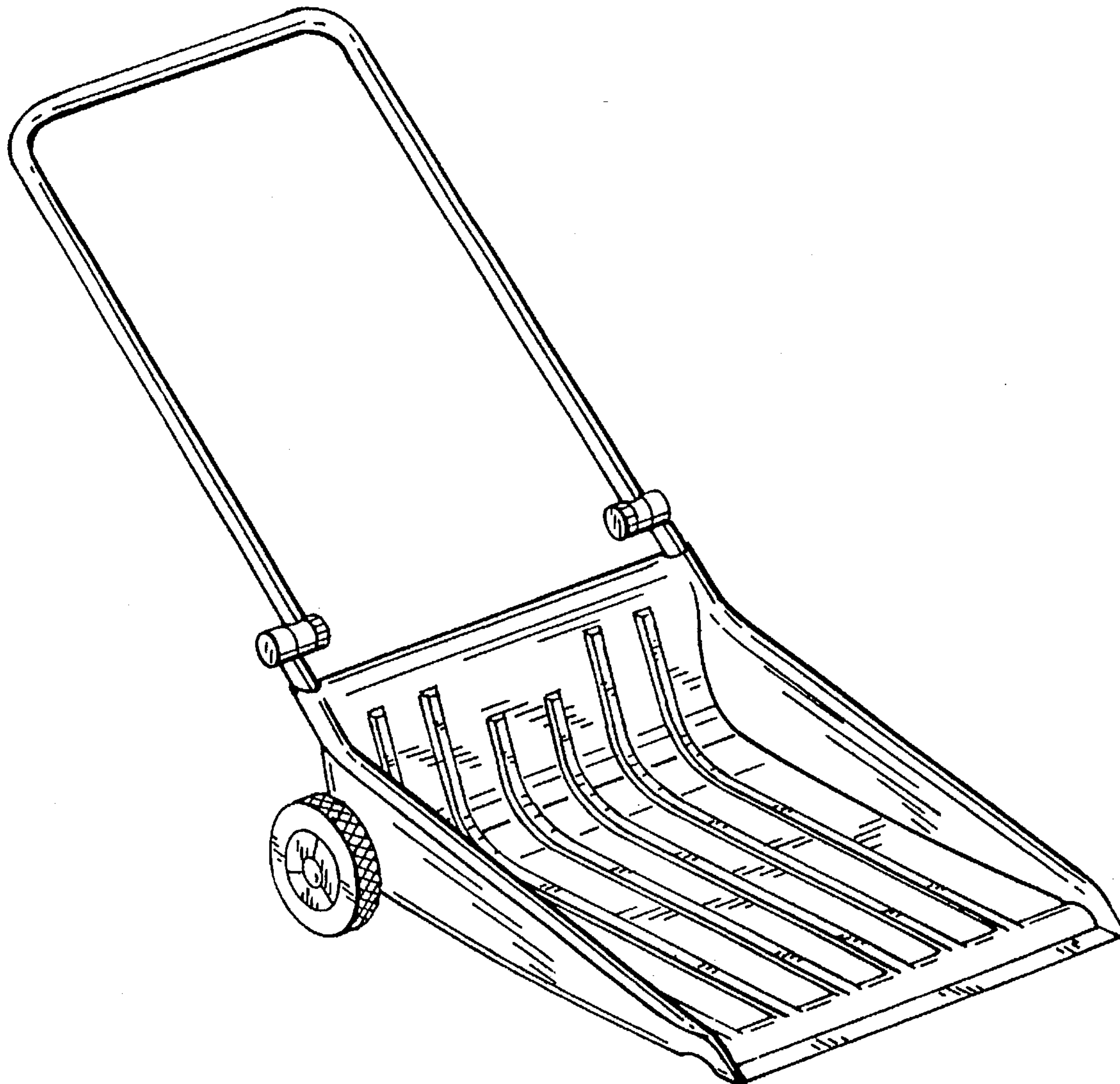


FIG. 1

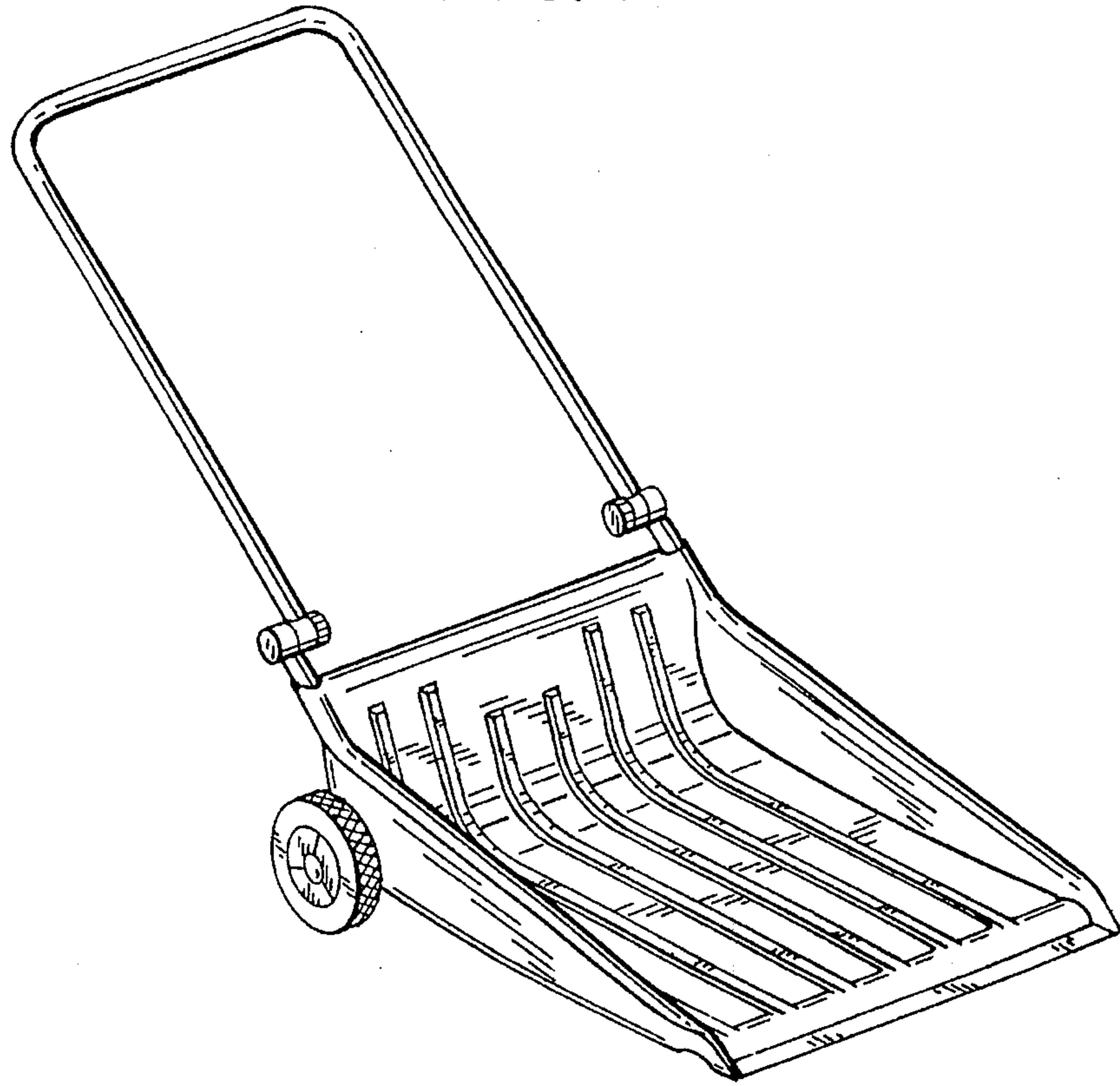


FIG. 2

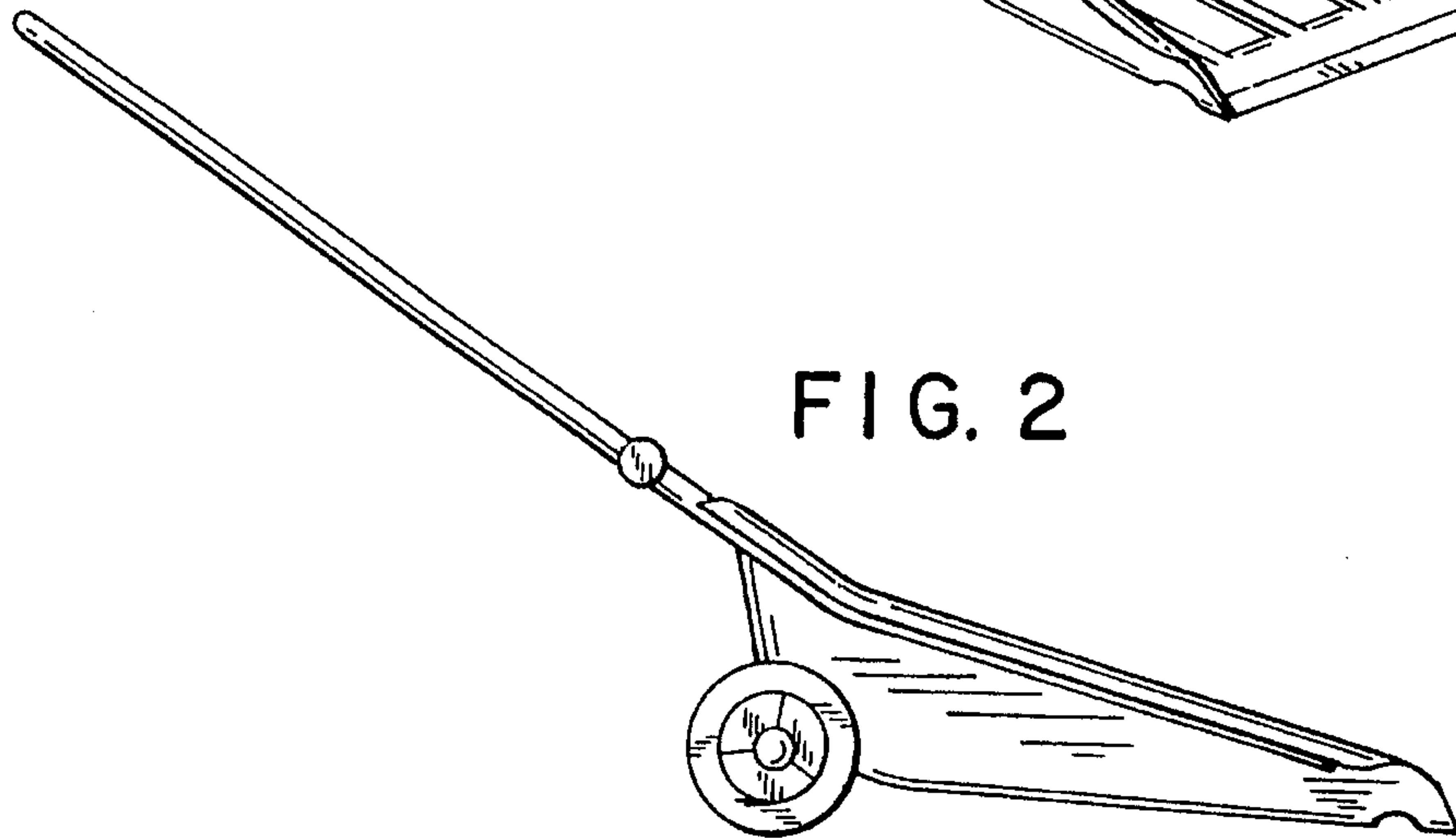


FIG. 3

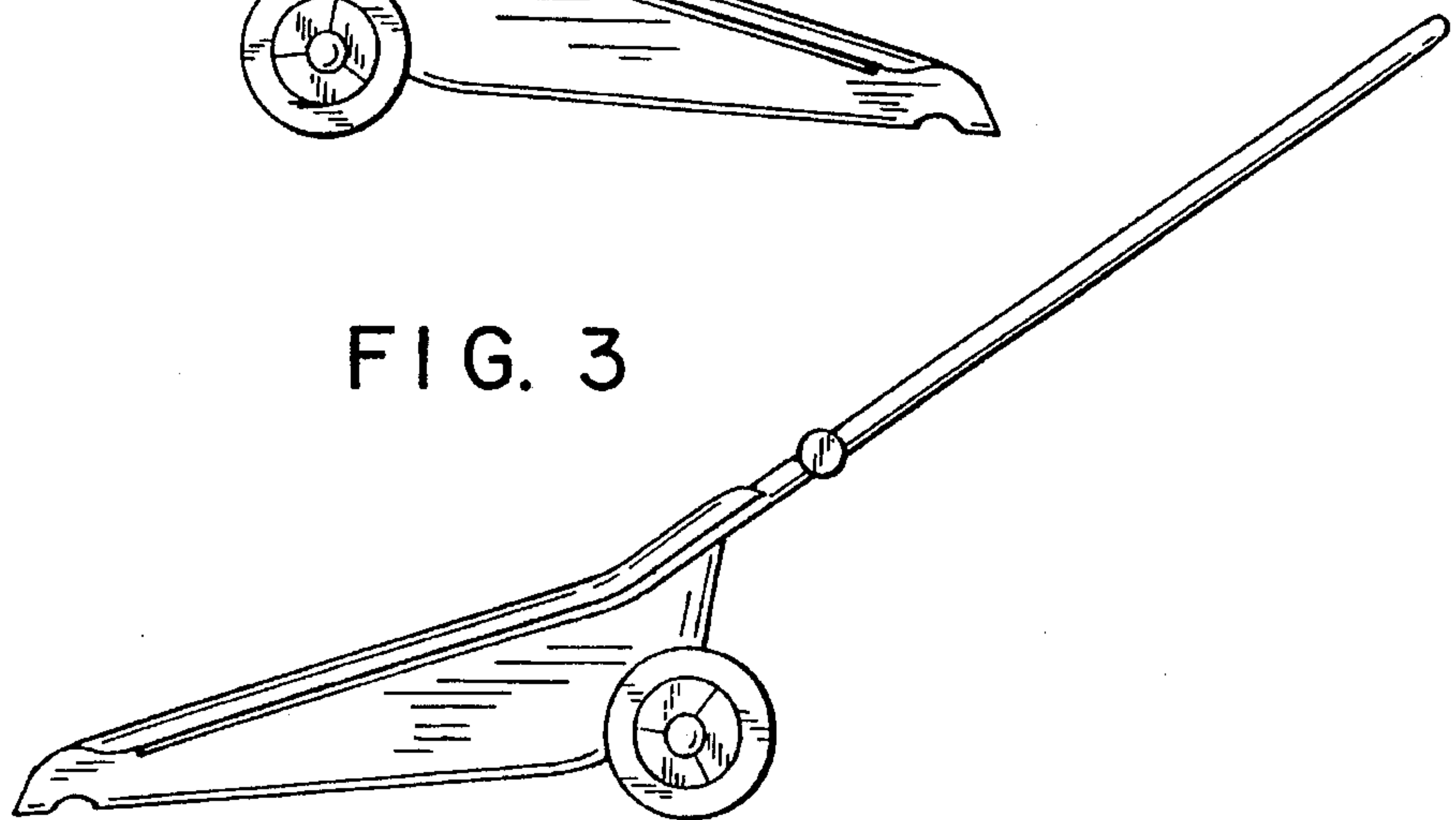


FIG. 4

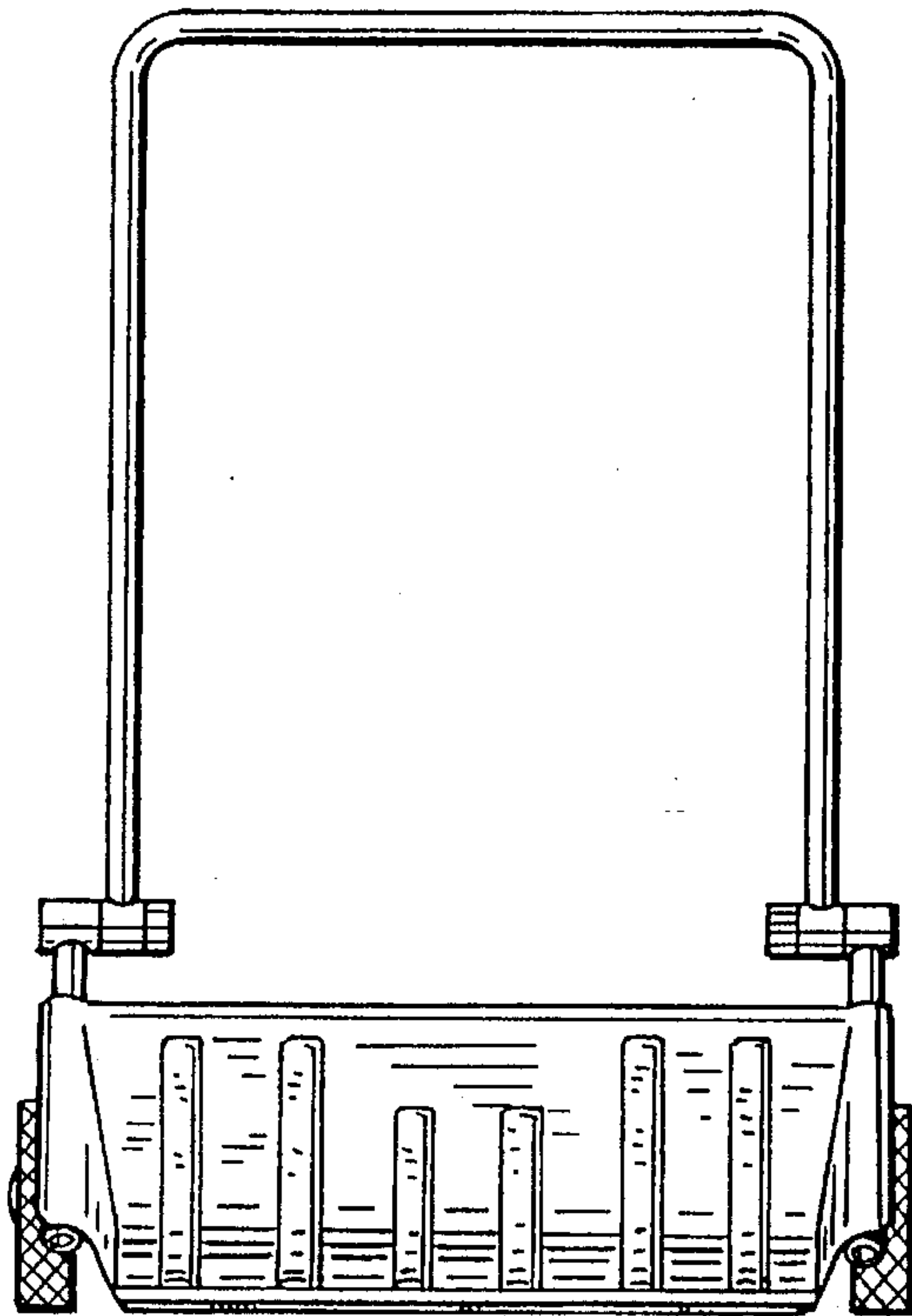


FIG. 5

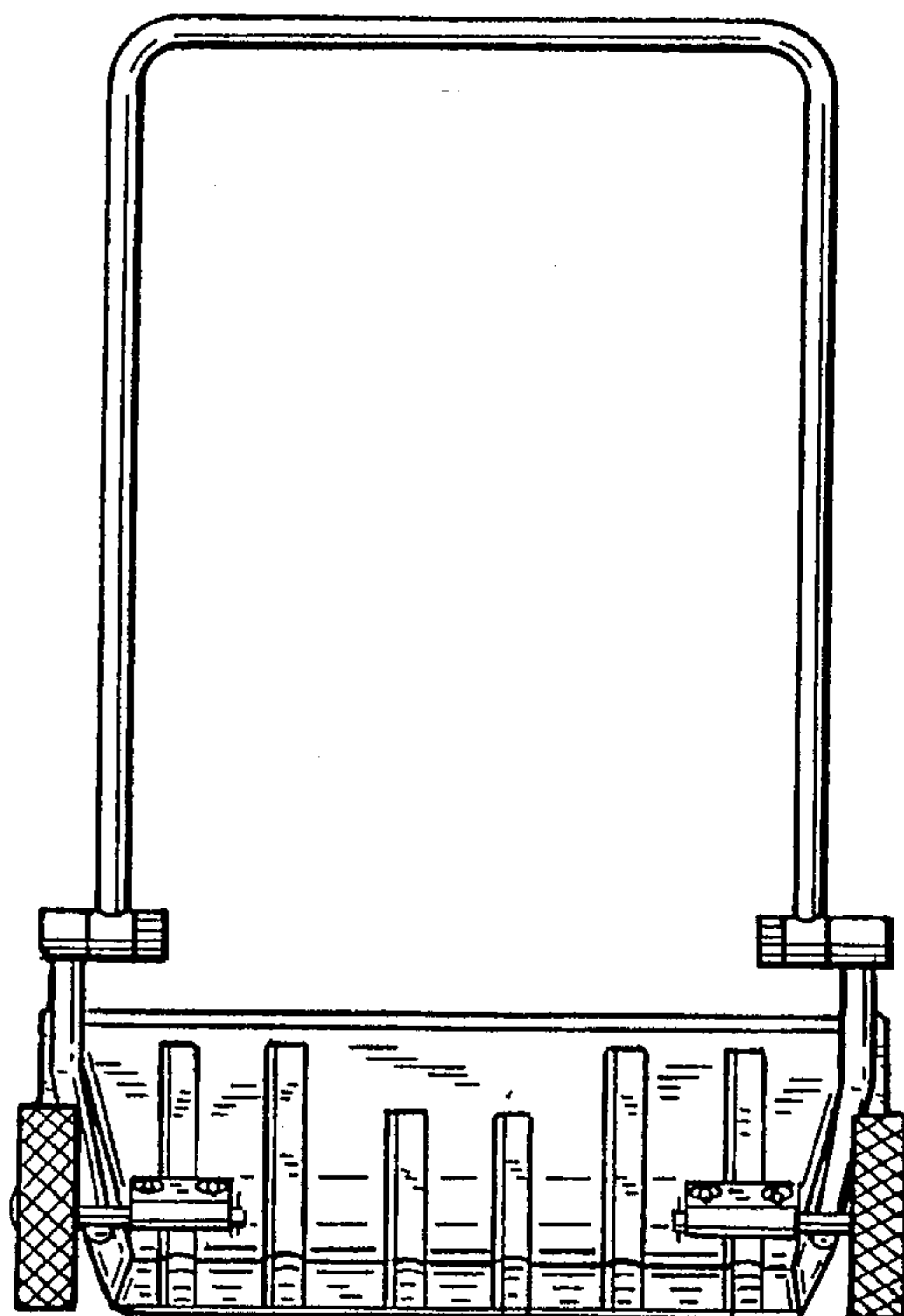


FIG. 7

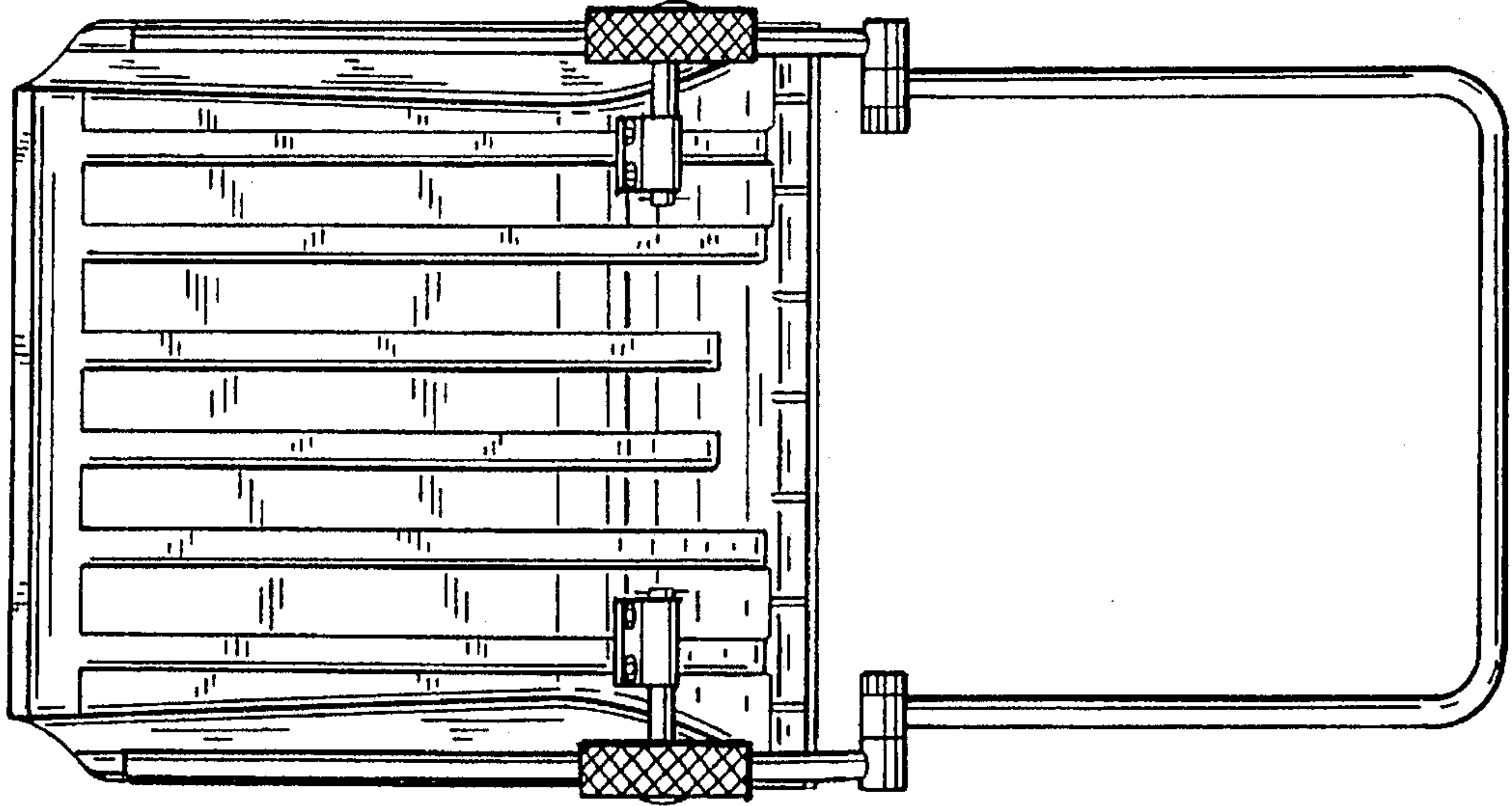


FIG. 6

