



US00D375233S

United States Patent [19]
Hirsch

[11] **Patent Number:** **Des. 375,233**
[45] **Date of Patent:** ****Nov. 5, 1996**

[54] **AUTOMATIC ESPRESSO TAMP**
[76] **Inventor:** **James A. Hirsch**, 3758 Brenner Dr.,
Santa Barbara, Calif. 93101
[**] **Term:** **14 Years**
[21] **Appl. No.:** **38,575**
[22] **Filed:** **May 5, 1995**
[52] **U.S. Cl.** **D7/682**
[58] **Field of Search** D7/682, 368; D8/14;
241/199; 294/1.1; 425/425, 469, 428, 424

D. 261,346 10/1981 Thornley D7/682
4,285,114 8/1981 Underdahl 294/1.1 X
4,848,815 7/1989 Molloy 294/1.1

Primary Examiner—Terry A. Wallace

[57] **CLAIM**

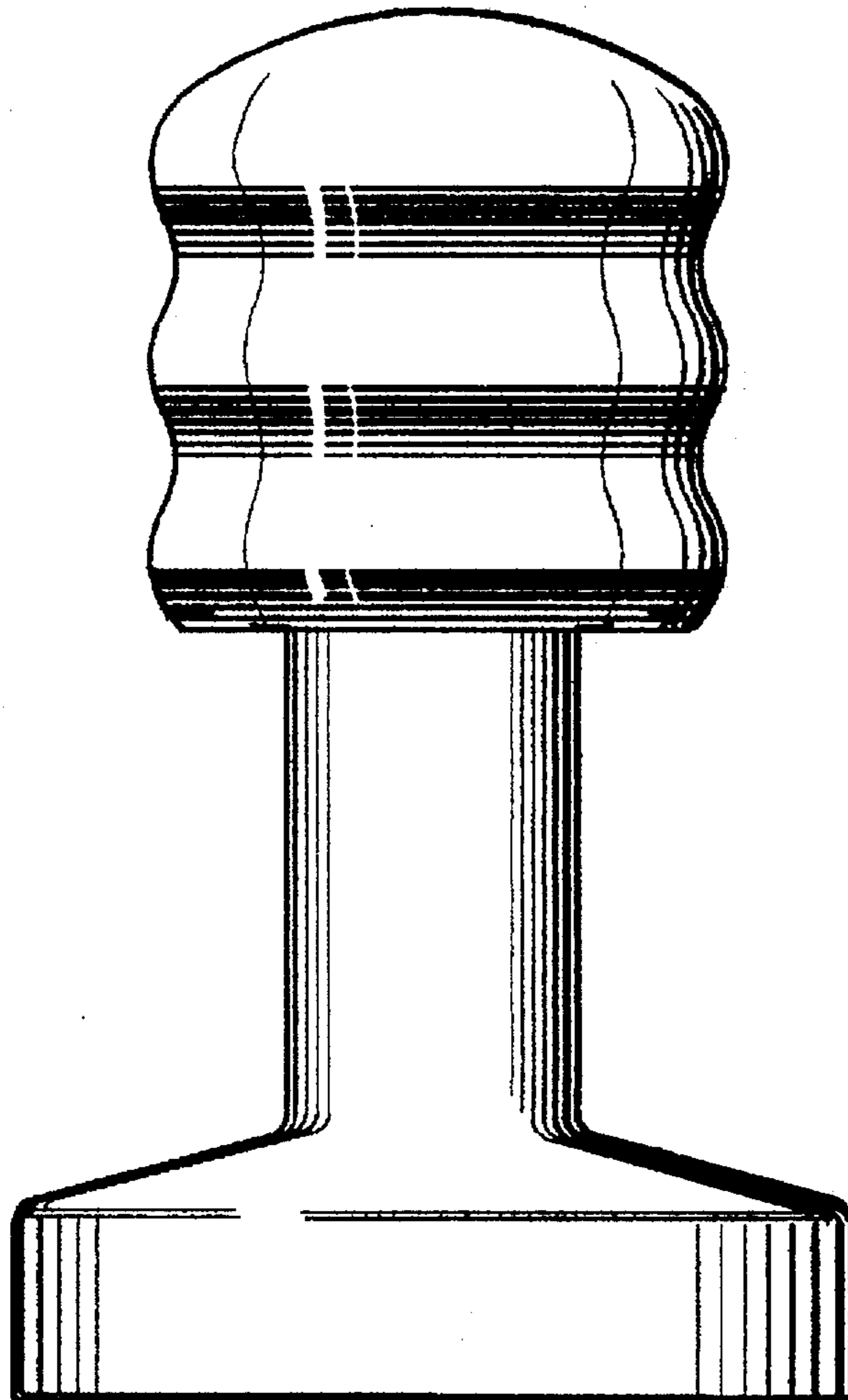
The ornamental design for an automatic espresso tamp, as shown and described.

DESCRIPTION

FIG. 1 is a top plan view of an automatic espresso tamp showing my new design;
FIG. 2 is a front elevation view thereof, the remaining sides being identical; and,
FIG. 3 is a bottom perspective view thereof.

[56] **References Cited**
U.S. PATENT DOCUMENTS
D. 87,918 10/1932 Haney D7/682

1 Claim, 1 Drawing Sheet



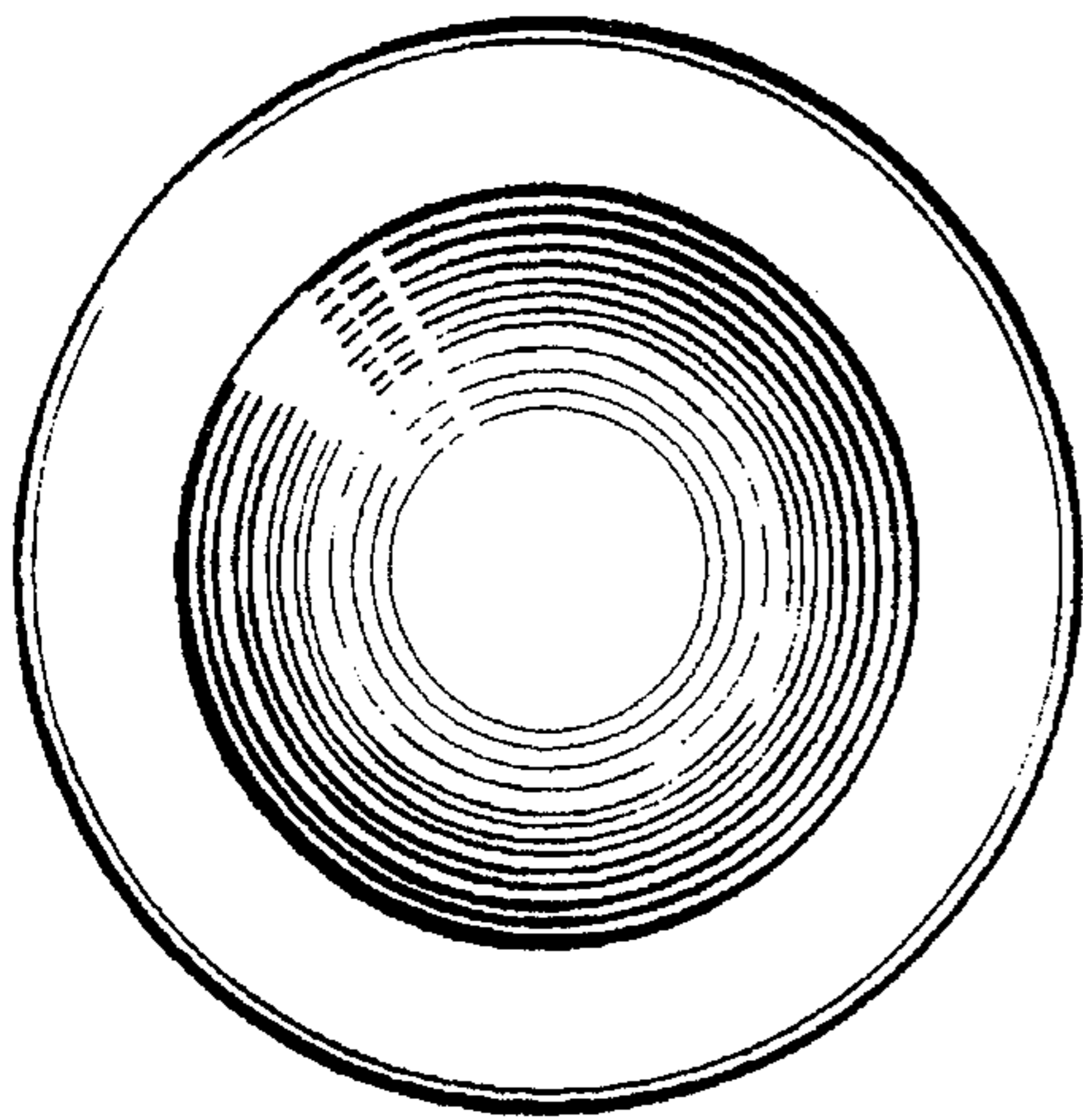


fig. 1

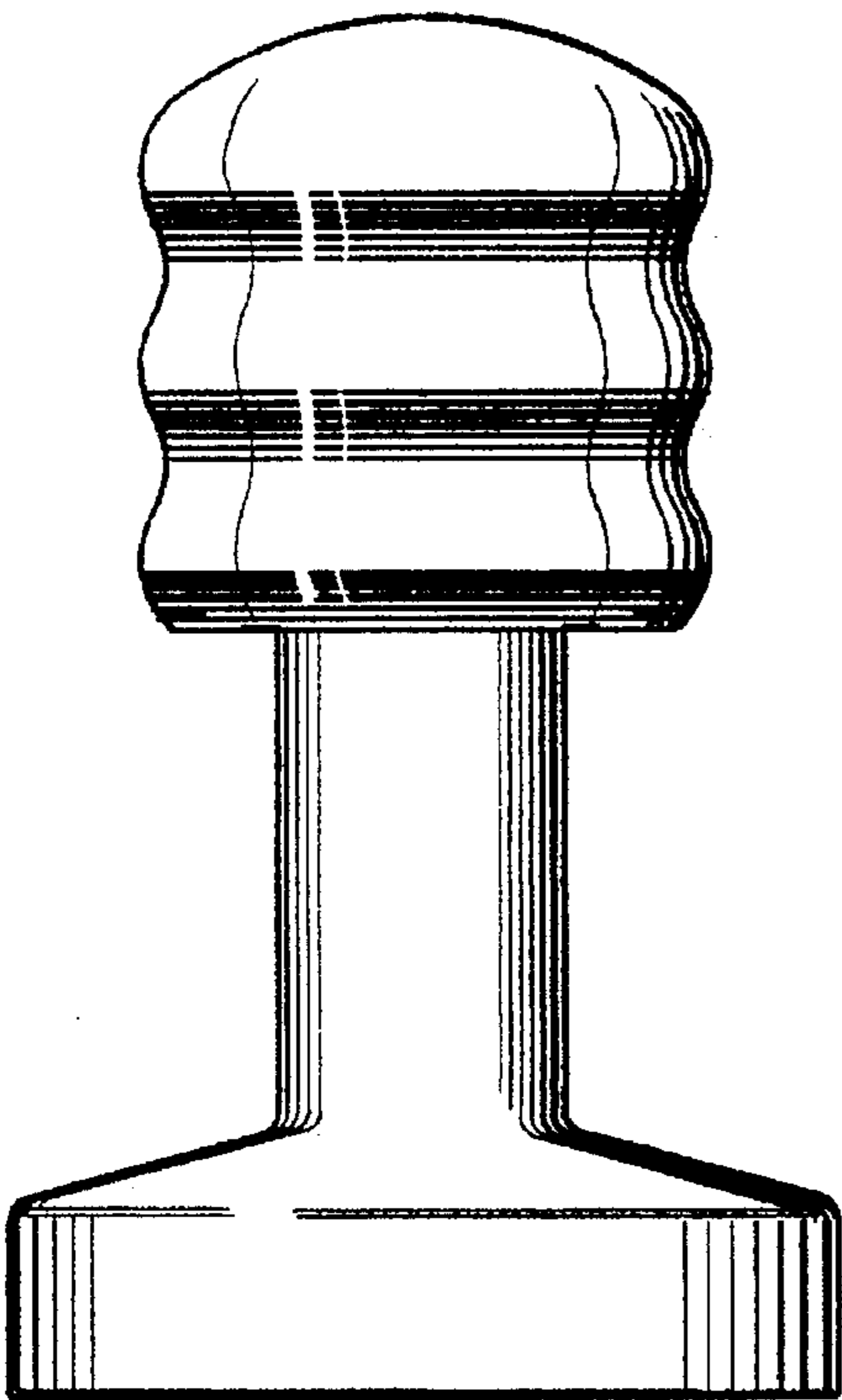


fig. 2

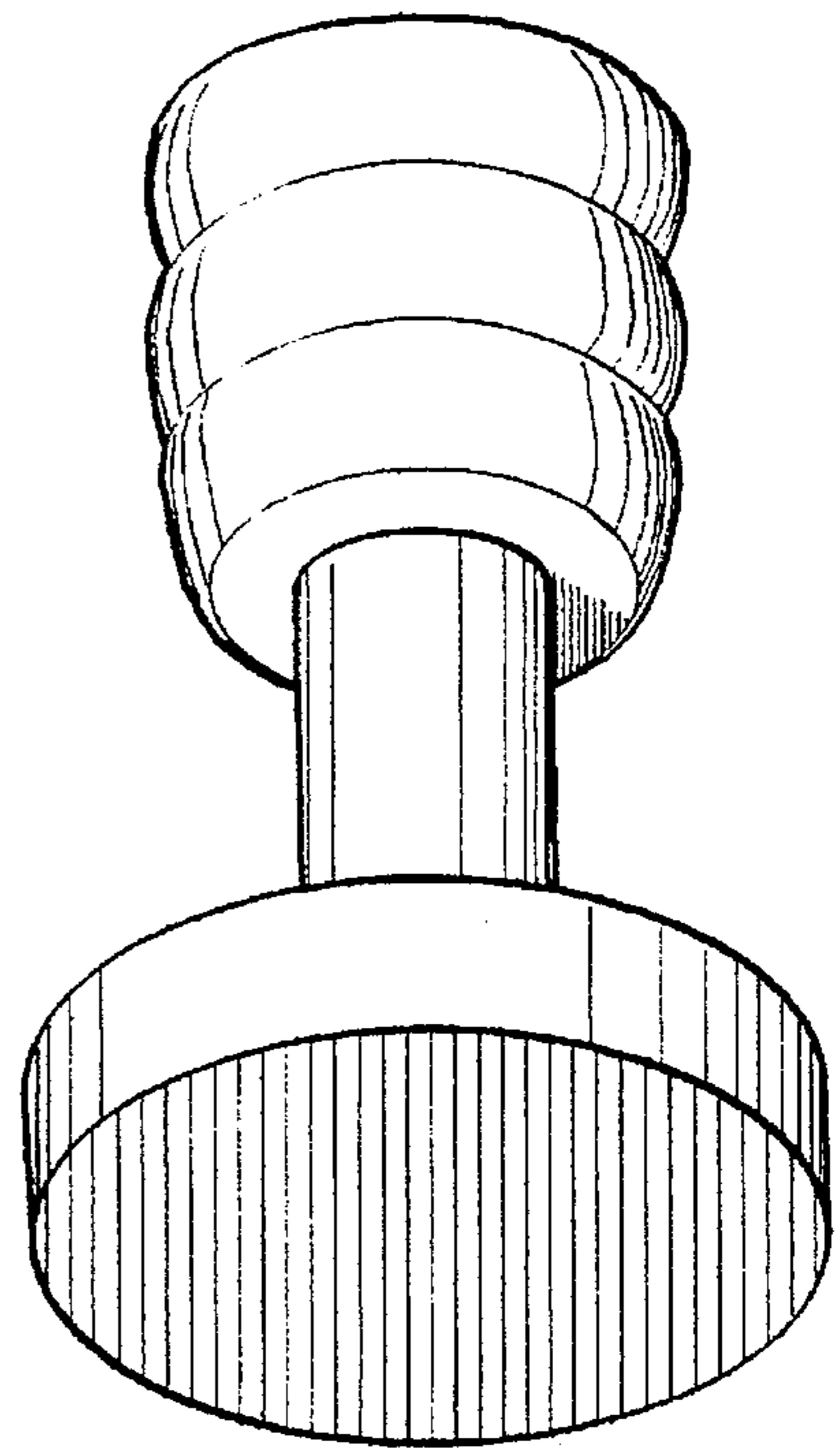


fig. 3