



US00D375228S

# United States Patent [19]

Rhodes

[11] Patent Number: **Des. 375,228**

[45] Date of Patent: **\*\*Nov. 5, 1996**

[54] **COMBINED SUGAR PACKET DISPENSER AND TRASH DISPOSAL UNIT**

[76] Inventor: **Barbara A. Rhodes**, 5928 Mossbank Dr., Palos Verdes, Calif. 90274

[\*\*] Term: **14 Years**

[21] Appl. No.: **20,327**

[22] Filed: **Mar. 24, 1994**

[52] U.S. Cl. .... **D7/590**

[58] Field of Search ..... D7/590, 601; D6/436, D6/440, 470-2, 476; 211/49.1, 59.4, 13; 220/910; D34/1, 5, 7, 8

[56] **References Cited**

**U.S. PATENT DOCUMENTS**

D. 141,237 5/1945 Gauvreau ..... D6/476 X

D. 283,860 5/1986 Cantolino ..... D6/476 X

*Primary Examiner*—Terry A. Wallace

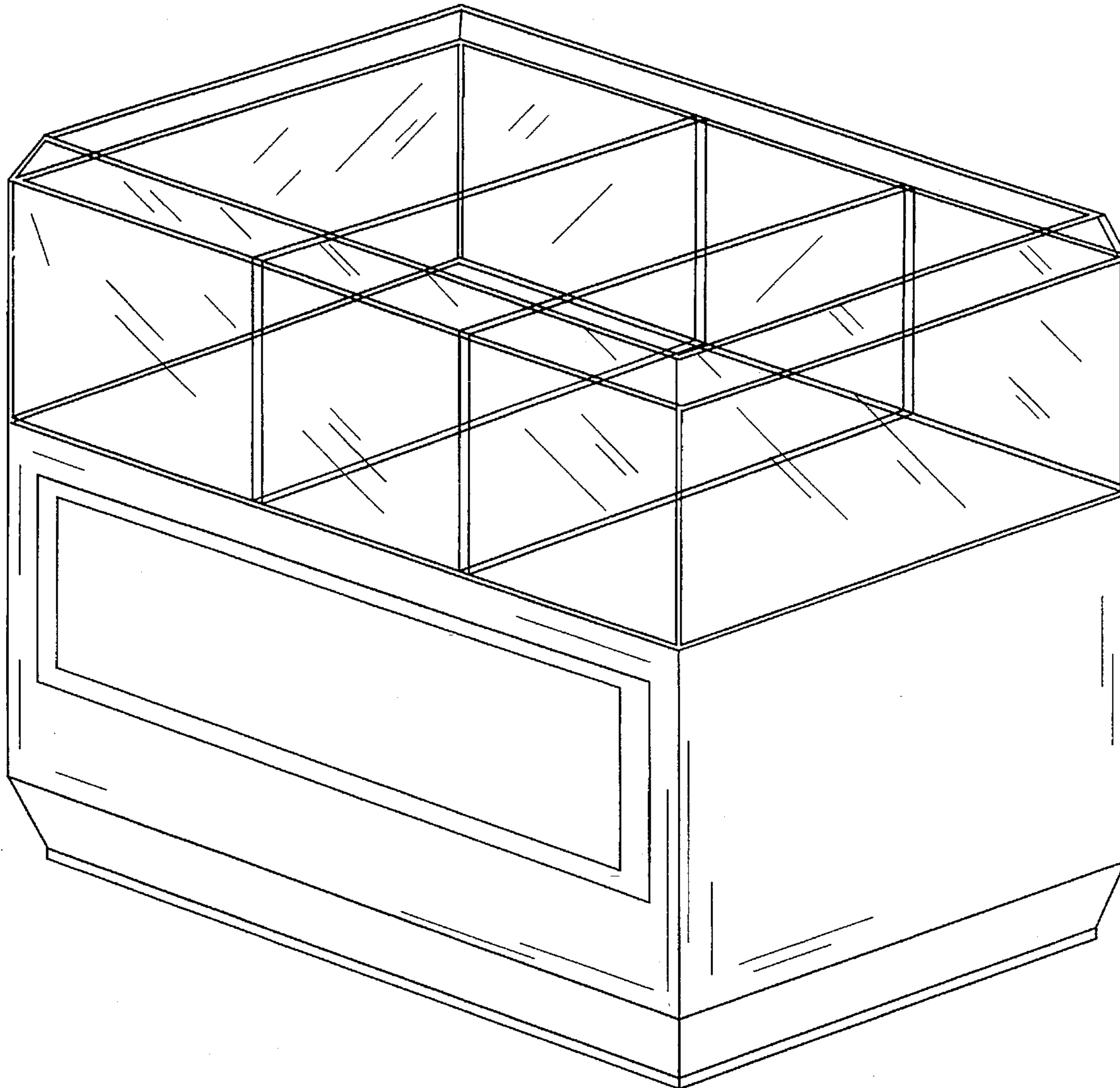
[57] **CLAIM**

The ornamental design for a combined sugar packet dispenser and trash disposal unit, as shown.

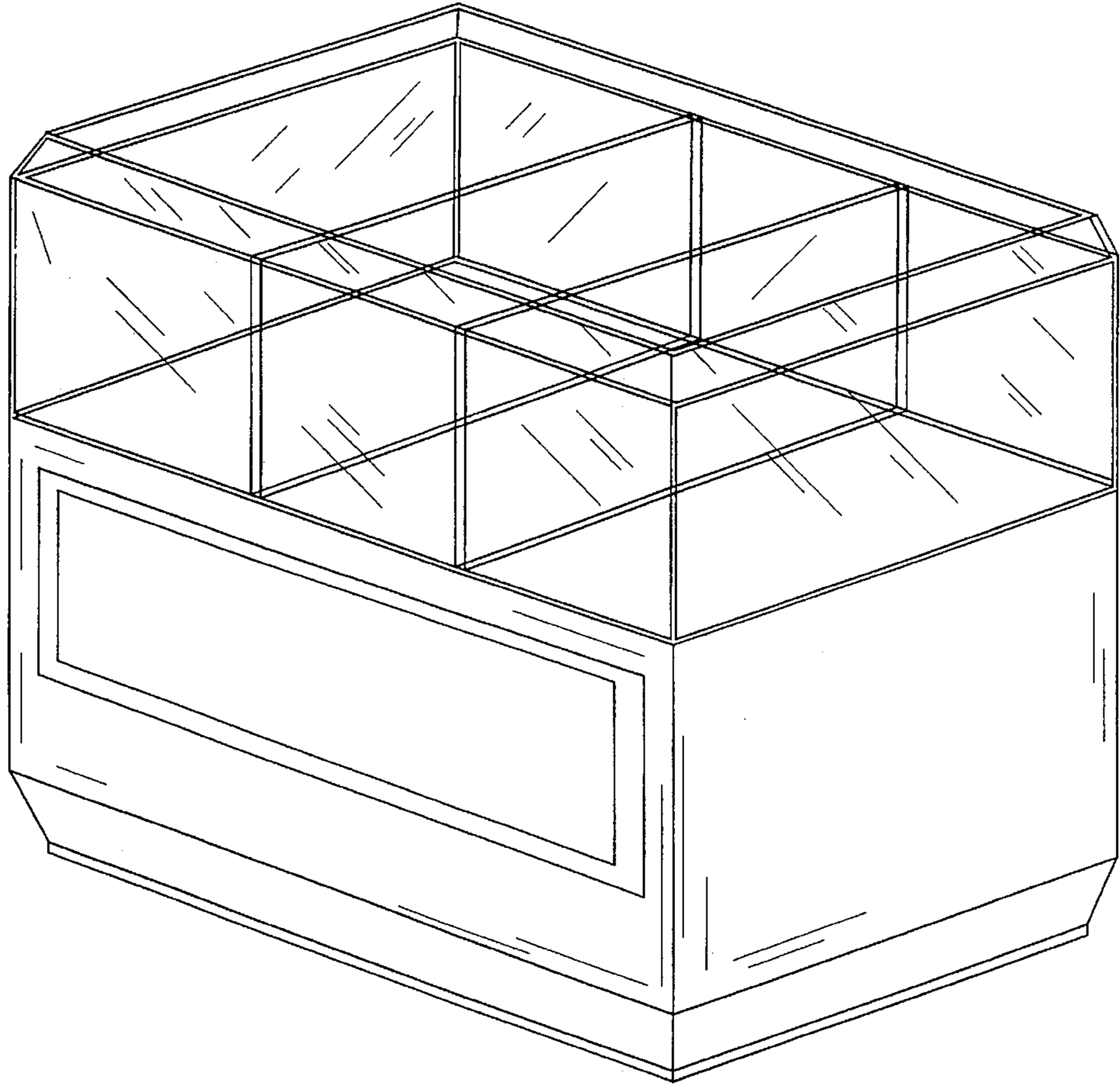
**DESCRIPTION**

FIG. 1 is a top, front, right side perspective view of a combined sugar packet dispenser and trash disposal unit showing my new design; FIG. 2 is a left side view thereof; FIG. 3 is a top plan view thereof; FIG. 4 is a front elevation view thereof; FIG. 5 is a rear elevation view thereof; and, FIG. 6 is a bottom plan view thereof.

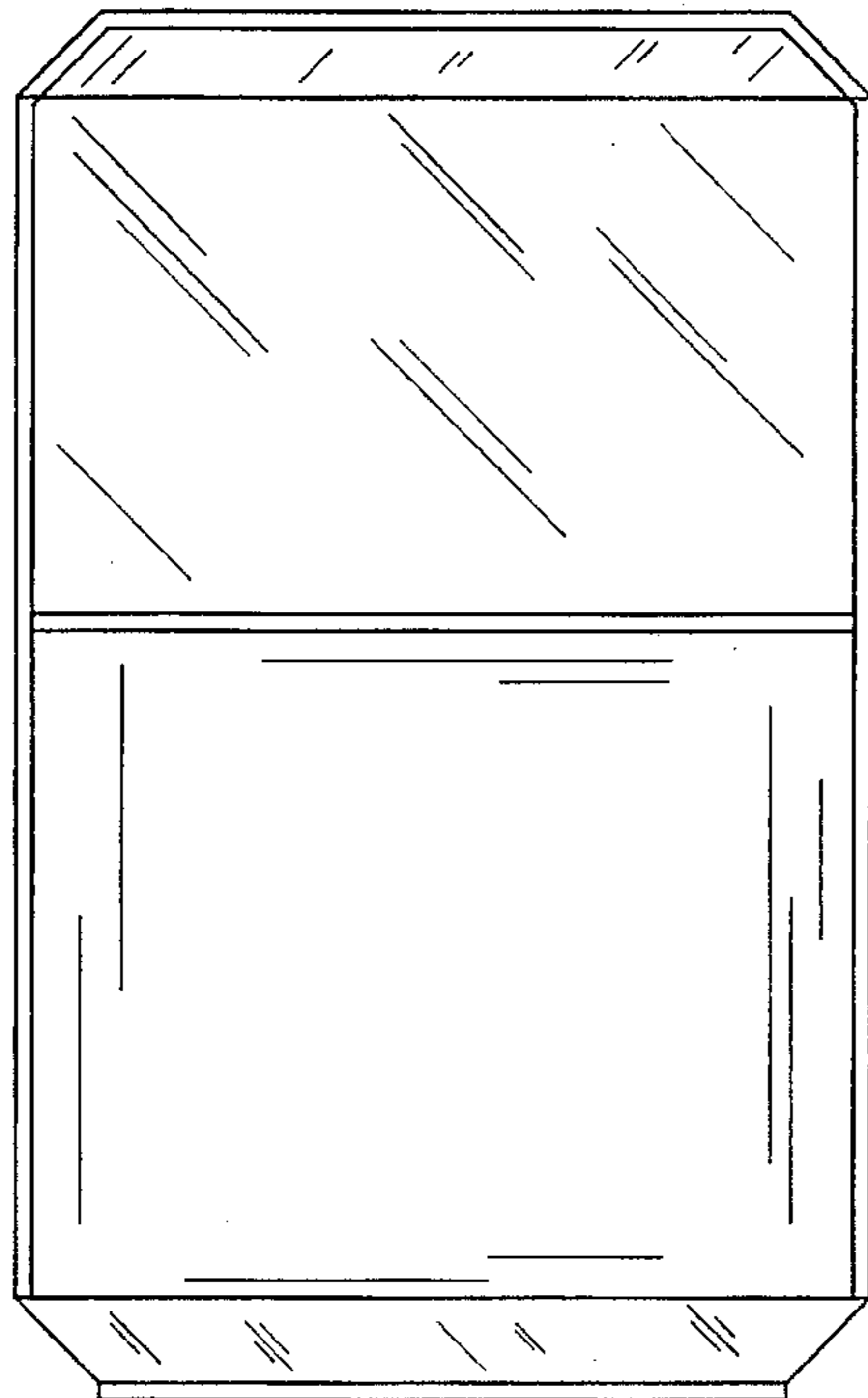
**1 Claim, 3 Drawing Sheets**



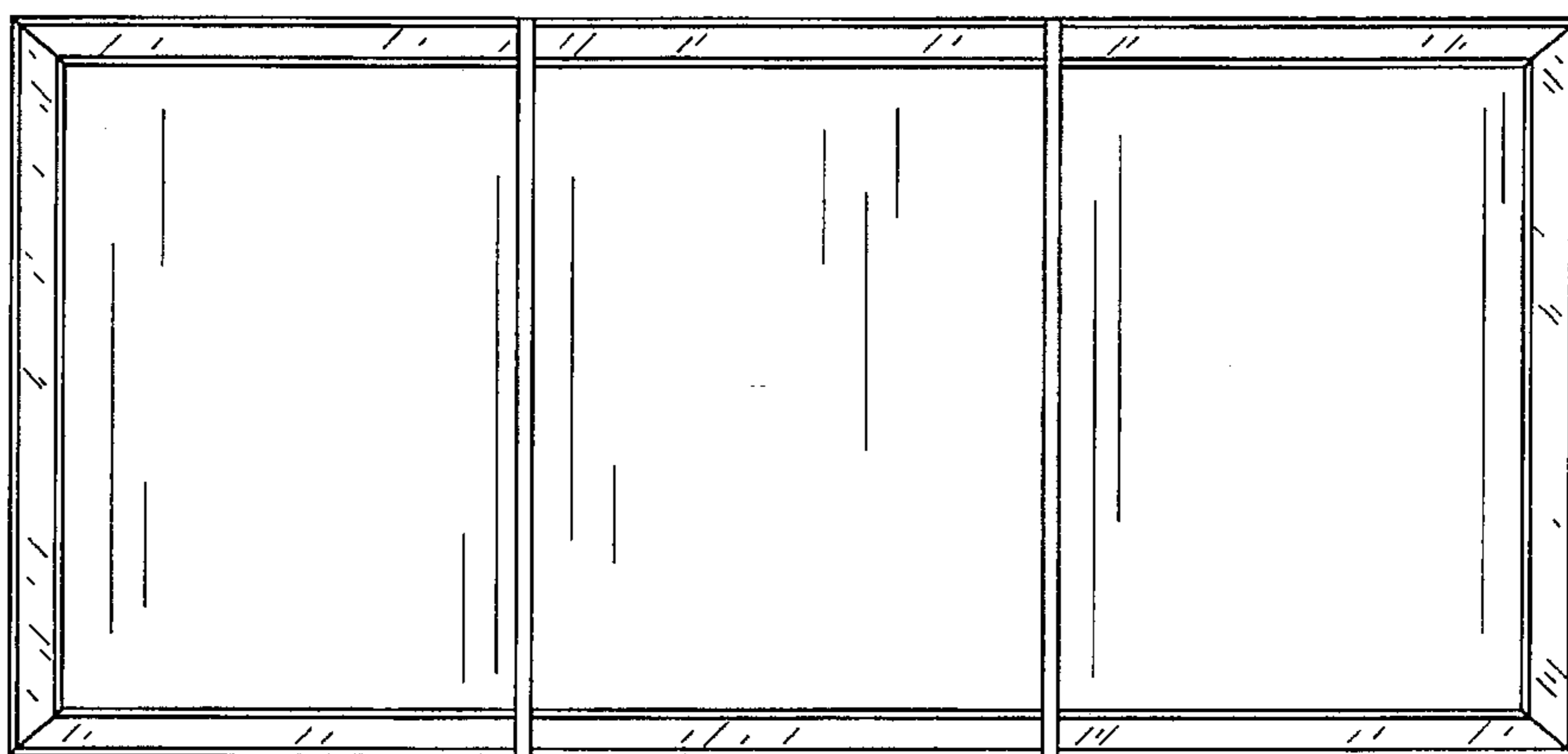
**FIG 1**



**FIG 2**



**FIG 3**



**FIG 4**

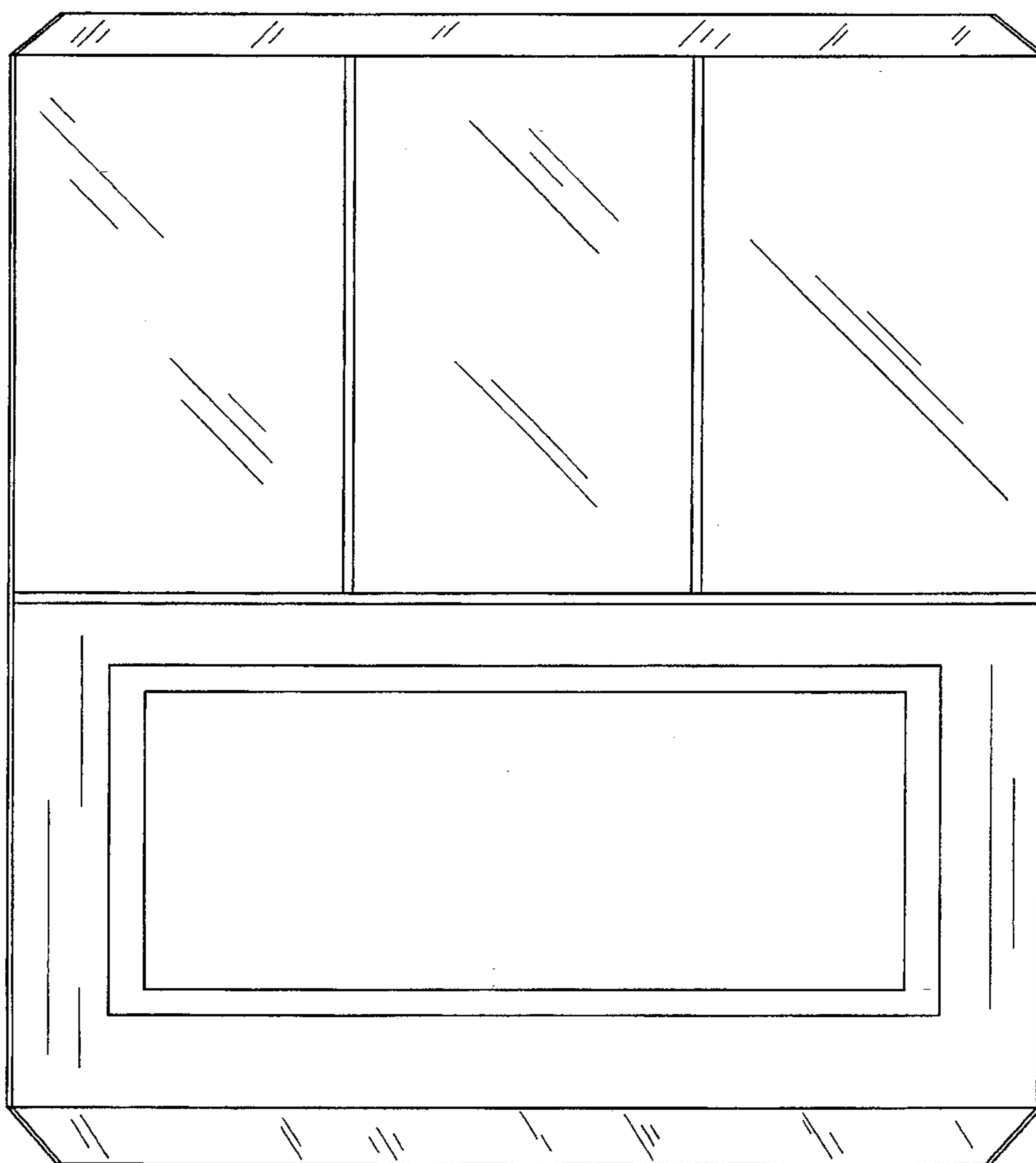


FIG 5

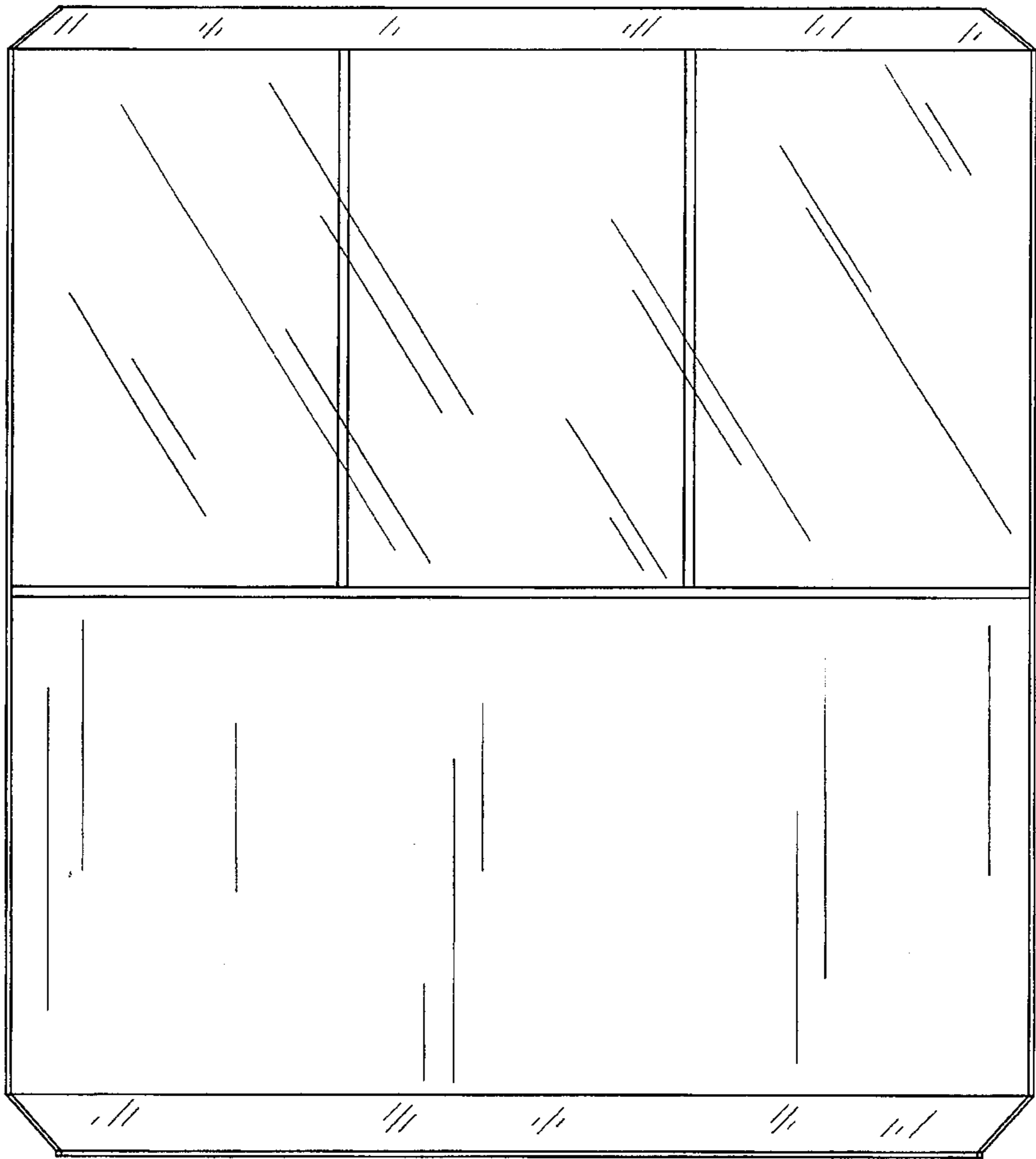


FIG 6

