



US00D375226S

United States Patent [19]

[11] - Patent Number: **Des. 375,226**

Blankenburg et al.

[45] **Date of Patent: **Nov. 5, 1996**

[54] **DRINK CONTAINER**

[76] Inventors: **Karl Blankenburg**, 32131 Claey's Dr., Warren, Mich. 48093; **Karl V. Blankenburg**, 61830 Lantern Cove, Washington, Mich. 48094

[**] Term: **14 Years**

[21] Appl. No.: **37,757**

[22] Filed: **Apr. 18, 1995**

[52] U.S. Cl. **D7/515; D7/533**

[58] Field of Search **D7/509, 510, 511, D7/514, 515, 517, 523, 559, 533, 536, 563, 564, 613, 623, 539, 307, 538; D27/106; D9/309, 307, 451, 545, 337; D21/205, 204; D24/198**

[56] **References Cited**

U.S. PATENT DOCUMENTS

- D. 37,298 1/1905 Maddock .
- D. 166,458 4/1952 Edwards D11/152 X
- D. 187,501 3/1960 Hagenes .
- D. 196,375 9/1963 Fradette .
- D. 239,588 4/1976 Krieger .
- D. 249,438 9/1978 Meier et al. D7/515 X
- D. 249,918 10/1978 Block et al. .
- D. 253,988 1/1980 Eagar .
- D. 267,854 2/1983 Witt, Jr. .
- D. 271,173 11/1983 Keshishian .
- D. 271,663 12/1983 Stark et al. .
- D. 283,009 3/1986 Jennette .
- D. 283,980 5/1986 Haswell .
- D. 287,766 1/1987 Simmons .
- D. 287,767 1/1987 Simmons .
- D. 290,539 6/1987 Jennette .
- D. 292,462 10/1987 Petrsek .
- D. 292,463 10/1987 Petrsek .
- D. 292,991 12/1987 Adler D9/307 X
- D. 297,389 8/1988 Demaree .
- D. 301,003 5/1989 Burns .
- D. 304,075 10/1993 Turner D9/307 X
- D. 304,262 10/1989 Mayes .
- D. 310,137 8/1990 Mays .
- D. 312,942 12/1990 Huang .
- D. 323,602 2/1992 Katz .
- D. 324,975 3/1992 Miller .

- D. 329,539 9/1992 Klien et al. .
- D. 330,284 10/1992 Klien et al. .
- D. 340,074 10/1993 Turner .
- D. 342,900 1/1994 Khemlani .
- D. 354,417 1/1995 Rigsby D7/514 X
- D. 360,108 7/1995 Blankenburg et al. D7/515
- D. 360,109 7/1995 Blankenburg et al. D7/514 X
- 3,624,939 12/1971 Gossard .
- 4,164,284 8/1979 Witt et al. .
- 4,339,062 7/1982 Witt, Jr. .
- 4,654,274 3/1987 DeMars .
- 4,791,030 12/1988 DeMars .

OTHER PUBLICATIONS

- Taylor Gifts, 1986, p. 92.
- Tableware International, Nov. 1986, p. 52.
- Baseball Jewelry Box, Spencer Gifts, ©1973, insert between pp. 48-49.
- Baseball Mug, Magazine Section From Family Weekly, "Wash Star-Weekly", Dec. 29, 1974.
- Bowling Mug, Time Magazine Cable Advertisement Aug. 24, 1992.

Primary Examiner—Nelson C. Holtje
Assistant Examiner—M. N. Pandozzi
Attorney, Agent, or Firm—Young & Basile, P.C.

[57] **CLAIM**

The ornamental design for a drink container, as shown and described.

DESCRIPTION

FIG. 1 is a front elevational view of a first embodiment of a drink container showing our new design, the rear view being identical in appearance;
 FIG. 2 is a left side elevational view thereof;
 FIG. 3 is a right side elevational view thereof;
 FIG. 4 is a top plan view thereof;
 FIG. 5 is a bottom plan view thereof;
 FIG. 6 is a front elevational view of a second embodiment of a drink container showing our new design, the rear view being identical in appearance;
 FIG. 7 is a left side elevational view thereof;
 FIG. 8 is a right side elevational view thereof;
 FIG. 9 is a top plan view thereof;
 FIG. 10 is a bottom plan view thereof;

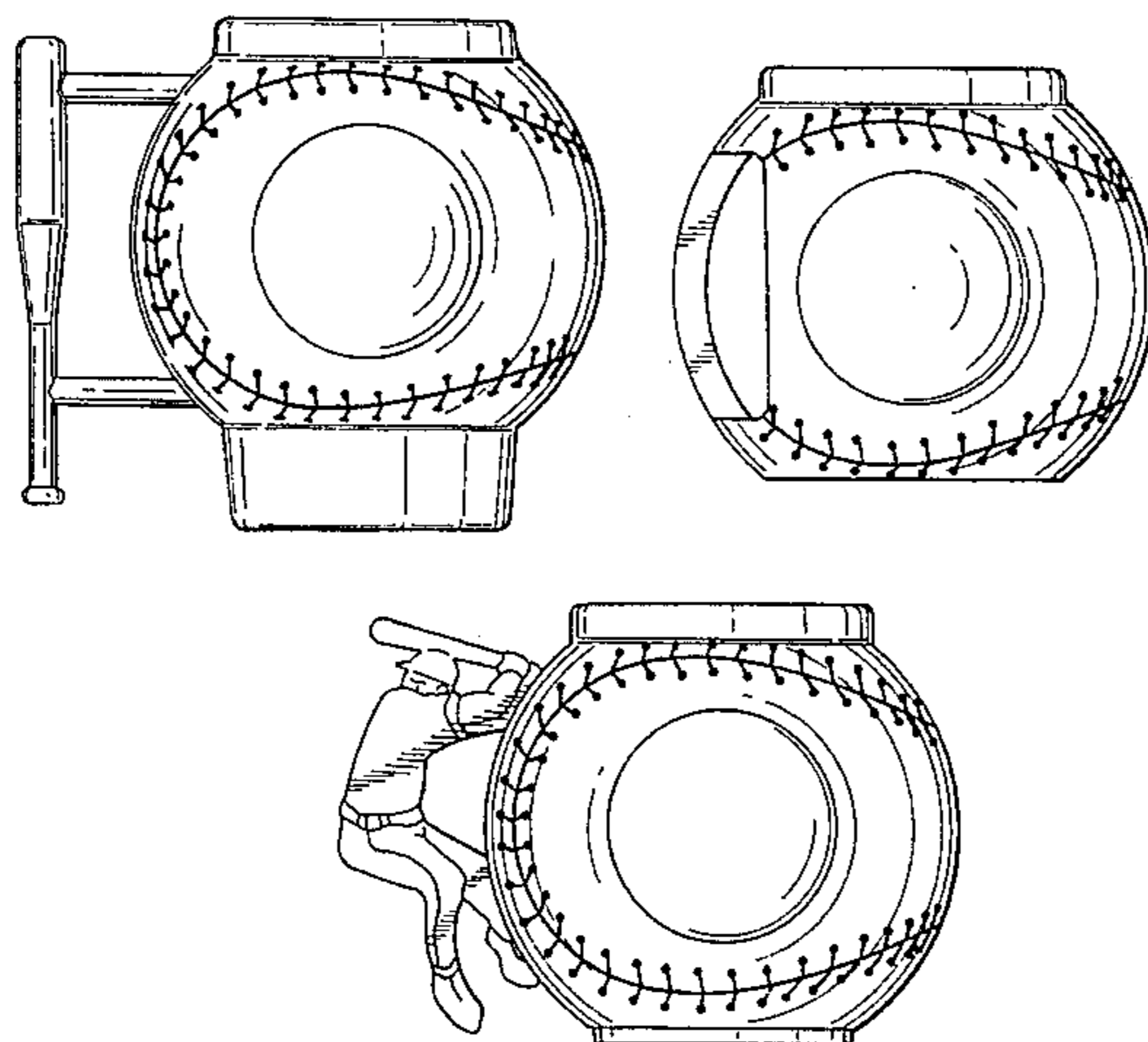


FIG. 11 is a front elevational view of a third embodiment of a drink container showing our new design, the rear view being identical in appearance;

FIG. 12 is a left side elevational view thereof;

FIG. 13 is a right side elevational view thereof;

FIG. 14 is a top plan view thereof;

FIG. 15 is a bottom plan view thereof;

FIG. 16 is a front elevational view of a fourth embodiment of a drink container showing our new design, the rear view being identical in appearance;

FIG. 17 is a left side elevational view thereof;

FIG. 18 is a right side elevational view thereof;

FIG. 19 is a top plan view thereof; and,

FIG. 20 is a bottom plan view thereof.

1 Claim, 4 Drawing Sheets

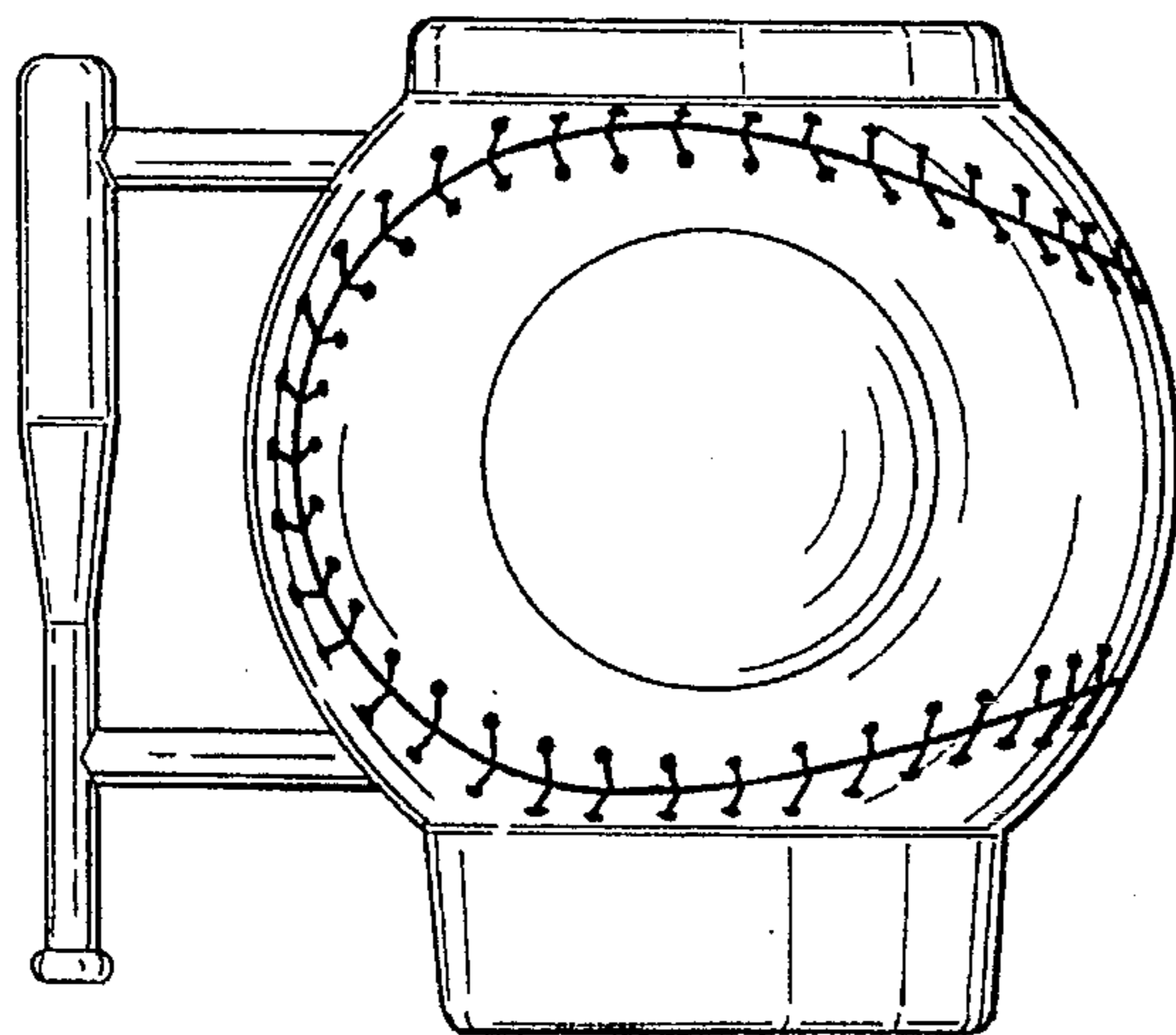


FIG-1

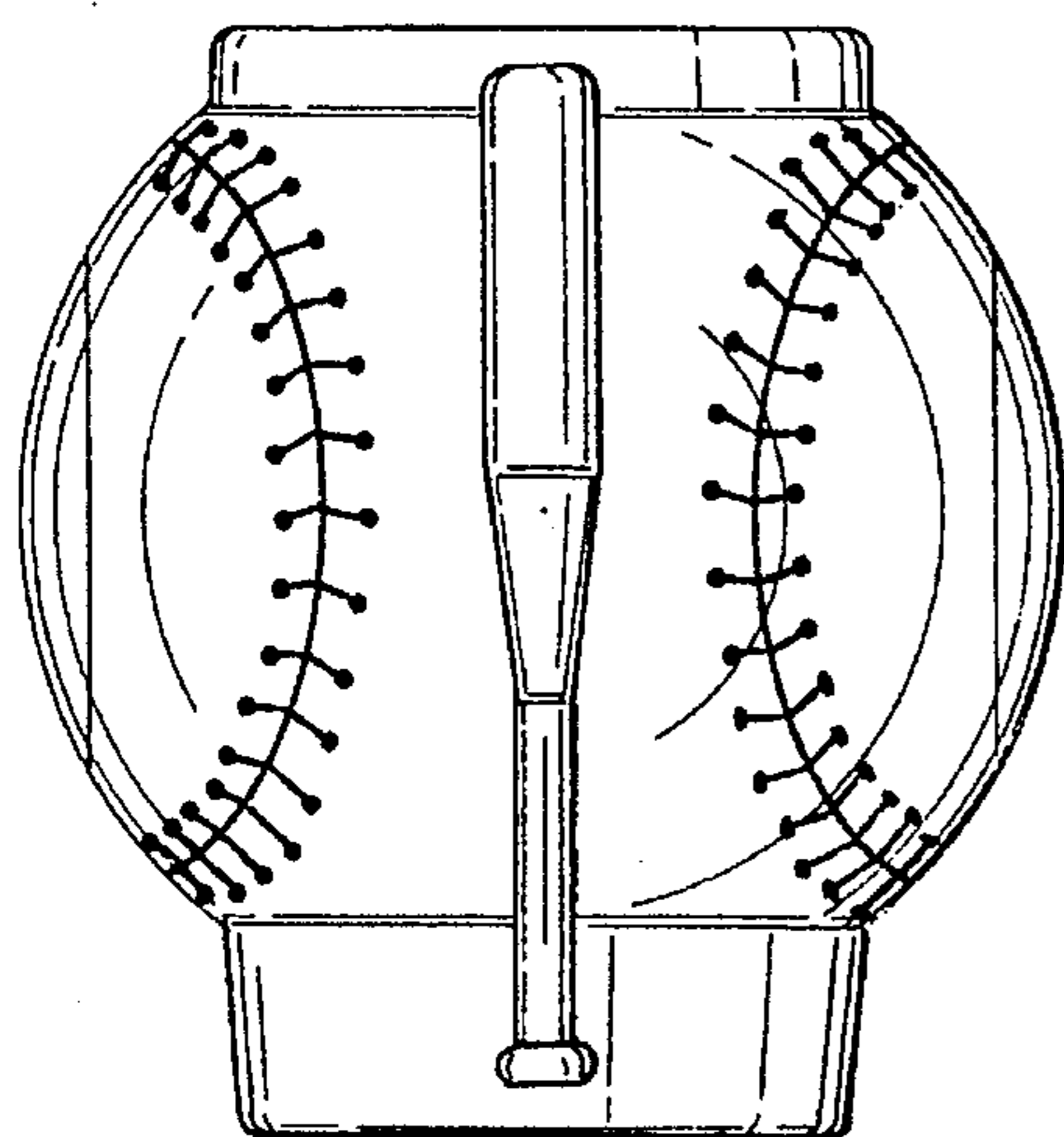


FIG-2

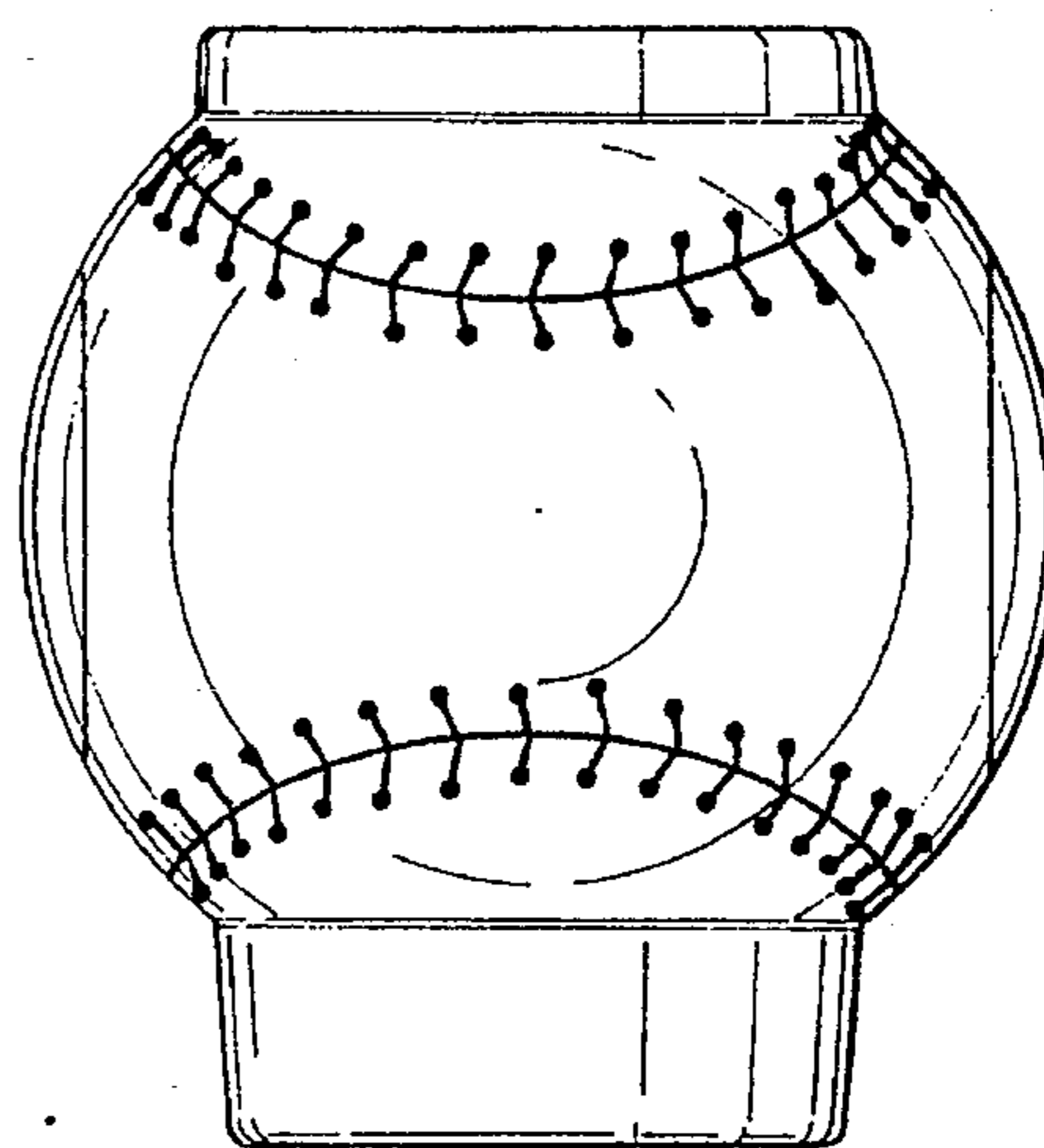


FIG-3

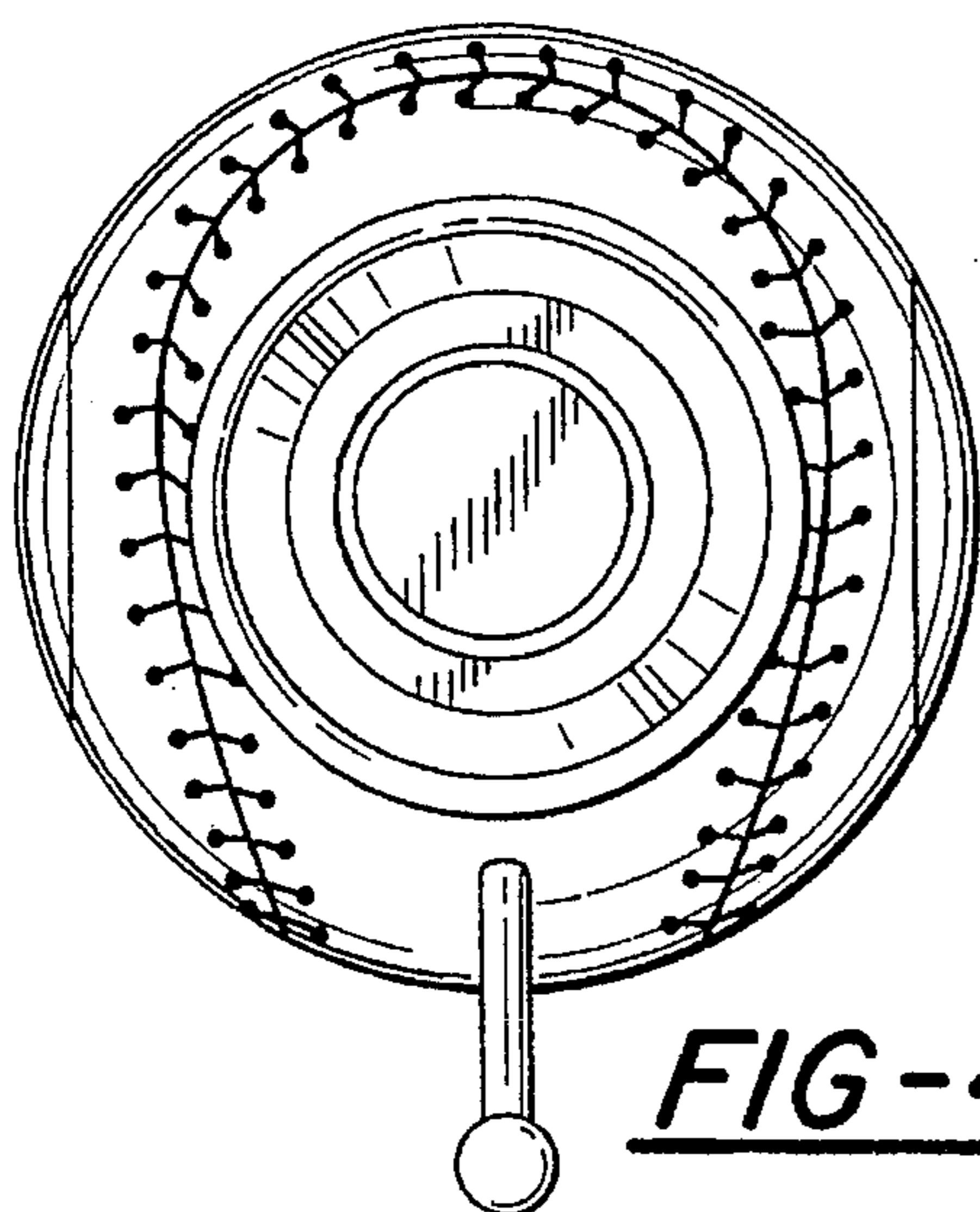


FIG-4

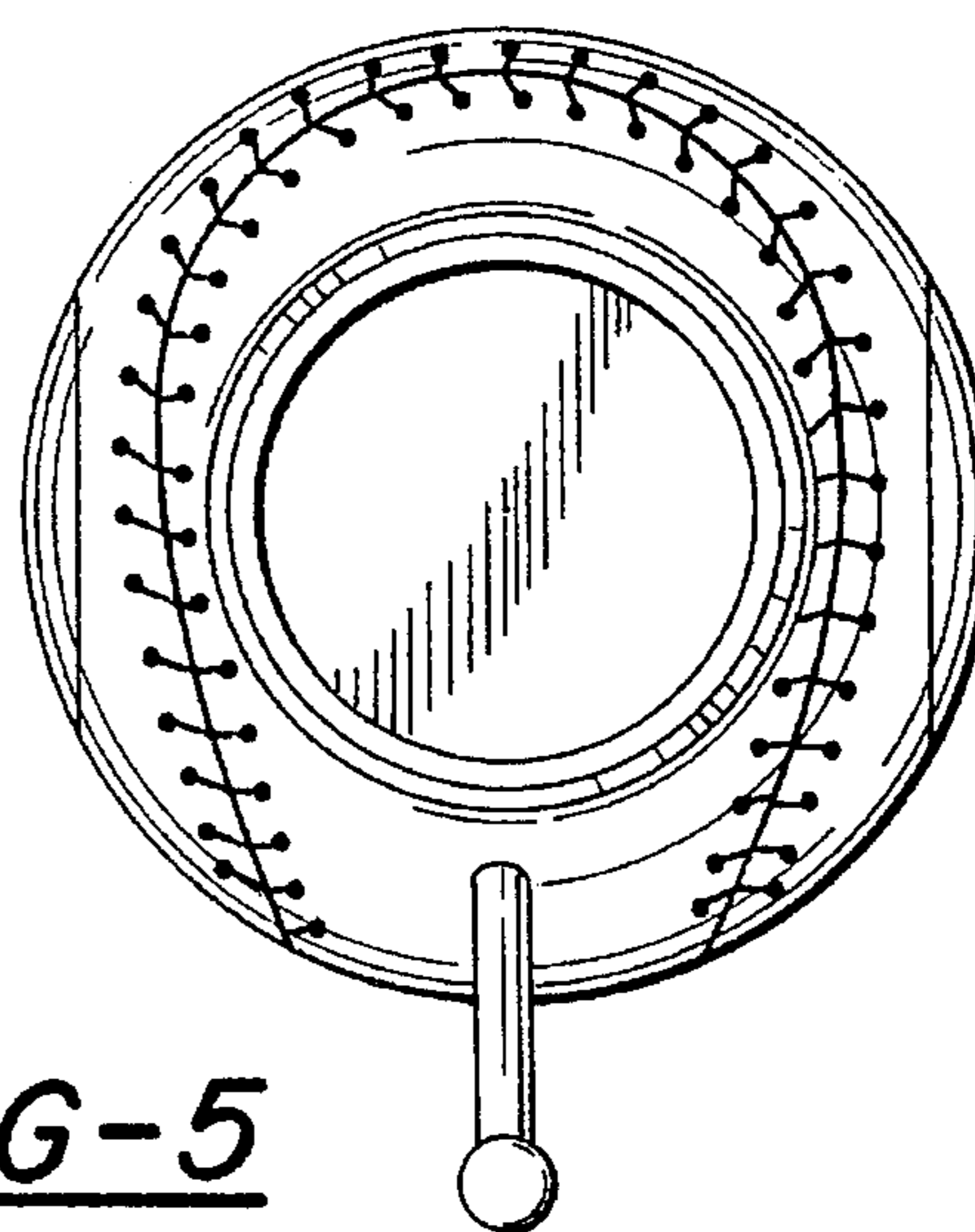


FIG-5

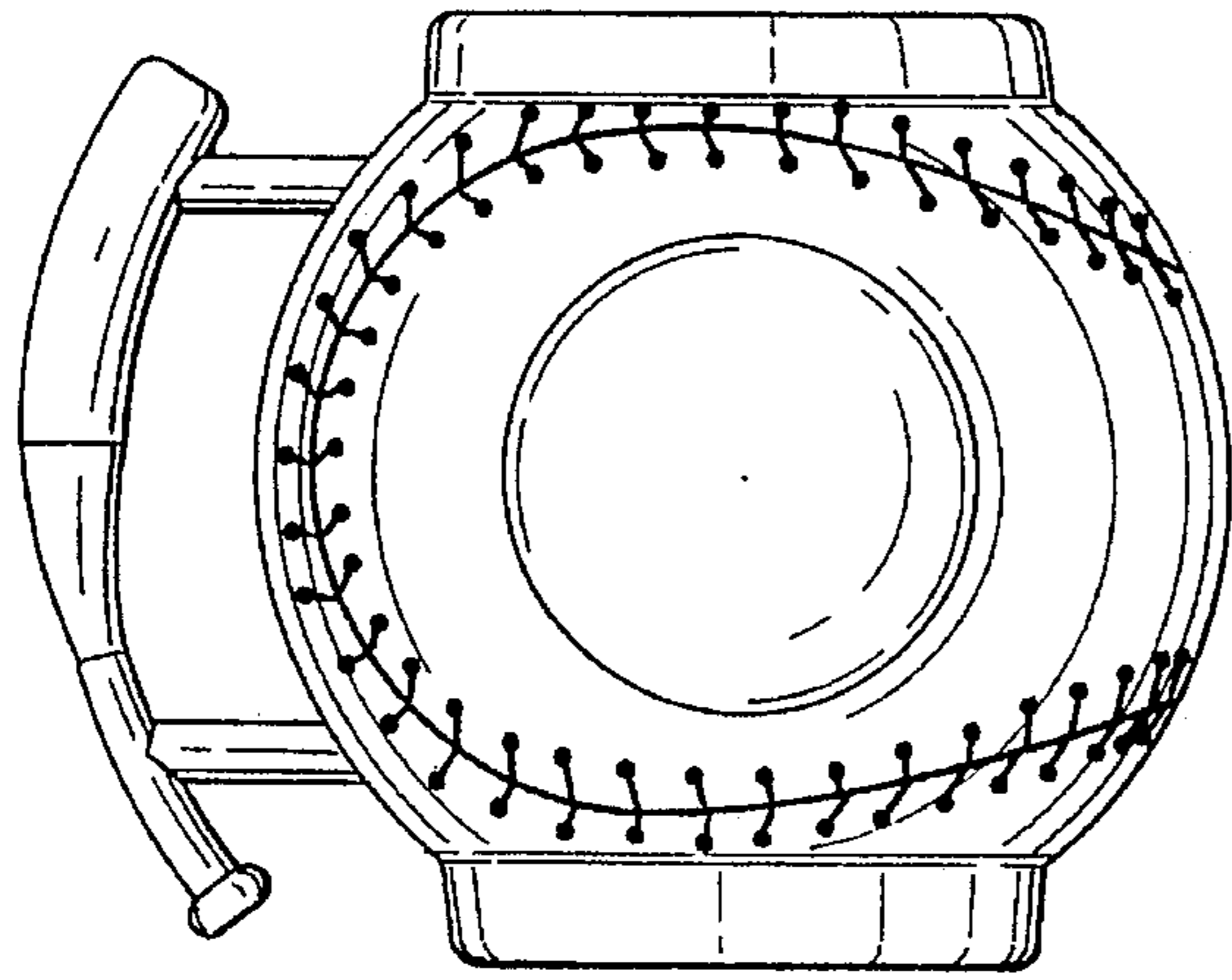


FIG-6

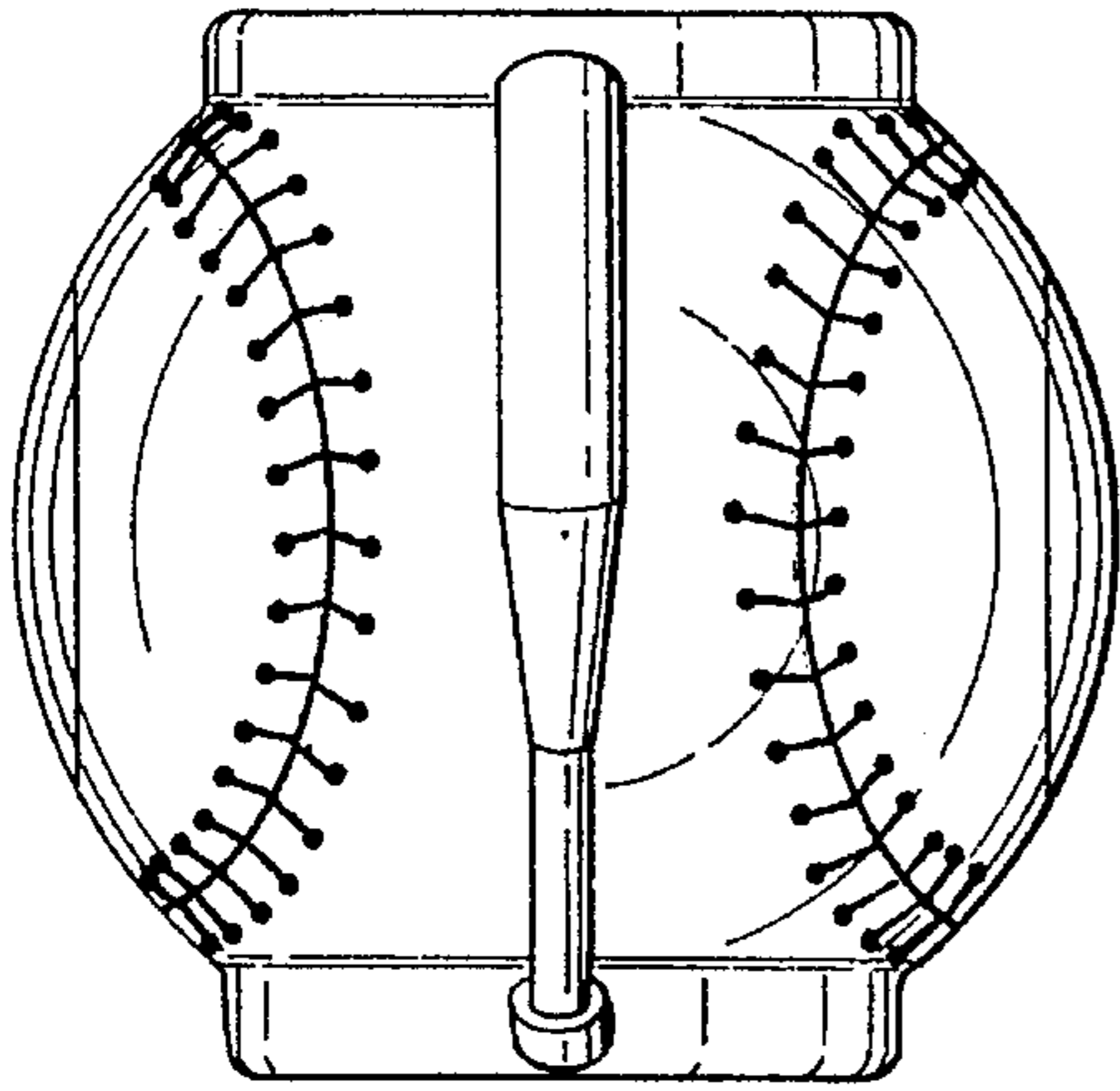


FIG-7

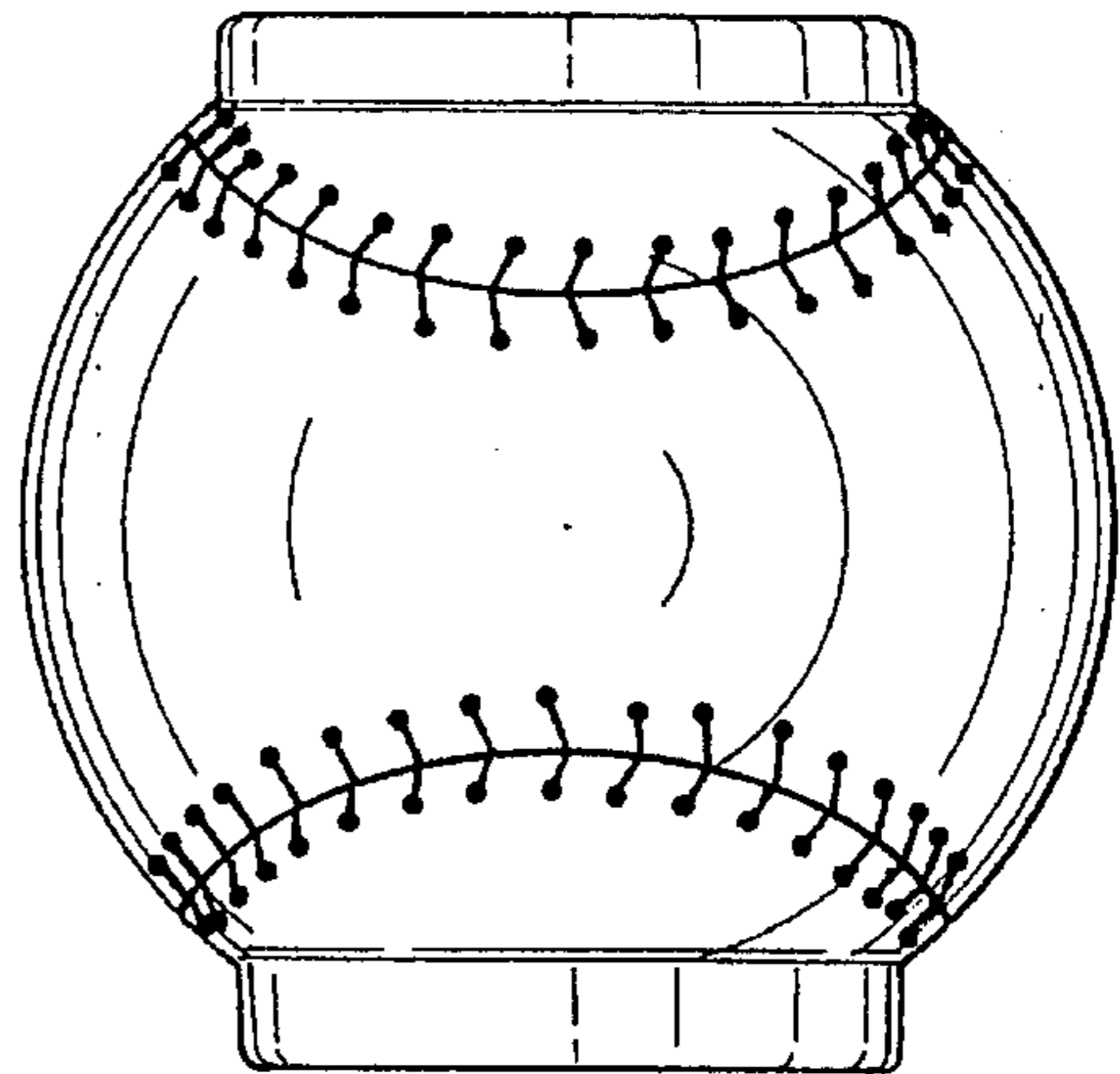


FIG-8

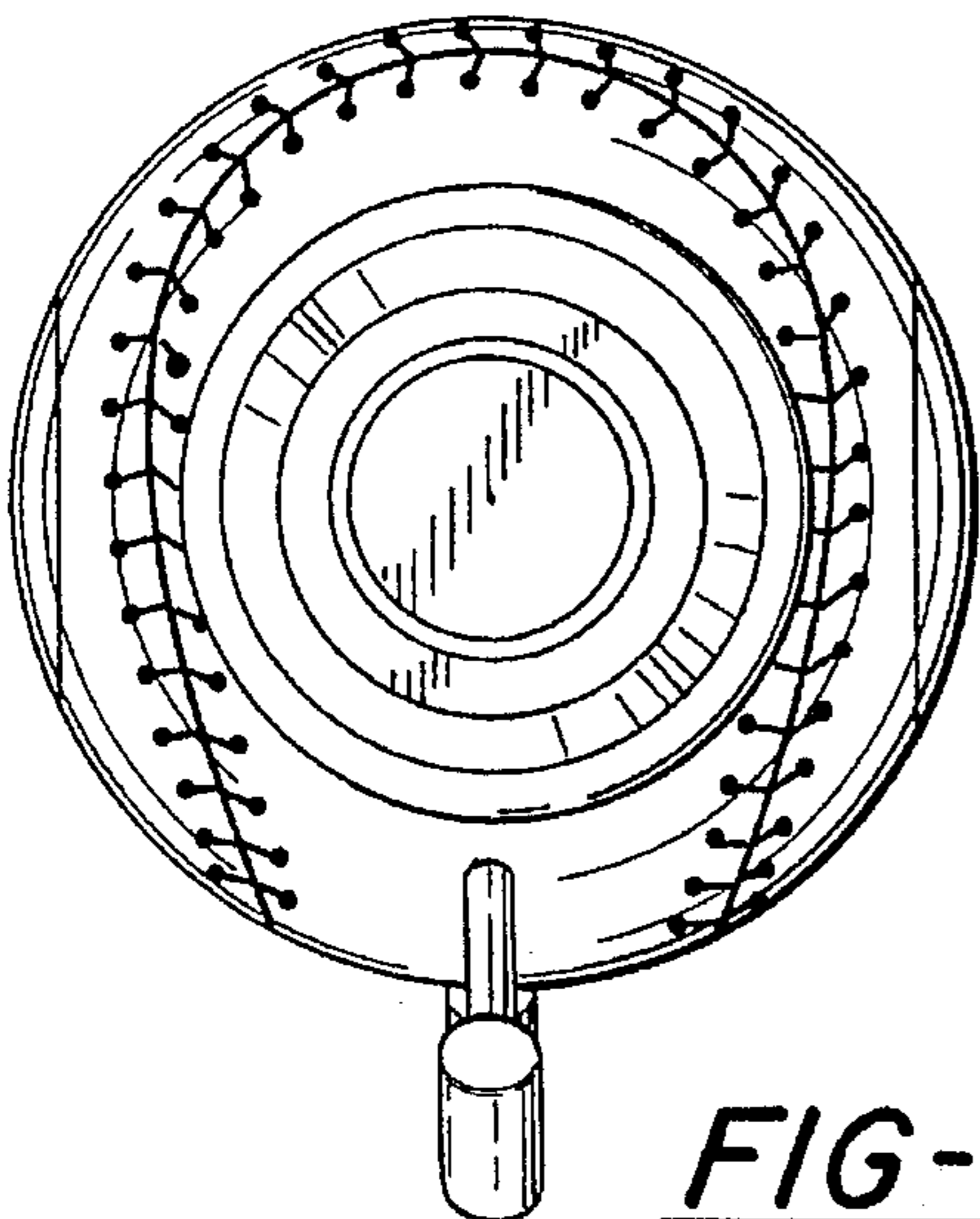


FIG-9

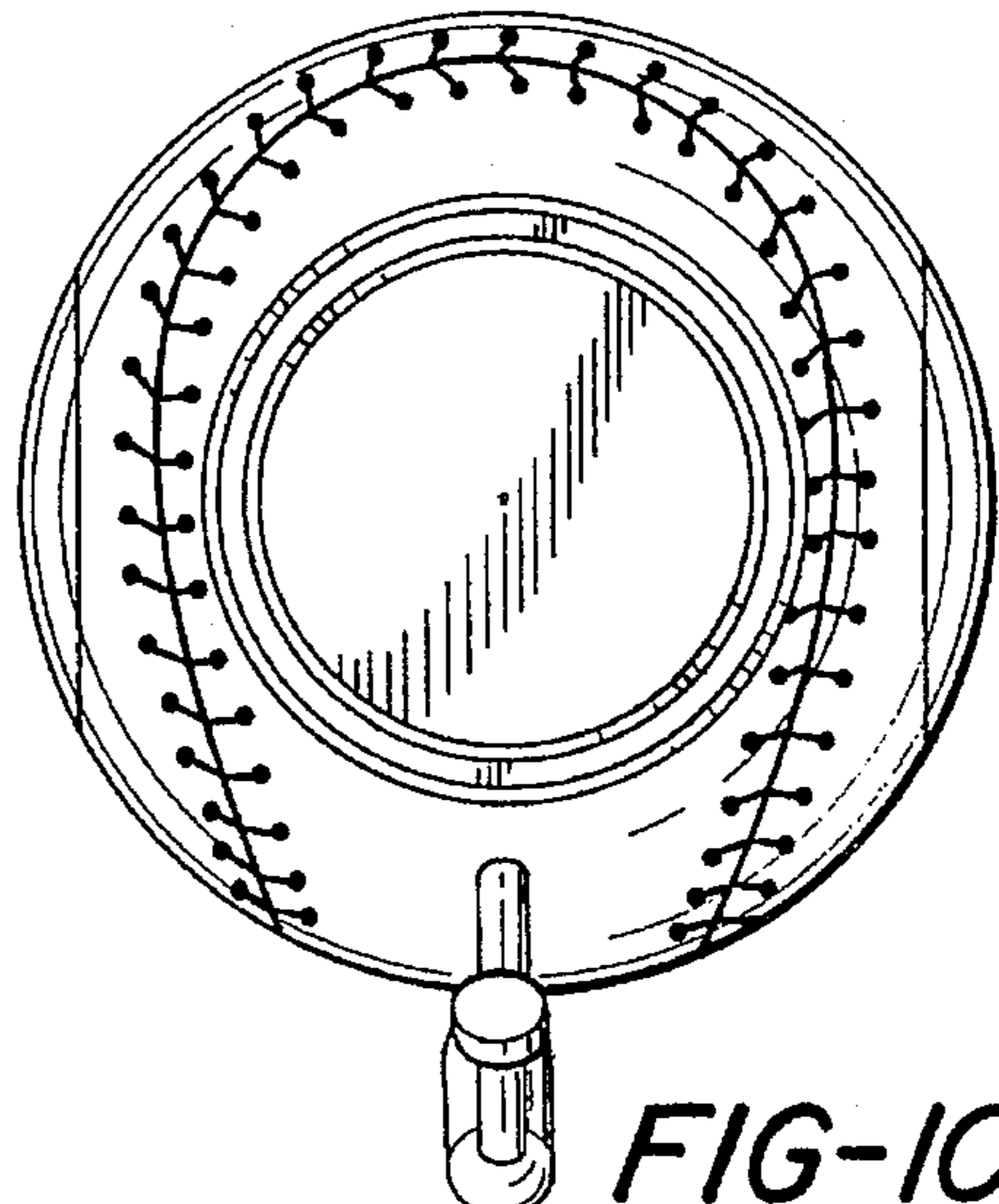


FIG-10

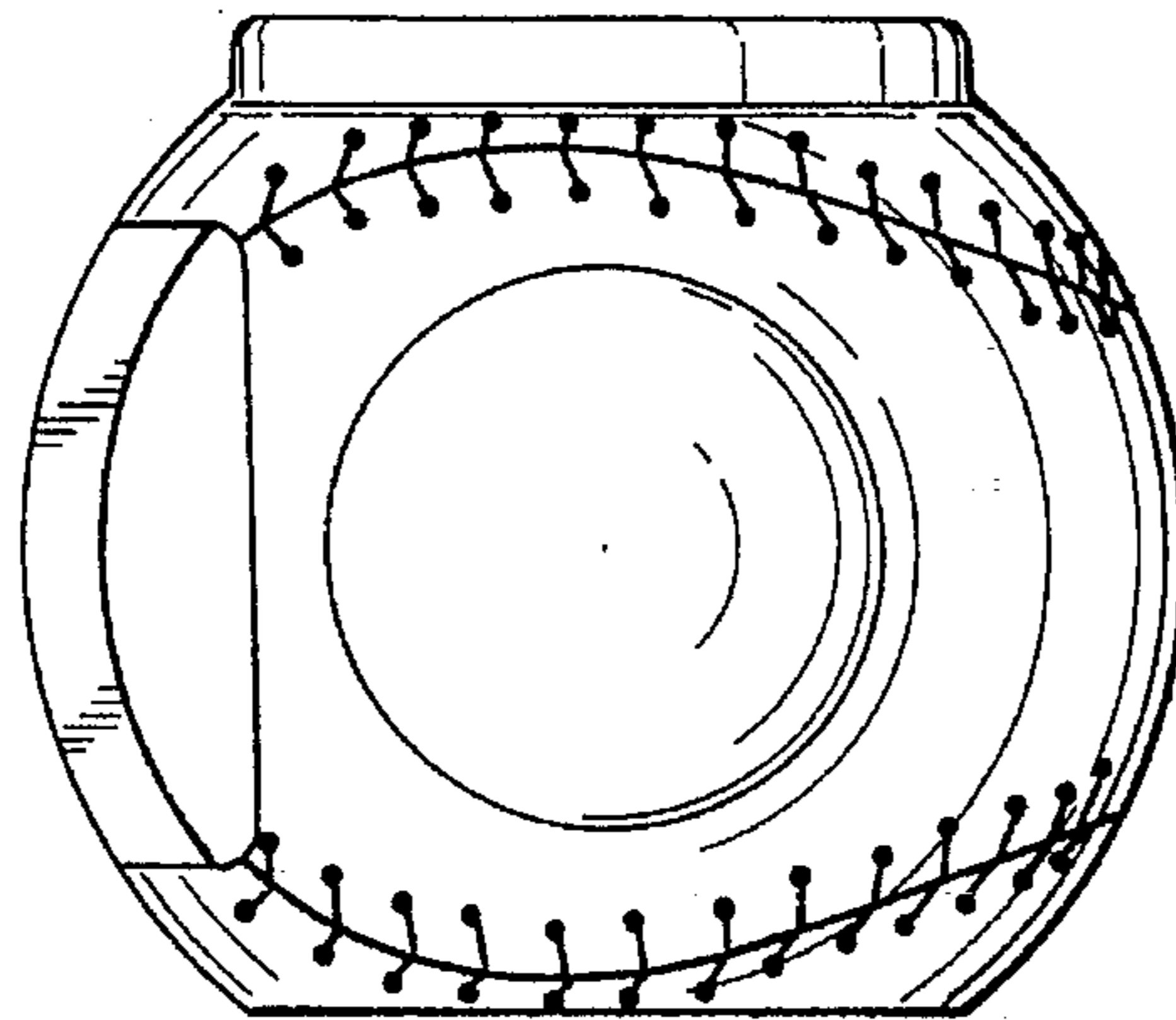


FIG-11

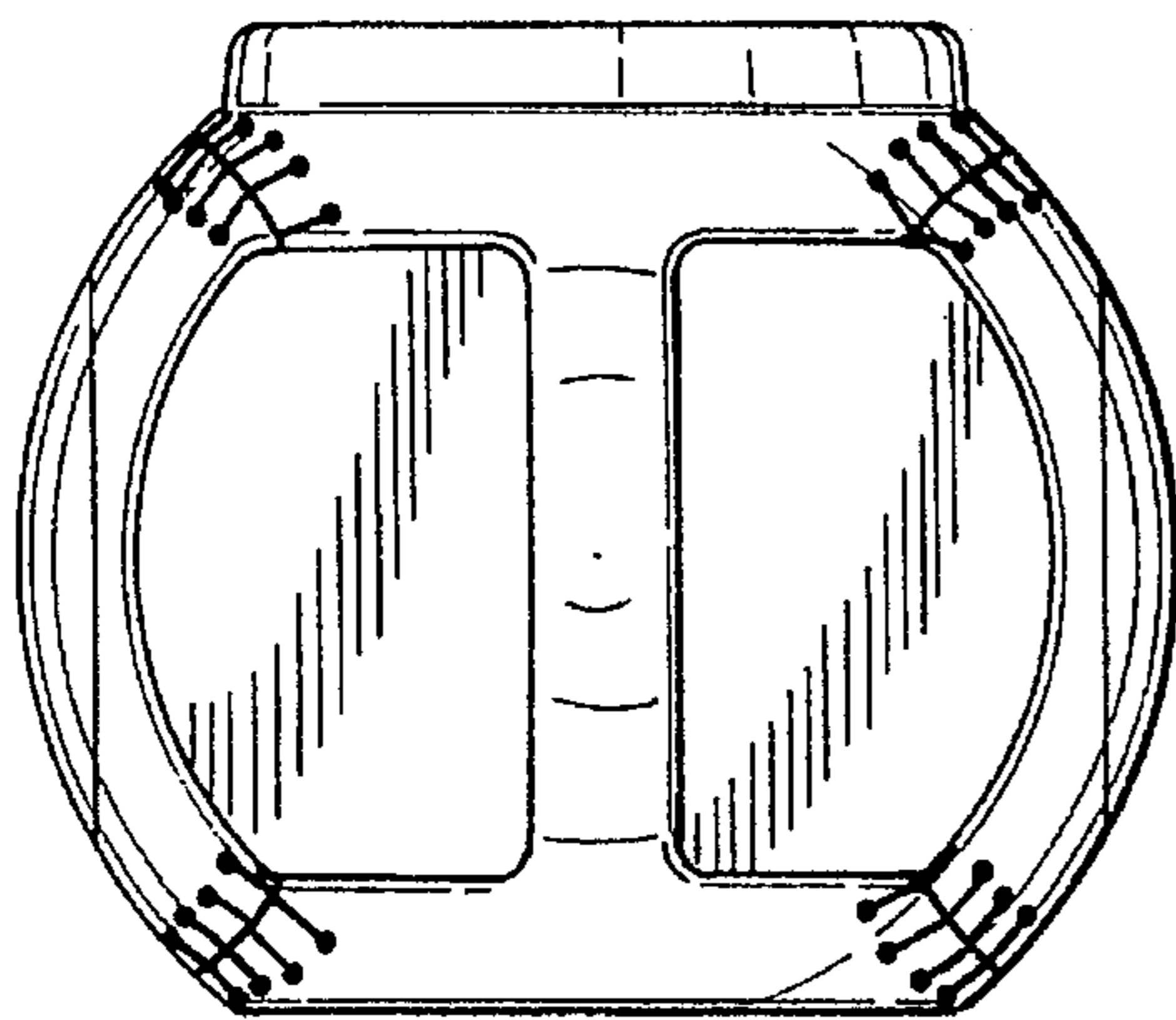


FIG-12

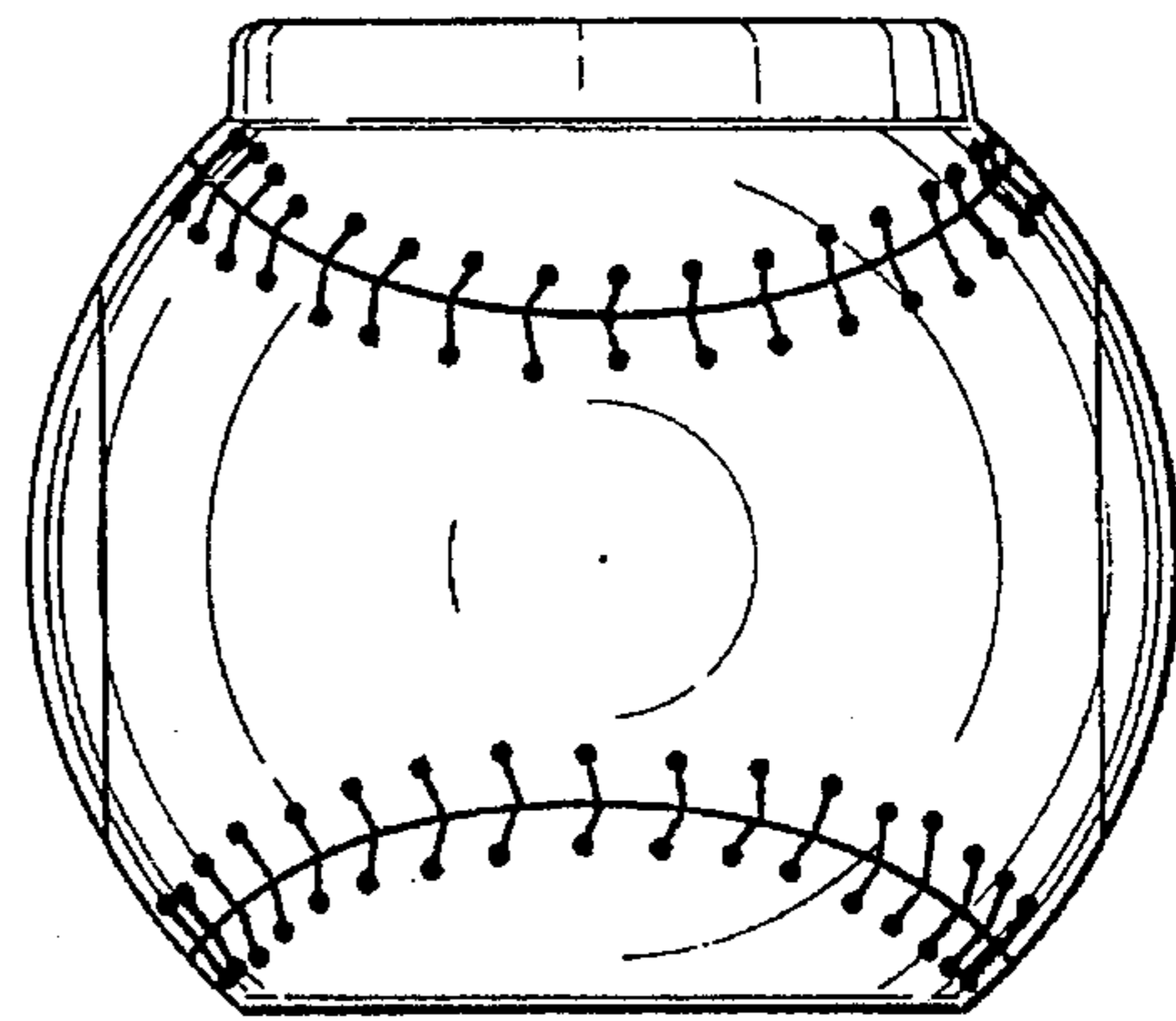


FIG-13

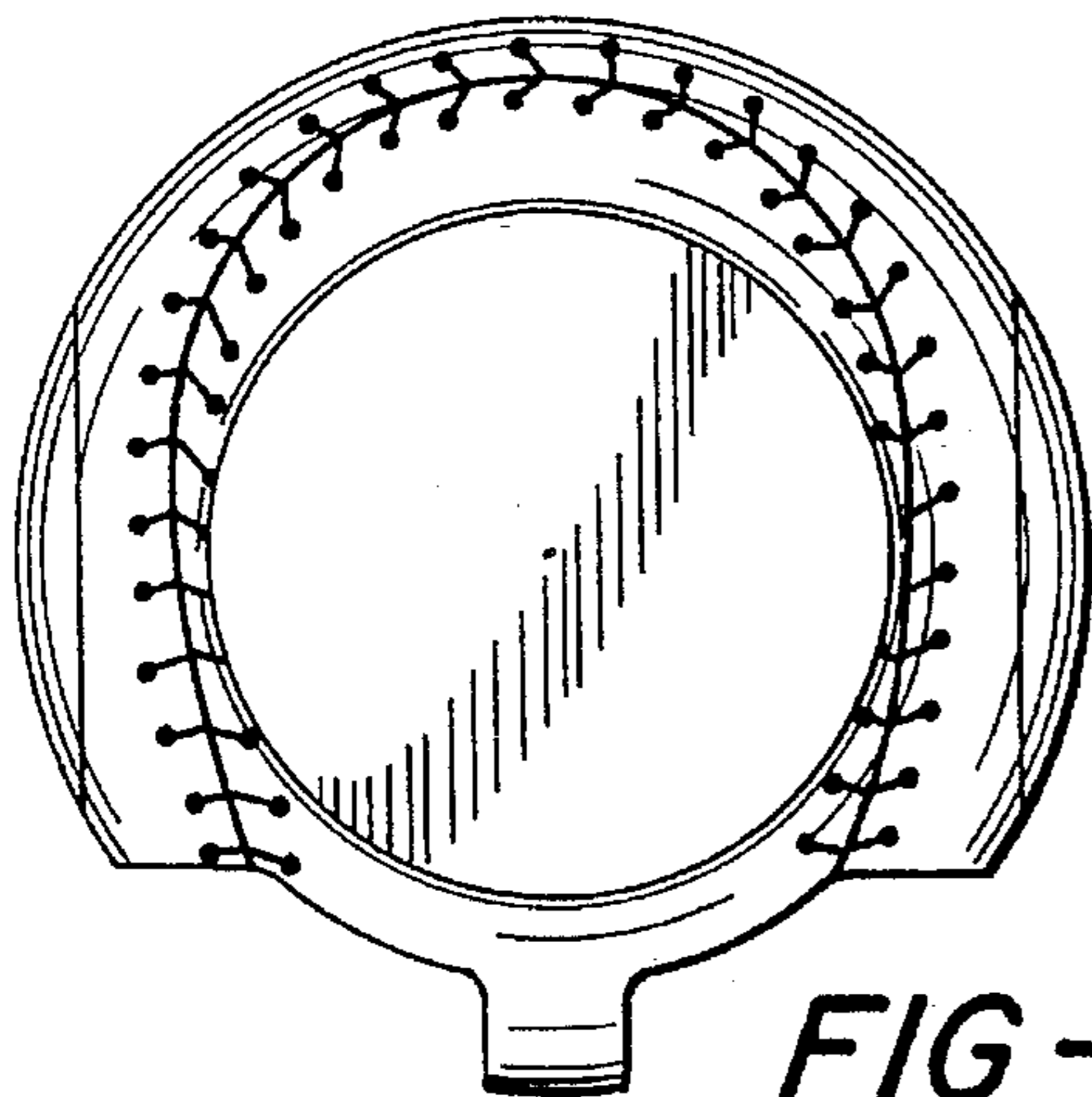


FIG-14

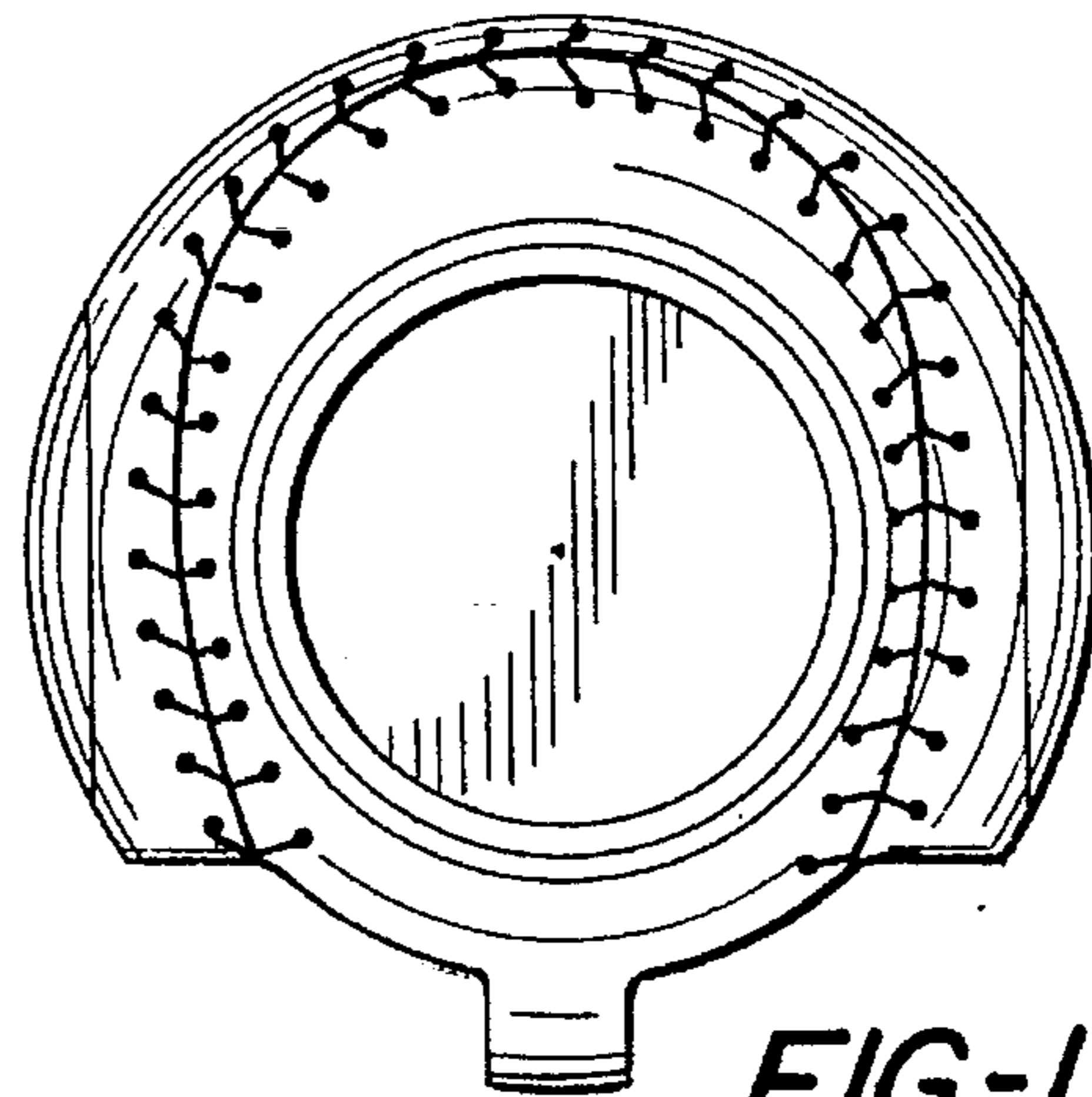


FIG-15

FIG-16

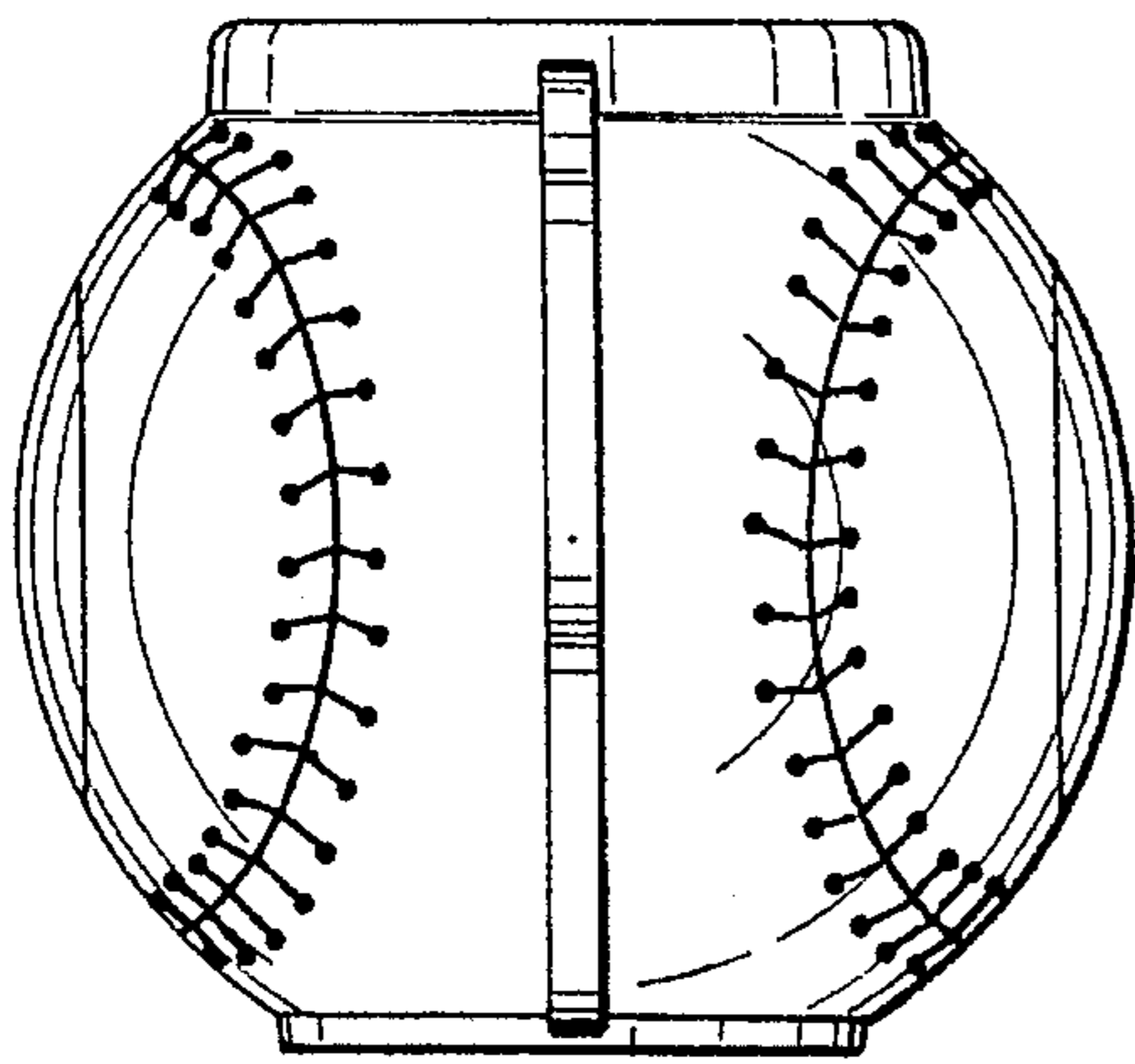
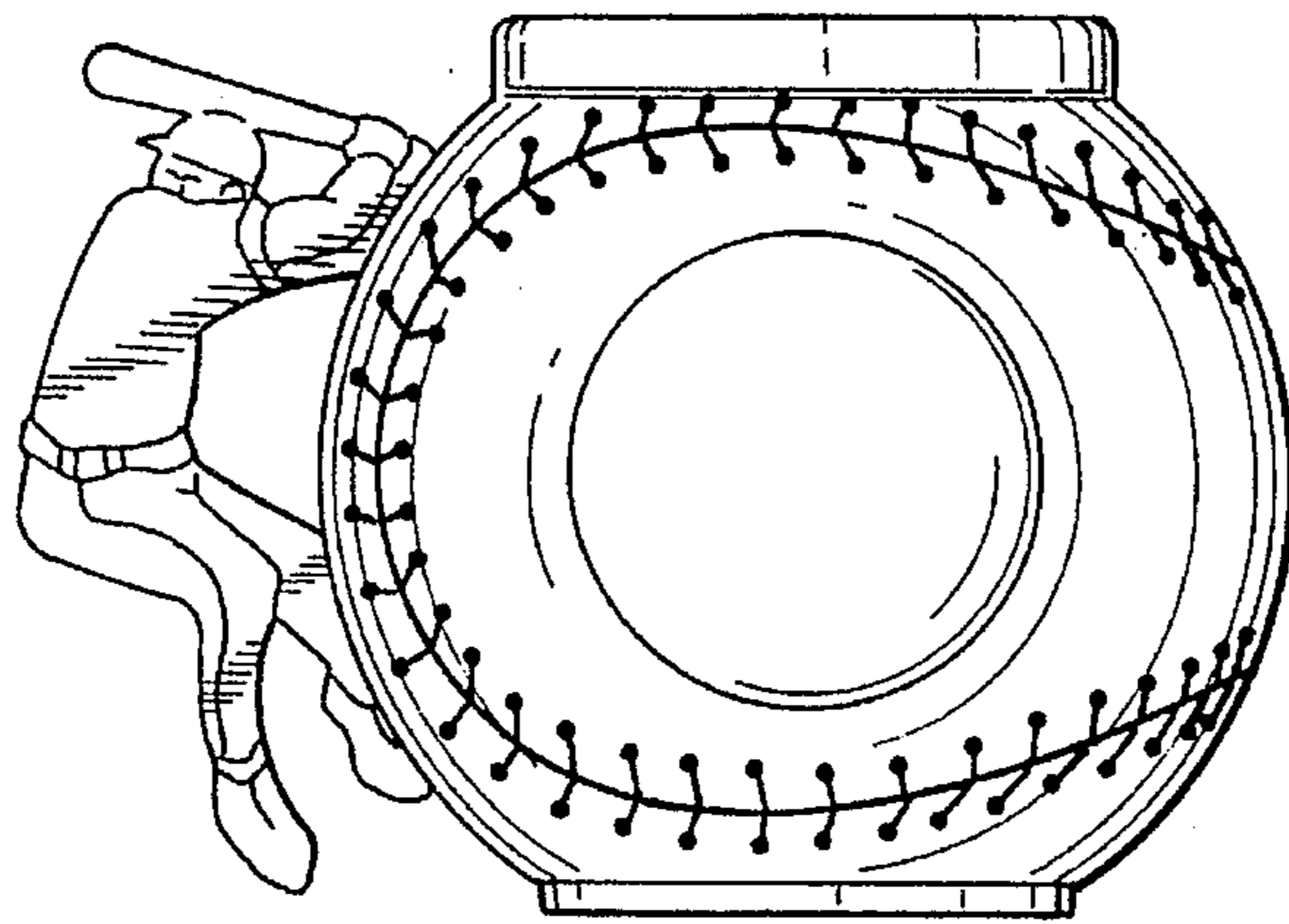


FIG-17

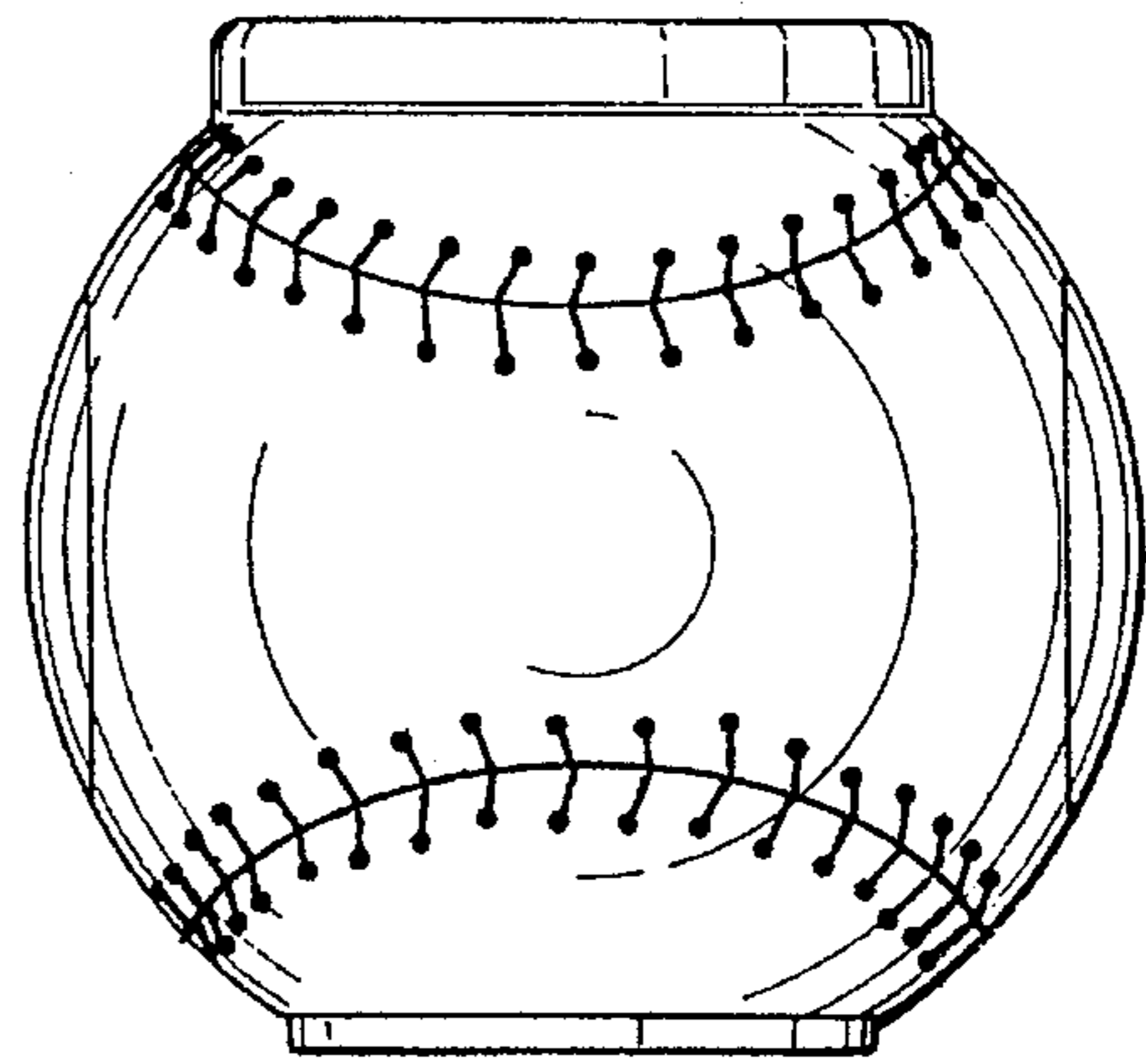


FIG-18

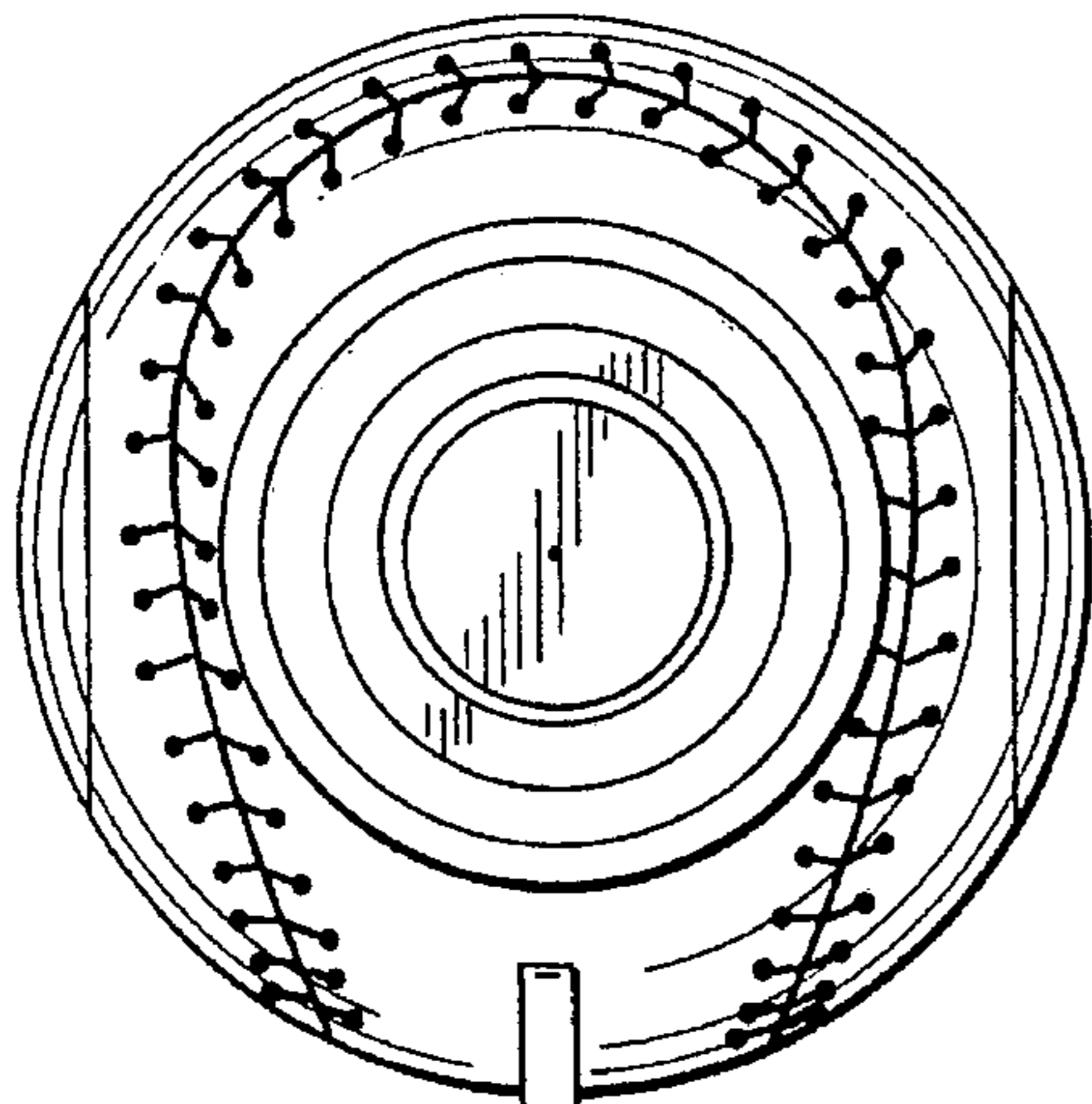


FIG-19

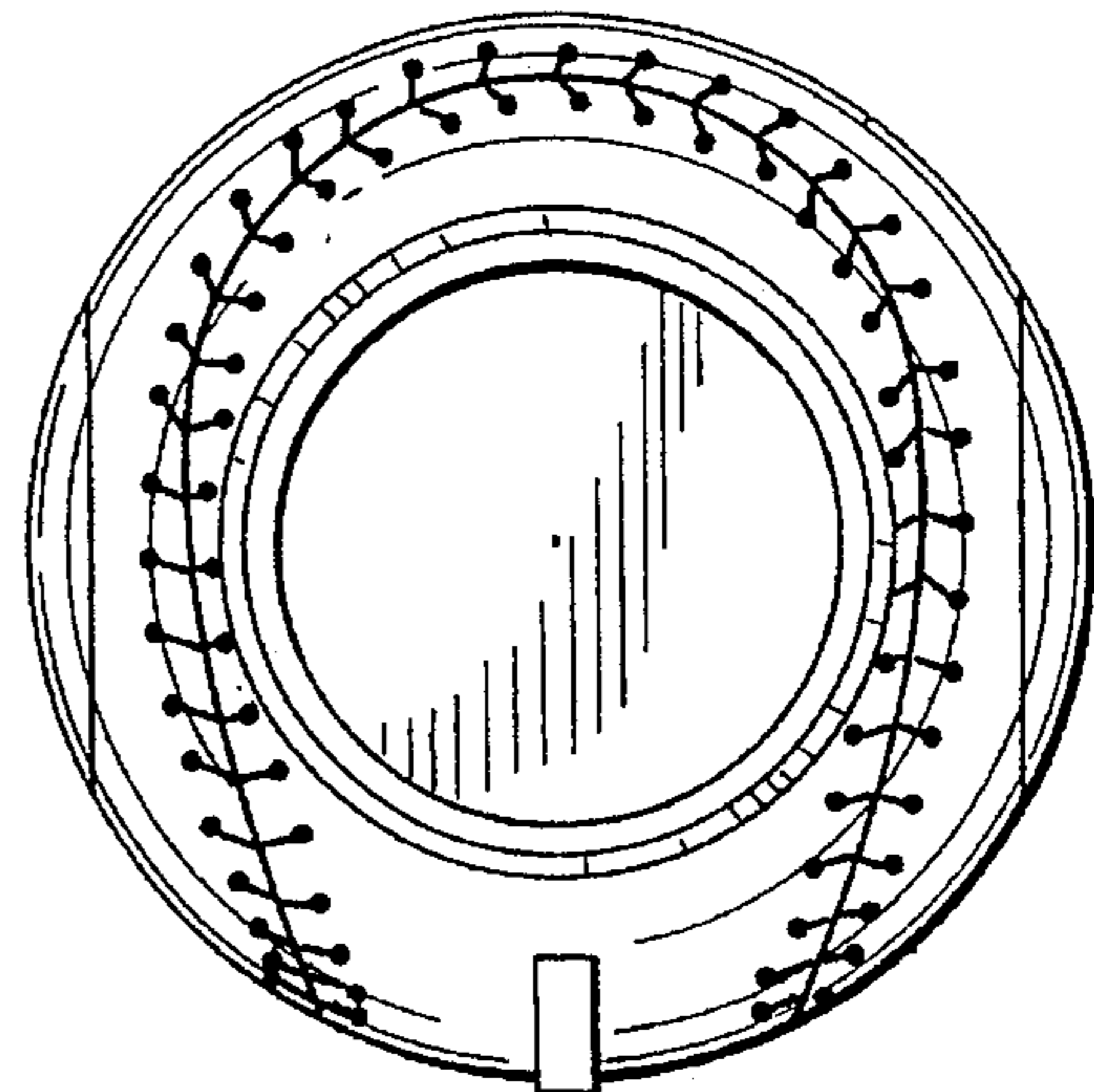


FIG-20