



US00D375224S

United States Patent [19]
Lilly

[11] **Patent Number: Des. 375,224**
[45] **Date of Patent: **Nov. 5, 1996**

[54] **COMBINED OUTDOOR MICROWAVE OVEN AND WEATHERPROOF HOUSING**

[76] Inventor: **Robert V. Lilly**, 18555 Roberts Rd,
#35, Desert Hot Springs, Calif. 92241

[**] Term: **14 Years**

[21] Appl. No.: **48,277**

[22] Filed: **Dec. 22, 1995**

[52] U.S. Cl. **D7/351**

[58] **Field of Search** D7/349-351; 126/275 R,
126/275 E, 19 M; 219/10.55 R, 10.55 A,
10.55 C, 10.55 F

[56] **References Cited**

U.S. PATENT DOCUMENTS

D. 184,839 4/1959 Sciver D7/348
D. 268,082 3/1983 Haruguchi et al. D7/351

D. 286,004 10/1986 Mizuma et al. D7/351
D. 290,805 7/1987 Kubo et al. D7/351
D. 291,048 7/1987 Kubo et al. D7/351
D. 305,087 12/1989 Ichihara et al. D7/351

Primary Examiner—Ruth McInroy

[57] **CLAIM**

The ornamental design for a combined outdoor microwave oven and weatherproof housing, as shown and described.

DESCRIPTION

FIG. 1 is a front elevational view of a combined microwave oven and weatherproof housing showing my new design; FIG. 2 is a rear elevational view thereof; FIG. 3 is a right view thereof; FIG. 4 is a left view thereof; FIG. 5 is a top plan view thereof; and, FIG. 6 is a bottom plan view thereof.

1 Claim, 3 Drawing Sheets

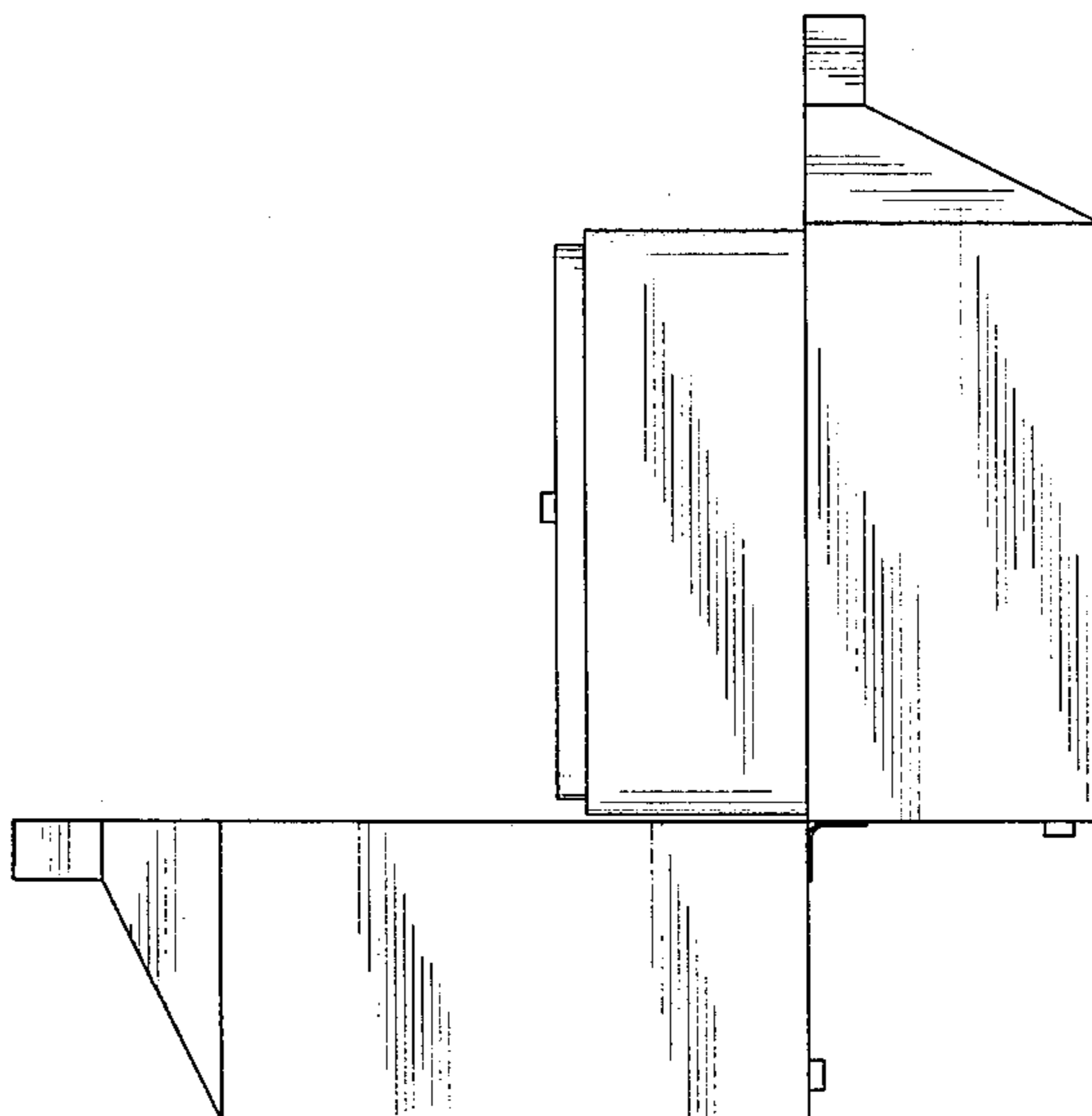
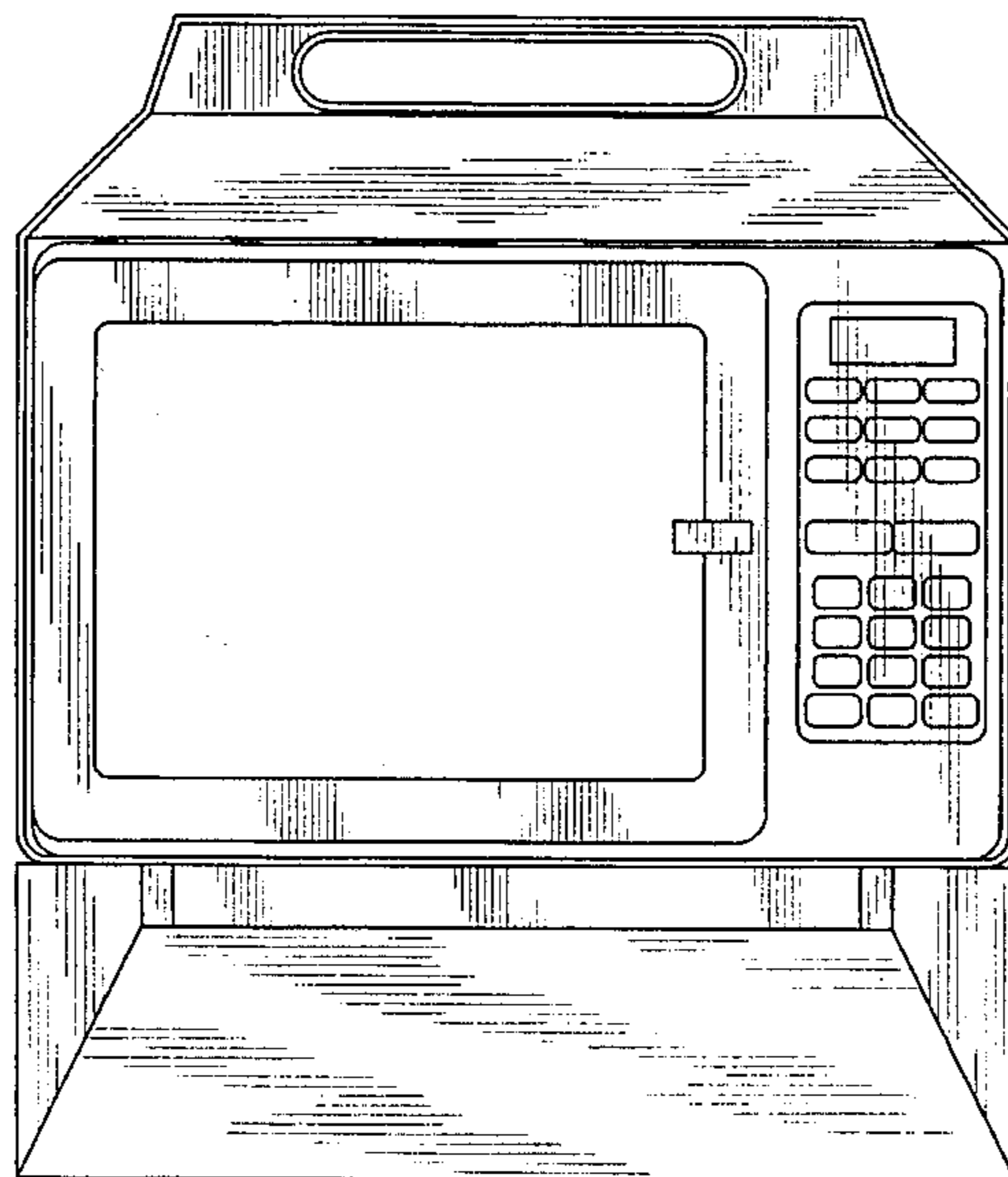


FIG. 1

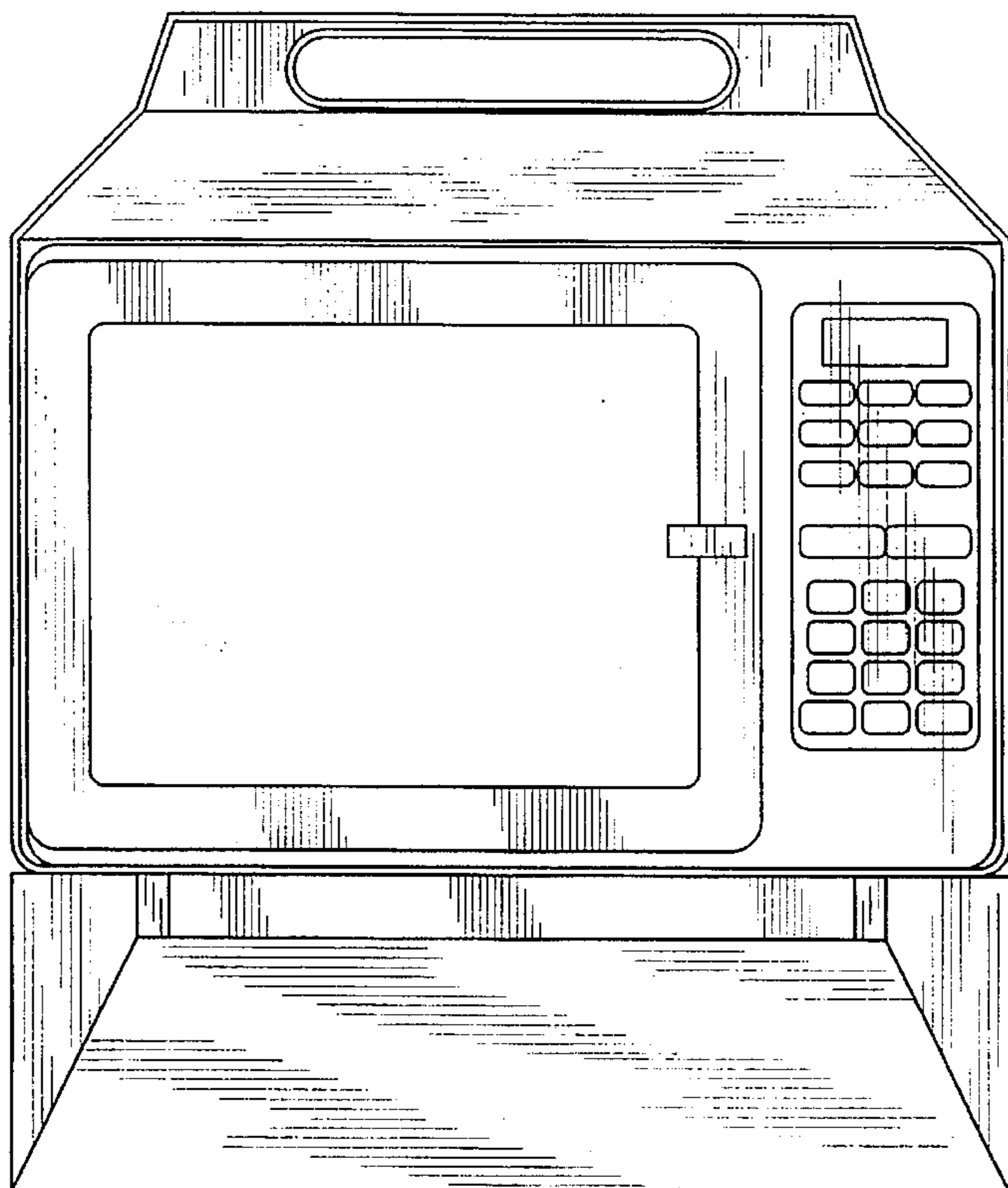


FIG. 2

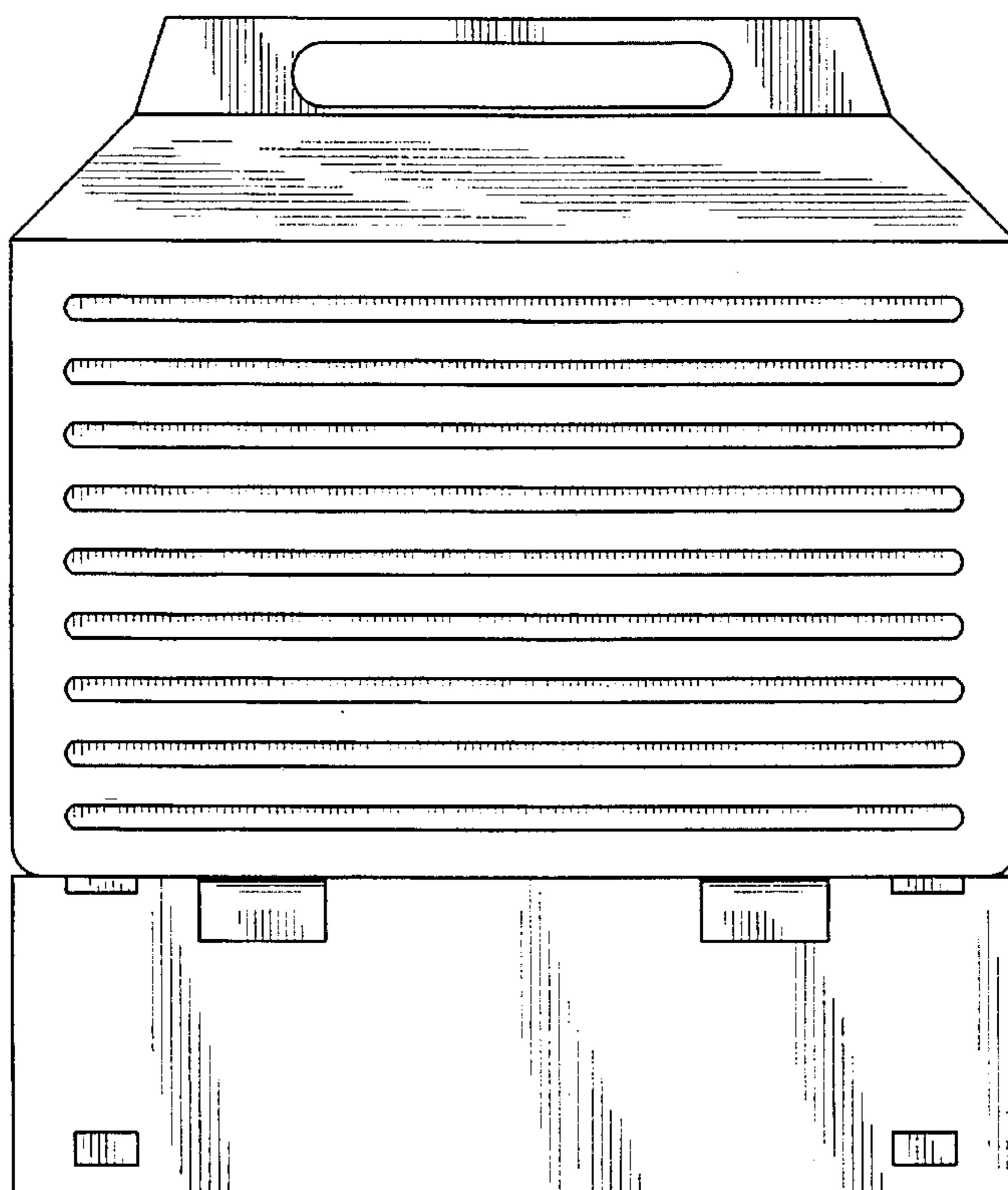


FIG. 3

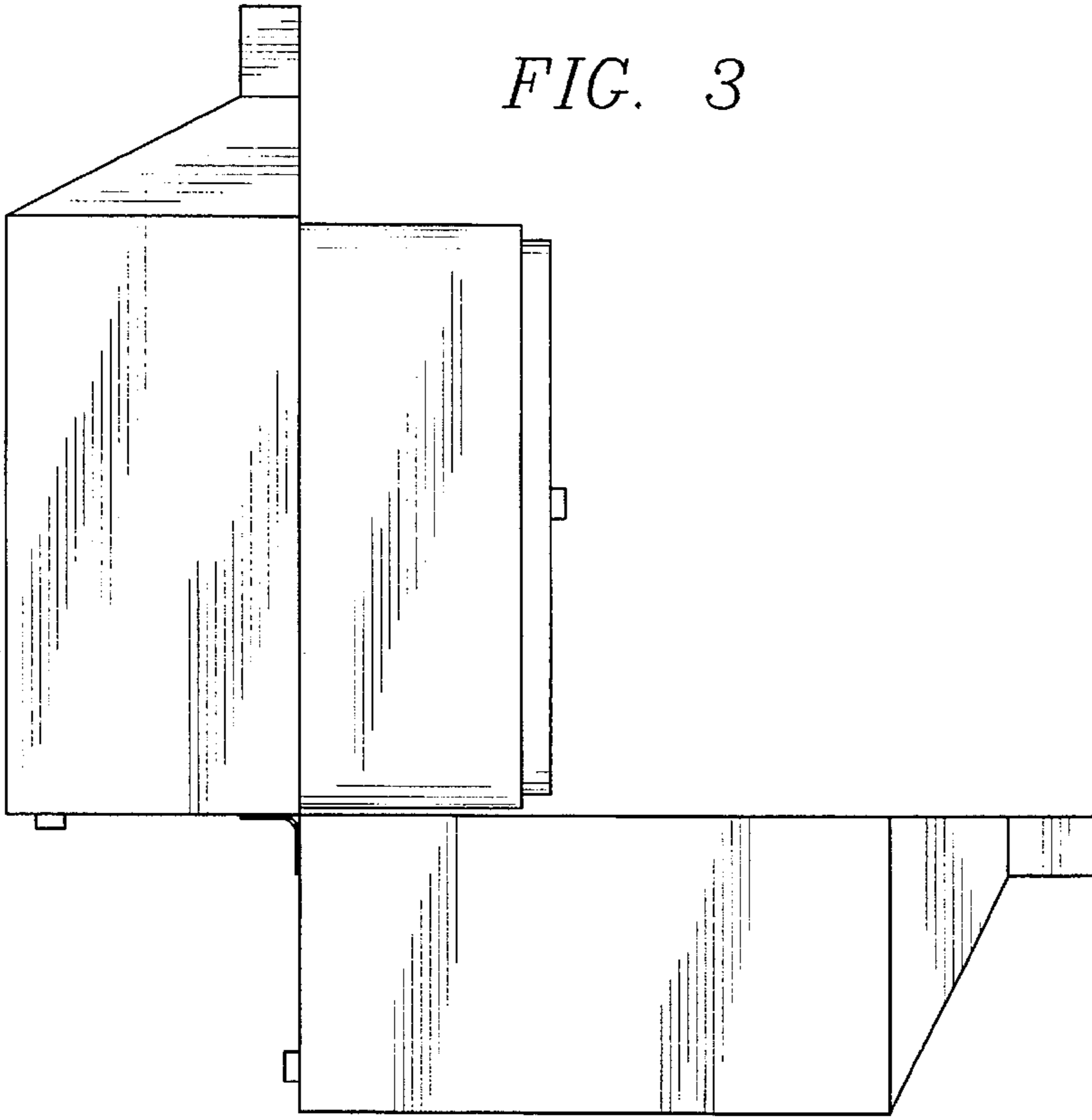


FIG. 4

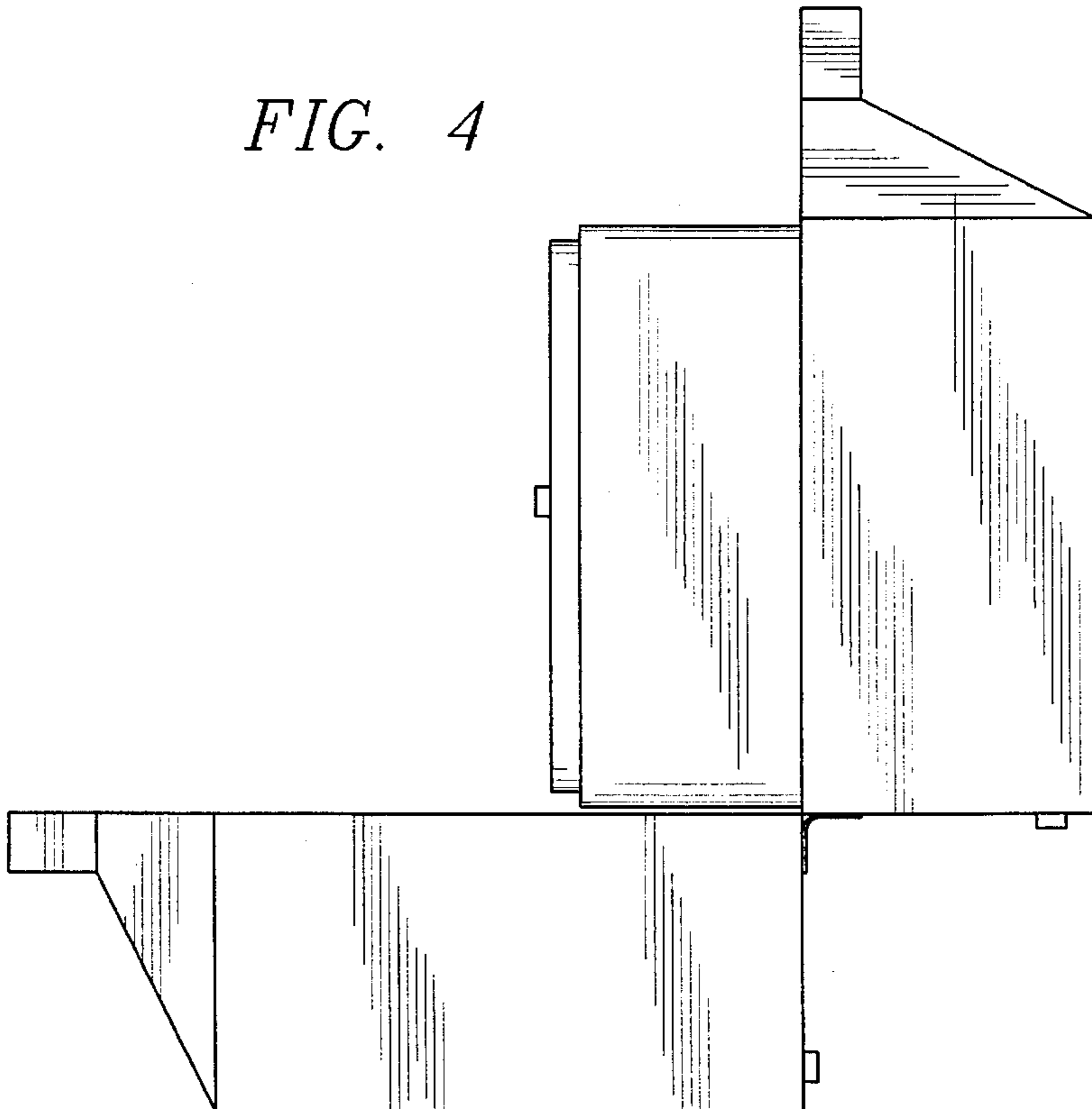


FIG. 5

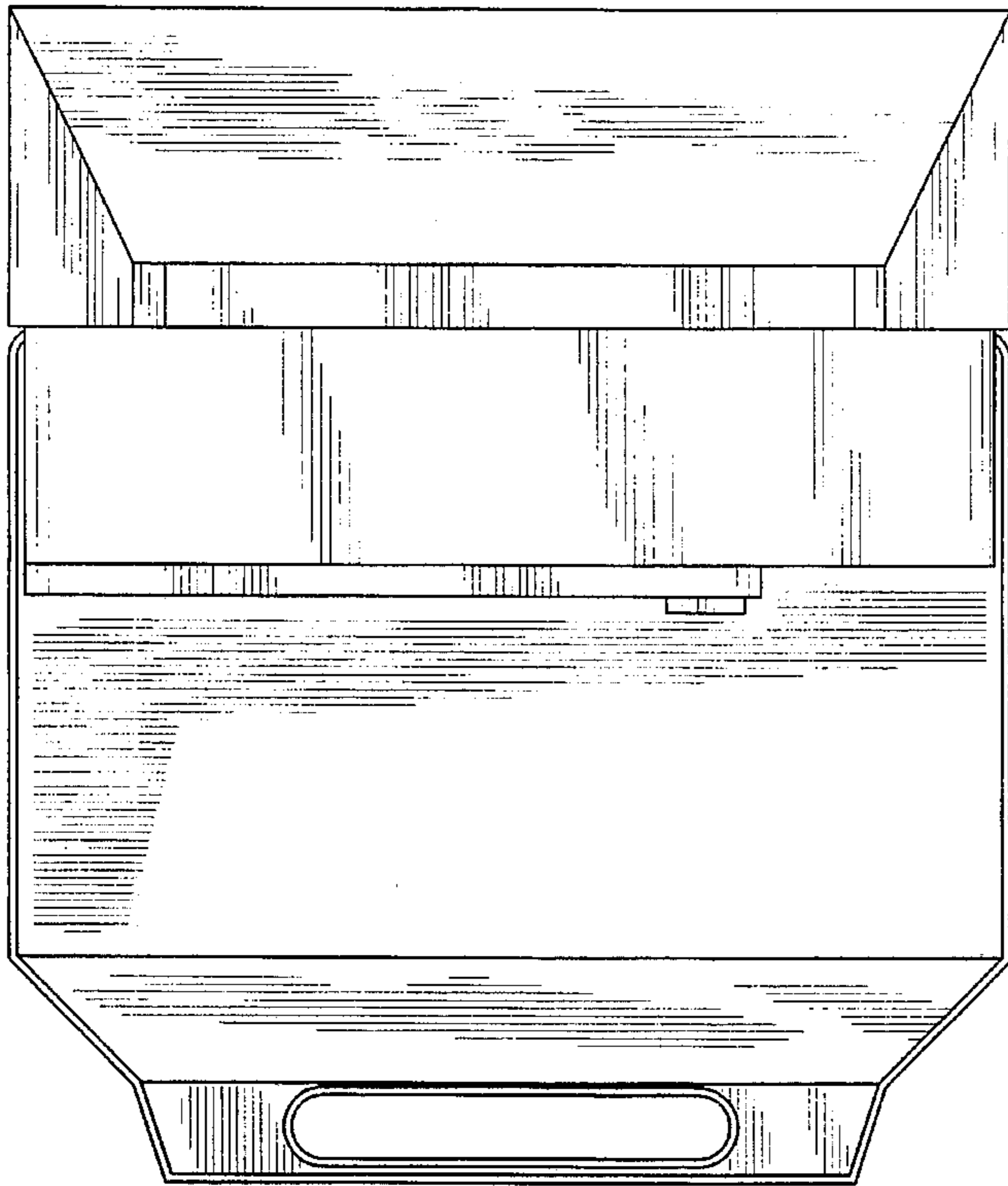


FIG. 6

