



US00D375223S

United States Patent [19]

Parnell et al.

[11] Patent Number: **Des. 375,223**

[45] Date of Patent: ****Nov. 5, 1996**

[54] TRIPOD BURNER

[76] Inventors: **Richie P. Parnell**, 2269 Cochran Town Rd.; **Joey D. Mixon**, Rte. 6 Box 159A, both of Lucedale, Miss. 39452

[**] Term: **14 Years**

[21] Appl. No.: **26,227**

[22] Filed: **Jul. 22, 1994**

[52] U.S. Cl. **D7/337; D7/403**

[58] Field of Search **D7/332, 337, 362, D7/403; 126/40, 56, 38**

[56] References Cited

U.S. PATENT DOCUMENTS

D. 229,275	11/1973	Delahoussaye	229/275 R
4,092,974	6/1978	Zenzaburo	126/38
4,177,790	12/1979	Zenzaburo	126/38
4,454,859	6/1984	Vincent	126/38
4,726,350	2/1988	Steinhauser	126/38
5,117,808	6/1992	Peters et al.	160/260

Primary Examiner—James M. Gandy

Assistant Examiner—Linda Brooks

Attorney, Agent, or Firm—Pravel, Hewitt, Kimball & Krieger

[57] CLAIM

The ornamental design for a tripod burner, as shown and described.

DESCRIPTION

FIG. 1 is a perspective view of the tripod burner of the present invention in its erected position, showing the front, sides and top of the new design;

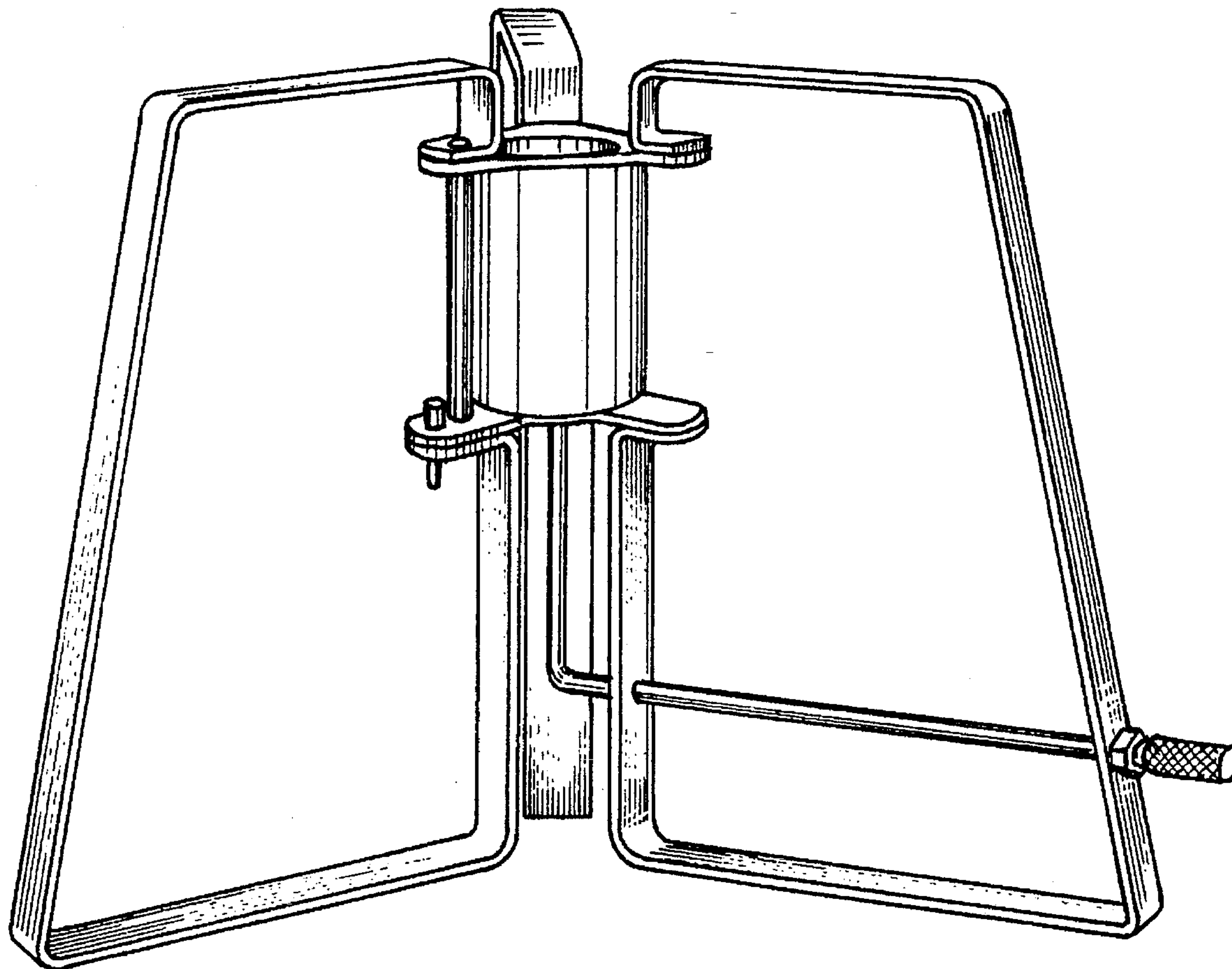
FIG. 2 is a top view of the tripod burner of FIG. 1;

FIG. 3 is a side view of the tripod burner of FIG. 1, both sides being substantially identical;

FIG. 4 is a perspective view of the tripod burner of the present invention in its collapsed position, showing the front, sides and top of the new design; and,

FIG. 5 is a top view of the tripod burner of FIG. 4.

1 Claim, 2 Drawing Sheets



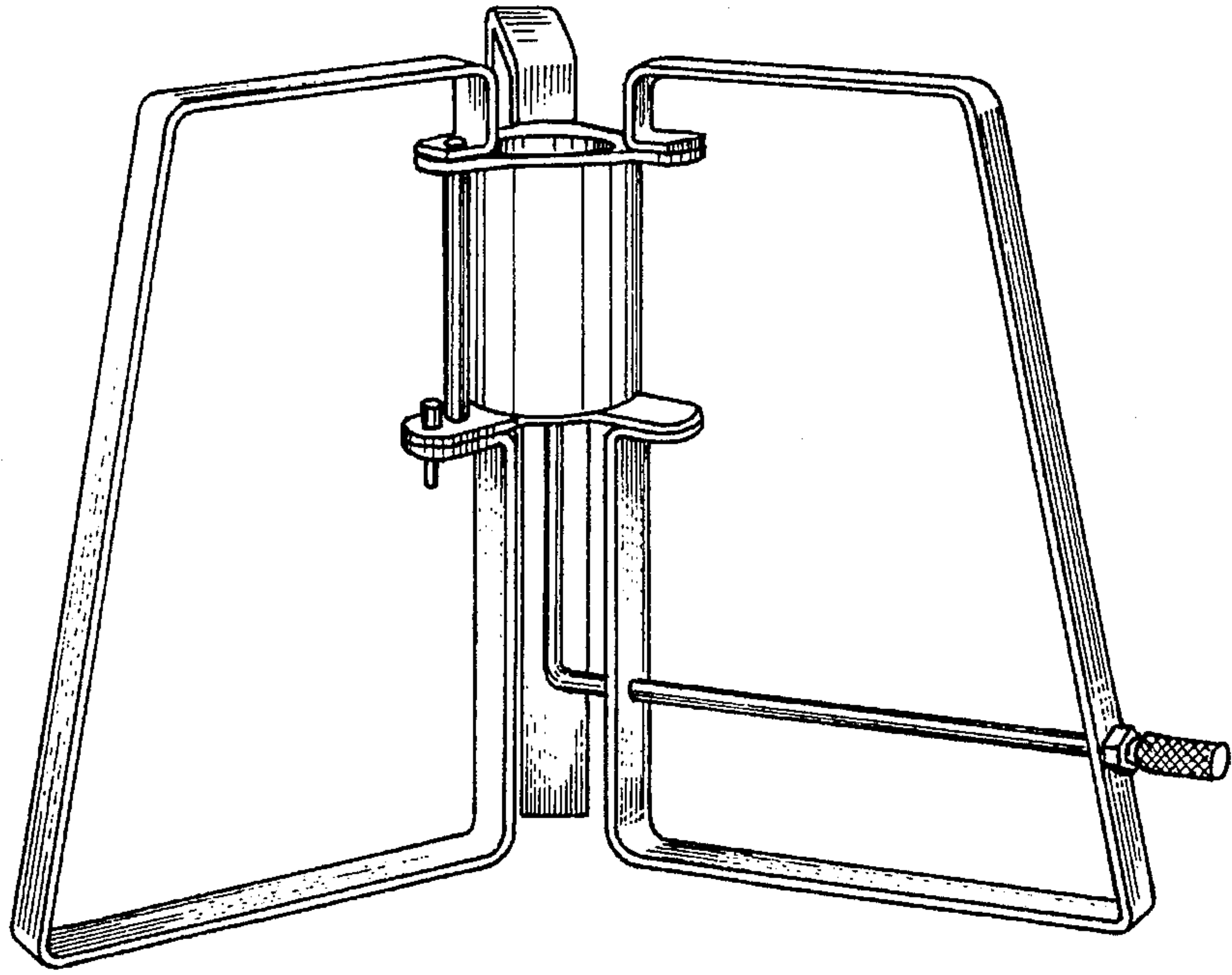


FIG. 1

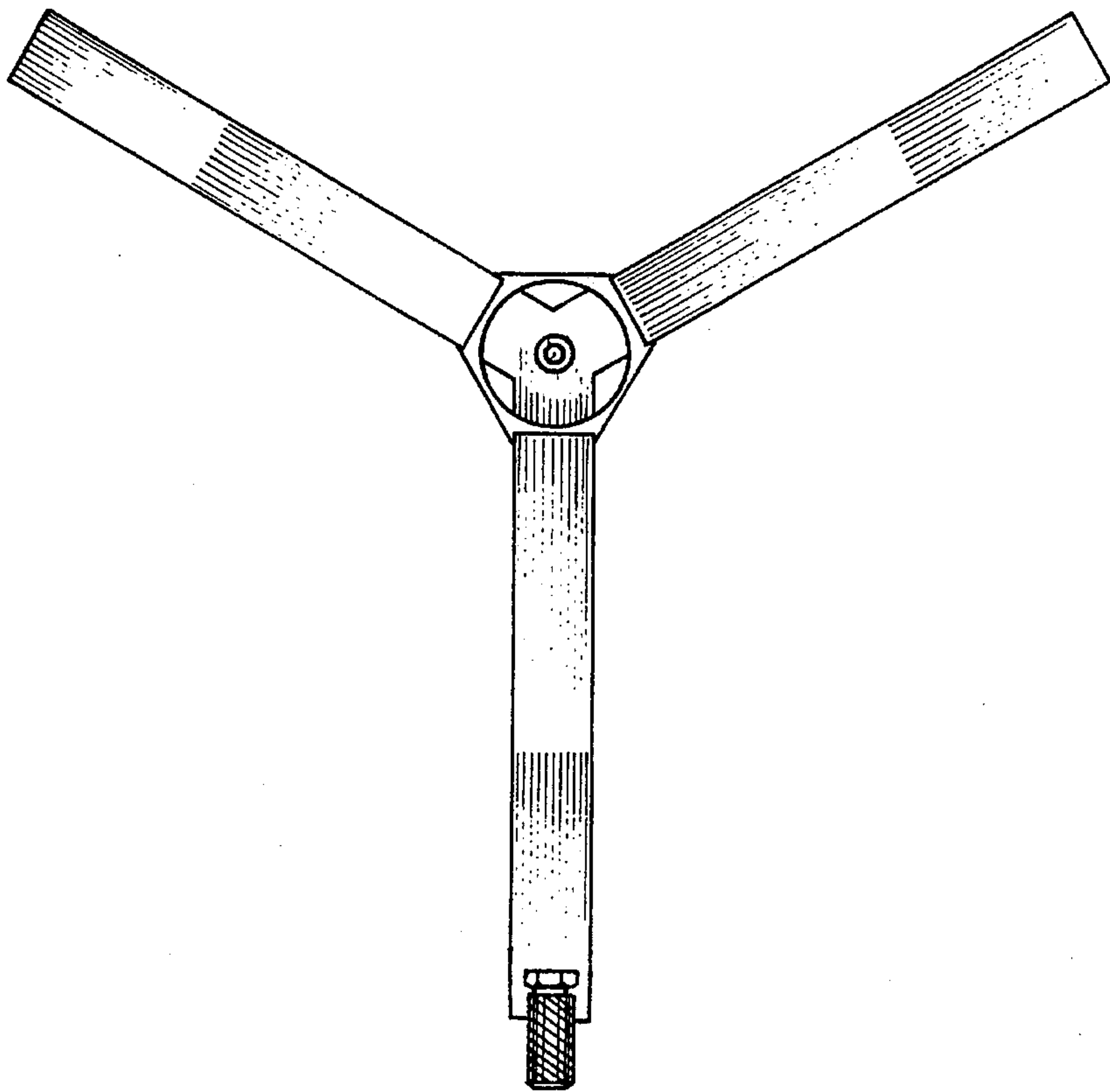


FIG. 2

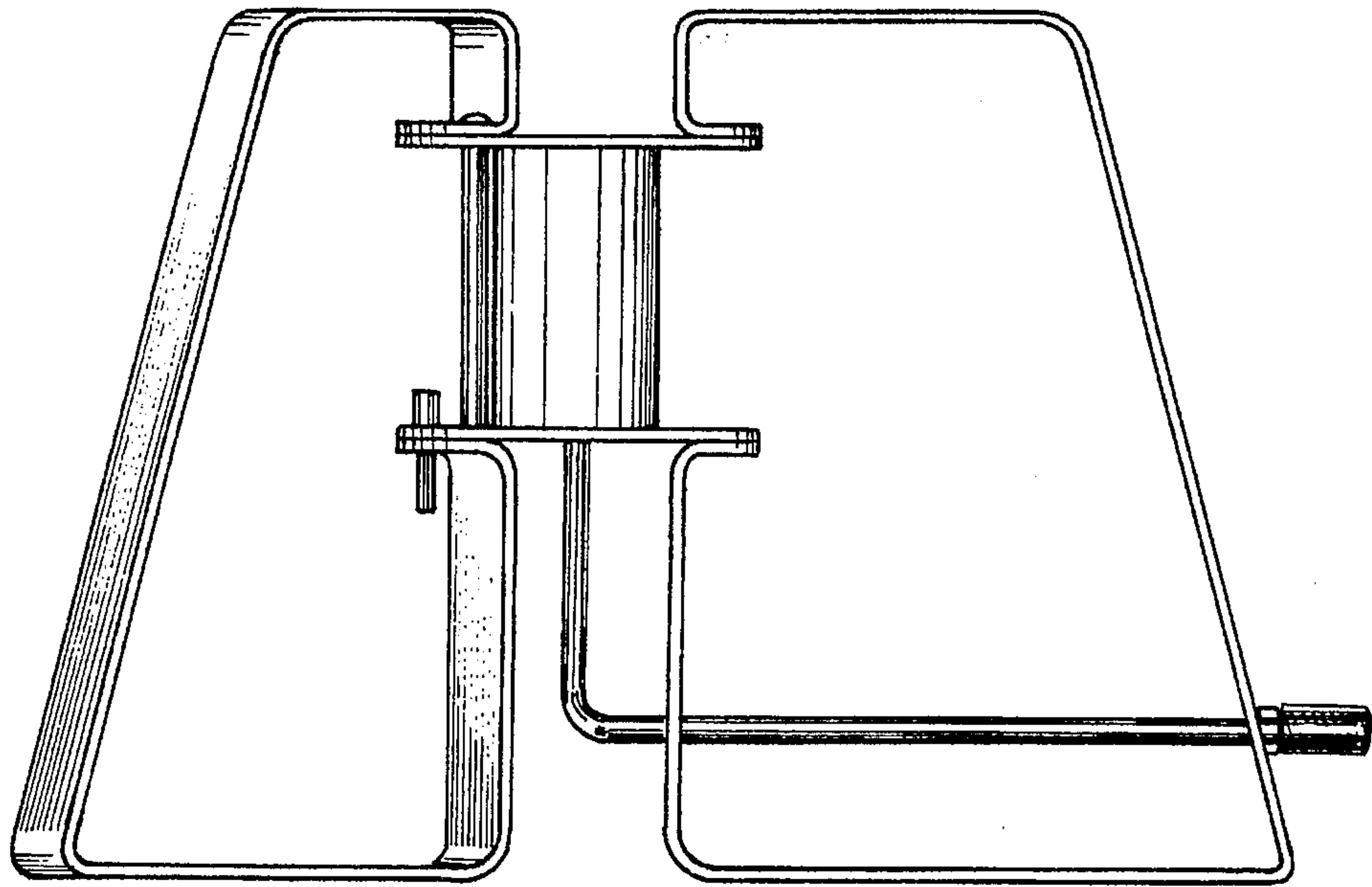


FIG. 3

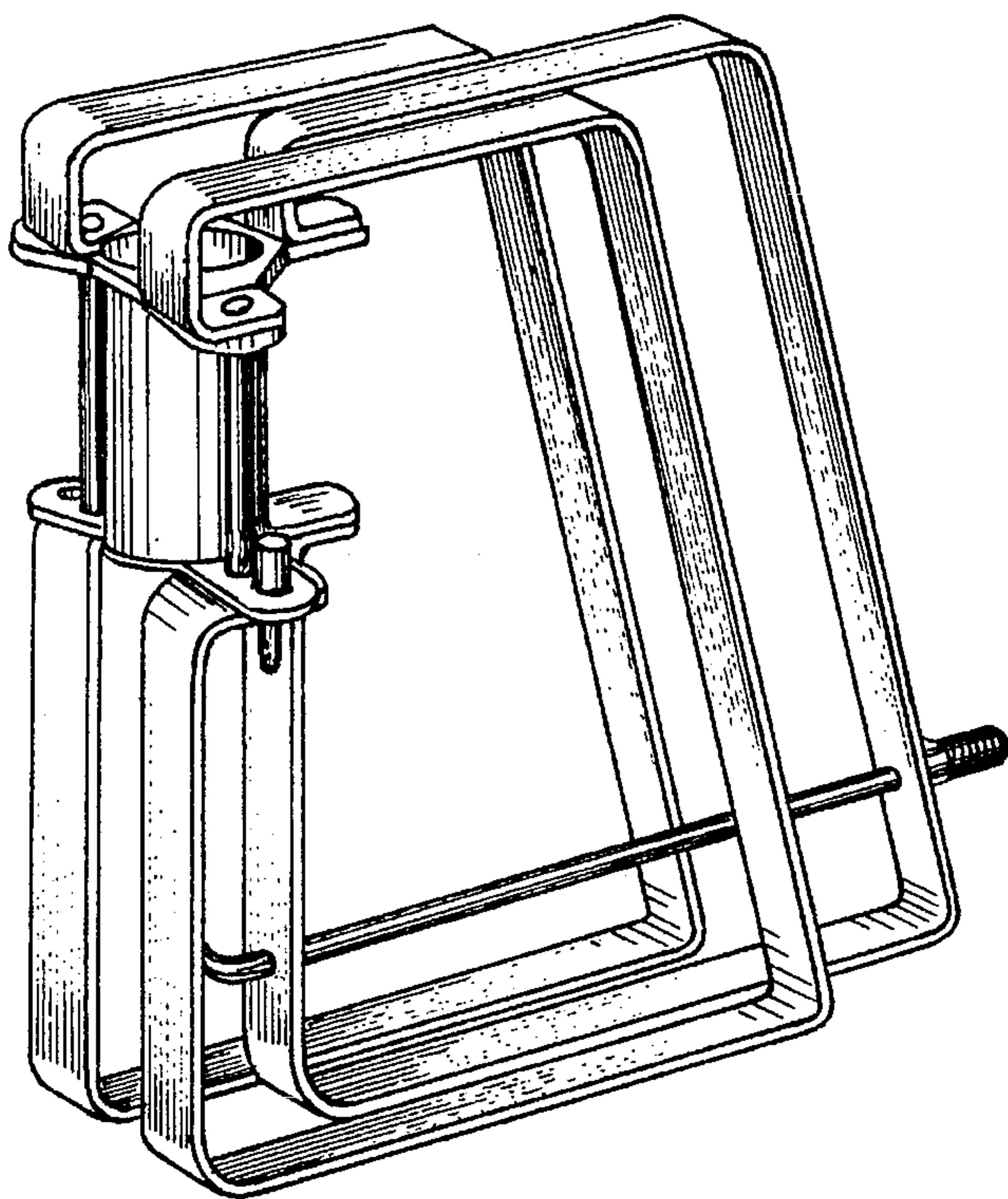


FIG. 4

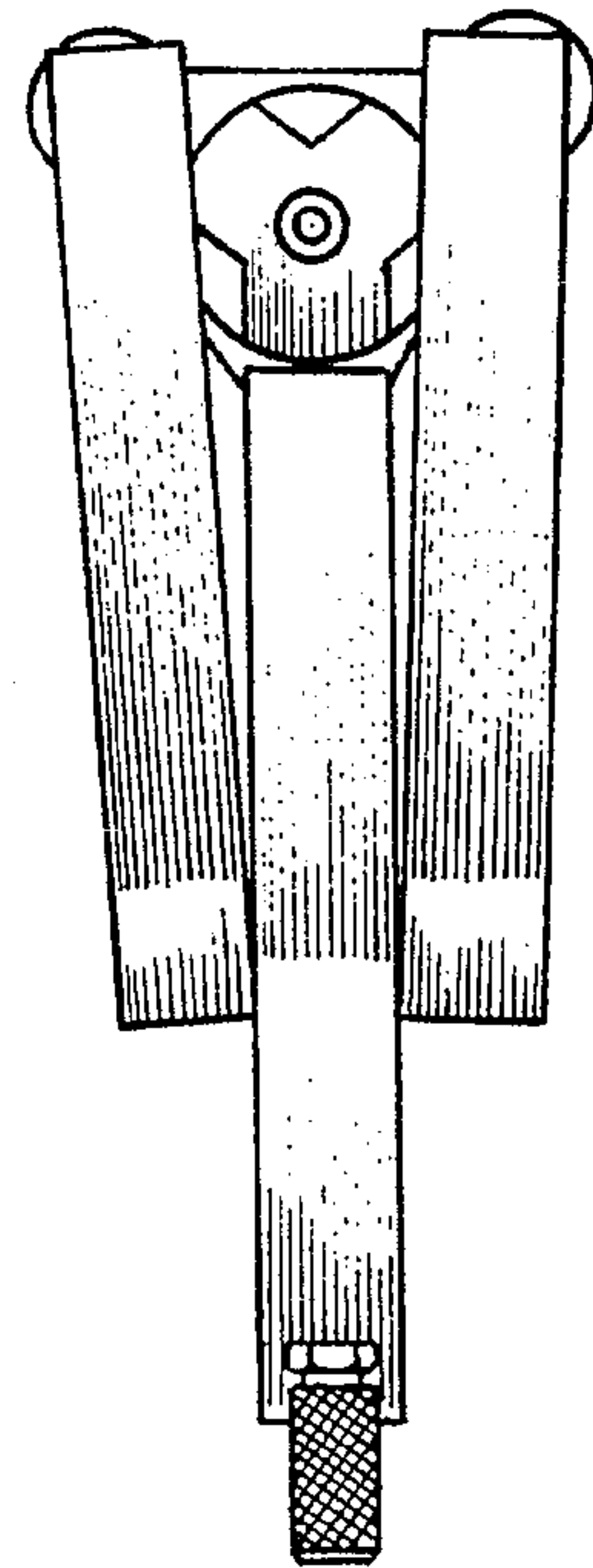


FIG. 5