



US00D375218S

United States Patent [19]
Sharp

[11] **Patent Number:** **Des. 375,218**
[45] **Date of Patent:** ****Nov. 5, 1996**

[54] **ADJUSTABLE MIRROR**

[76] Inventor: **Bob A. Sharp**, Box 119, Annabella,
Utah 84711

[**] Term: **14 Years**

[21] Appl. No.: **37,773**

[22] Filed: **Apr. 20, 1995**

[52] U.S. Cl. **D6/503; D6/312; D6/389**

[58] Field of Search **D6/389, 503, 300,
D6/312; D24/184; 248/489; 5/414, 908**

[56] **References Cited**

U.S. PATENT DOCUMENTS

493,305	3/1893	Sherman	5/414 X
2,873,456	2/1959	Joy	5/908 X
4,607,401	8/1986	Sisson	5/908 X

FOREIGN PATENT DOCUMENTS

3119919	12/1982	Germany	5/908
---------	---------	---------	-------

OTHER PUBLICATIONS

Pro-Tech Canopy ad, c1987, Nolte Di'oro bed at top right.

Primary Examiner—Janice E. Seeger

Attorney, Agent, or Firm—Harold H. Dutton, Jr.; W. Charles
L. Jamison; Diane F. Liebman

[57] **CLAIM**

The ornamental design for a adjustable mirror, as shown and described.

DESCRIPTION

FIG. 1 is a top view of a adjustable mirror showing my new design;

FIG. 2 is a bottom view thereof;

FIG. 3 is a right side view thereof;

FIG. 4 is a left side view thereof;

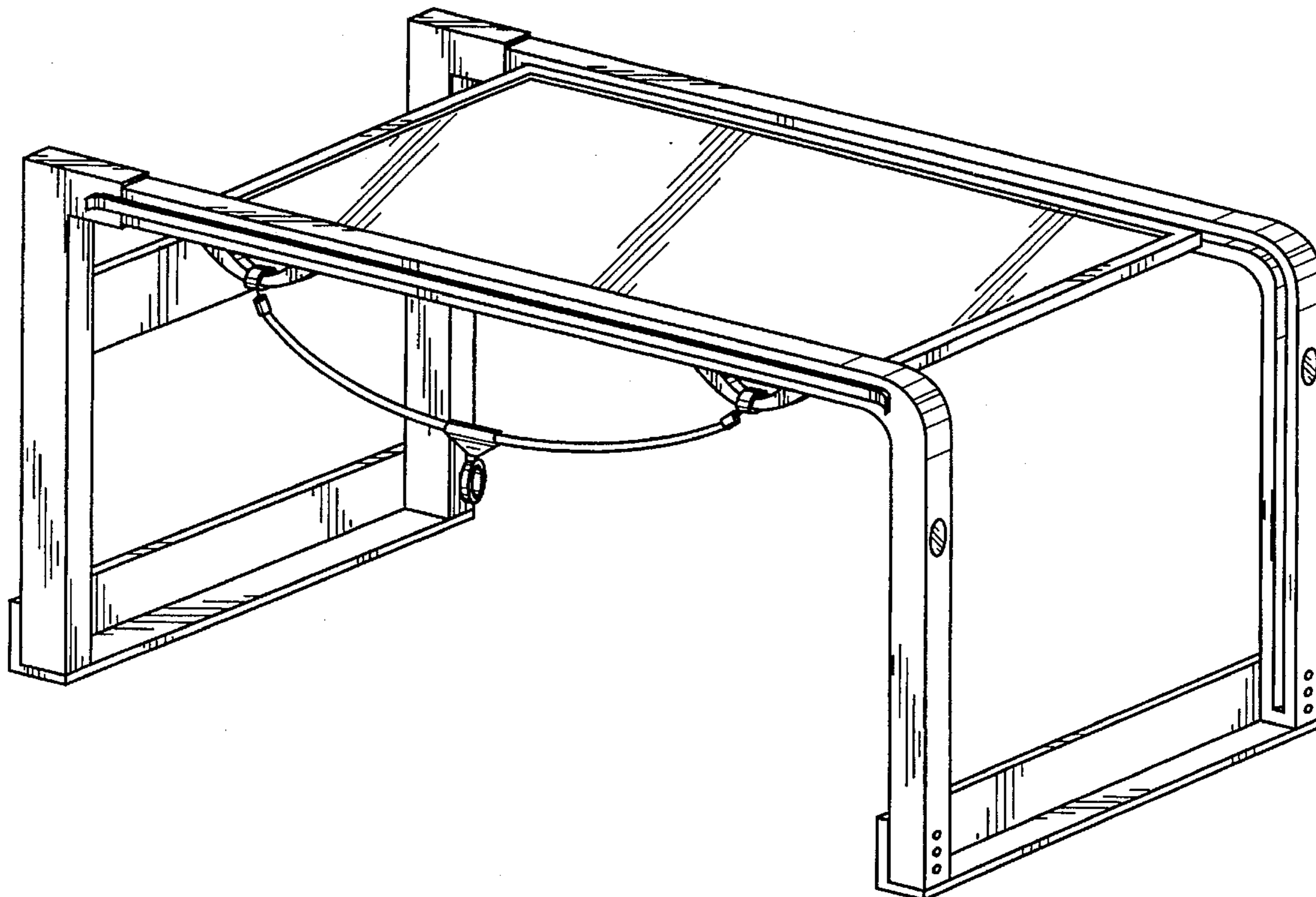
FIG. 5 is a right end view thereof;

FIG. 6 is a left end view thereof; and,

FIG. 7 is perspective view thereof.

The broken lines are for environmental purposes only and form no part of the claimed design.

1 Claim, 5 Drawing Sheets



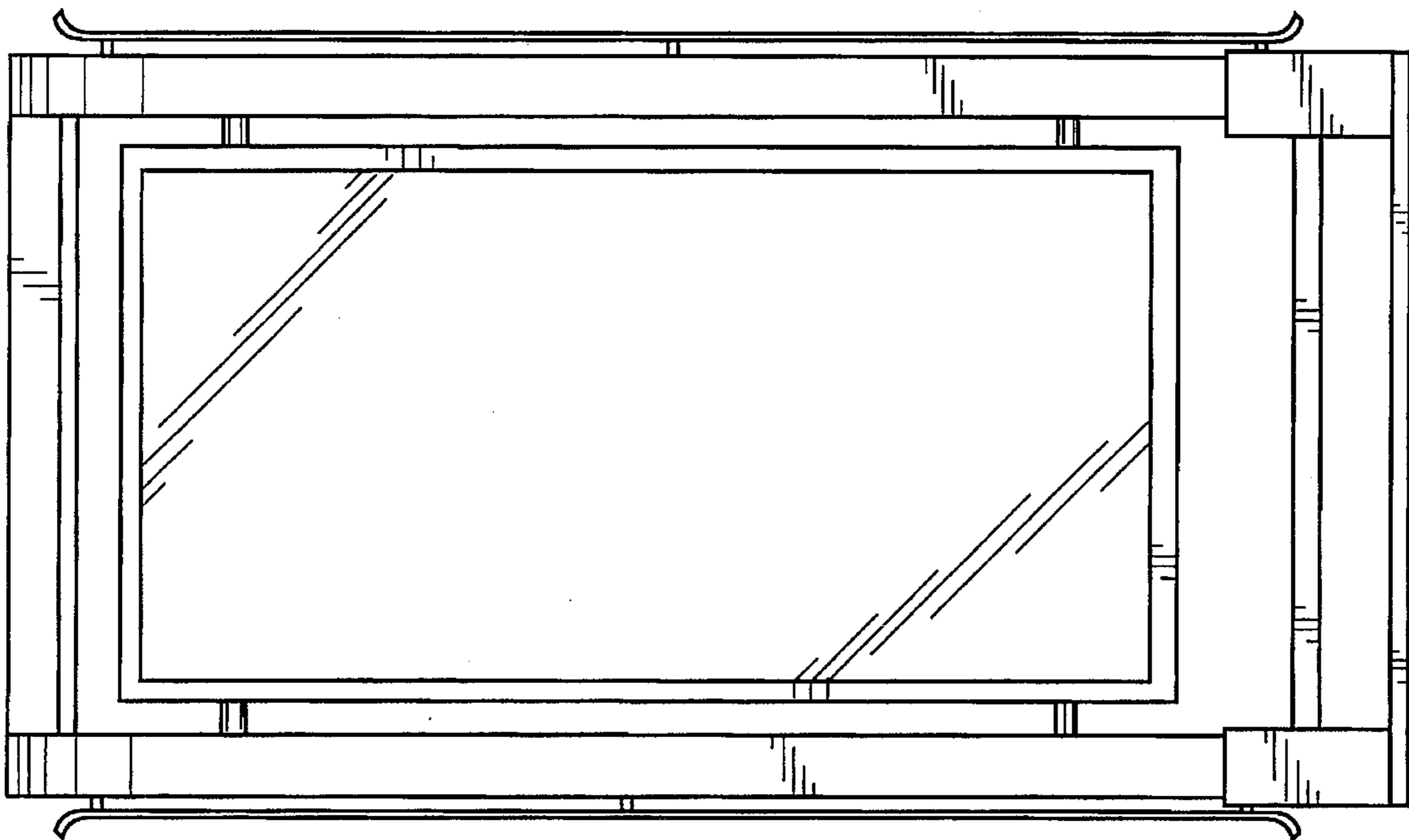


FIG. 1

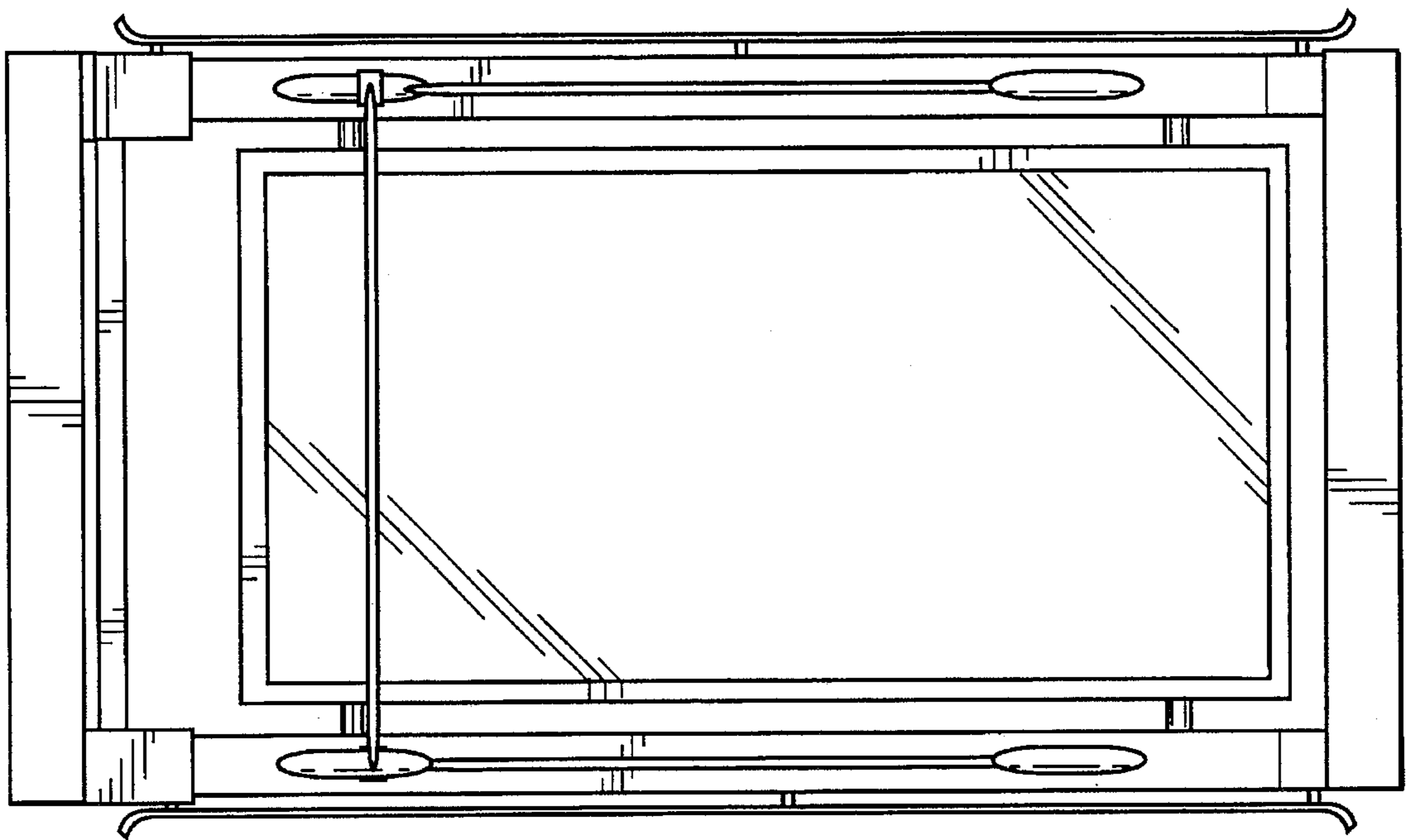


FIG. 2

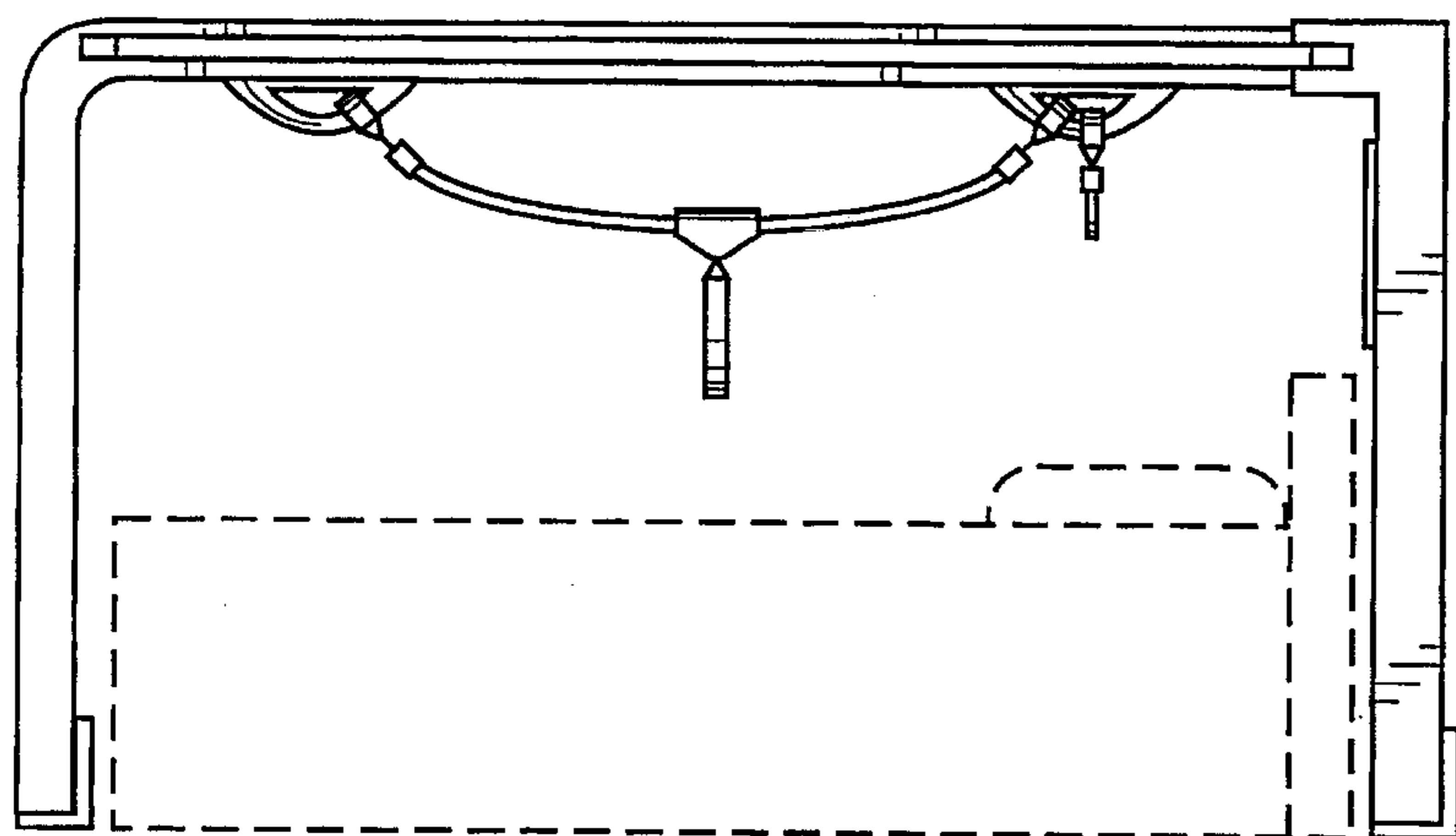


FIG. 3

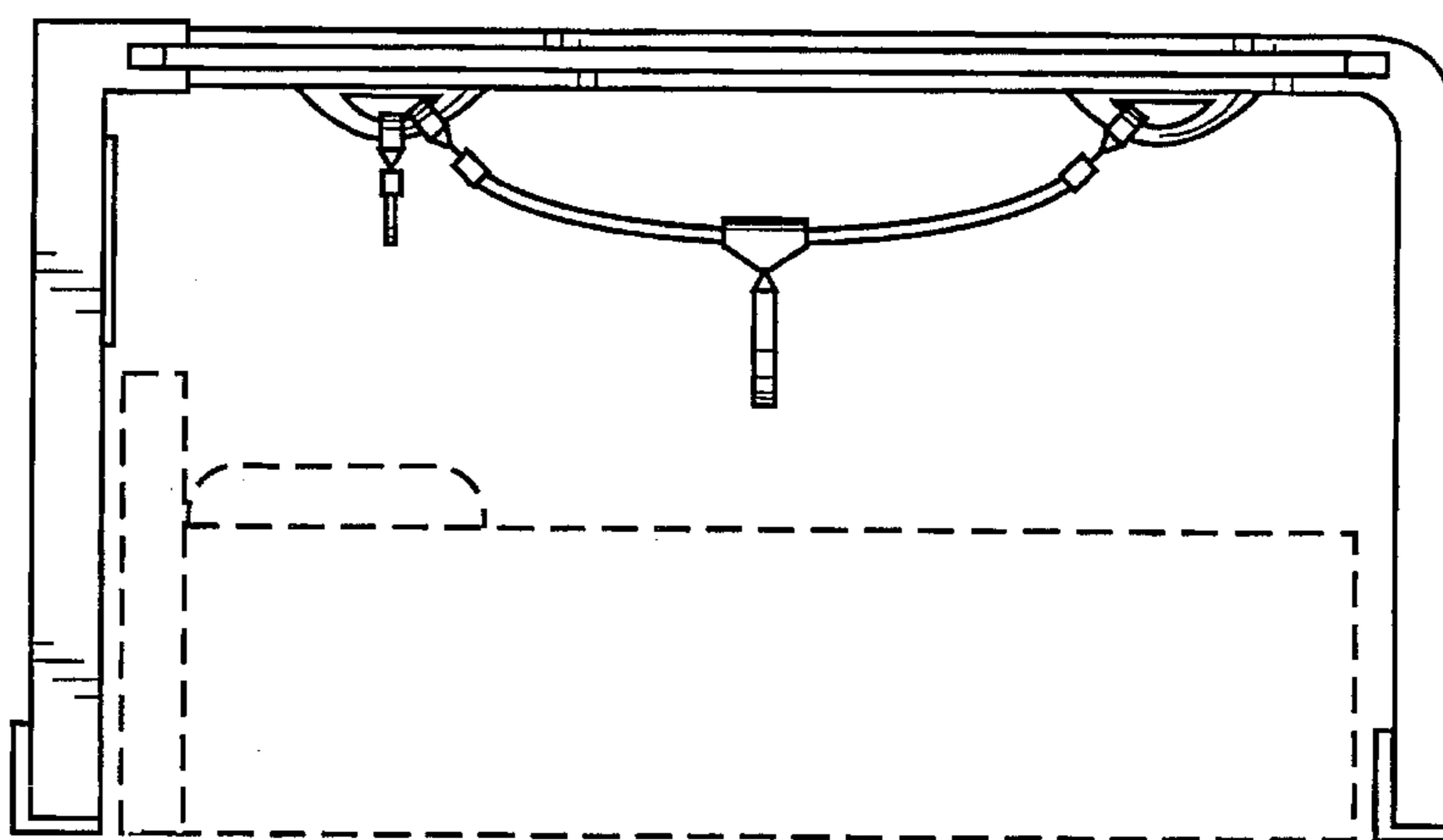


FIG. 4

FIG. 5

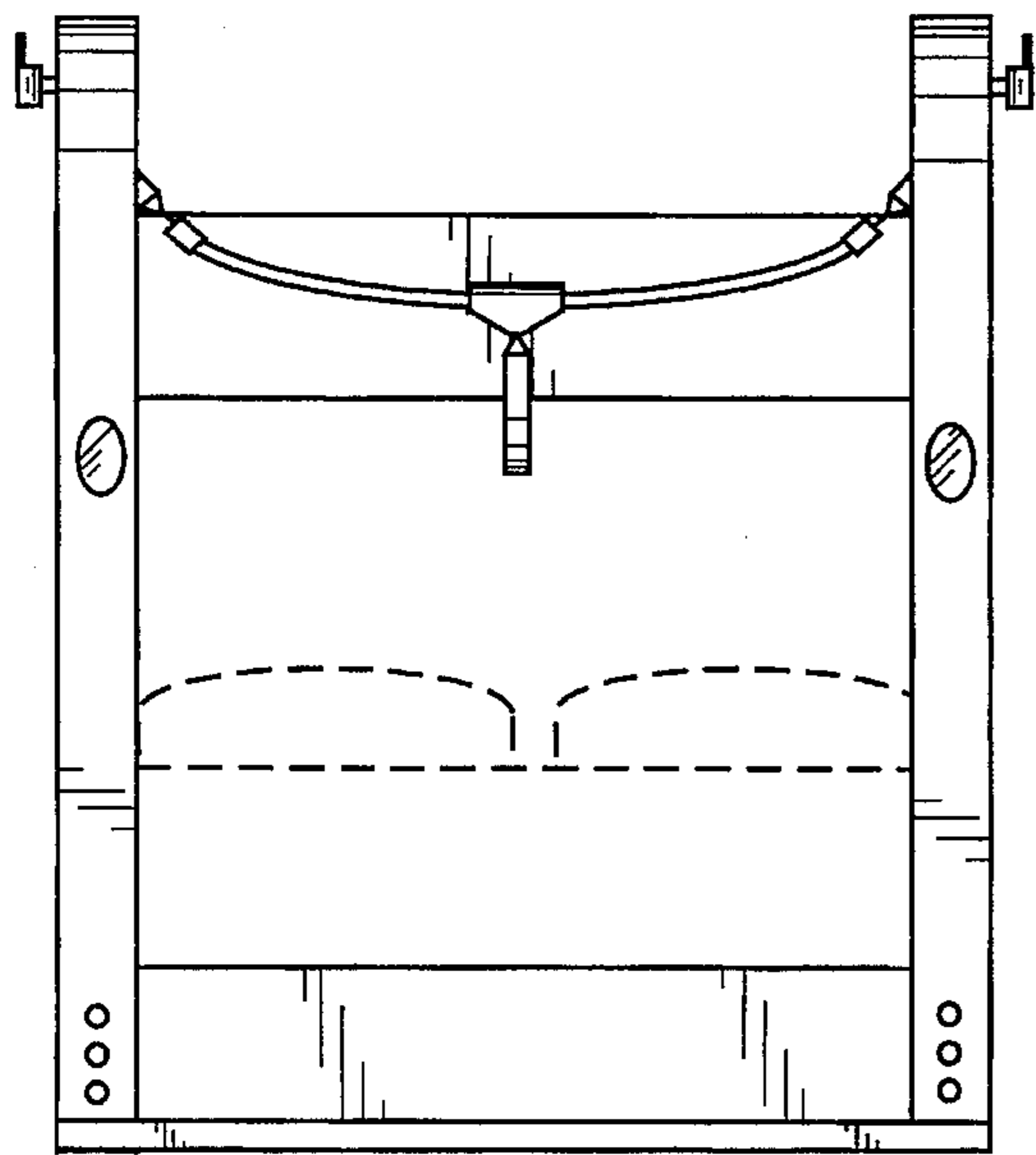
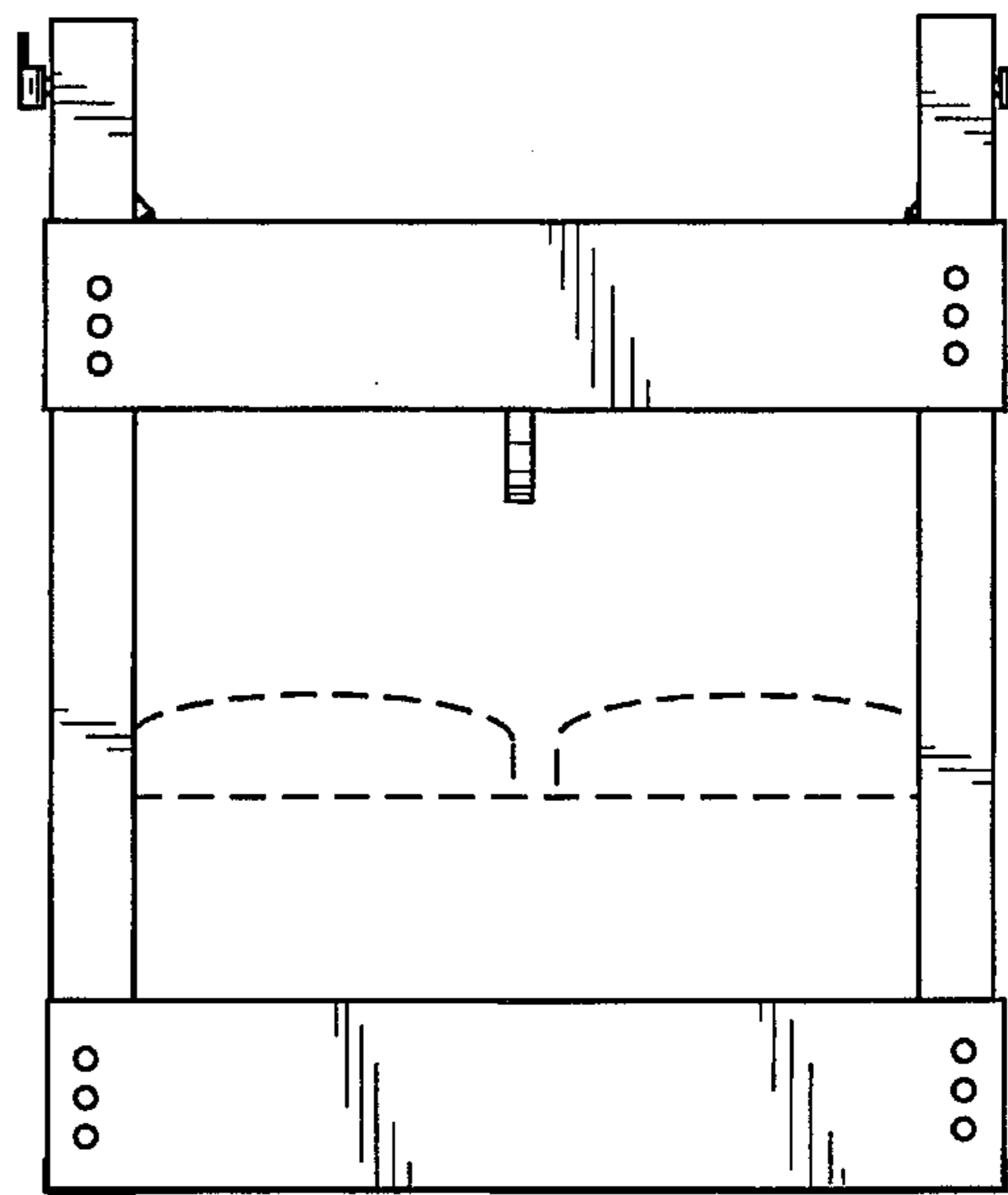


FIG. 6



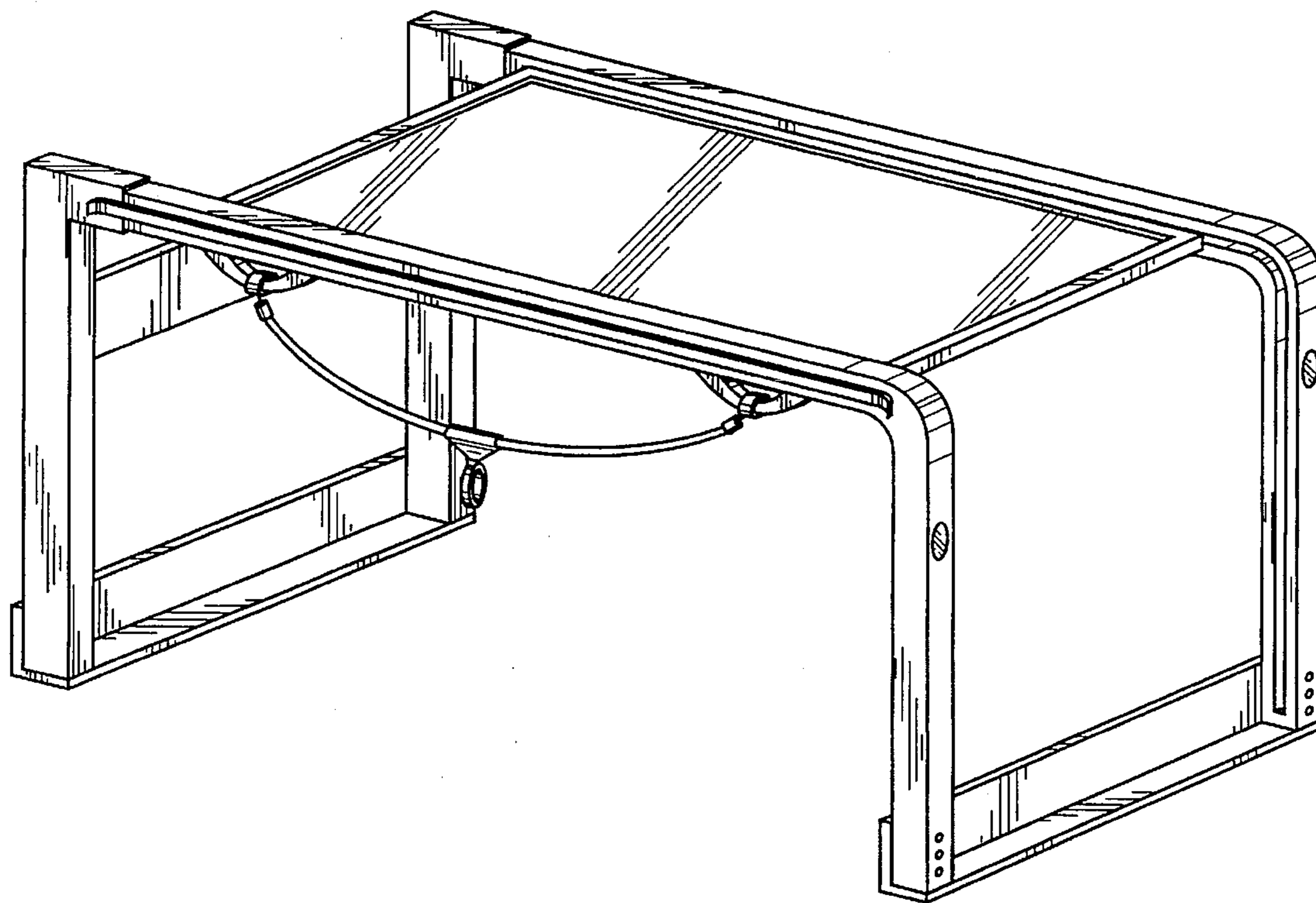


FIG. 7