



US00D375215S

United States Patent [19]

Smith

[11] Patent Number: **Des. 375,215**

[45] Date of Patent: ****Nov. 5, 1996**

[54] **TABLE**

[75] Inventor: **Stephen T. Smith**, Richmond, Australia

[73] Assignee: **Hartman Leisure Australia Pty Ltd**,
Australia

[**] Term: **14 Years**

[21] Appl. No.: **27,997**

[22] Filed: **Sep. 23, 1994**

[30] **Foreign Application Priority Data**

Mar. 25, 1994 [AU] Australia 955/94

[52] U.S. Cl. **D6/480**

[58] Field of Search D6/480-489, 495,
D6/497, 499; 108/153, 155, 157, 161

[56] **References Cited**

U.S. PATENT DOCUMENTS

D. 299,196 1/1989 Frinier D6/499

D. 334,313 3/1993 Grosfillex D6/487

OTHER PUBLICATIONS

Winston, 1991-1992, p. 20, table at lower left.
IKEA 1992, p. 136, #13 Sofiedal birch table in center.

Primary Examiner—Janice E. Seeger
Attorney, Agent, or Firm—Rothwell, Figg, Ernst & Kurz

[57] **CLAIM**

The ornamental design for a table, as shown and described.

DESCRIPTION

FIG. 1 is a perspective view of the table showing my new design;

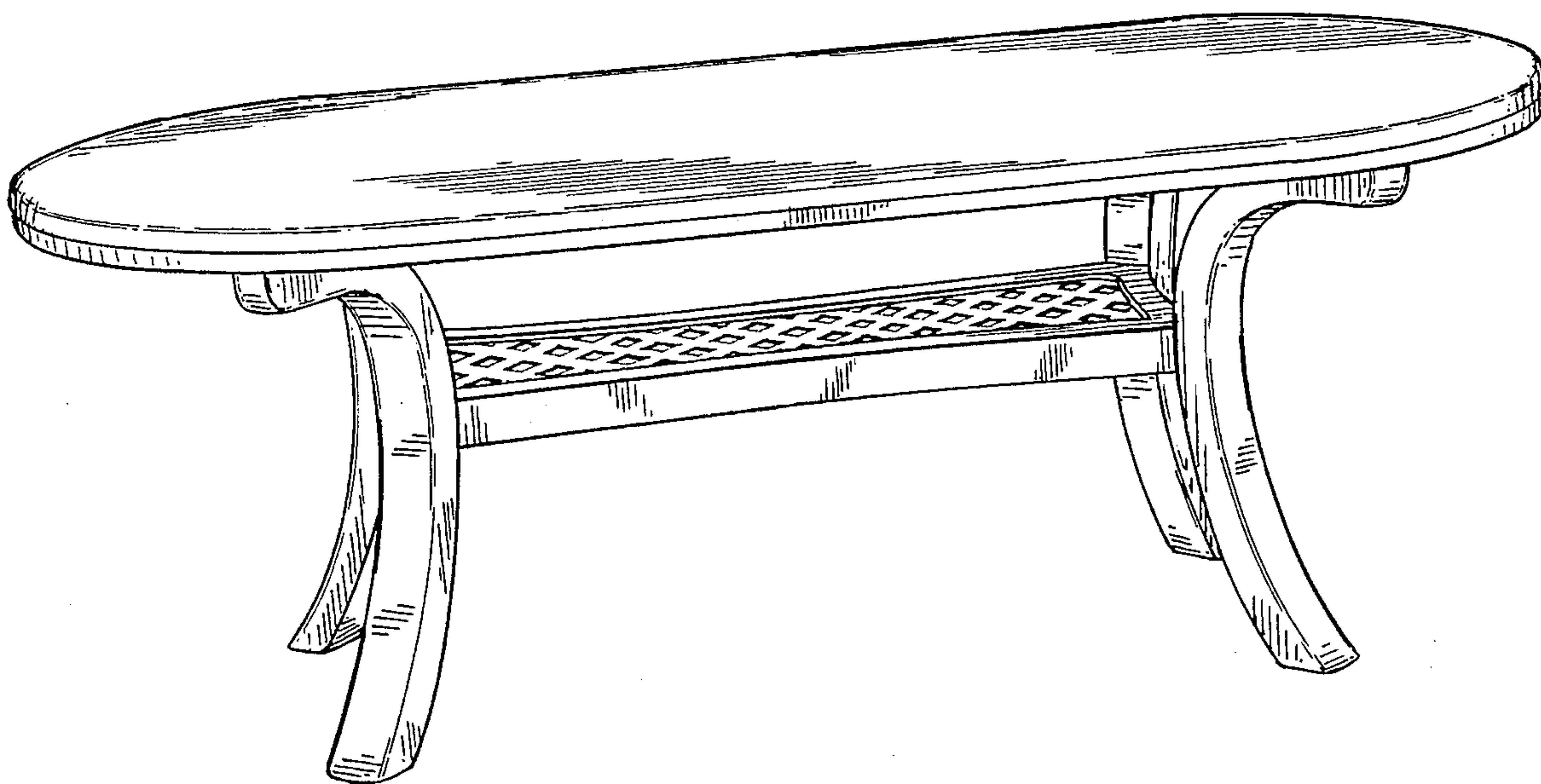
FIG. 2 is a top plan view thereof;

FIG. 3 is side elevational view which is a mirror image of the opposite side;

FIG. 4 is an end elevational view which is a mirror image of the opposite end; and,

FIG. 5 is bottom plan view.

1 Claim, 4 Drawing Sheets



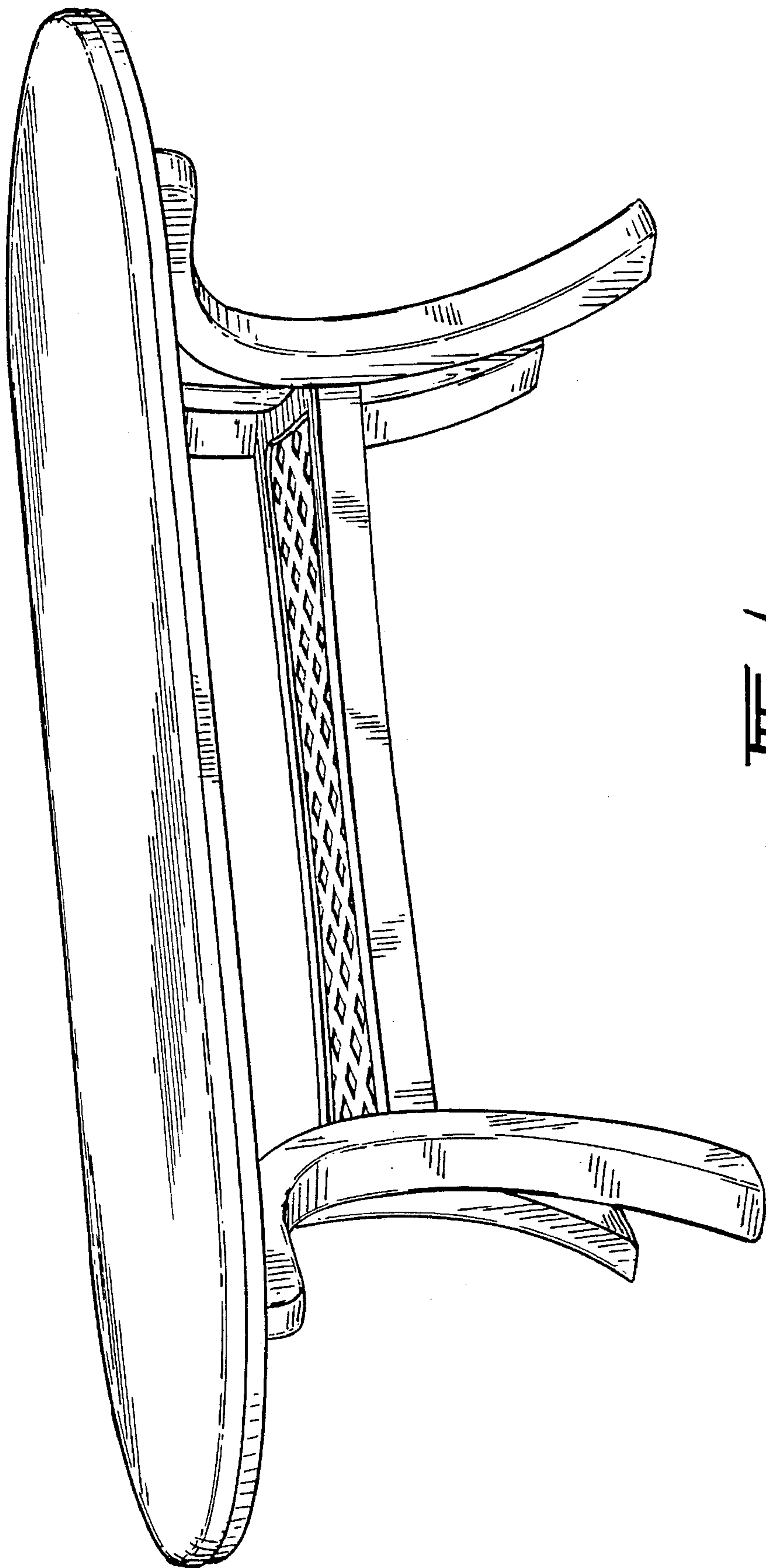
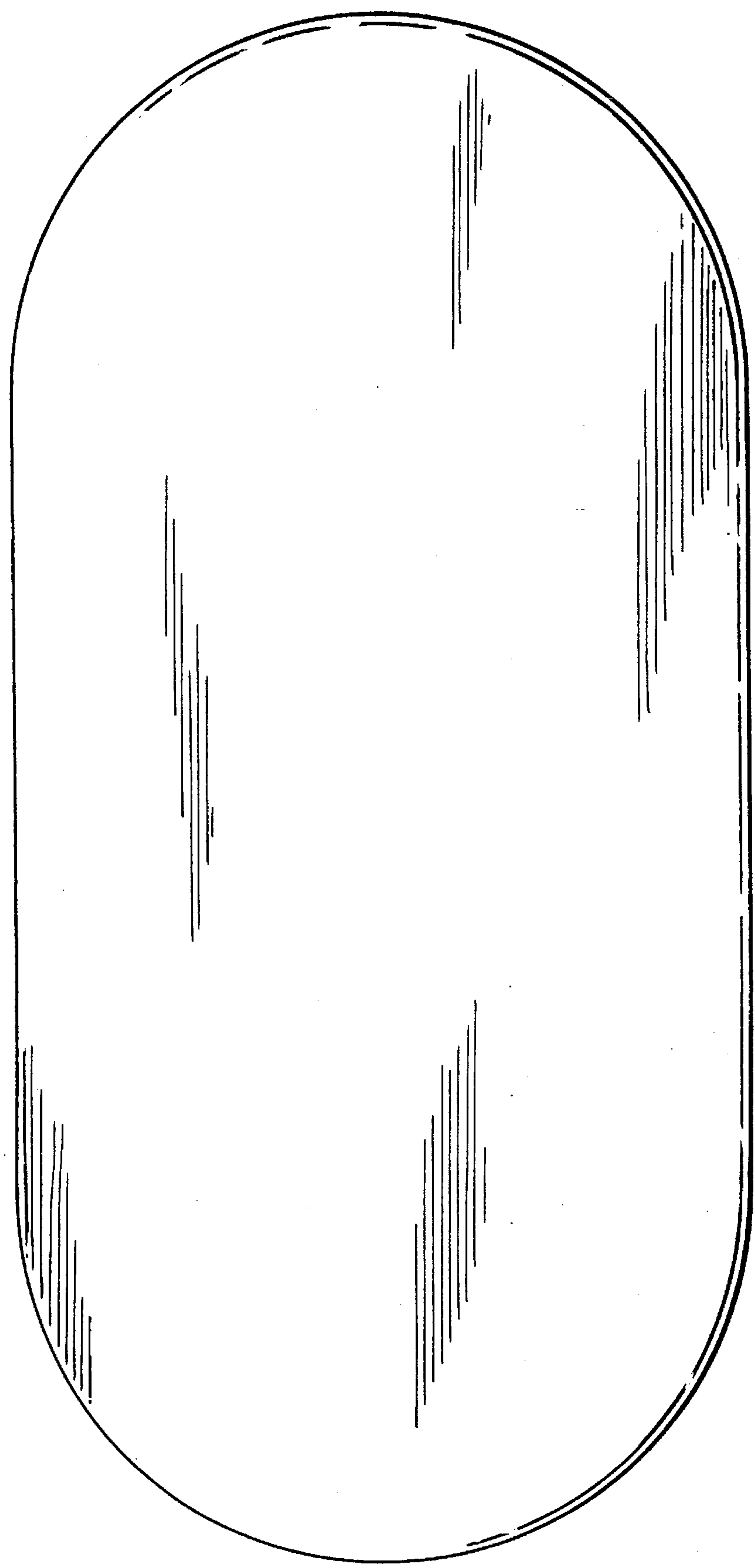
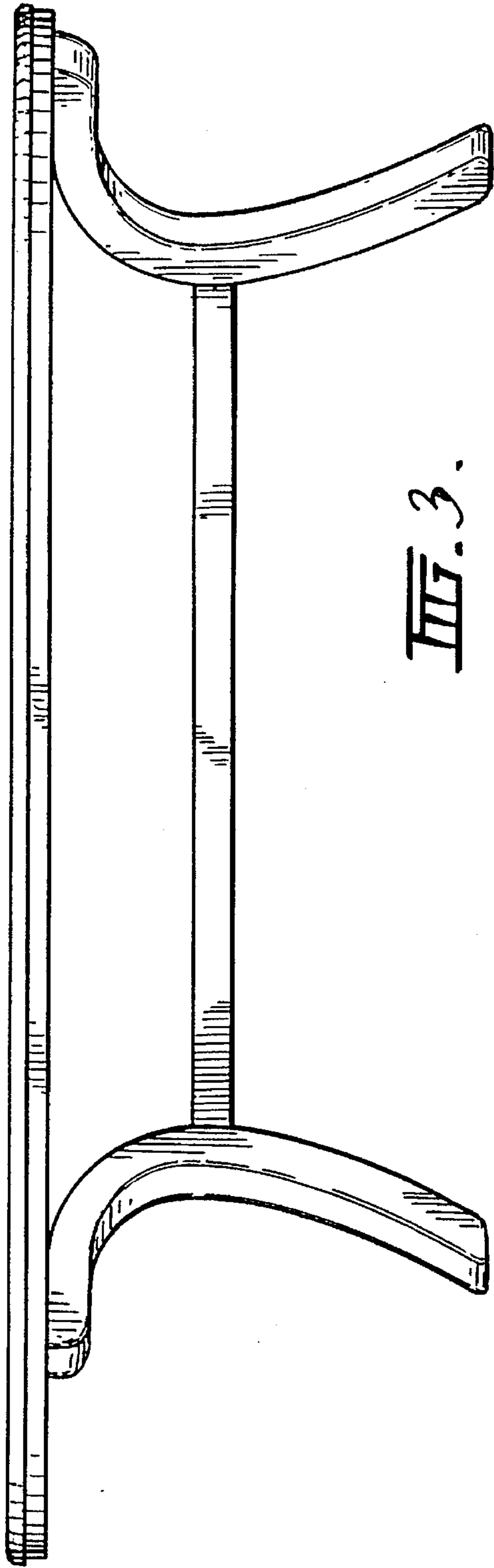


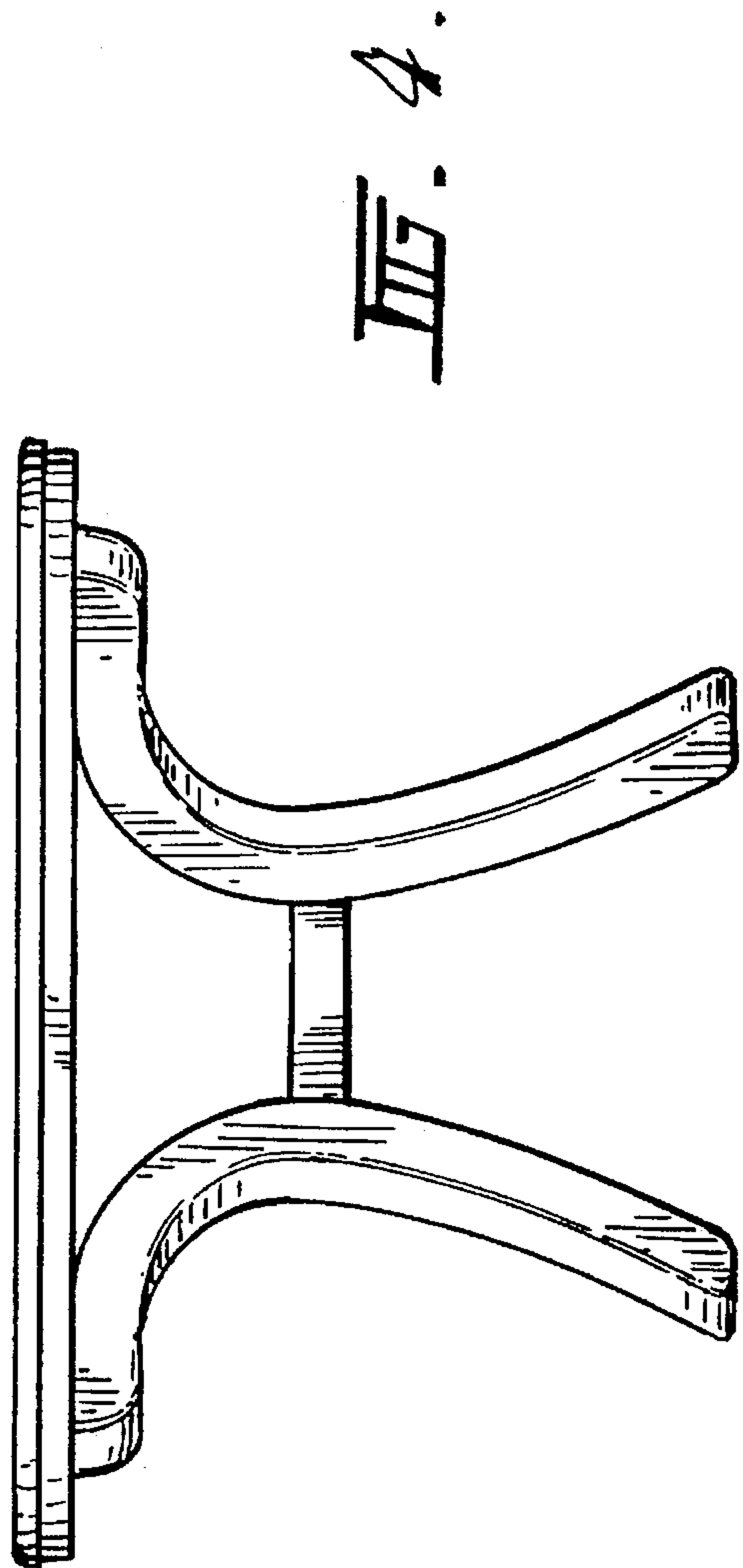
FIG. 1.



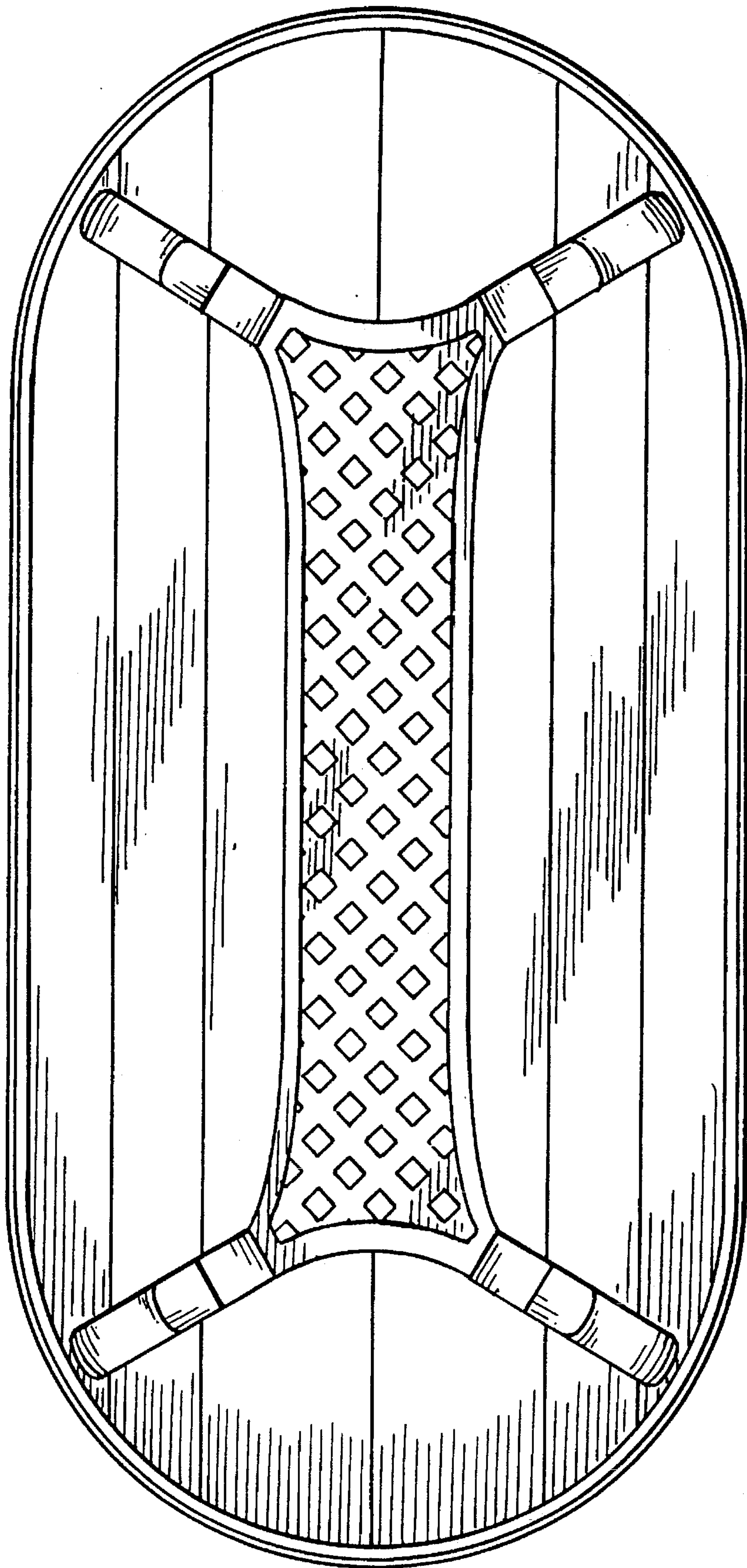
III. 2.



III.3.



III.4.



III.5.