



US00D375214S

# United States Patent [19]

Decker et al.

[11] Patent Number: **Des. 375,214**

[45] Date of Patent: **\*\*Nov. 5, 1996**

[54] **RACK FOR SUPPORTING CONTAINERS**

[75] Inventors: **James D. Decker; James L. Copeland,**  
both of Apple Valley; **Scott R. Olson,**  
Eagan, all of Minn.

[73] Assignee: **Ecolab Inc.,** St. Paul, Minn.

[\*\*] Term: **14 Years**

[21] Appl. No.: **48,085**

[22] Filed: **Dec. 20, 1995**

[52] U.S. Cl. .... **D6/462**

[58] Field of Search ..... D6/458, 462, 13,  
D6/10, 11, 45; 211/126, 133, 134, 135,  
181, 186; 248/175; 220/DIG. 13, DIG. 14

[56] **References Cited**

**U.S. PATENT DOCUMENTS**

D. 250,500	12/1978	Marks	.....	D6/465	X
D. 264,650	6/1982	Adamson	.....	D6/449	
D. 314,097	1/1991	Buist	.....	D6/458	
D. 329,954	10/1992	Sharon et al.	.....	D6/462	

1,712,192	5/1929	Anderson	.....	248/175	X
4,819,899	4/1989	Weil	.....	211/133	X
5,215,199	6/1993	Bejarano	.....	211/181	X

*Primary Examiner*—James M. Gandy  
*Assistant Examiner*—Linda Brooks  
*Attorney, Agent, or Firm*—Merchant, Gould, Smith, Edell,  
Welter & Schmidt, P.A.

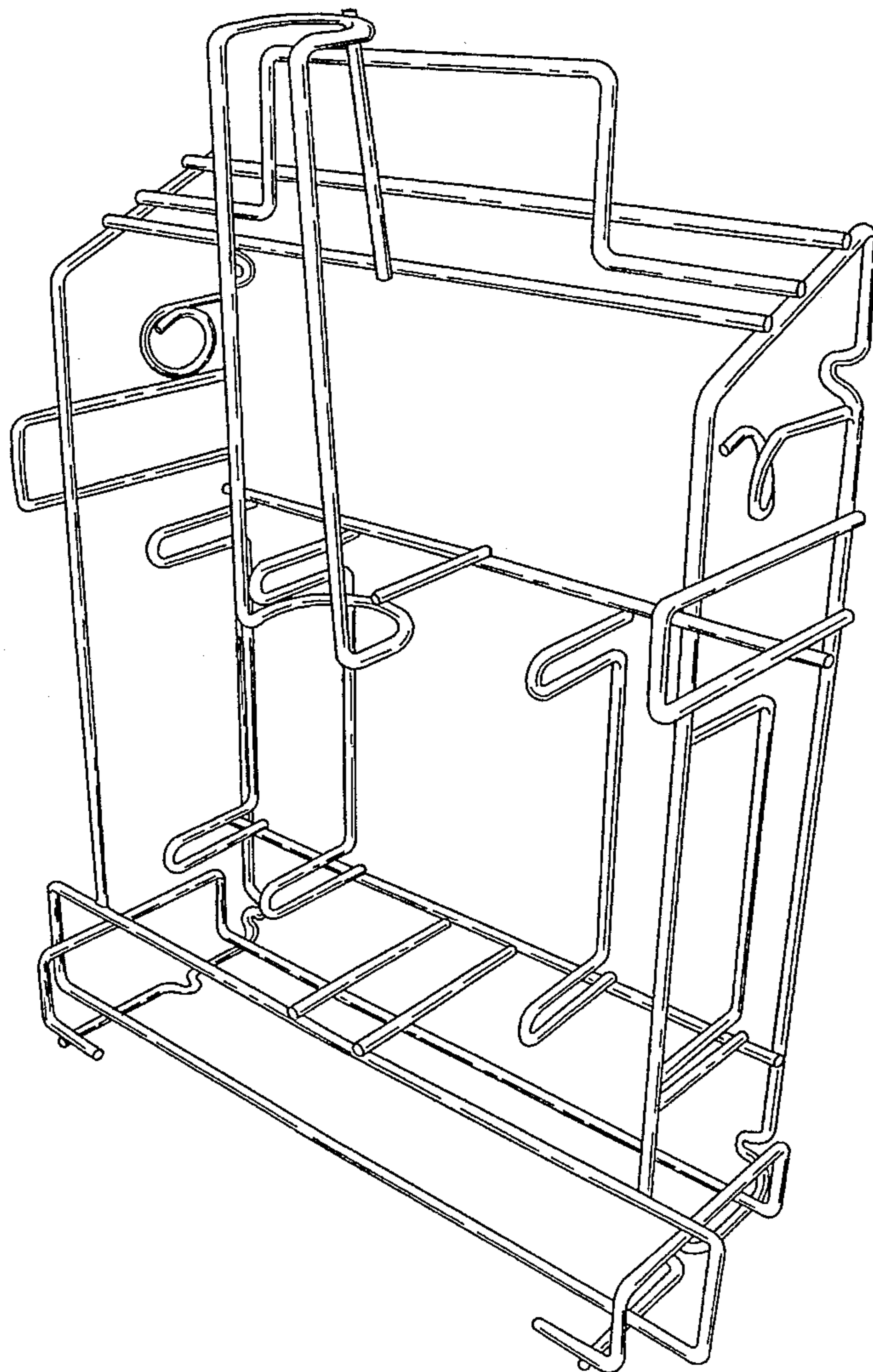
[57] **CLAIM**

The ornamental design for a rack for supporting containers,  
as shown and described.

**DESCRIPTION**

FIG. 1 is a perspective view of the rack;  
FIG. 2 is a rear elevational view of the rack;  
FIG. 3 is a top plan view of the rack;  
FIG. 4 is a bottom plan view of the rack;  
FIG. 5 is a side elevational view of the rack;  
FIG. 6 is a front elevational view of the rack; and,  
FIG. 7 is a side elevational view of the rack, on the side  
opposite from that shown in FIG. 5.

**1 Claim, 3 Drawing Sheets**



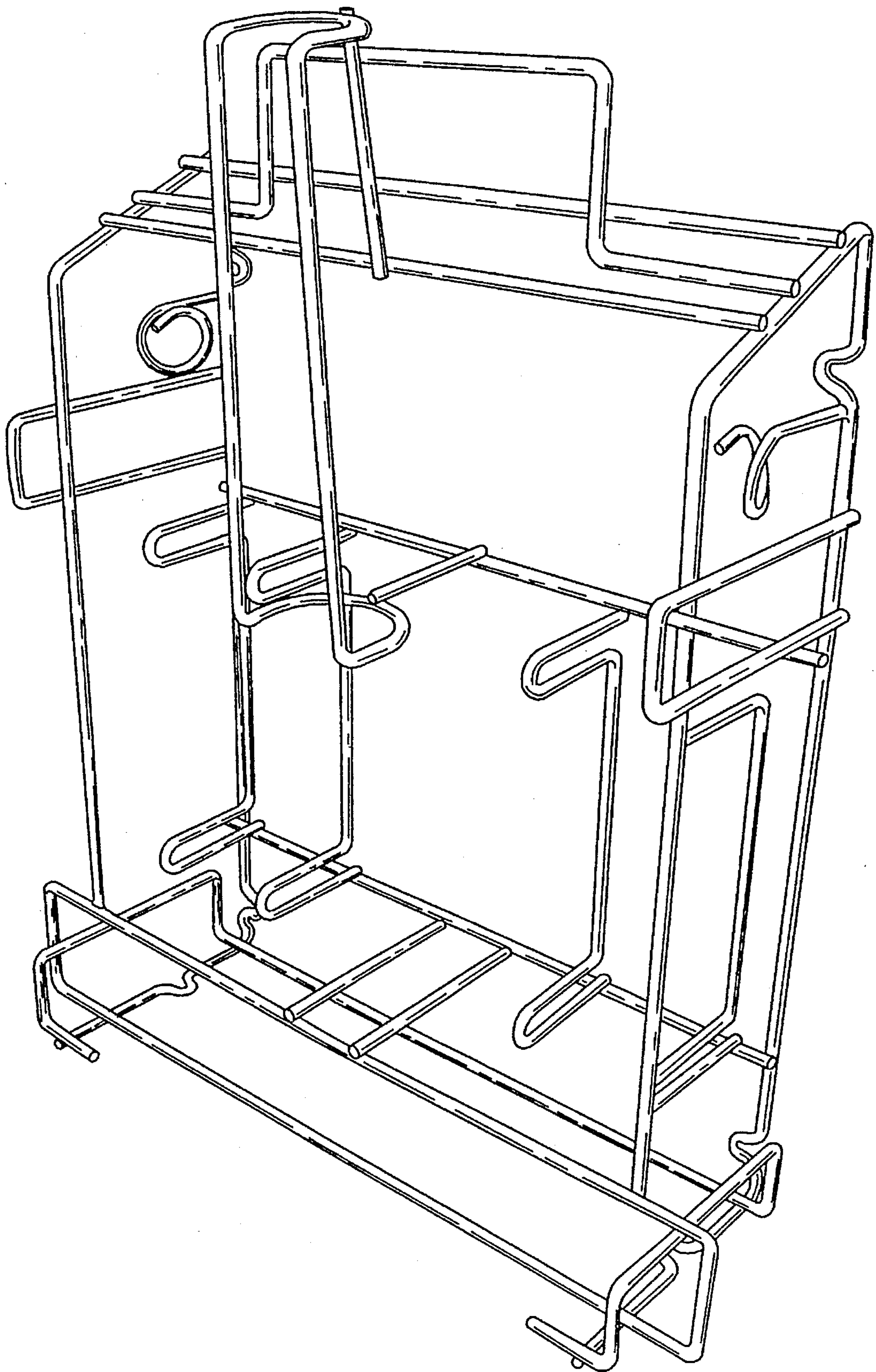


FIG. 1

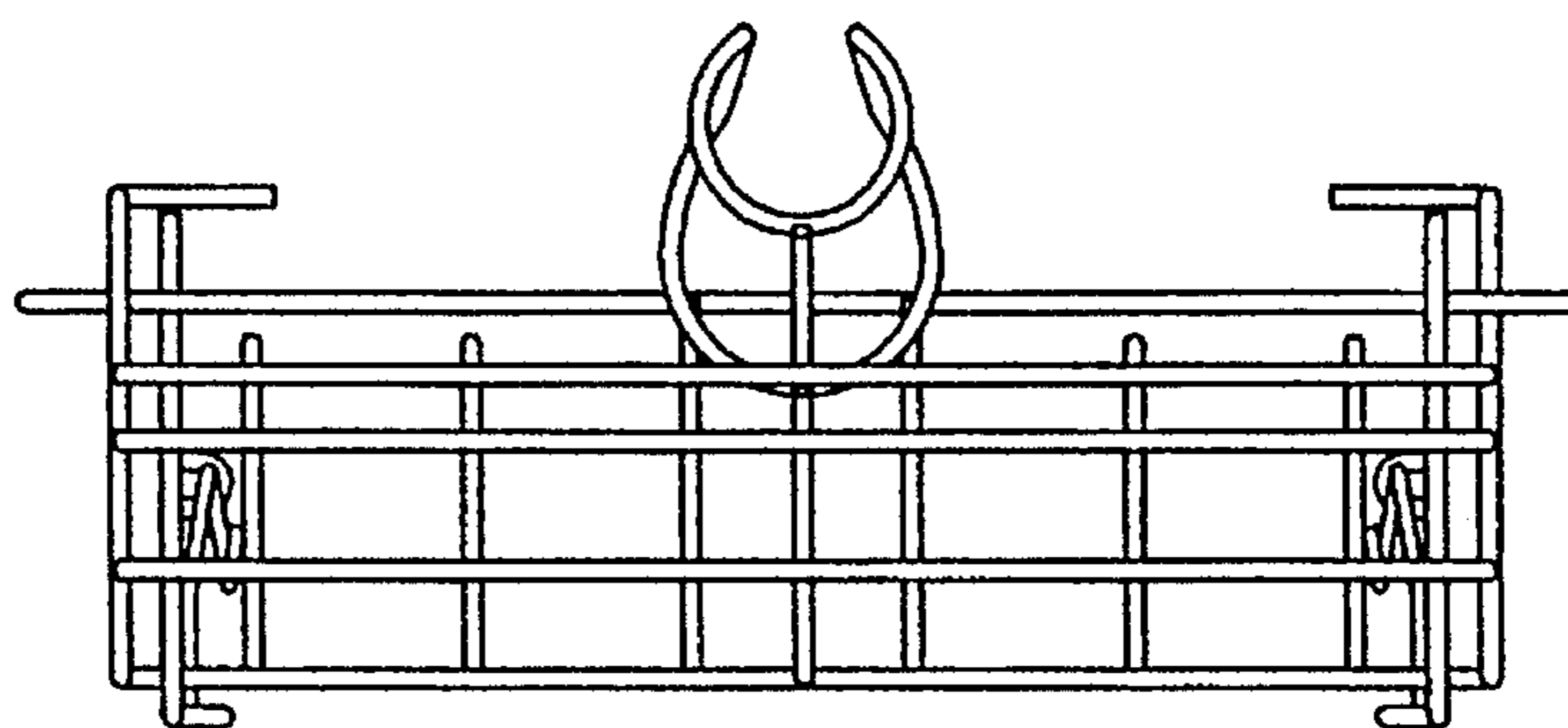


FIG. 3

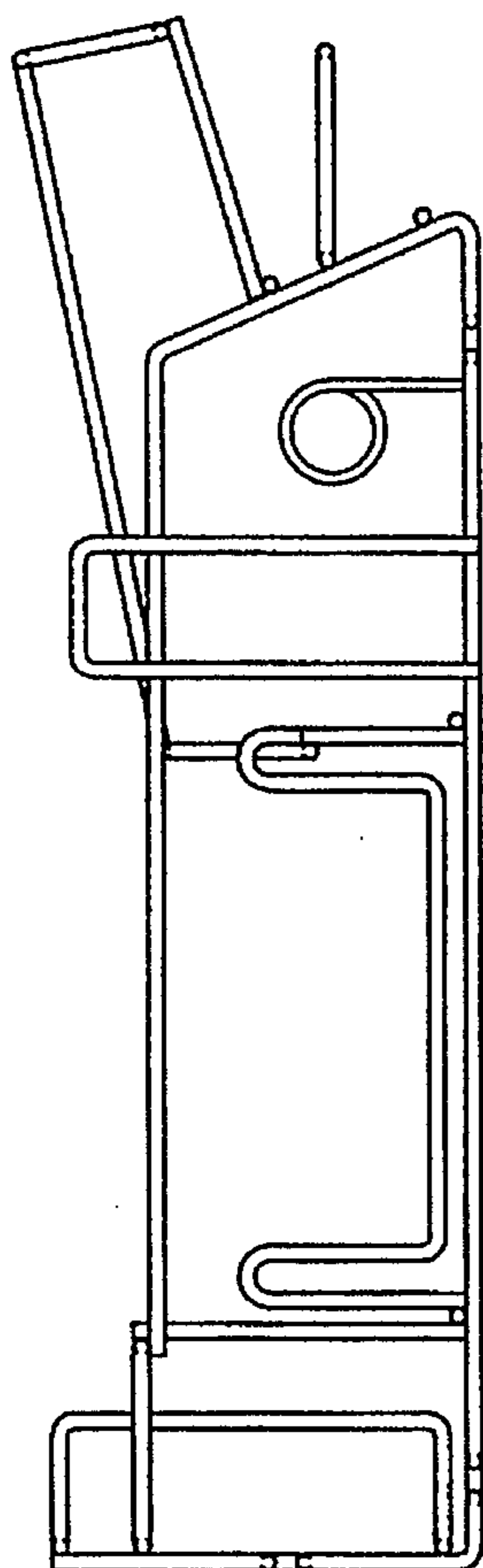


FIG. 7

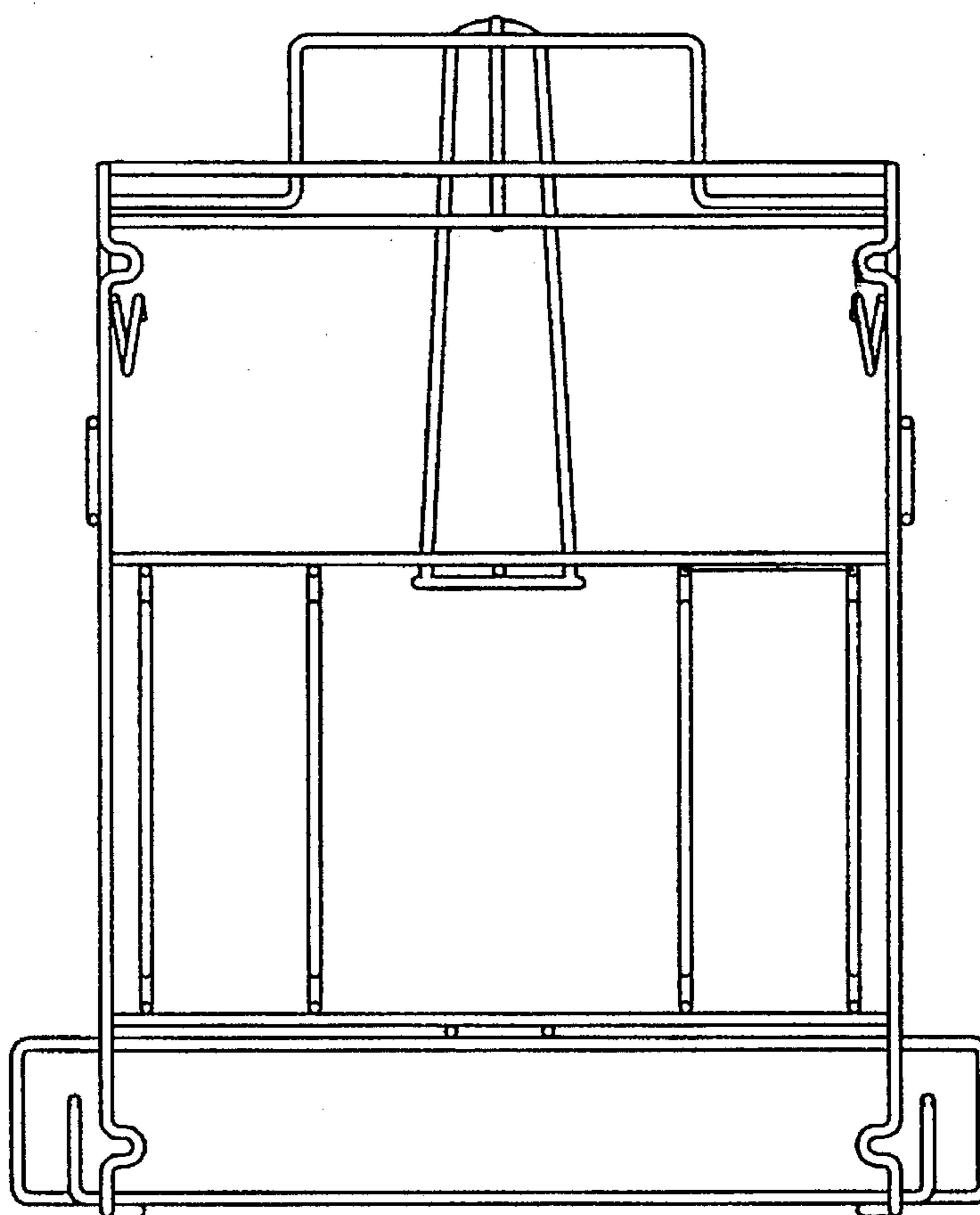


FIG. 2

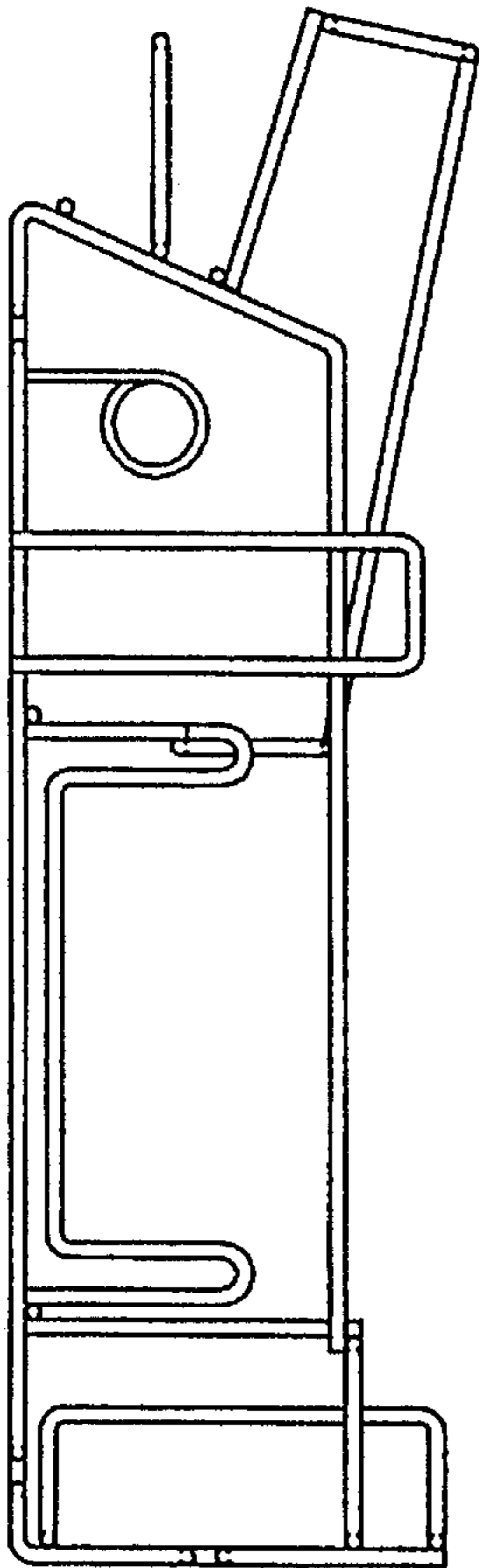


FIG. 5

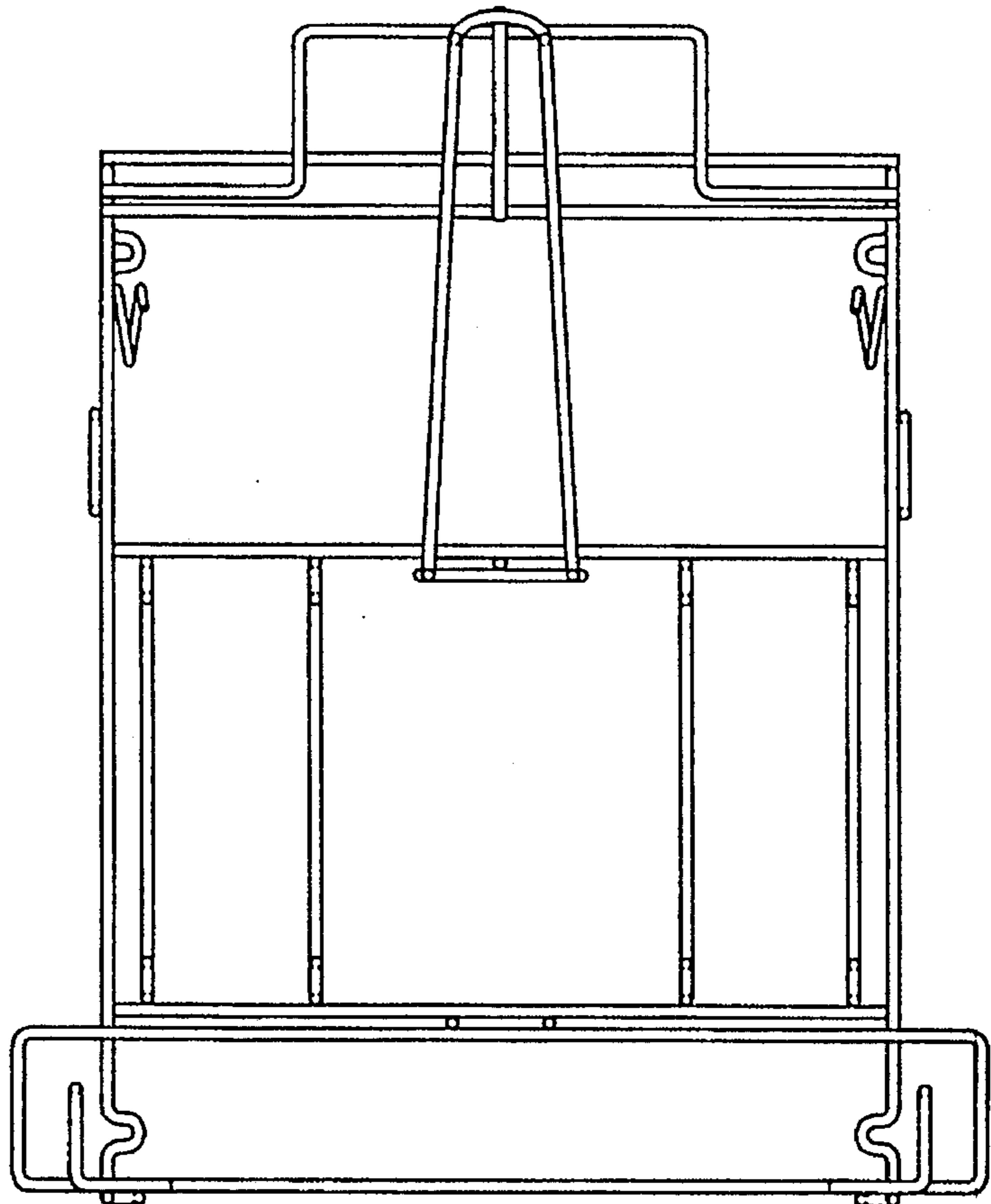


FIG. 6

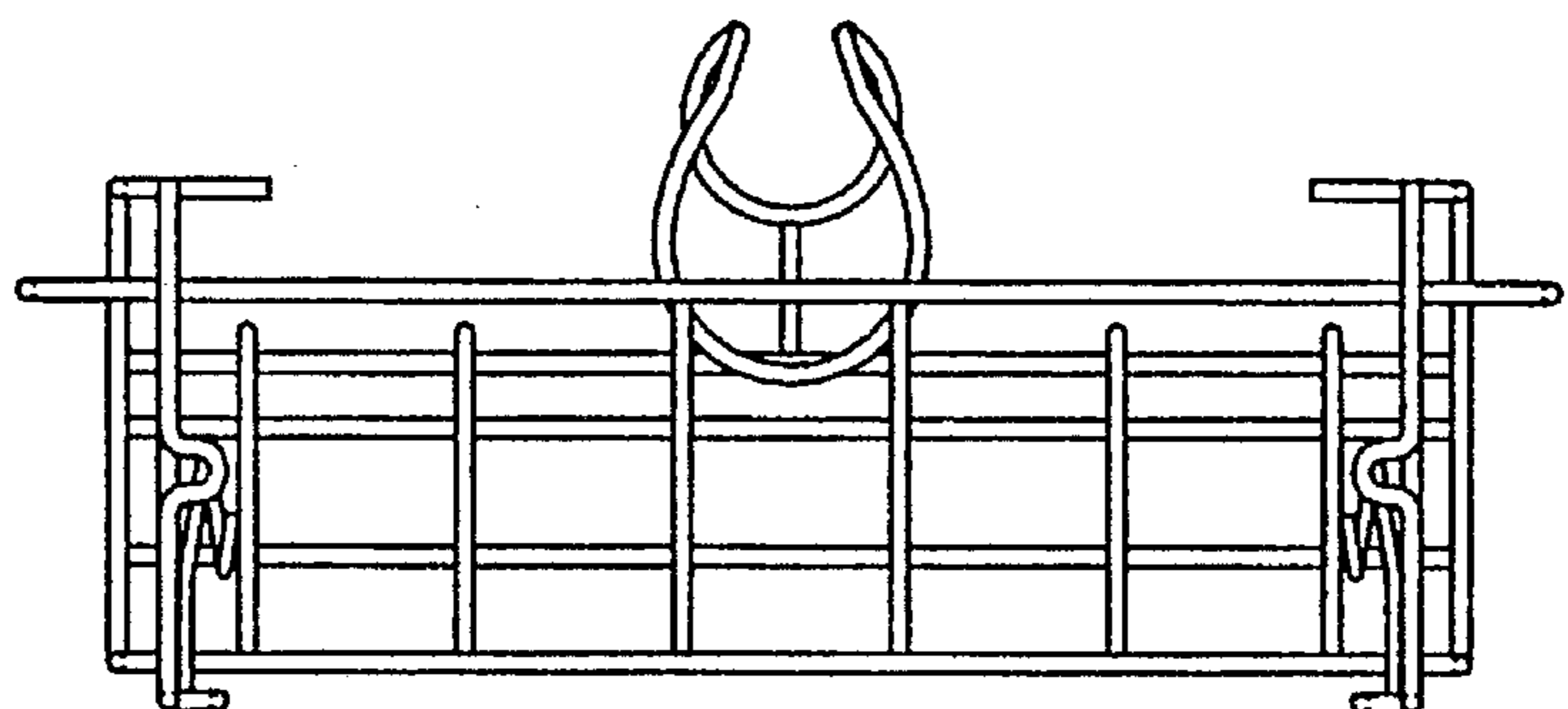


FIG. 4