



US00D375212S

United States Patent [19] Colquhoun

[11] Patent Number: **Des. 375,212**

[45] Date of Patent: ****Nov. 5, 1996**

[54] **COLLAPSIBLE TABLE**

[76] Inventor: **Ross M. Colquhoun**, 9600 26th Ave. NW., Seattle, Wash. 98117

[**] Term: **14 Years**

[21] Appl. No.: **35,086**

[22] Filed: **Feb. 21, 1995**

[52] U.S. Cl. **D6/429**

[58] Field of Search D6/421-431, 419, D6/420; 312/194-196; 108/59, 60, 64, 11

[56] **References Cited**

U.S. PATENT DOCUMENTS

D. 171,856	3/1954	Mont	D6/430
D. 178,094	6/1956	Van Koert	D6/430
D. 215,665	10/1969	Gjede	D6/419
D. 217,683	5/1970	Nation	D6/419
D. 269,753	7/1983	Offredi	D6/430
D. 297,079	8/1988	Weldon	D6/429
D. 323,252	1/1992	Anske	D6/429

OTHER PUBLICATIONS

Evans 1987/1988 p. 237; student desk item #4, bottom left on page.

Primary Examiner—Carmen H. Vales-Lado
Attorney, Agent, or Firm—Bereskin & Parr

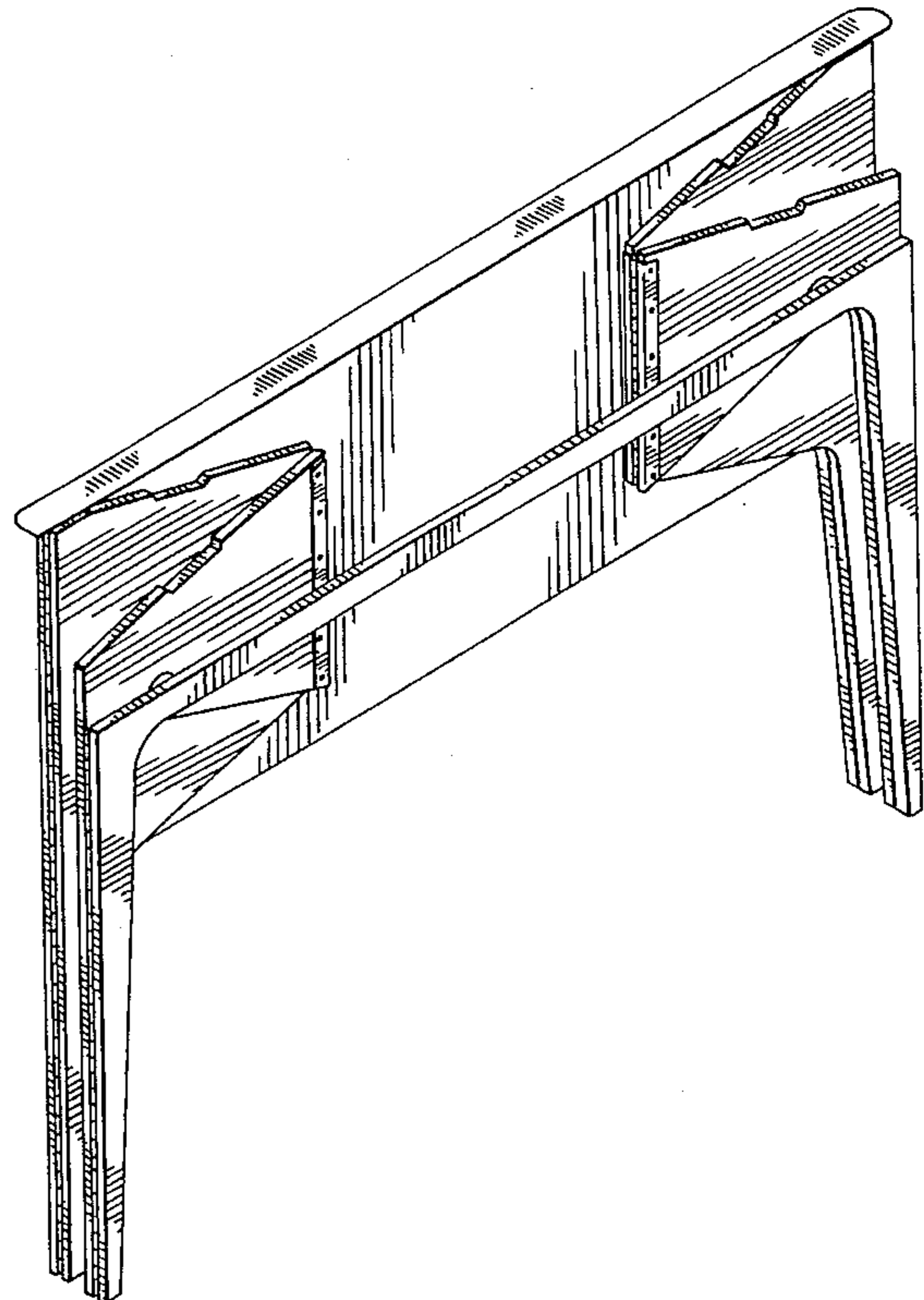
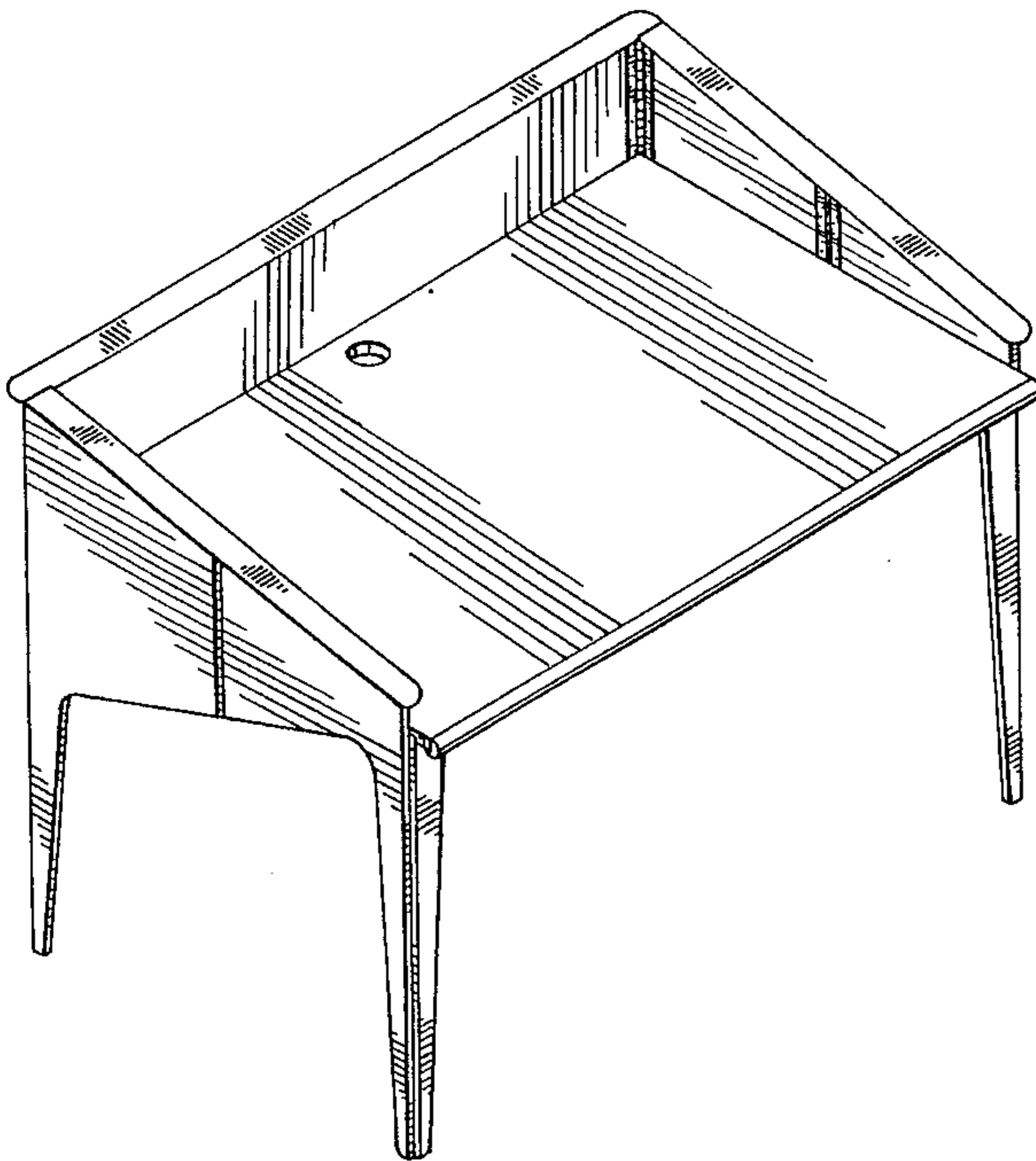
[57] **CLAIM**

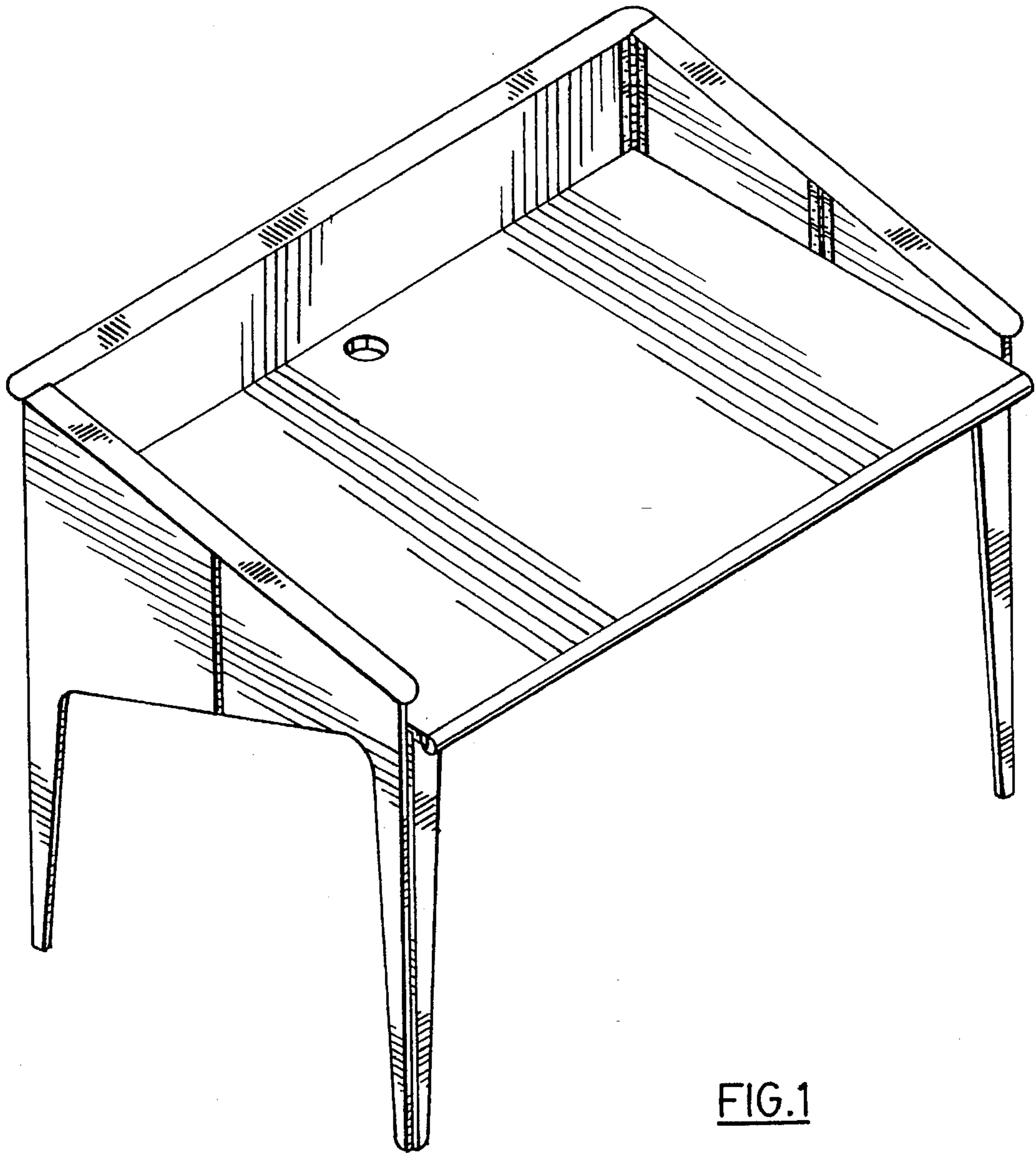
The ornamental design for a collapsible table, as shown and described.

DESCRIPTION

FIG. 1 is a top perspective view of a collapsible table showing my new design;
FIG. 2 is a bottom perspective view thereof;
FIG. 3 is a front elevational view thereof;
FIG. 4 is a top plan view thereof;
FIG. 5 is a bottom plan view thereof;
FIG. 6 is a left side elevational view thereof;
FIG. 7 is a right side elevational view thereof;
FIG. 8 is a rear elevational view thereof; and,
FIG. 9 is a top perspective view of the table in collapsed condition; the top and rails removed for convenience of illustration.

1 Claim, 6 Drawing Sheets





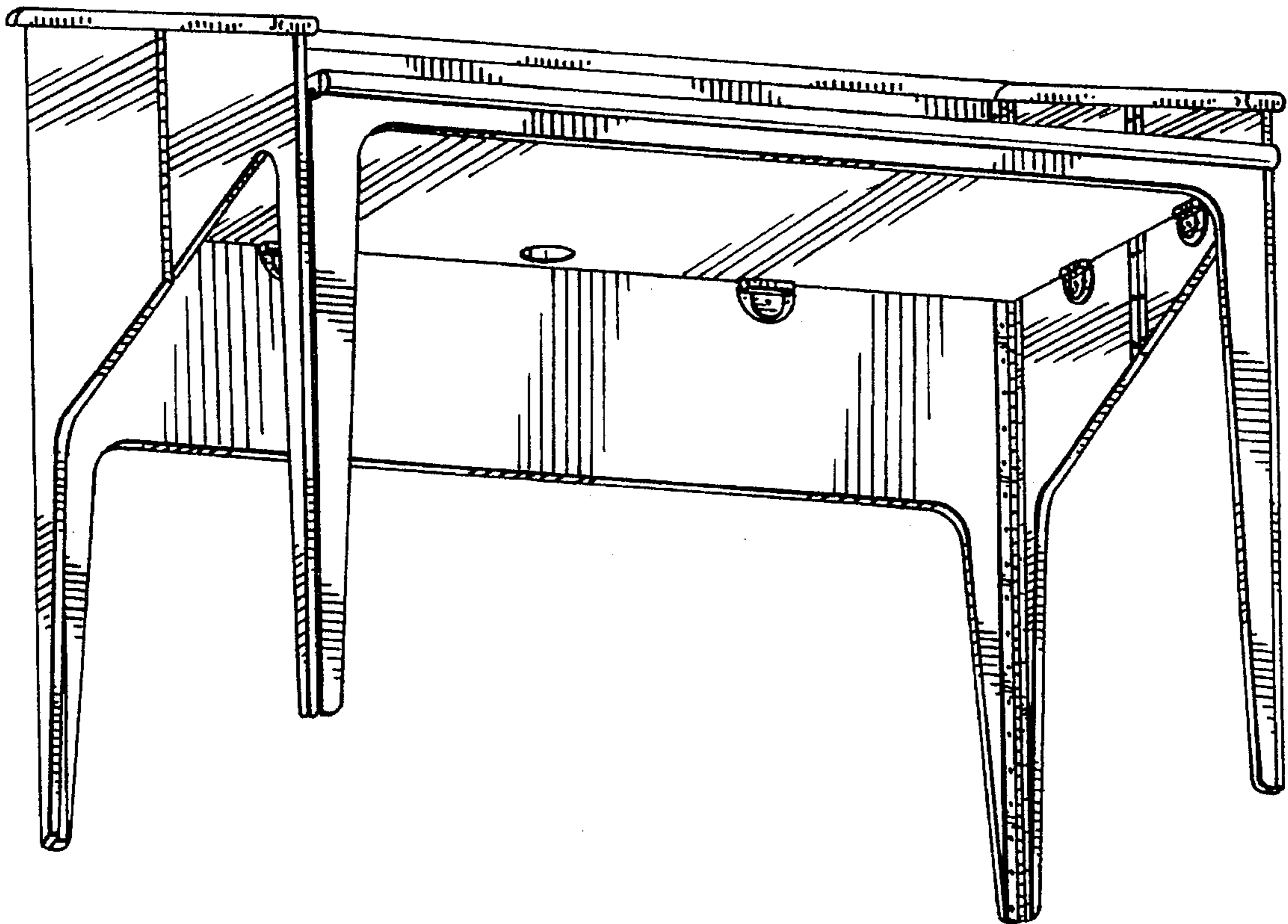


FIG. 2

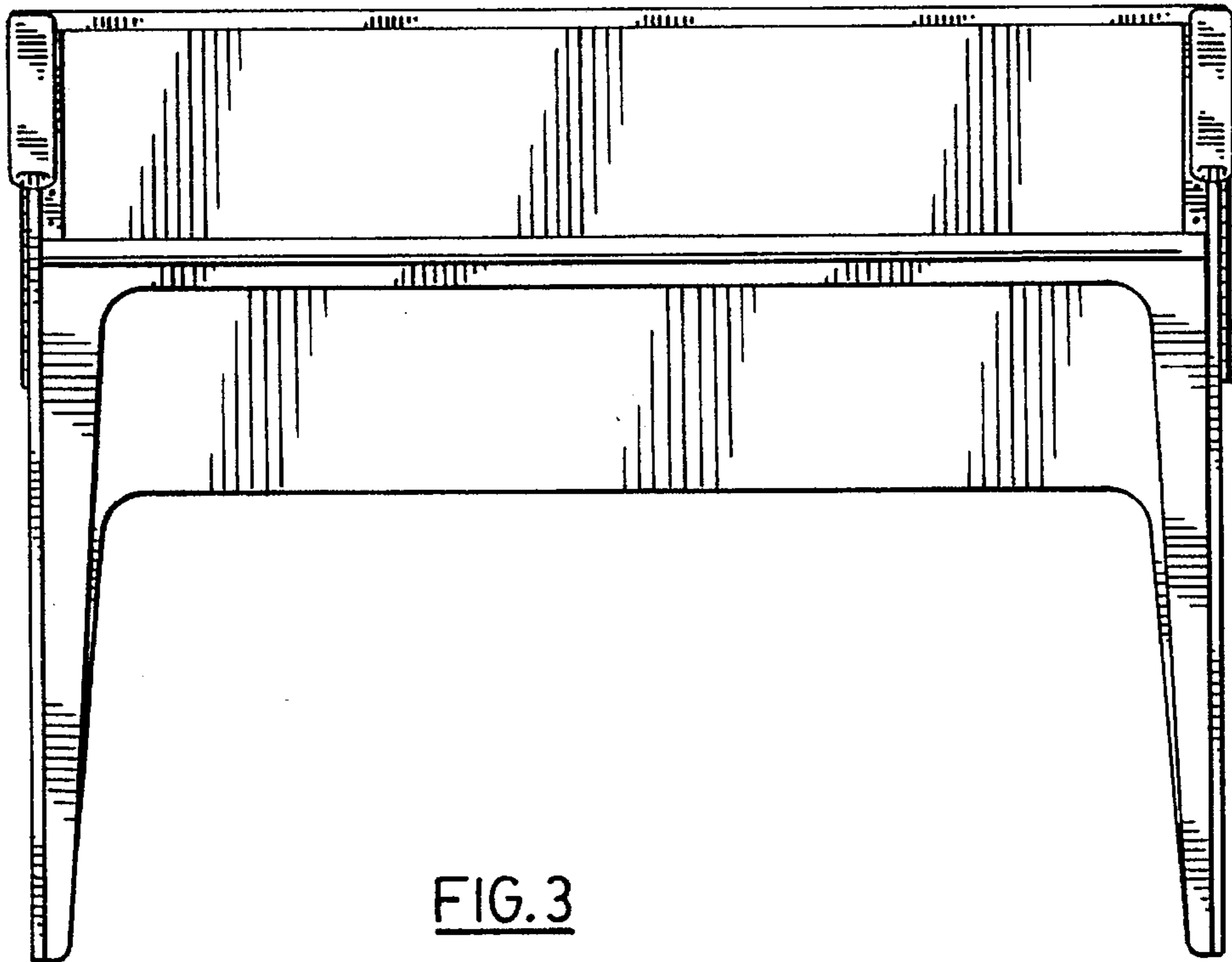


FIG. 3

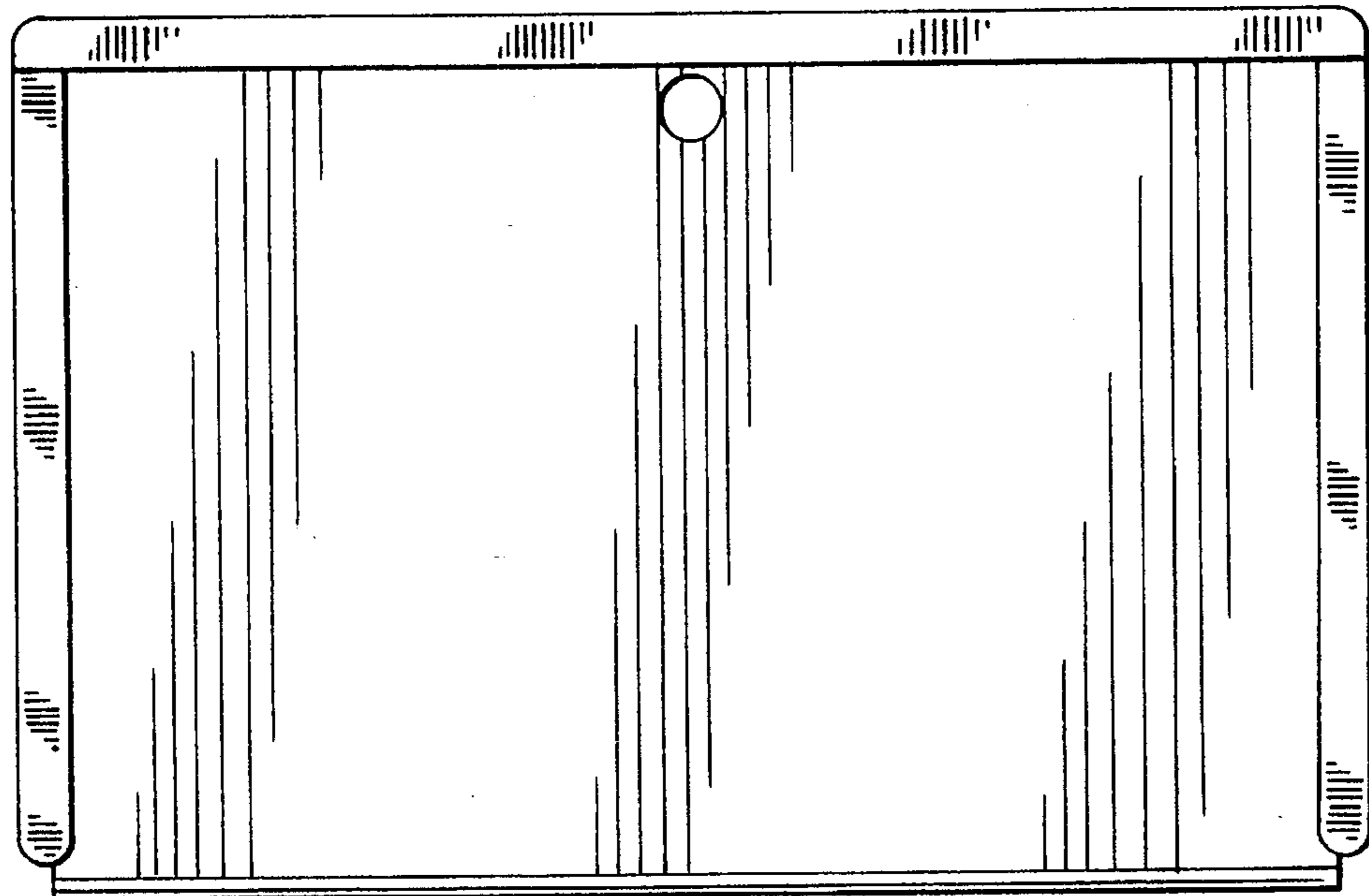


FIG. 4

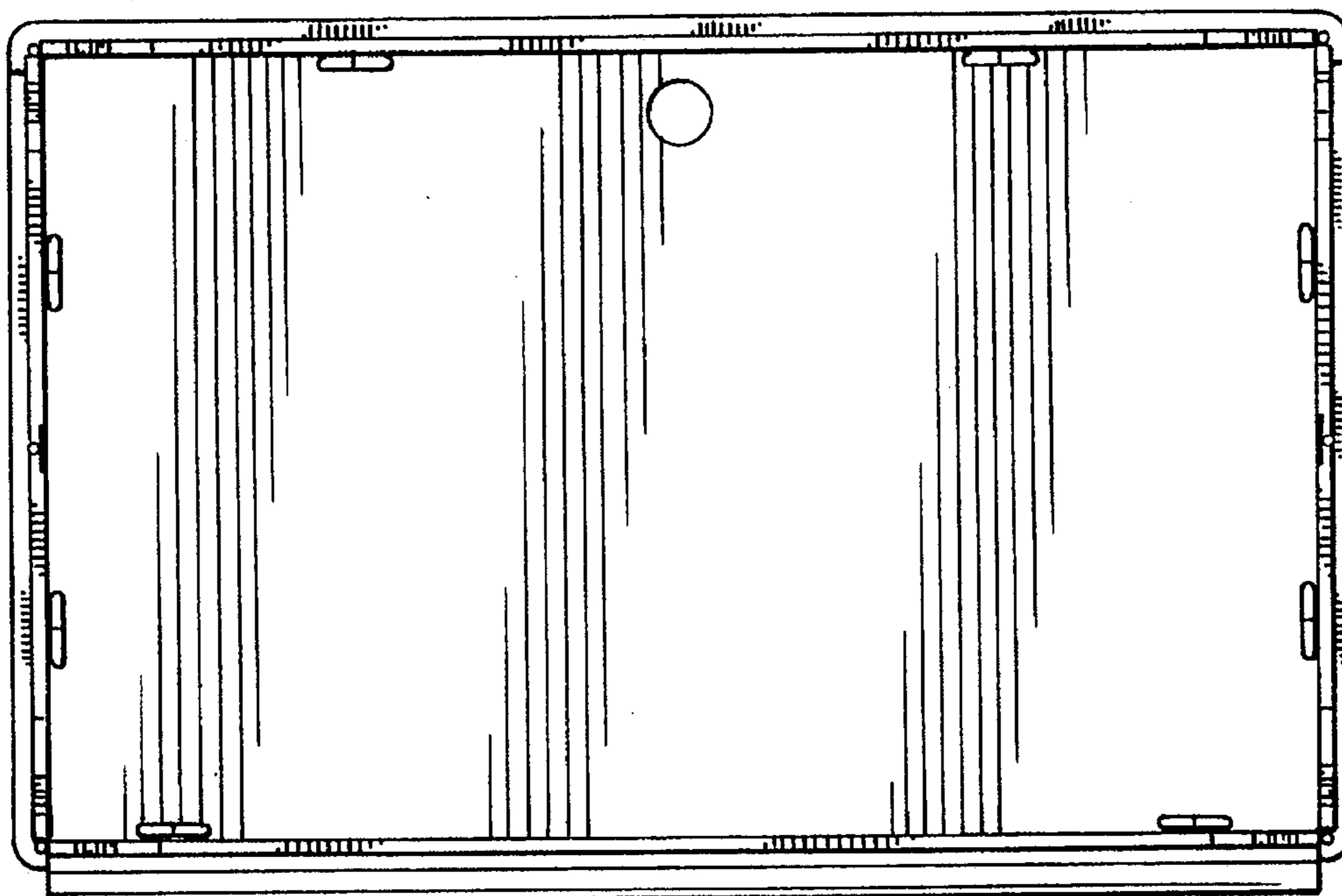


FIG. 5

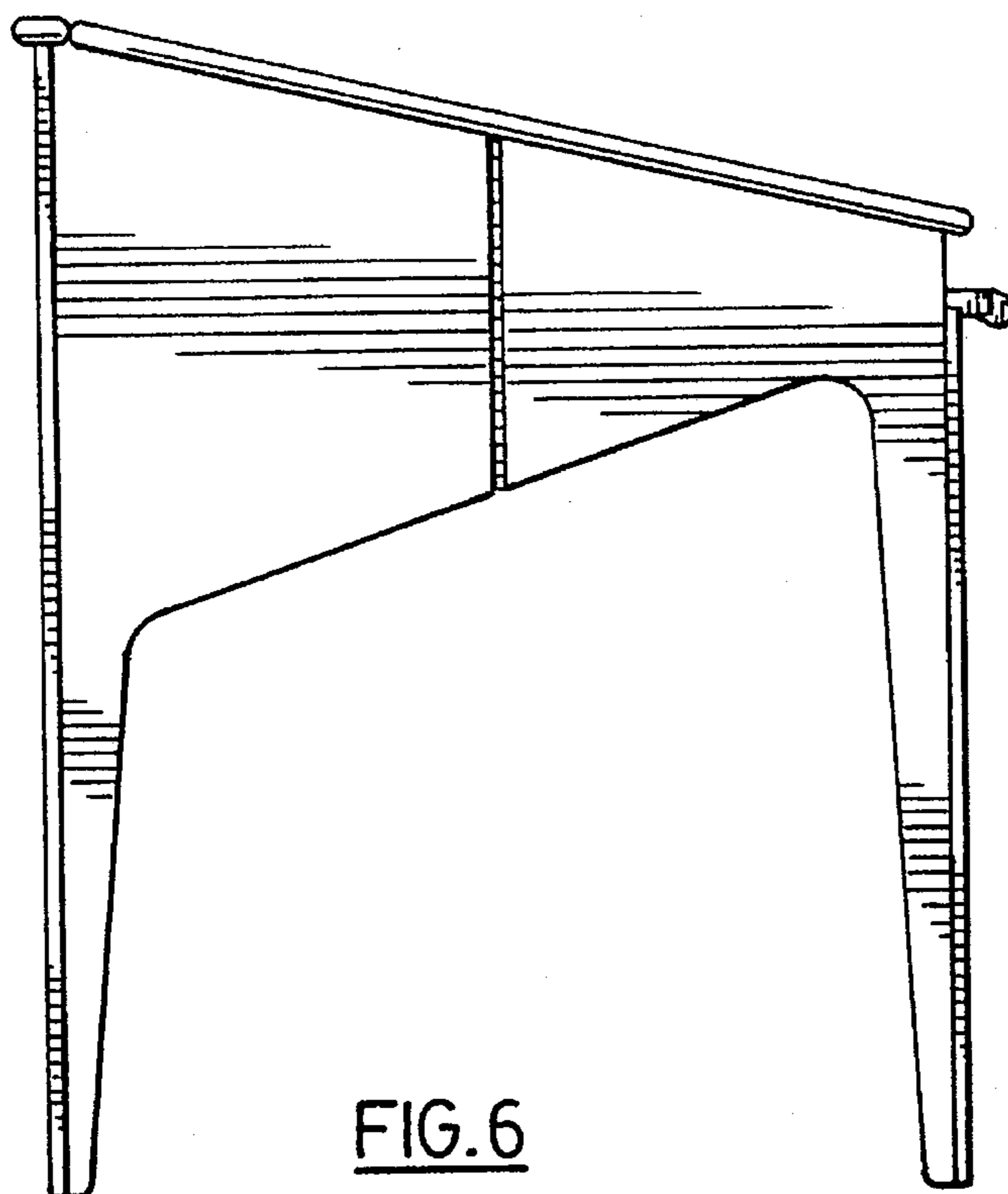


FIG. 6

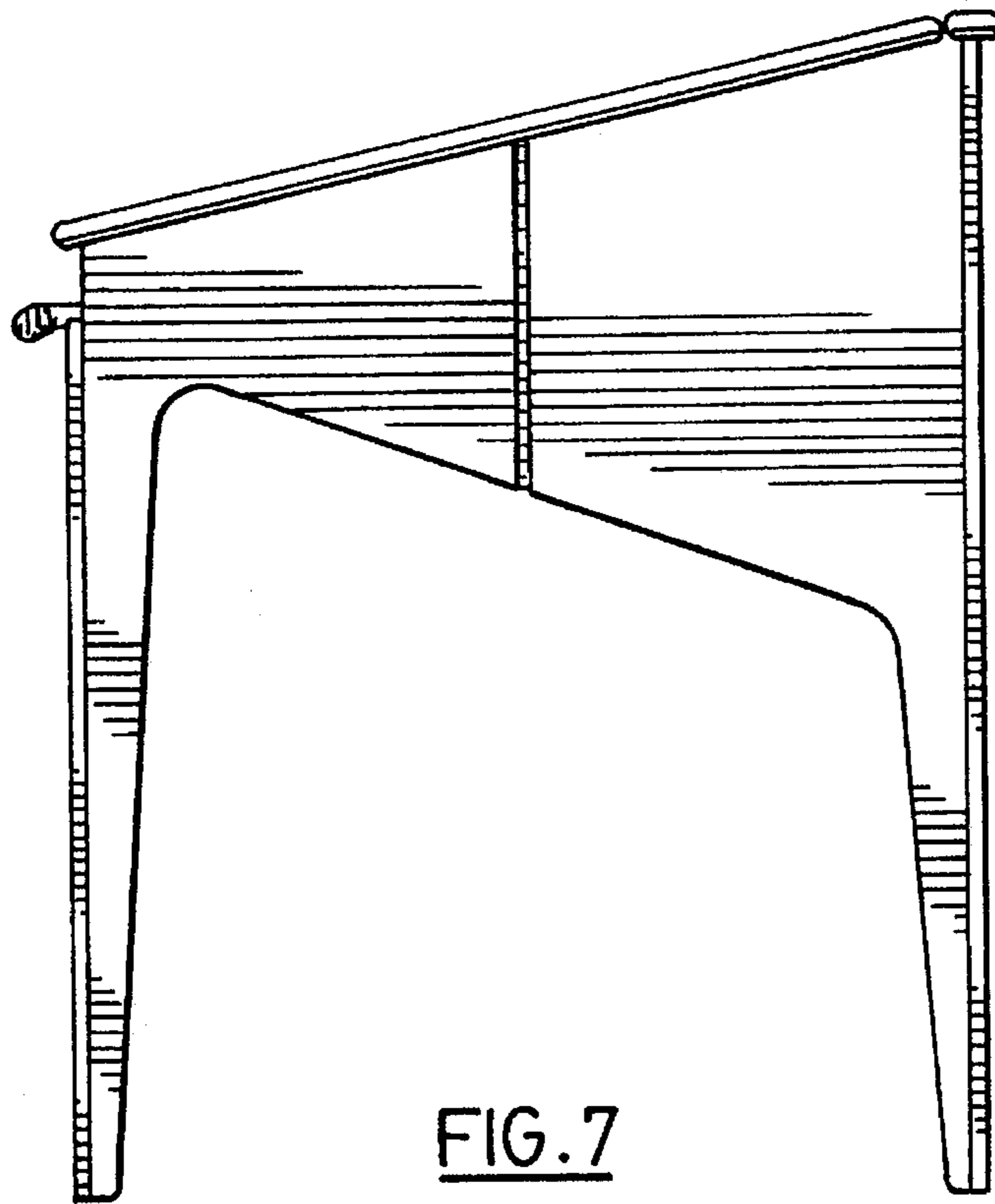


FIG. 7

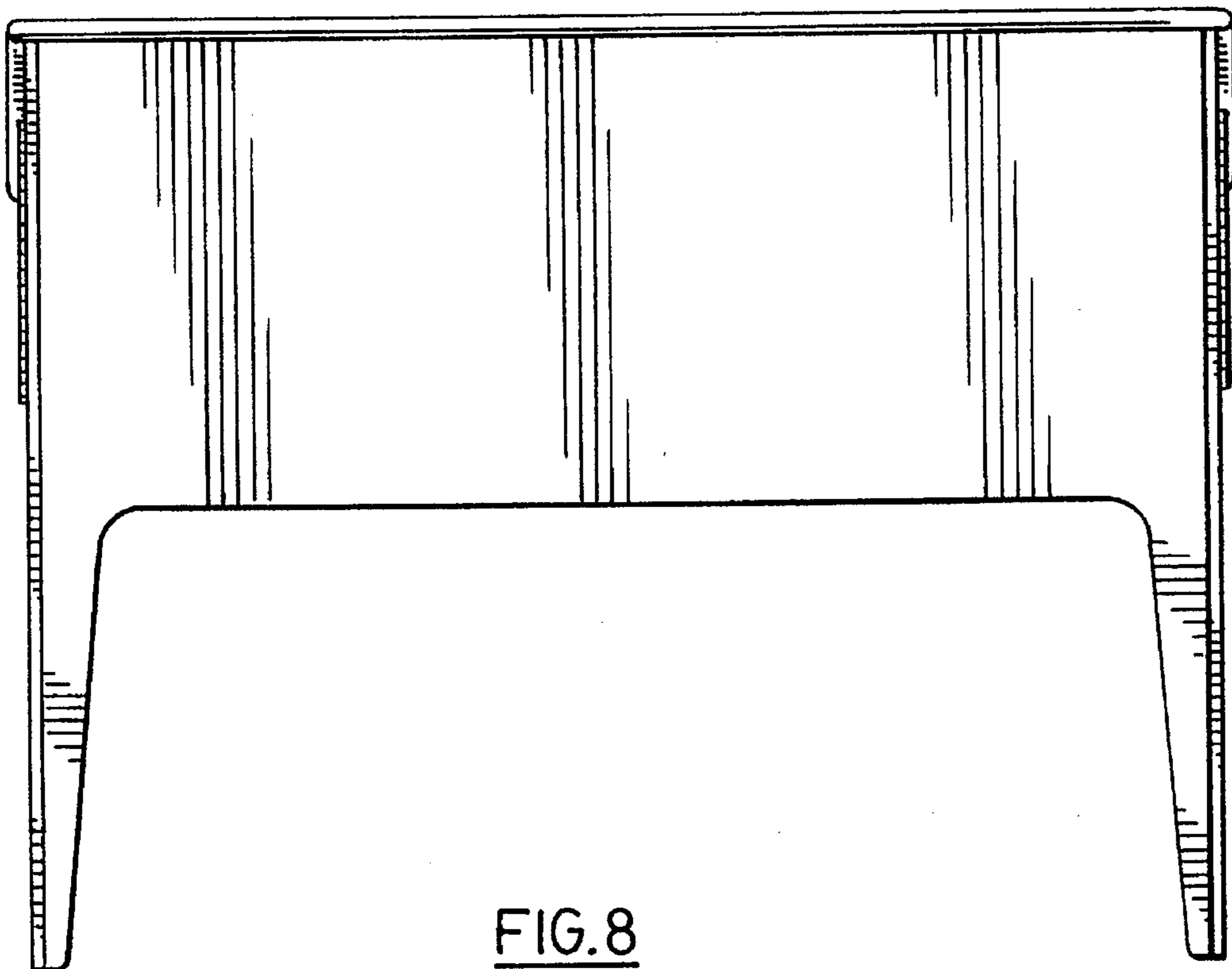


FIG. 8

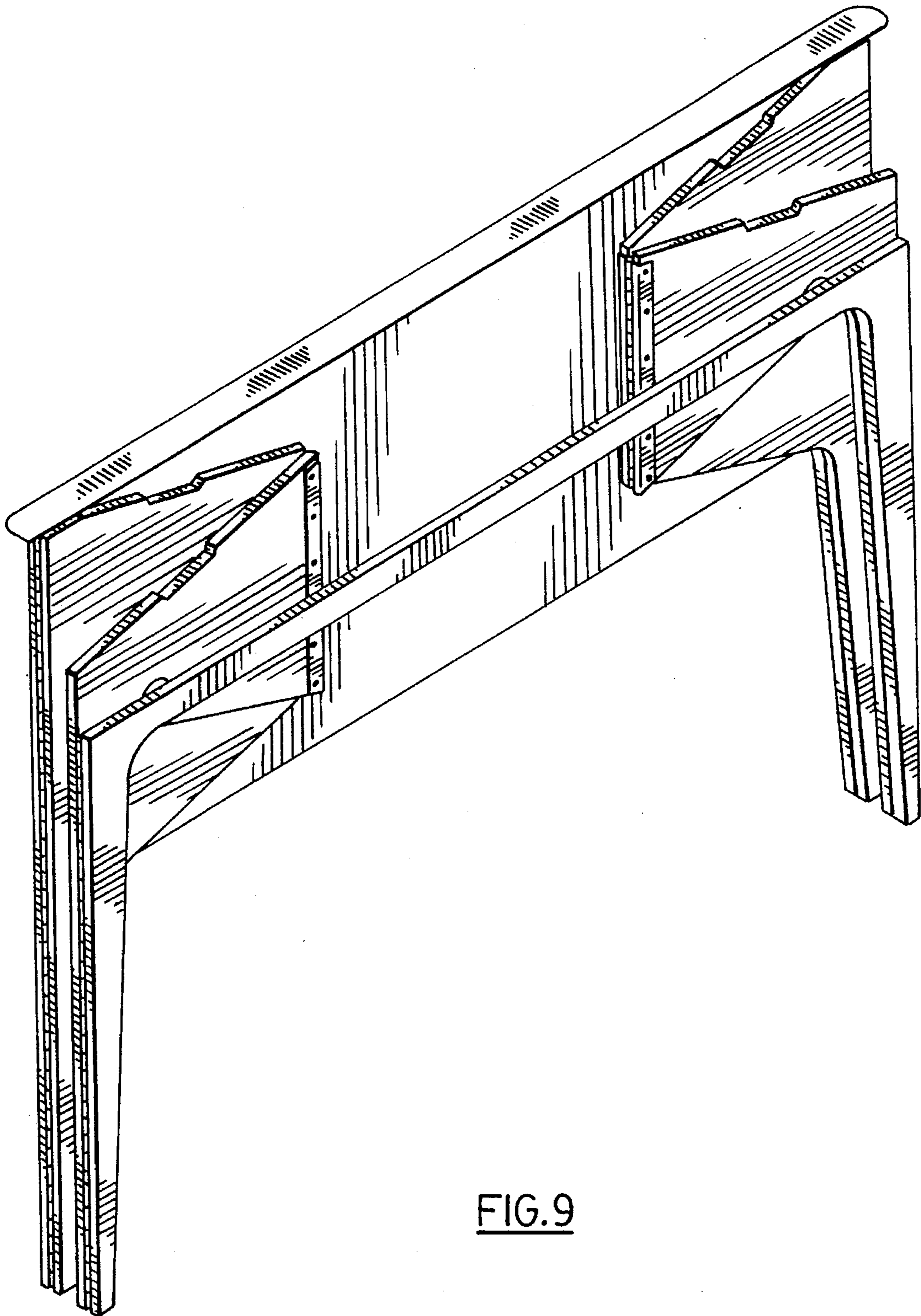


FIG. 9