



US00D375209S

United States Patent [19]
Crinion

[11] **Patent Number: Des. 375,209**

[45] **Date of Patent: **Nov. 5, 1996**

[54] **CHAIR**

D. 345,258 3/1994 Giacomuzzi et al. D6/334

[76] Inventor: **Jonathan Crinion**, 25A Morrow Avenue, Suite 303, Toronto, Ontario, Canada, M6R 2H9

OTHER PUBLICATIONS

House Beautiful, Apr. 1985, p. 41, chair at top left.

[**] Term: **14 Years**

Primary Examiner—Gary D. Watson

[21] Appl. No.: **43,342**

[57] **CLAIM**

[22] Filed: **Sep. 1, 1995**

The ornamental design for a chair, as shown and described.

[30] **Foreign Application Priority Data**

DESCRIPTION

Mar. 3, 1995 [CA] Canada 1995-0507

FIG. 1 is a front view of the chair to which the design has been applied;

[52] **U.S. Cl.** **D6/379; D6/380**

FIG. 2 is a side view of the chair, the opposite side being a mirror image thereof;

[58] **Field of Search** D6/334, 370, 374, D6/376, 379, 380, 500, 501, 502; 297/445.1

FIG. 3 is a rear view of the chair;

[56] **References Cited**

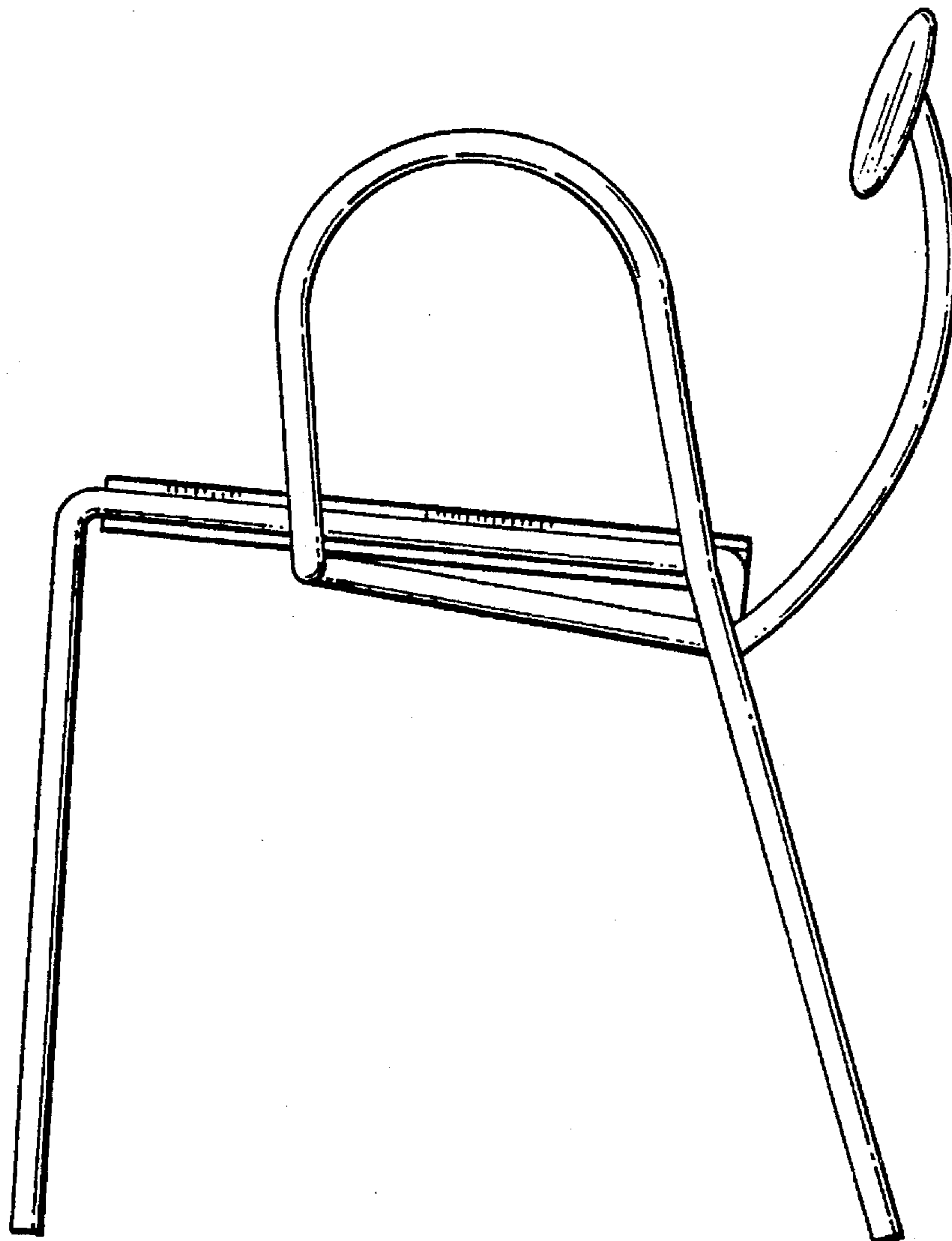
FIG. 4 is a top view of the chair; and,

FIG. 5 is a bottom view of the chair.

U.S. PATENT DOCUMENTS

D. 313,897 1/1991 Crinion D6/370

1 Claim, 3 Drawing Sheets



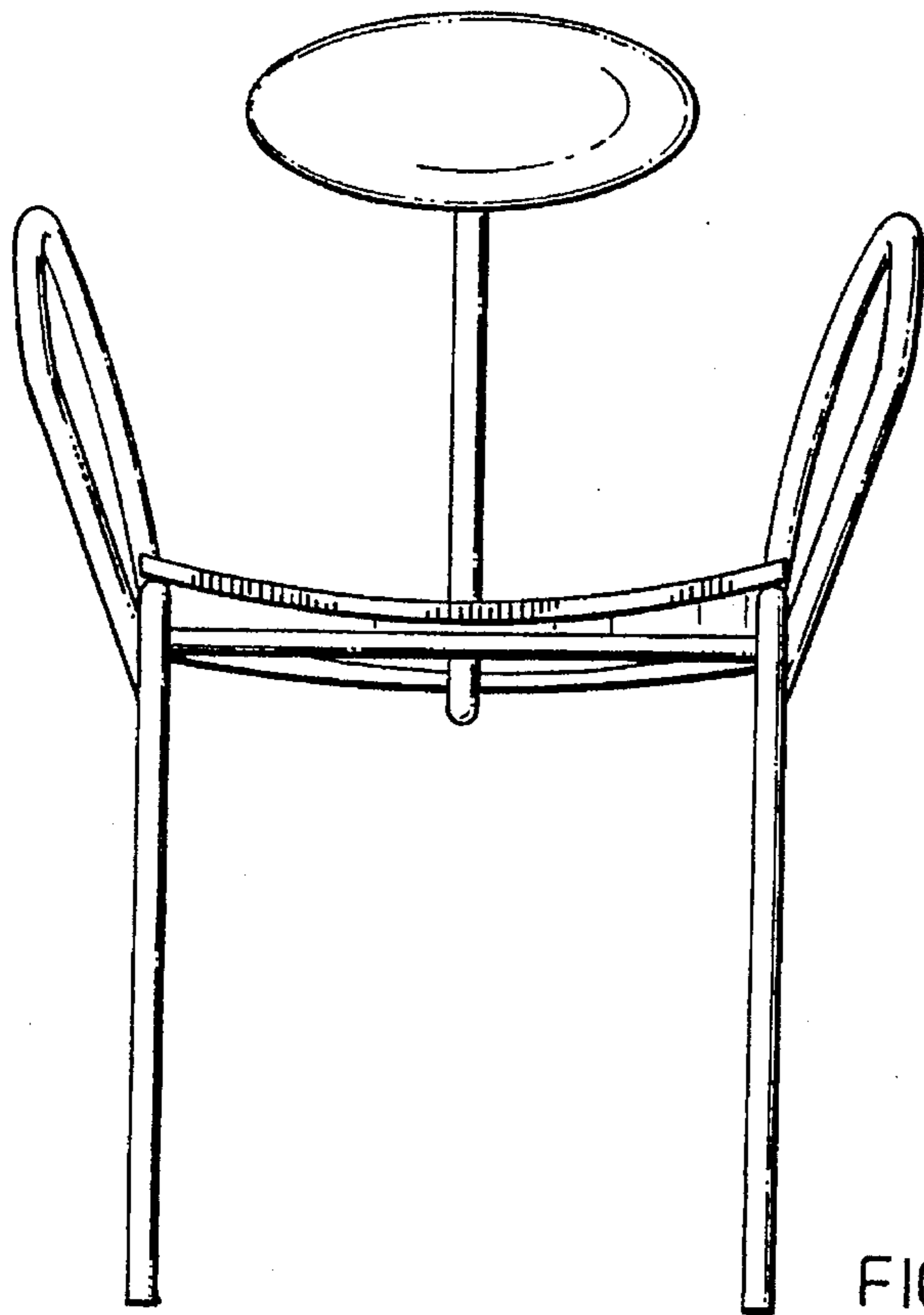


FIG. 1.

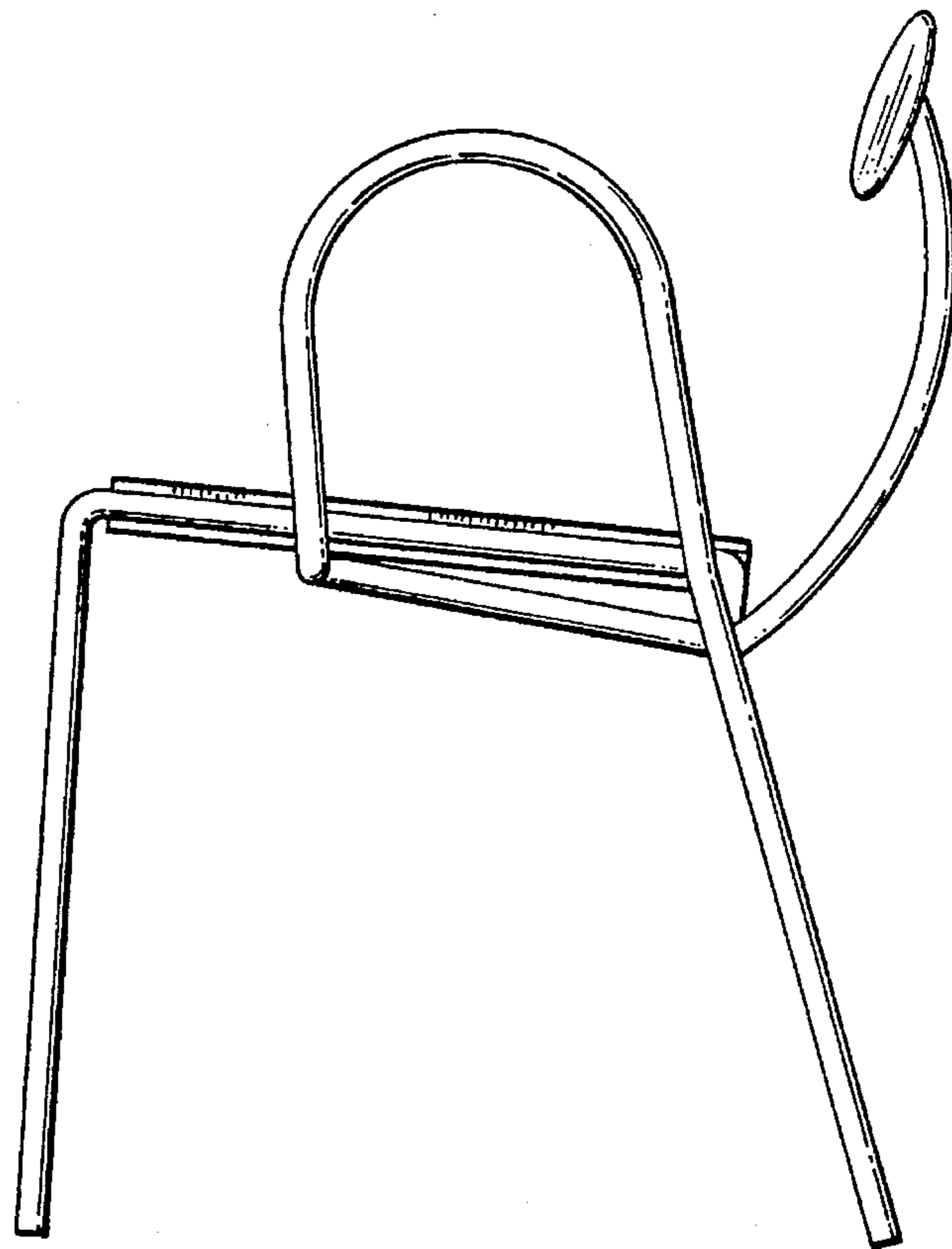


FIG. 2.

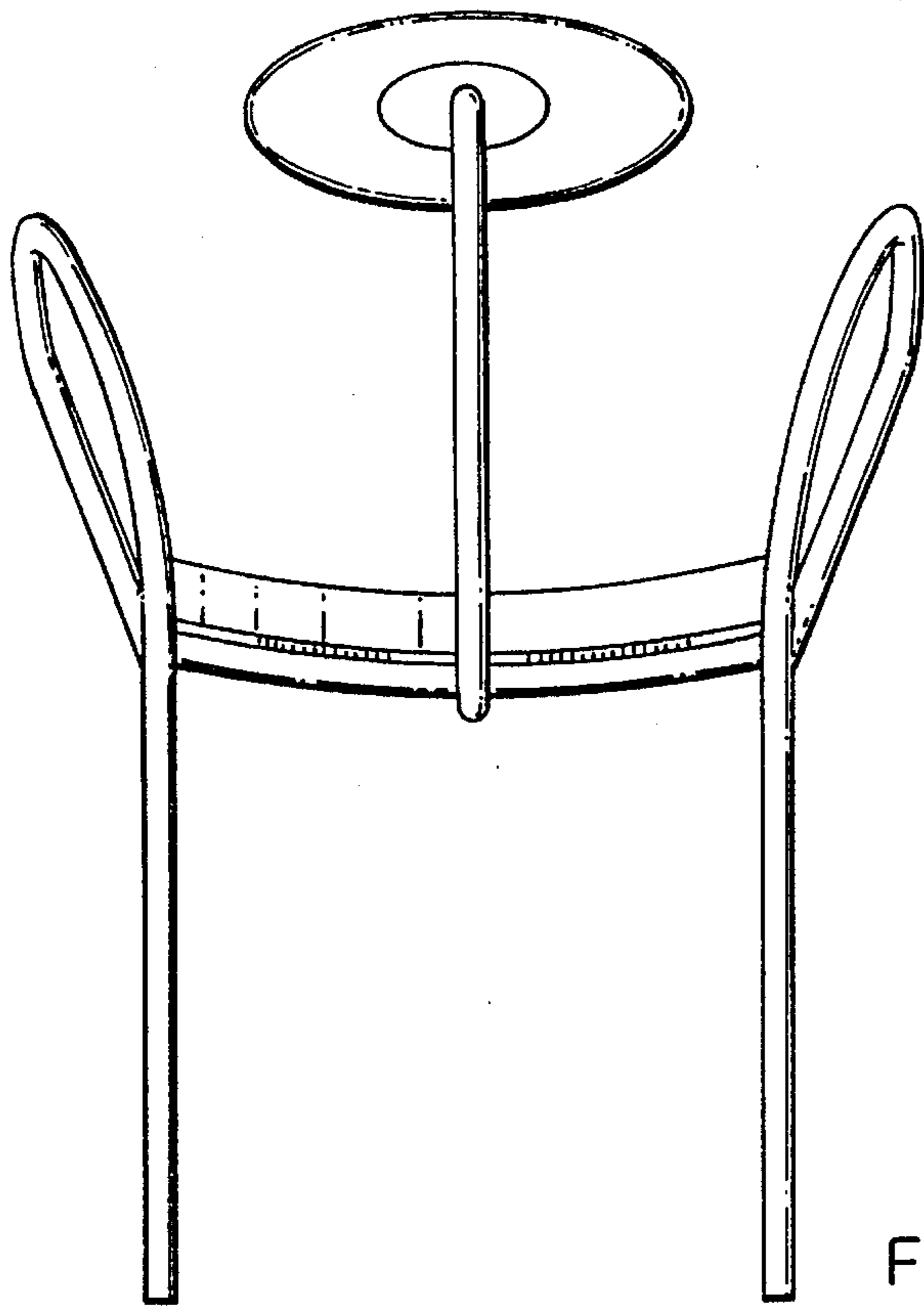


FIG. 3.

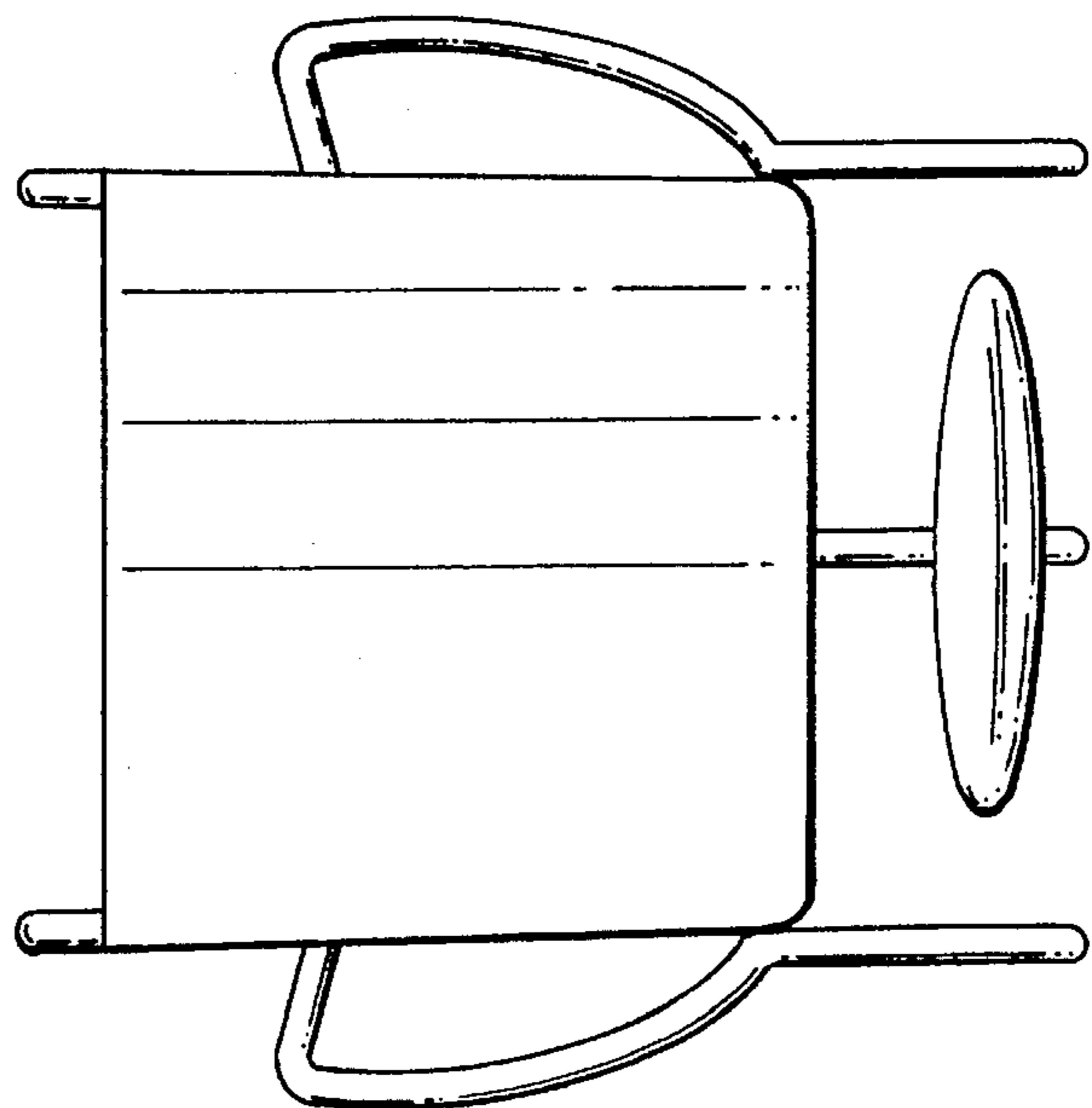


FIG. 4.

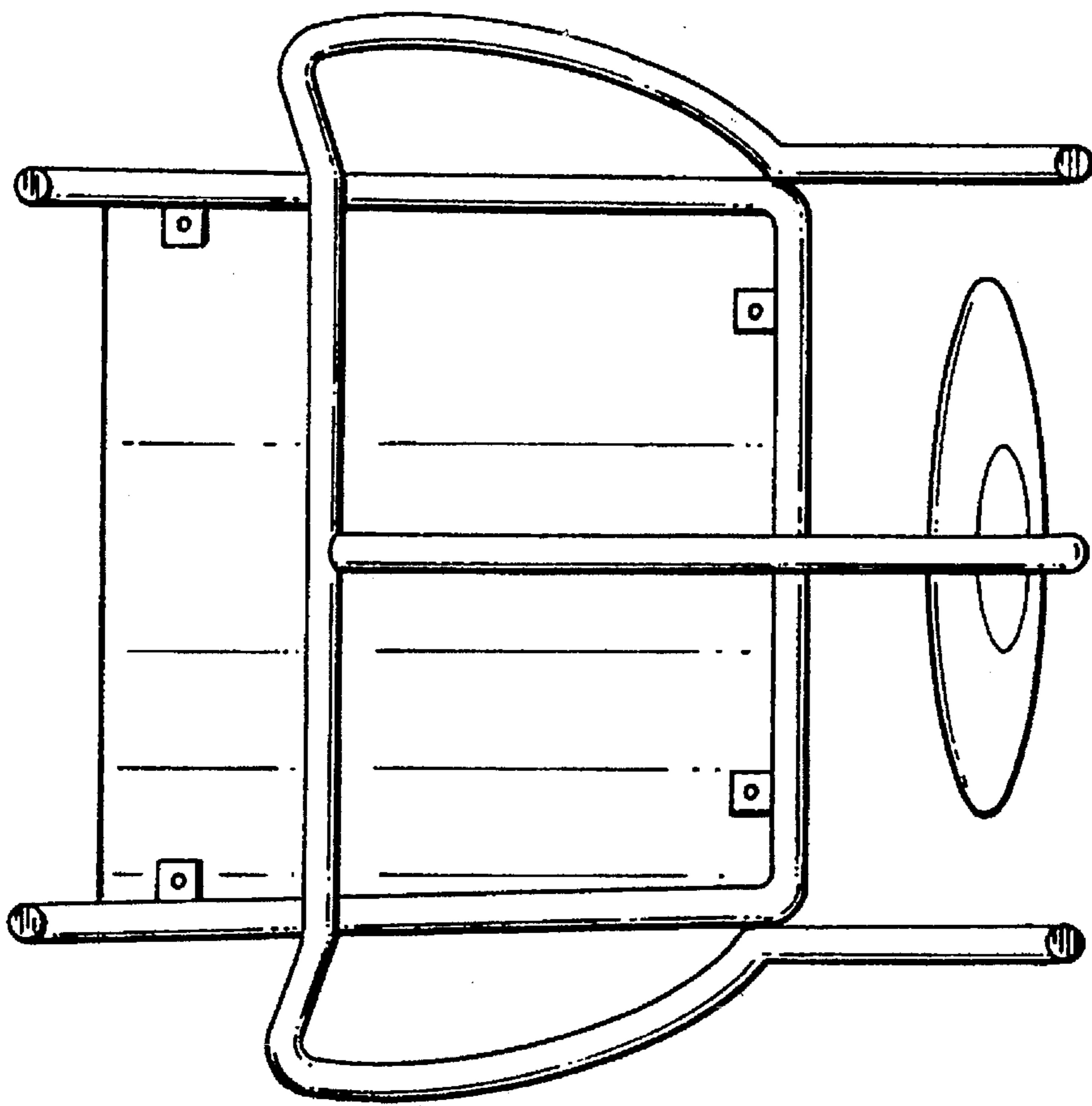


FIG. 5.