



US00D375203S

United States Patent [19]

LaPlante, Sr.

[11] Patent Number: **Des. 375,203**

[45] Date of Patent: ****Nov. 5, 1996**

[54] **GOLF CLUB BAG BOTTOM**

[76] Inventor: **Jimmy A. LaPlante, Sr.**, 732 - 18th Ave., Clarkston, Wash. 99403

[**] Term: **14 Years**

[21] Appl. No.: **48,460**

[22] Filed: **Dec. 29, 1995**

[52] U.S. Cl. **D3/320**

[58] Field of Search D3/320, 255; 206/315.1, 206/315.2, 315.3, 315.4, 315.5, 315.6, 315.7, 315.8, 315.9; D21/223; 211/70.2

3,371,898	3/1968	Murray, Jr.	206/315.3 X
4,055,207	10/1977	Goodwin	206/315.6
4,332,283	6/1982	Rader	206/315.6

Primary Examiner—Doris V. Coles
Assistant Examiner—Catherine R. Oliver
Attorney, Agent, or Firm—Wells, St. John, Roberts, Gregory & Matkin P.S.

[57] CLAIM

The ornamental design for a golf club bag bottom, as shown and described.

DESCRIPTION

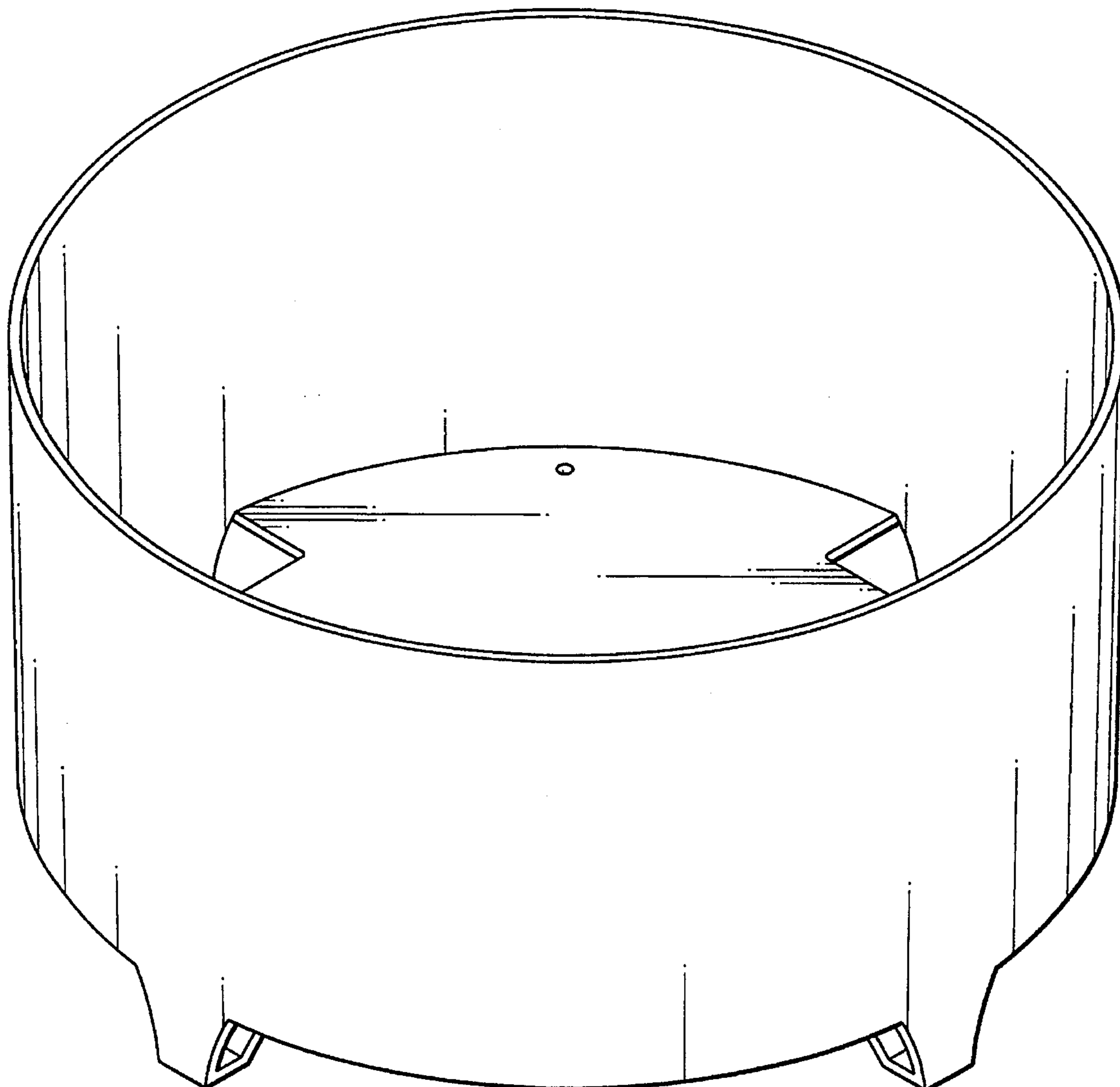
FIG. 1 is a perspective view of a golf club bag bottom showing my new design;
FIG. 2 is a side elevation view thereof, the opposite side being a mirror image;
FIG. 3 is a top plan view thereof; and,
FIG. 4 is a bottom plan view thereof.

1 Claim, 4 Drawing Sheets

[56] References Cited

U.S. PATENT DOCUMENTS

1,492,253	4/1924	Levine	206/315.3
1,628,186	5/1927	Pierce et al.	206/315.3
1,684,111	9/1928	Rau	206/315.3
1,767,548	6/1930	Noe	206/315.3
3,230,992	1/1966	Kish, Jr.	206/315.3 X



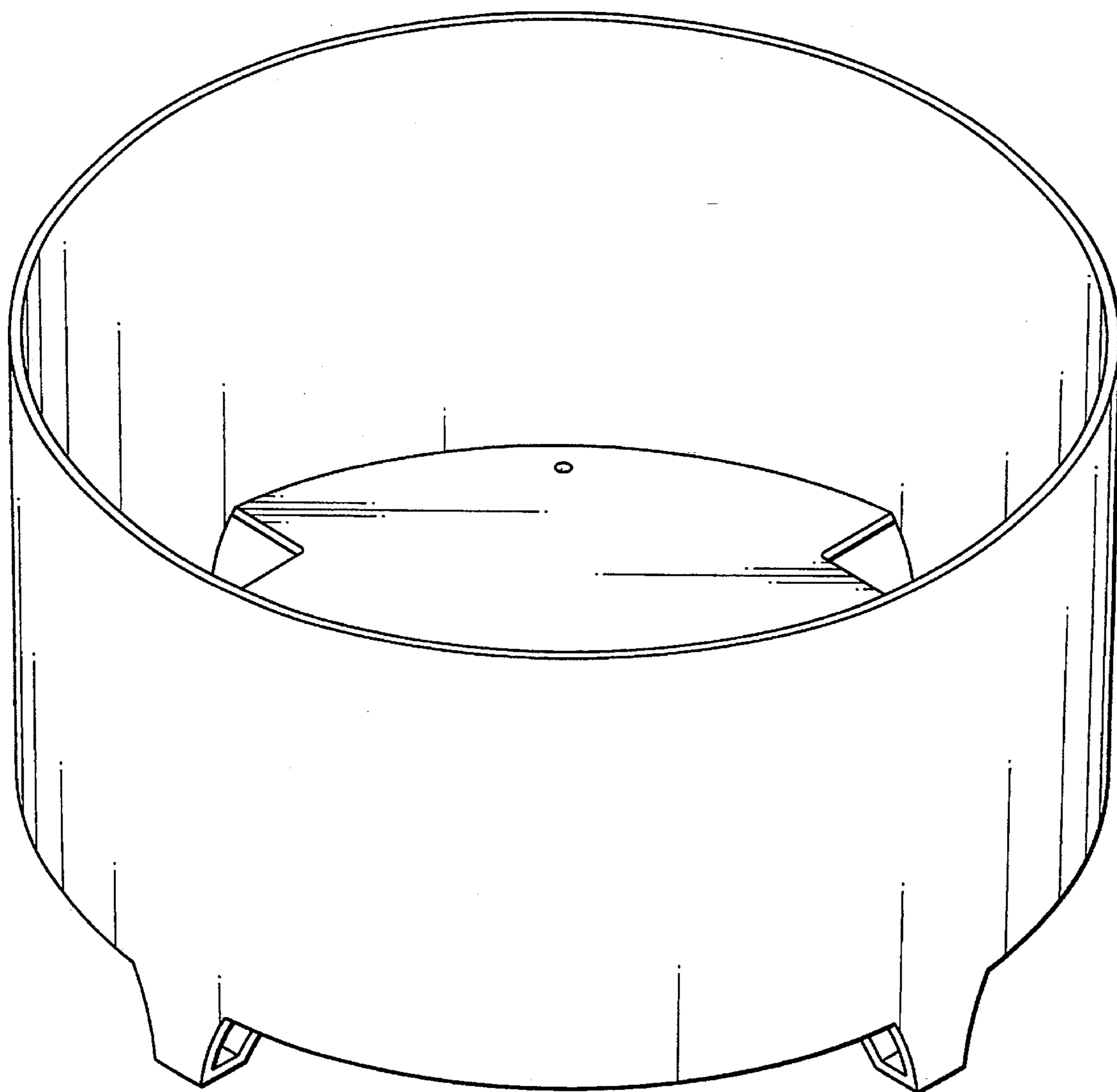


FIG. 1

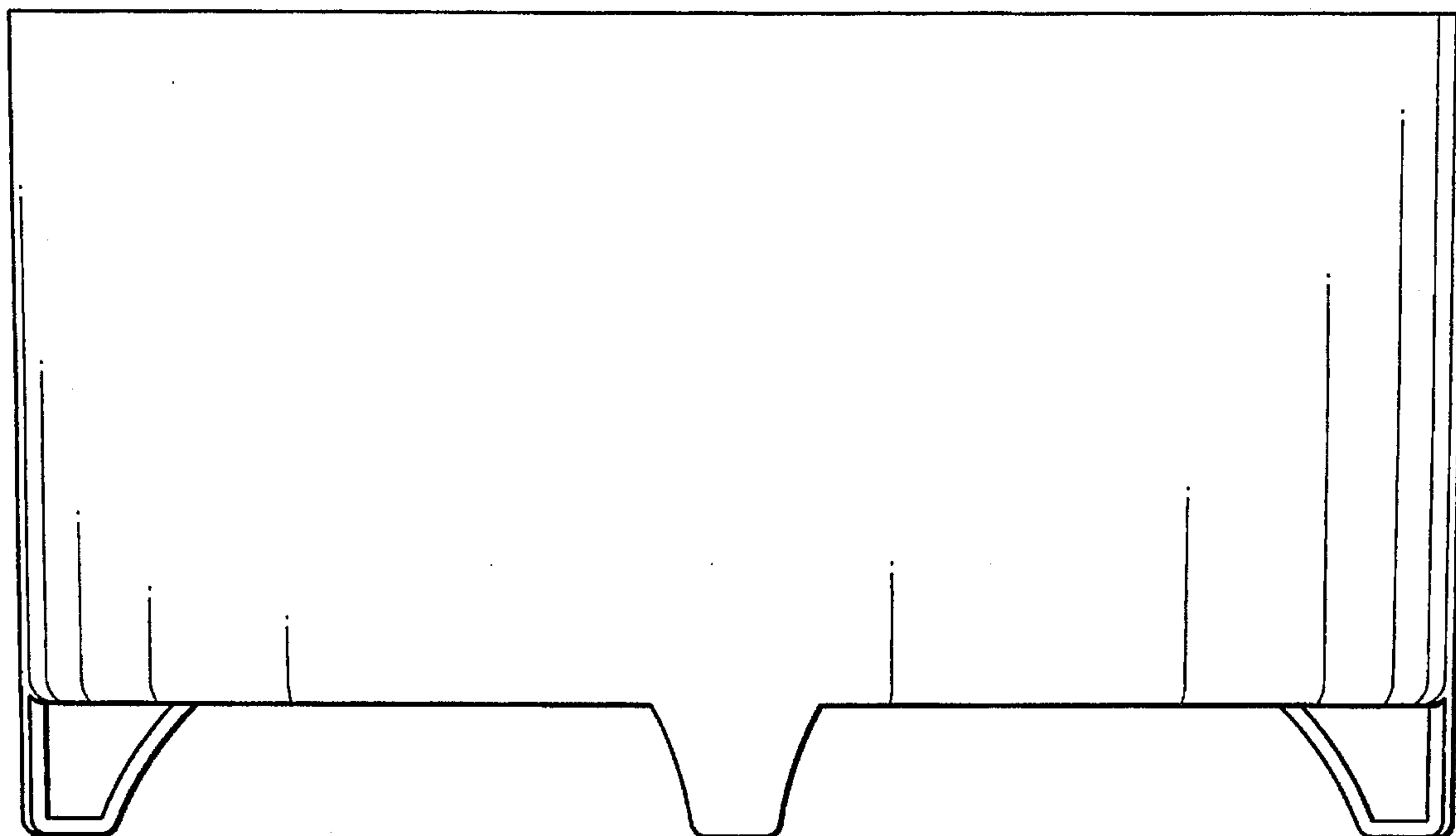


Fig. 2

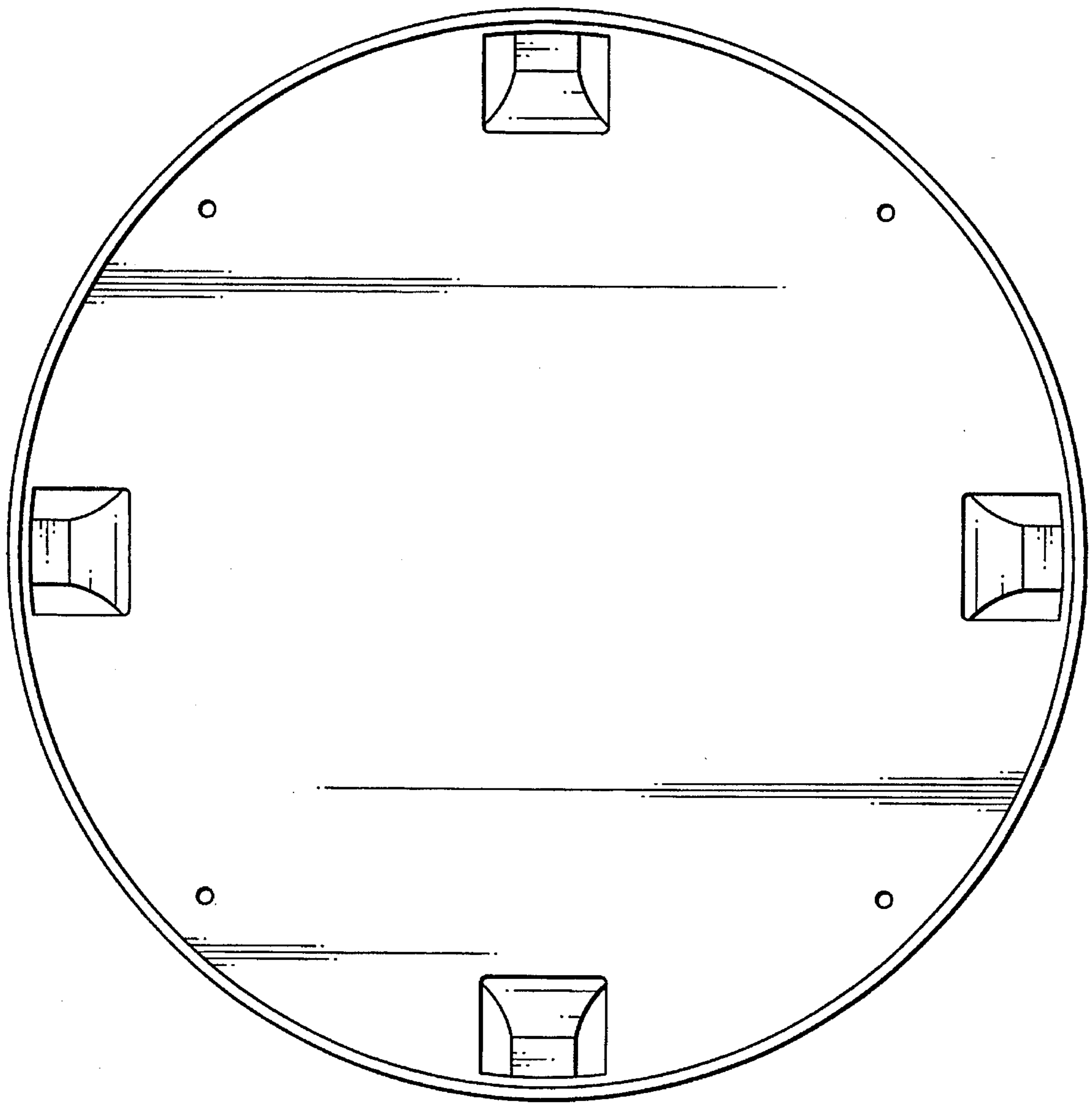
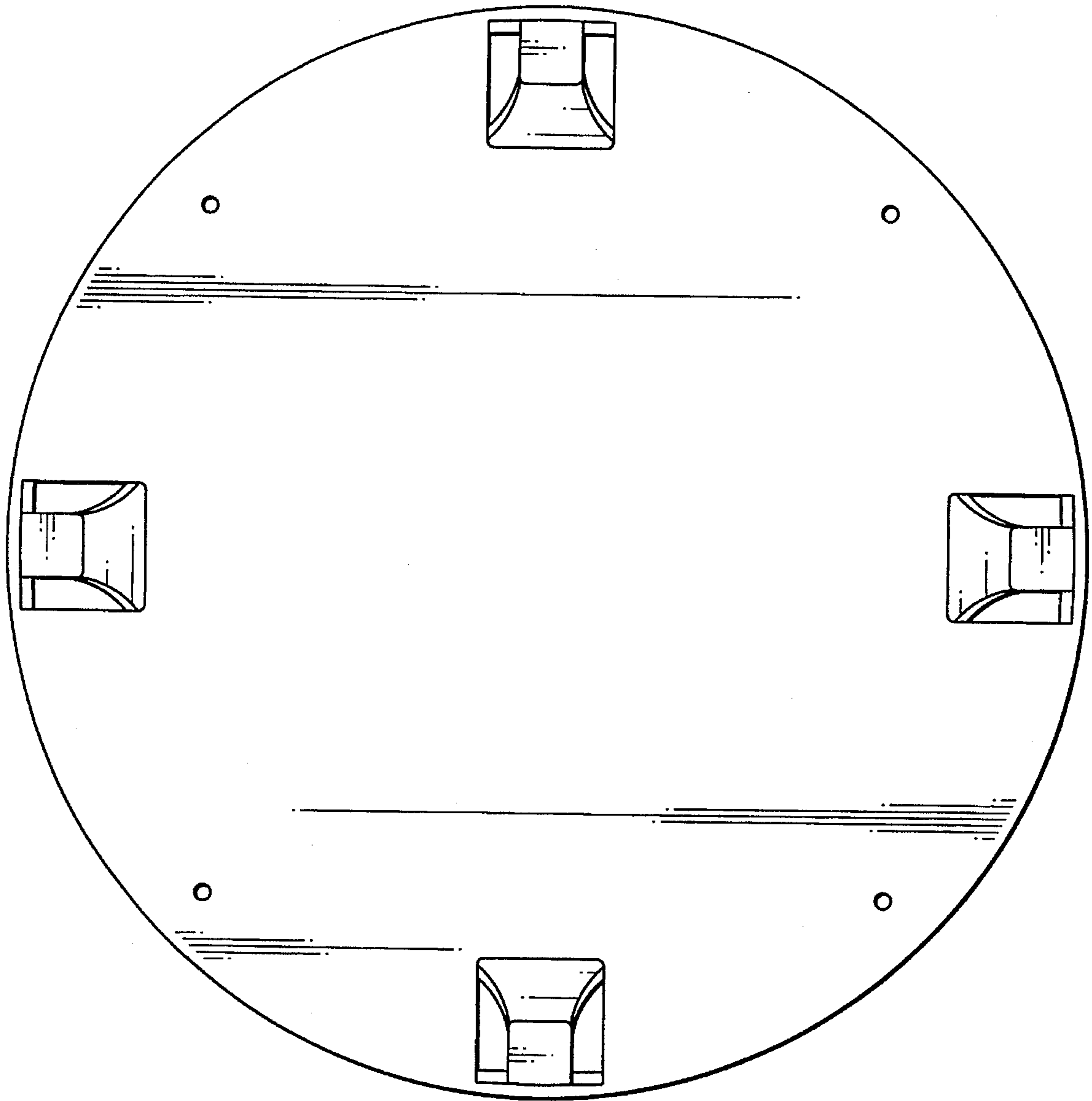


FIG. 3



Illegible signature or text