



US00D375201S

United States Patent [19]

Karr et al.

[11] Patent Number: **Des. 375,201**

[45] Date of Patent: ****Nov. 5, 1996**

[54] HANDLE FOR A STORAGE CONTAINER

[75] Inventors: **Bruce B. Karr; Clinton McDade**, both of Charlotte, N.C.

[73] Assignee: **Schaefer Systems International**, Charlotte, N.C.

[**] Term: **14 Years**

[21] Appl. No.: **24,004**

[22] Filed: **Jun. 6, 1994**

[52] U.S. Cl. **D3/318; D3/307**

[58] Field of Search **D3/304-307, 312, D3/318; D8/303; D9/443; D25/119, 120; 206/510, 509; 220/752, 755, 771; 292/DIG. 63**

[56] References Cited

U.S. PATENT DOCUMENTS

D. 197,311	1/1964	Box	206/509 X
D. 263,375	3/1982	Thurman	D3/312
D. 336,715	6/1993	Gora et al.	.	
4,819,822	4/1989	Box	220/675
5,145,082	9/1992	Craft et al.	220/676

FOREIGN PATENT DOCUMENTS

0572418 12/1973 Switzerland 206/509

Primary Examiner—Ted Shooman
Assistant Examiner—Richelle Shelton
Attorney, Agent, or Firm—Shefte, Pinckney & Sawyer

[57] CLAIM

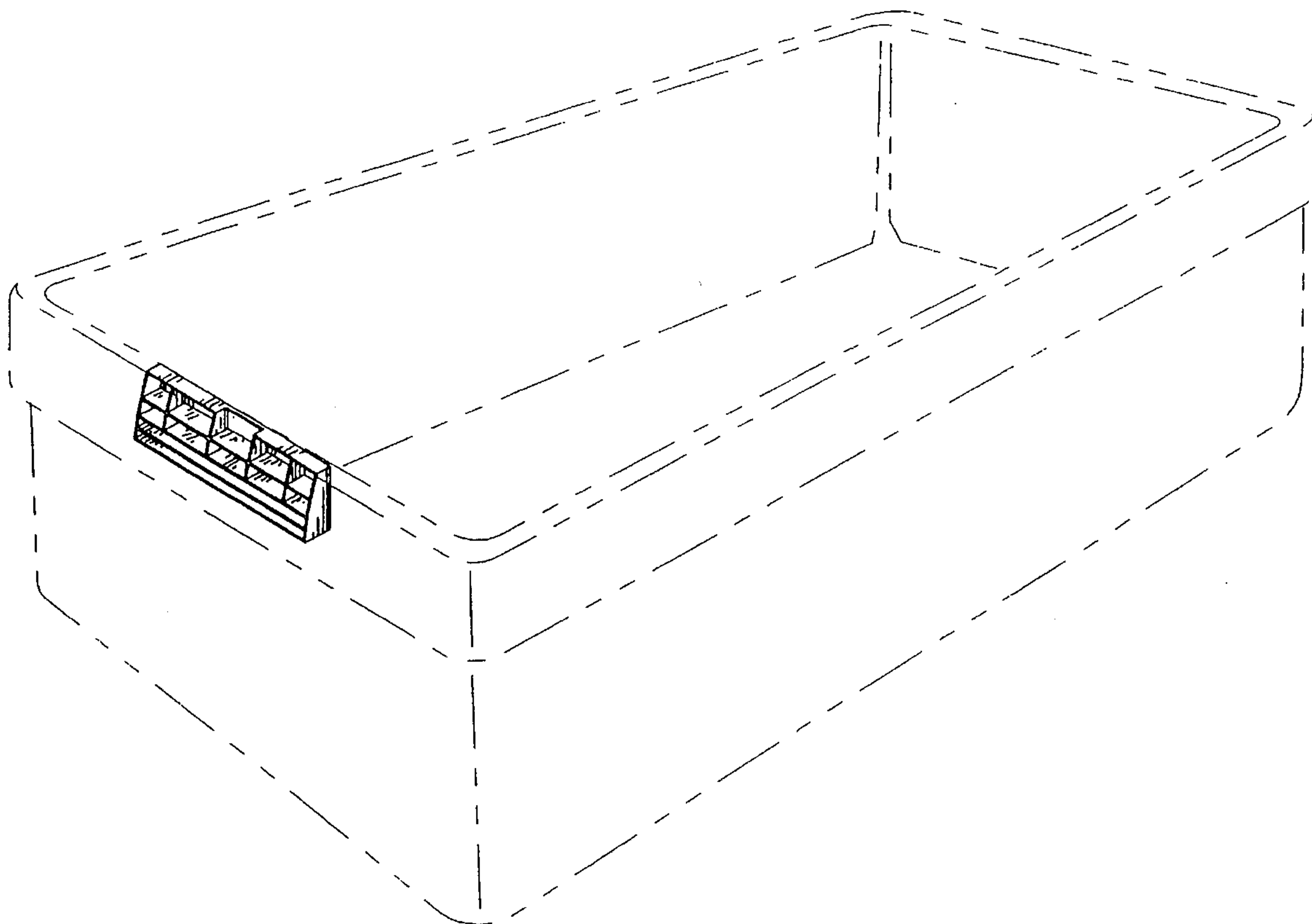
The ornamental design for a handle for a storage container, as shown and described.

DESCRIPTION

FIG. 1 is a top, front and right side perspective view of a handle for storage container showing our new design; FIG. 2 is a top, front and left side perspective view thereof; FIG. 3 is a front elevation view thereof, the rear elevation view being unornamented; and, FIG. 4 is a top plan view thereof.

The broken lines showing of environmental structure is for illustrative purposes only and forms no part of the claimed design.

1 Claim, 2 Drawing Sheets



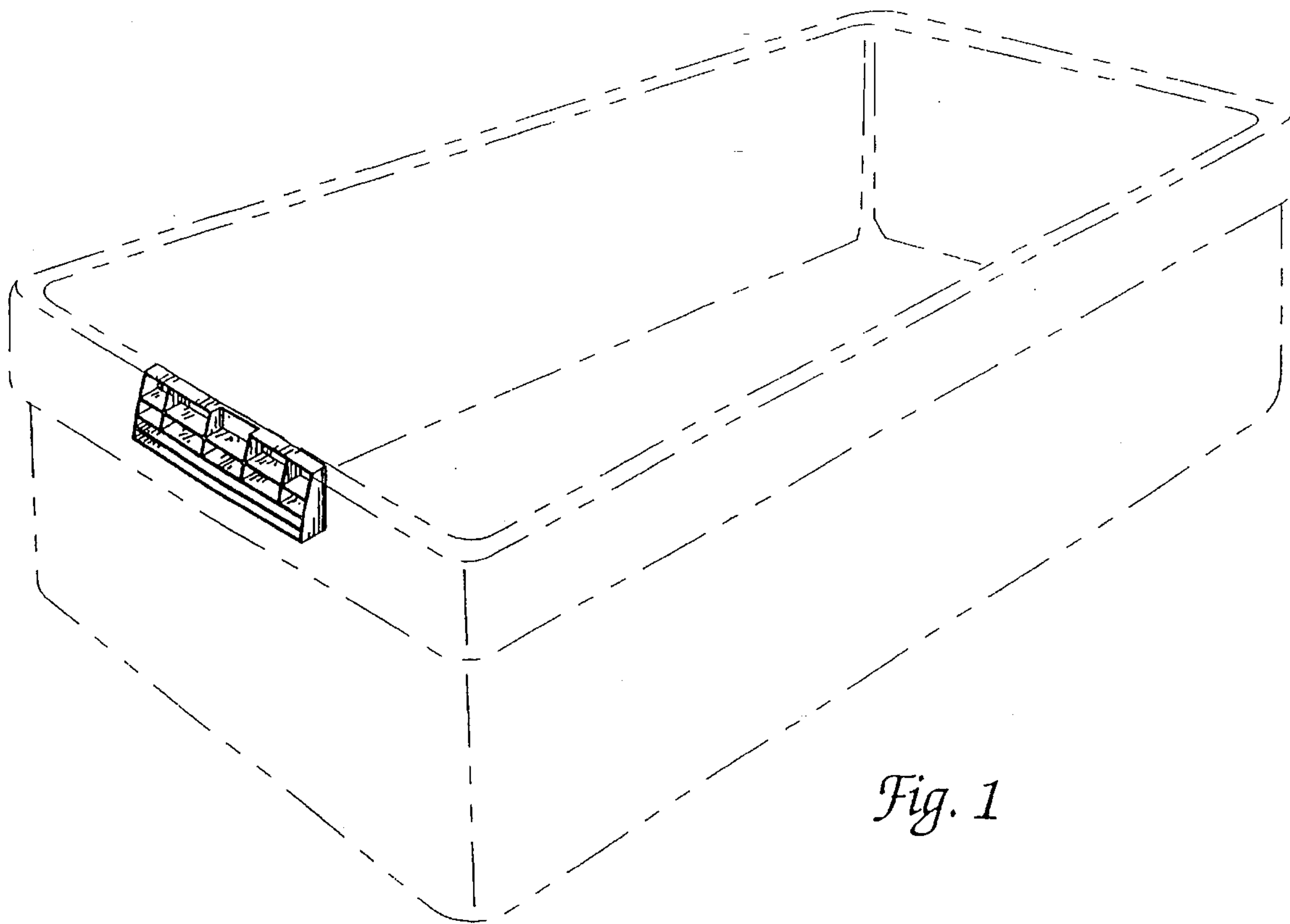


Fig. 1

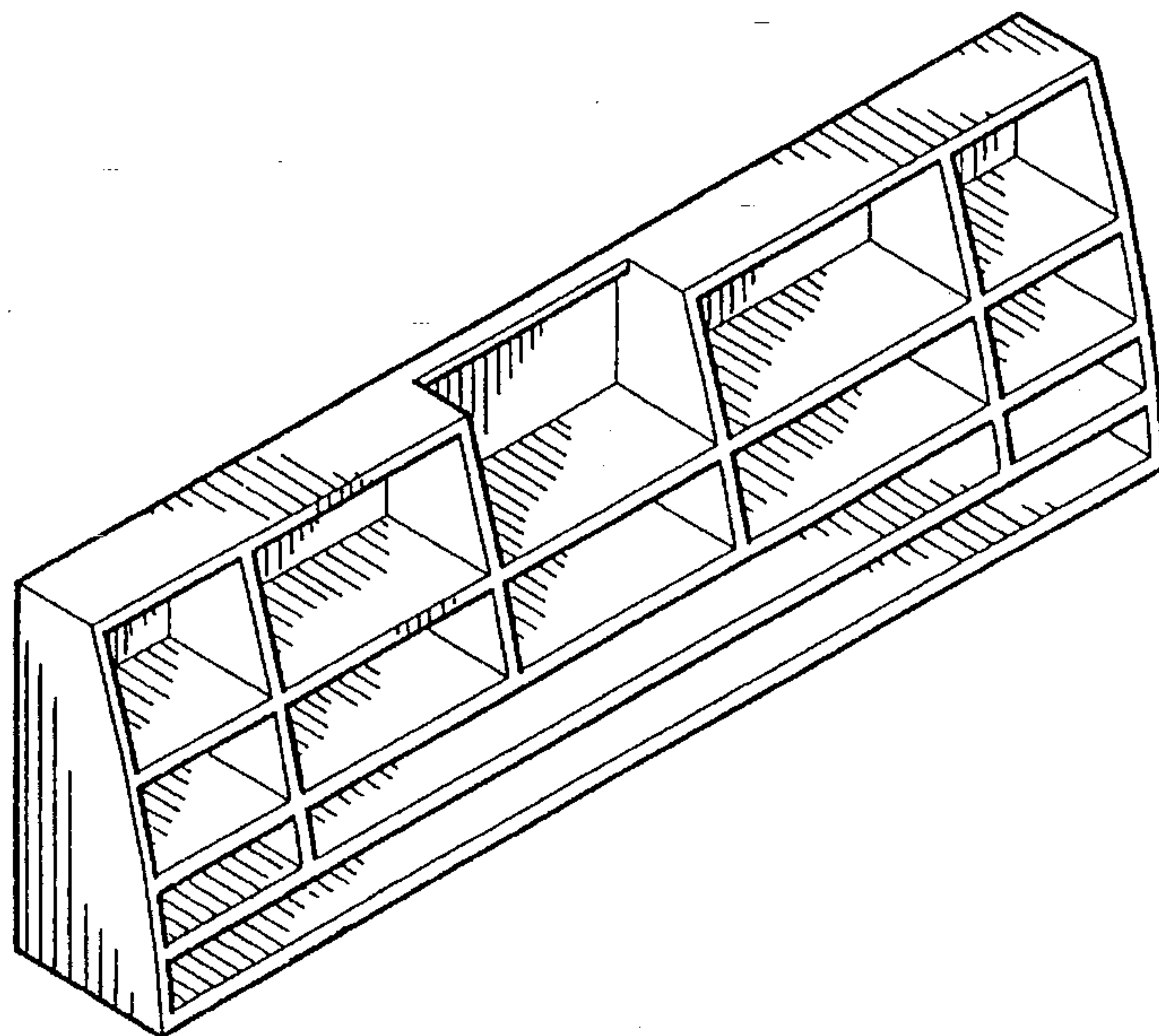


Fig. 2

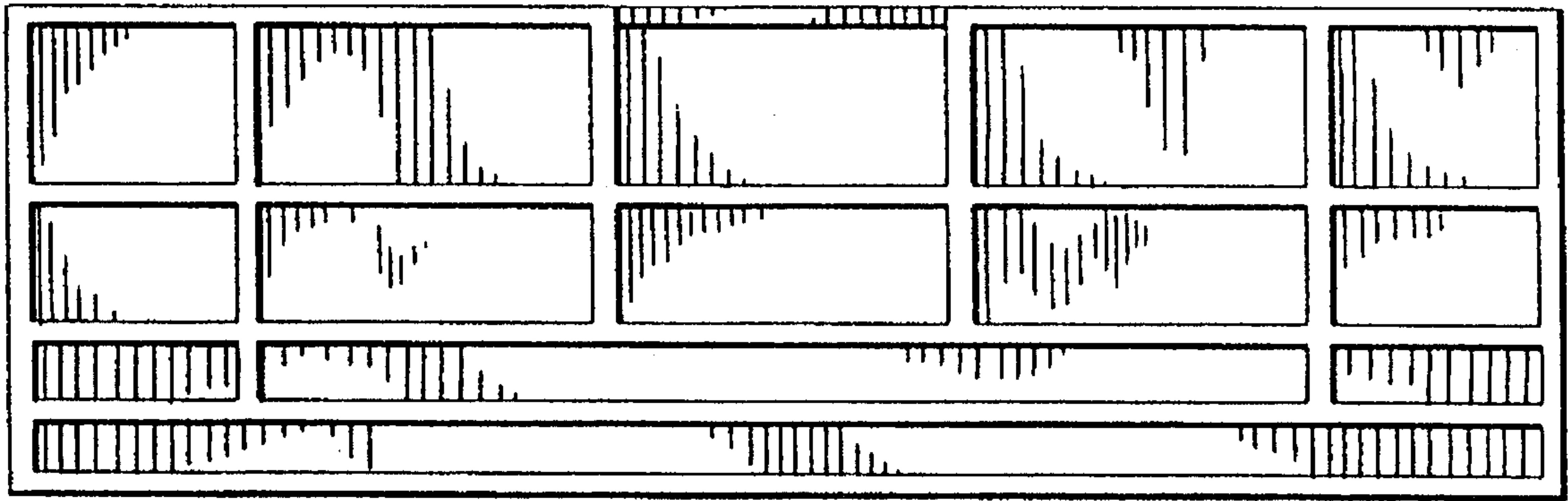


Fig. 3

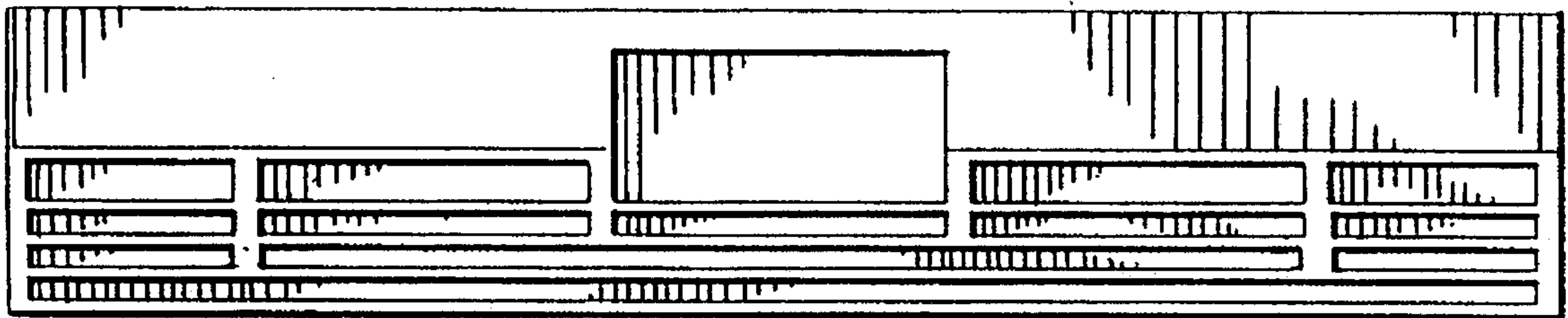


Fig. 4