



US00D375200S

United States Patent [19]

[11] **Patent Number:** **Des. 375,200**

Nugent

[45] **Date of Patent:** ****Nov. 5, 1996**

[54] **HARDWARE CONTAINER**

0692114 7/1965 Italy 220/555
34080 6/1911 Sweden 220/500

[76] Inventor: **Michael J. Nugent**, P.O. Box 1829,
Batavia, N.Y. 14021

Primary Examiner—B. J. Bullock
Assistant Examiner—Richelle Shelton

[**] Term: **14 Years**

[57] **CLAIM**

[21] Appl. No.: **36,296**

The ornamental design for a low cost hardware container, as shown and described.

[22] Filed: **Mar. 17, 1995**

[52] U.S. Cl. **D3/313; D7/630**

DESCRIPTION

[58] **Field of Search** D3/304, 307-314;
D7/552, 557, 630; 206/1.7, 83, 214, 372,
373; 220/500, 555; D9/341; D32/53, 54

FIG. 1 is a perspective view taken from the top, front and right side of a low cost hardware container, showing my new design;

FIG. 2 is a bottom view thereof;

FIG. 3 is a rear view thereof;

FIG. 4 is a right side elevation view thereof, the left side elevation view being a mirror image;

FIG. 5 is a cross sectional view taken on line 5—5 of FIG. 1 showing the lifting knob in the resting position; and,

FIG. 6 is a cross sectional view taken on line 6—6 of FIG. 1 showing the lifting knob extended.

[56] **References Cited**

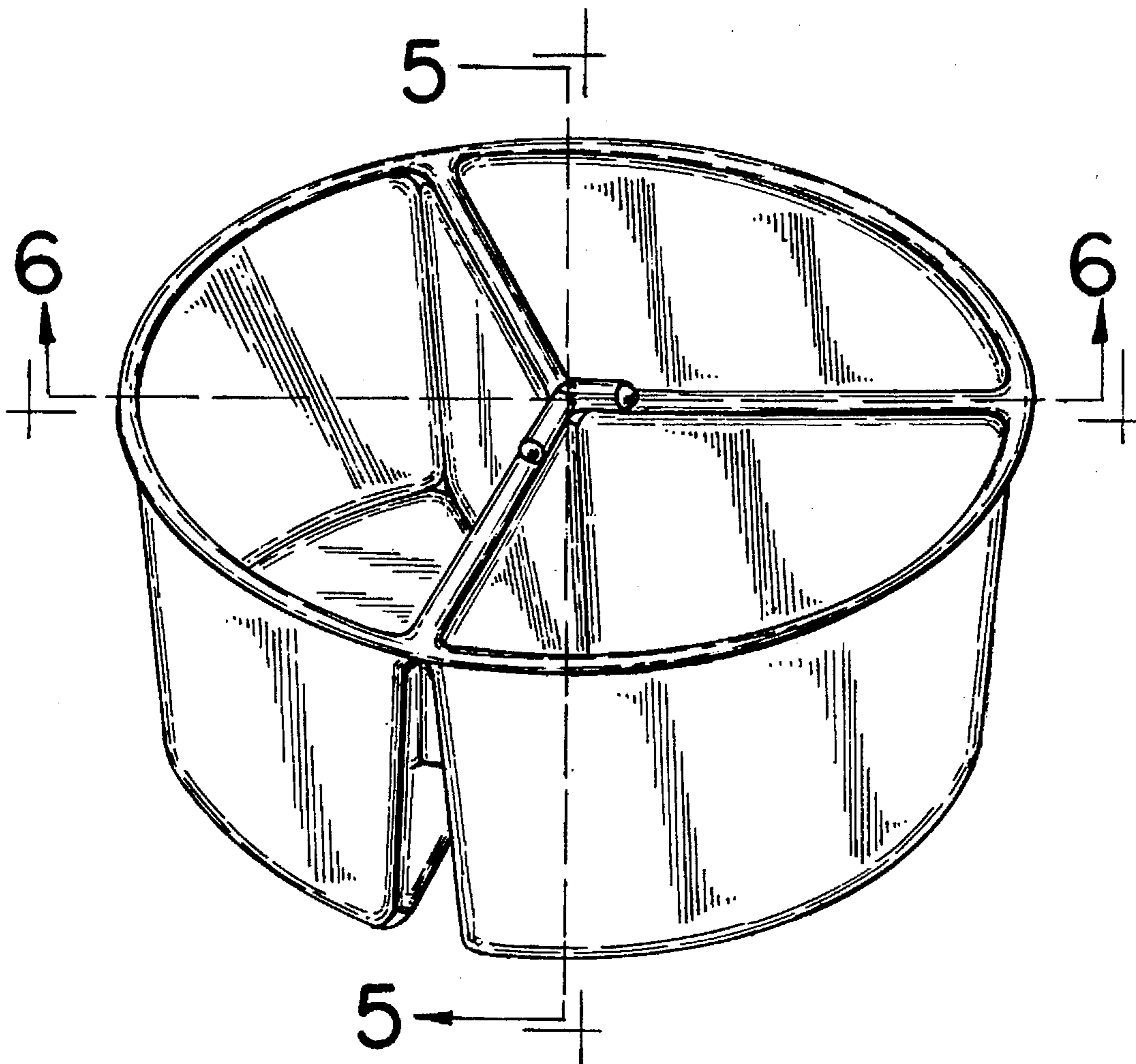
U.S. PATENT DOCUMENTS

D. 41,766	12/1911	Bender	D7/557
4,428,493	1/1984	McDonough	220/555
4,967,900	11/1990	Gossett	220/500 X
5,386,922	2/1995	Jordan	206/373 X

FOREIGN PATENT DOCUMENTS

9402916 8/1994 Germany .

1 Claim, 2 Drawing Sheets



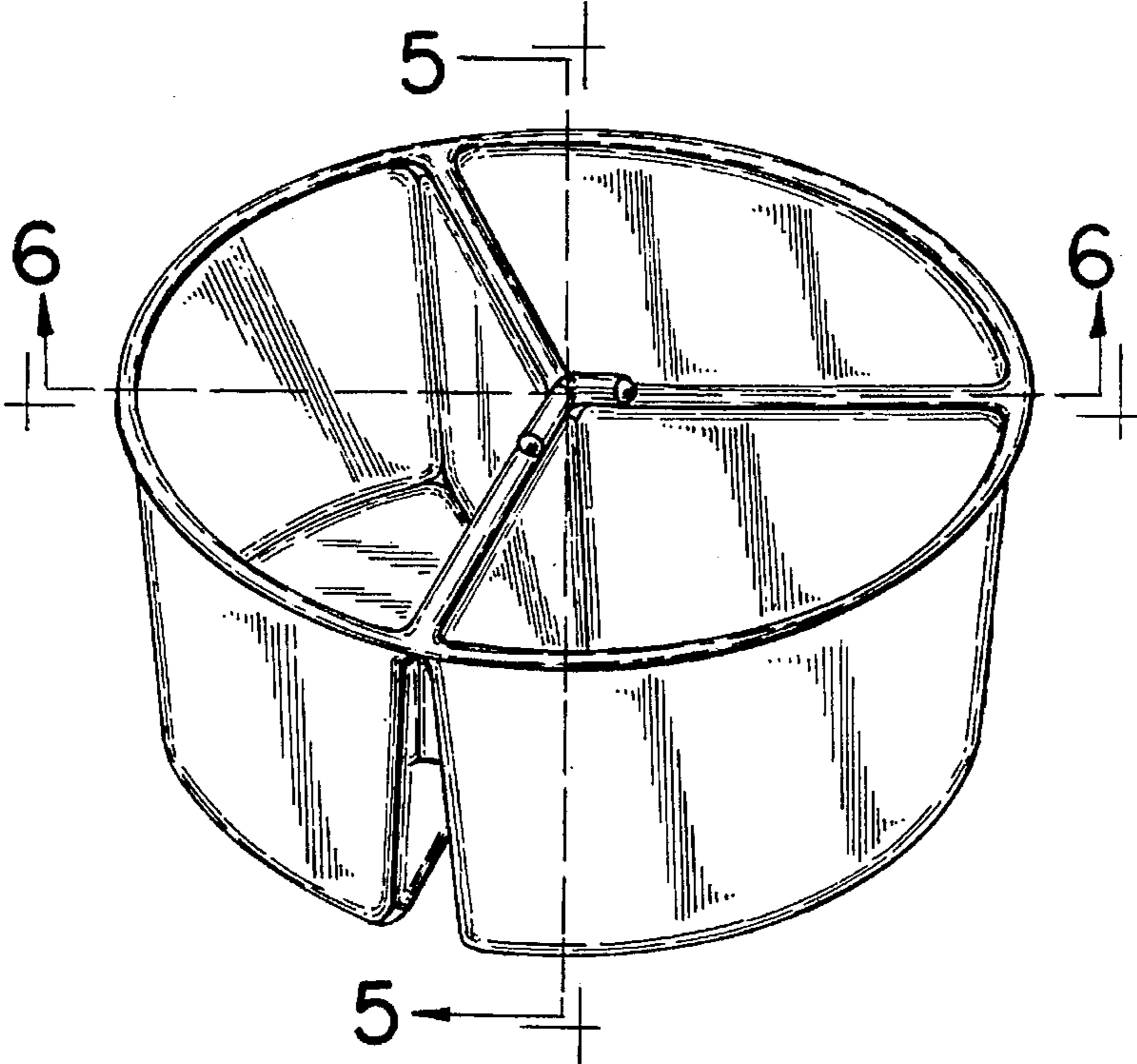


FIG. 1

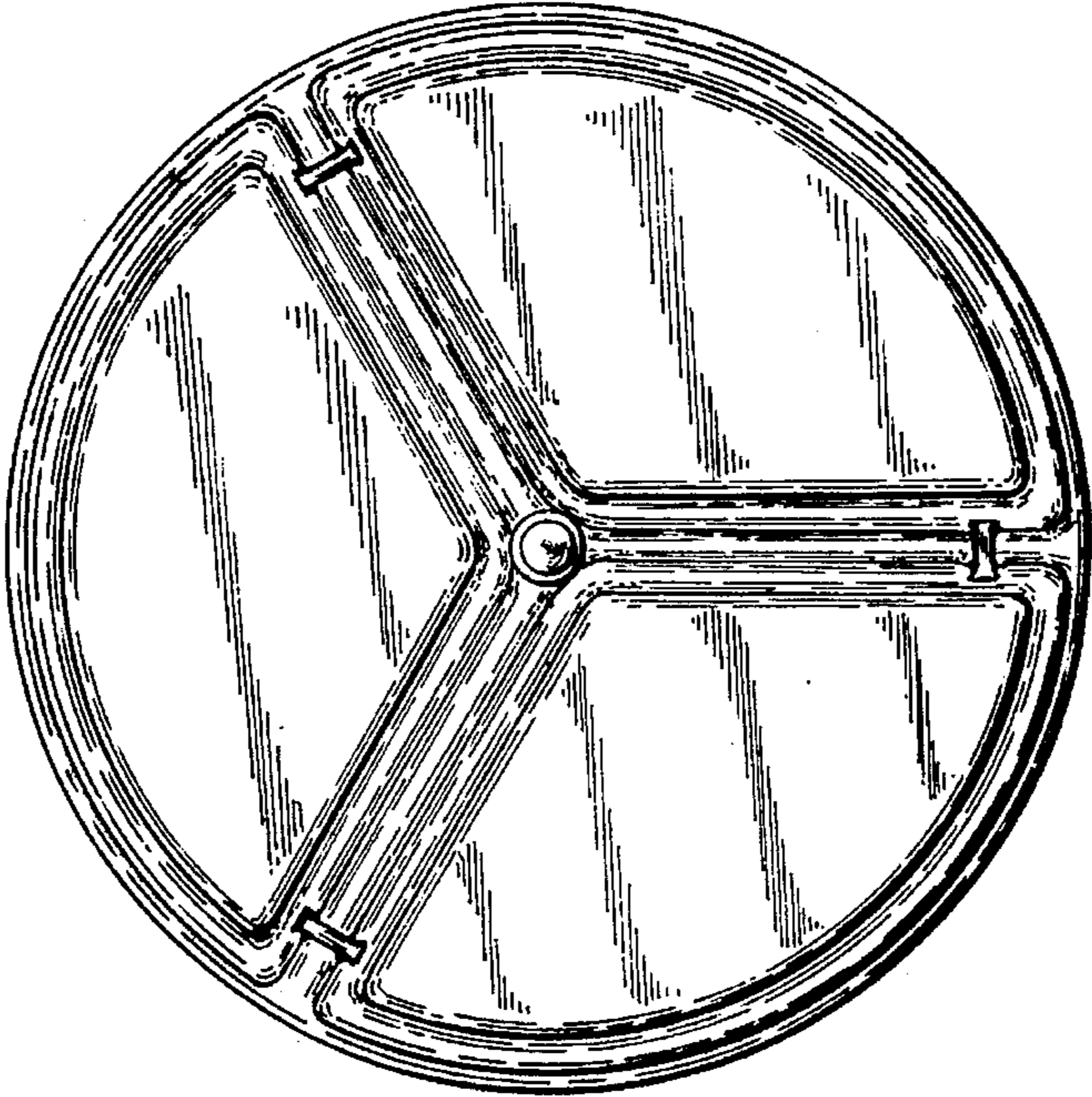


FIG. 2

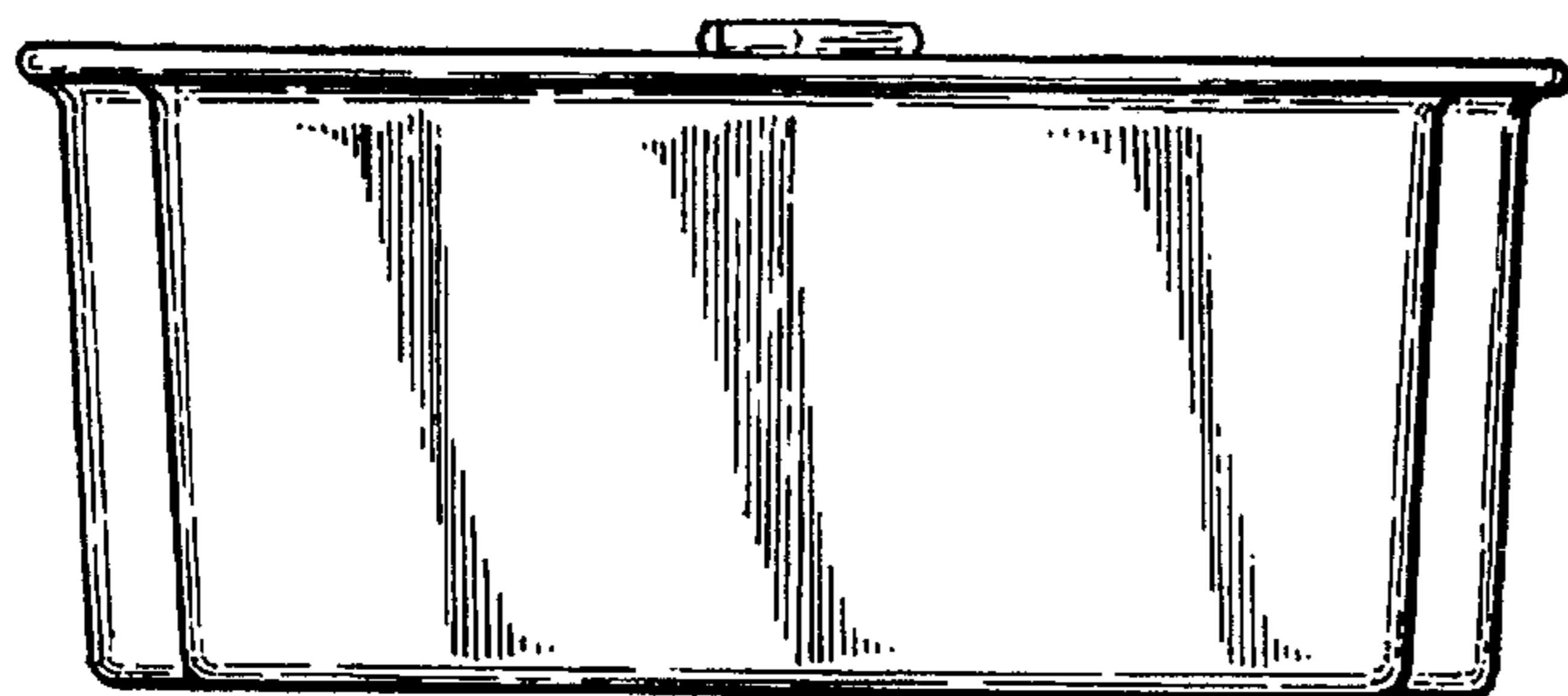


FIG. 3

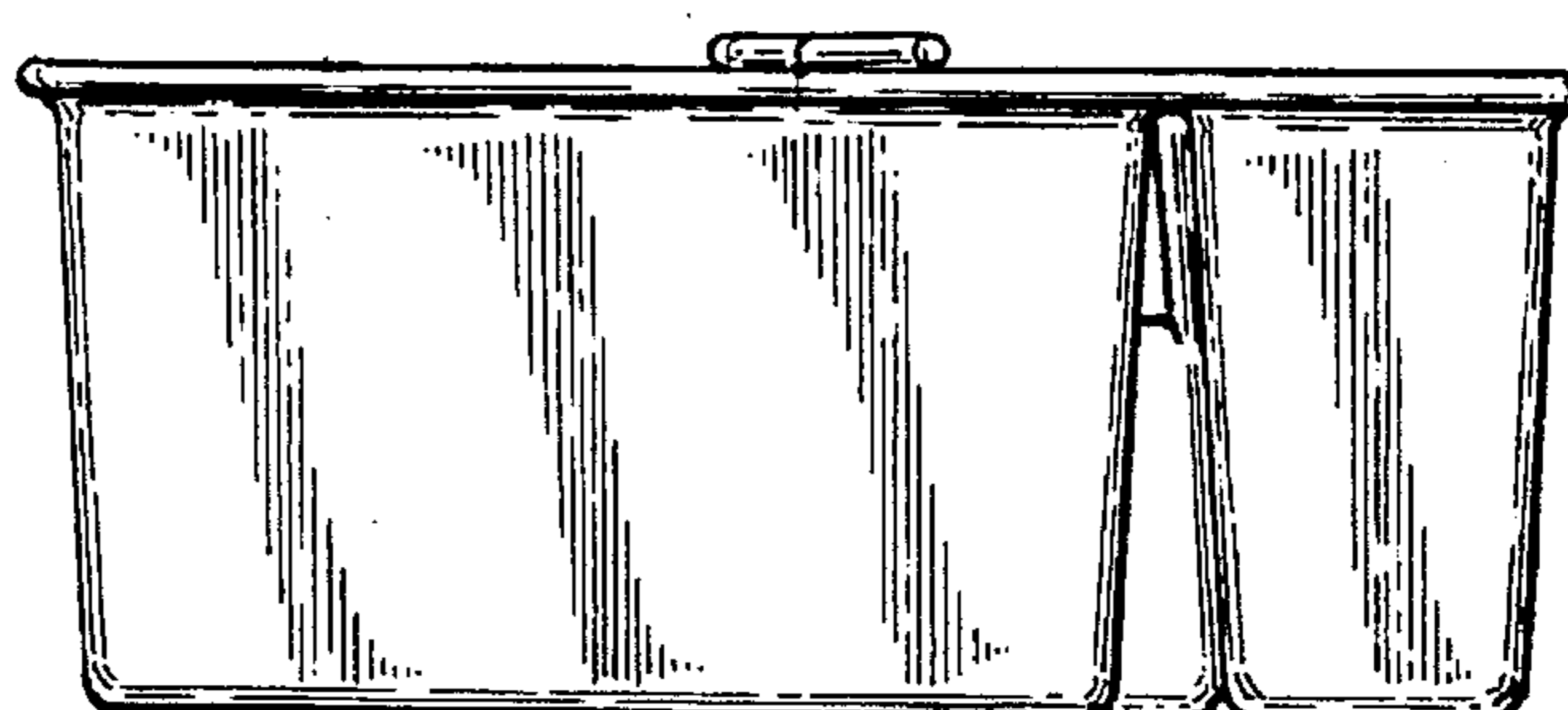


FIG. 4

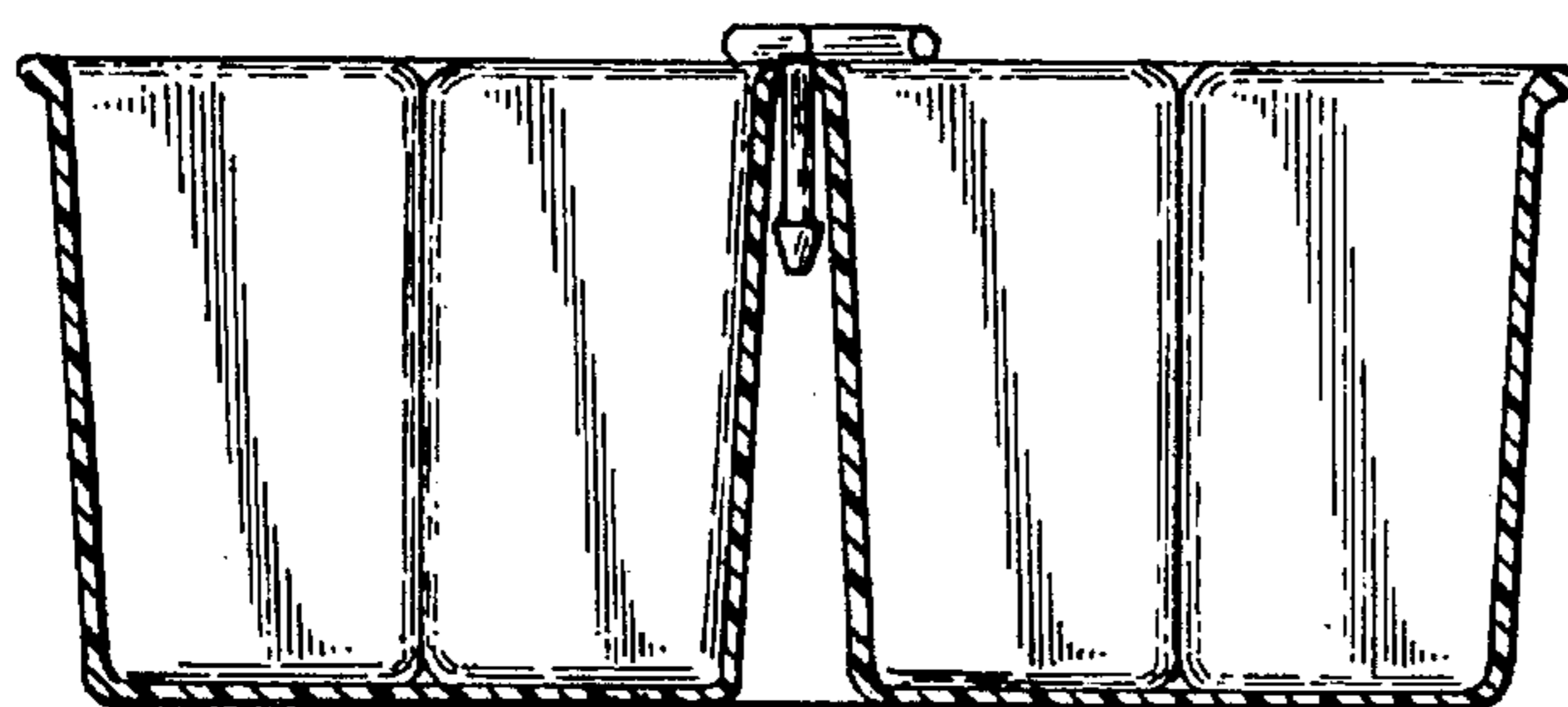


FIG. 5

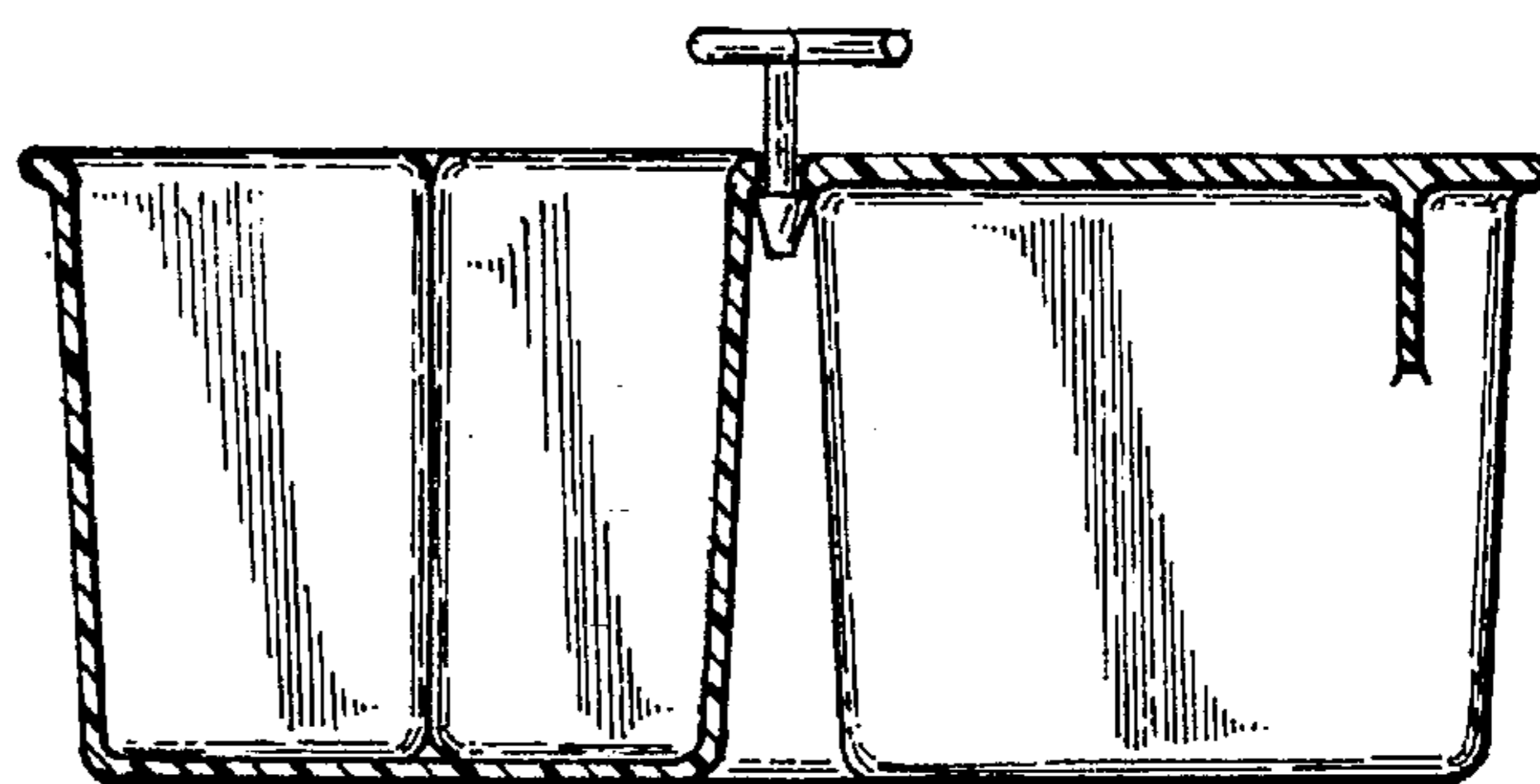


FIG. 6