



US00D375198S

United States Patent [19]

Tashiro

[11] Patent Number: **Des. 375,198**

[45] Date of Patent: ****Nov. 5, 1996**

[54] **INK CARTRIDGE STORAGE CASE**

[75] Inventor: **Naoki Tashiro**, Kawasaki, Japan

[73] Assignee: **Canon Kabushiki Kaisha**, Tokyo, Japan

[**] Term: **14 Years**

[21] Appl. No.: **42,235**

[22] Filed: **Aug. 4, 1995**

[30] **Foreign Application Priority Data**

Feb. 6, 1995 [JP] Japan 7-2763

[52] U.S. Cl. **D3/273**; D9/428

[58] Field of Search D3/269, 273; D9/428, D9/424, 429; 206/508; 220/376, 380, 356, 352

[56] **References Cited**

U.S. PATENT DOCUMENTS

- D. 291,843 9/1987 Searle D9/424
- D. 314,704 2/1991 Lillelund et al. D9/428
- D. 337,051 7/1993 Harbeke D9/424

- D. 346,185 4/1994 Francis D9/428
- D. 346,961 5/1994 Kupperman D9/424
- D. 353,766 12/1994 Thorso D9/428
- 2,854,789 10/1958 Berry 220/356
- 3,995,766 12/1976 Fralick 220/352
- 4,690,271 9/1987 Zak 206/508
- 5,021,351 6/1991 Ervin 206/508

Primary Examiner—Philip S. Hyder
Attorney, Agent, or Firm—Fitzpatrick, Cella, Harper & Scinto

[57] **CLAIM**

The ornamental design for an ink cartridge storage case, as shown and described.

DESCRIPTION

FIG. 1 is a front elevational view of an ink cartridge storage case showing my new design;
FIG. 2 is a right side elevational view thereof;
FIG. 3 is a top plan view thereof;
FIG. 4 is a bottom plan view thereof; and,
FIG. 5 is a perspective view thereof.

1 Claim, 2 Drawing Sheets

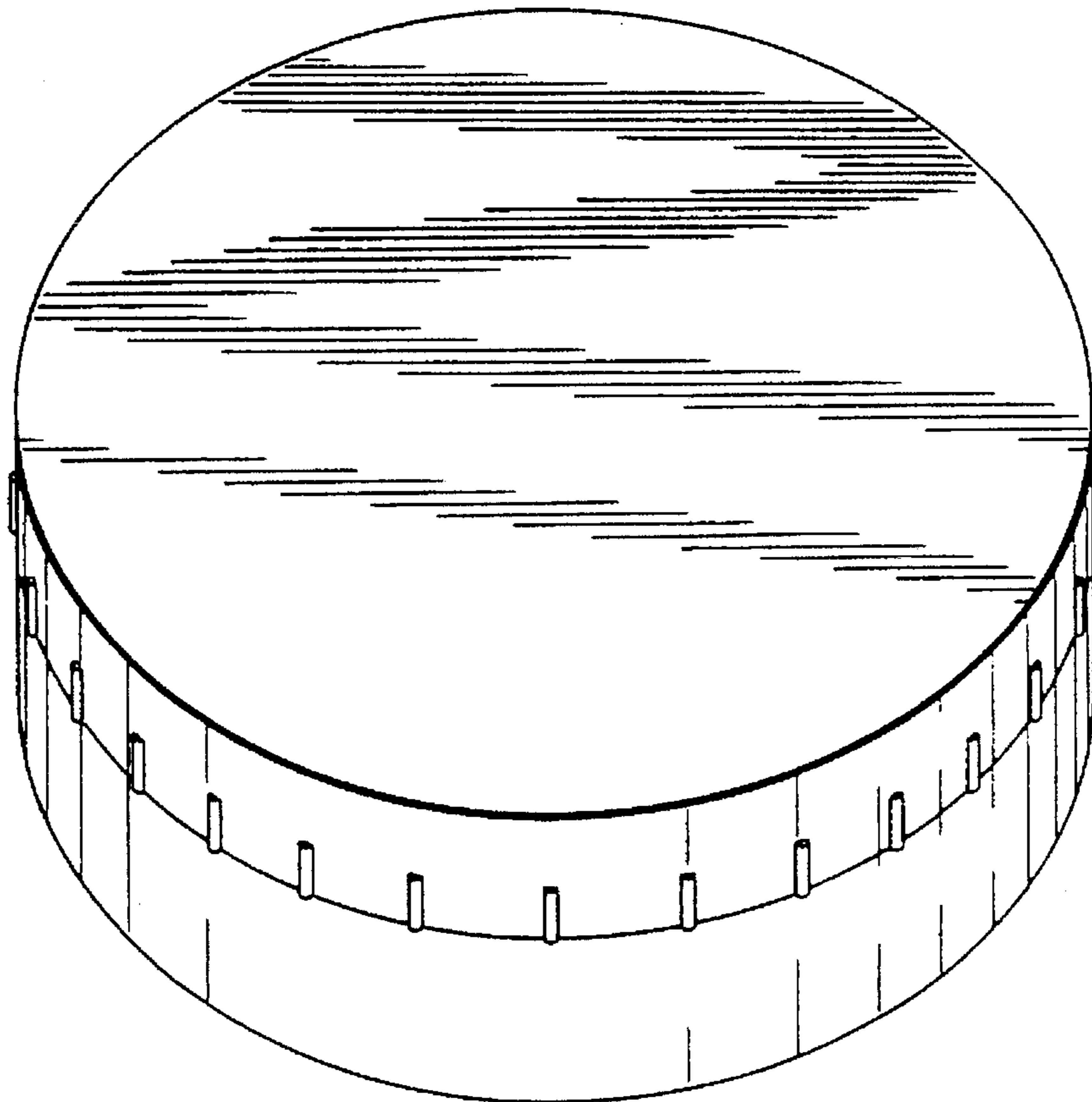


FIG. 1

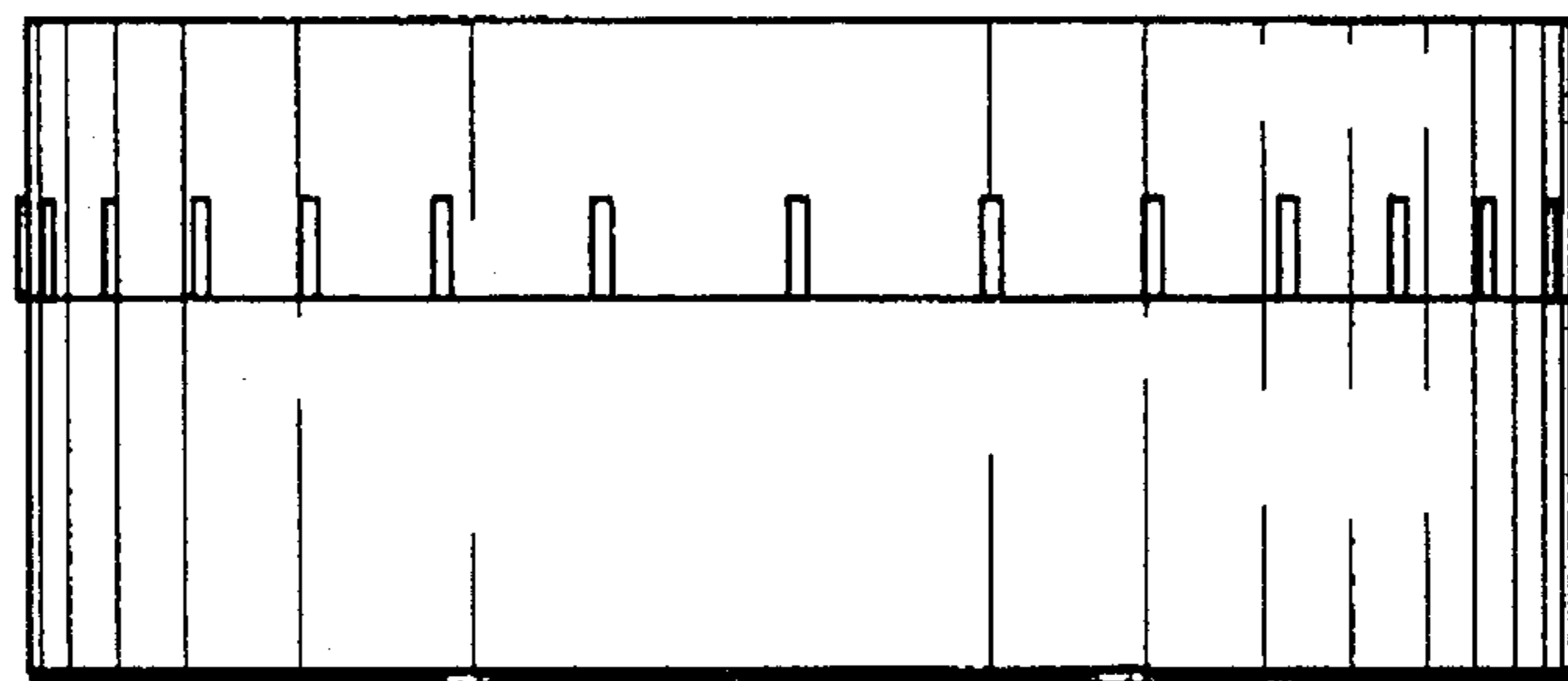


FIG. 2

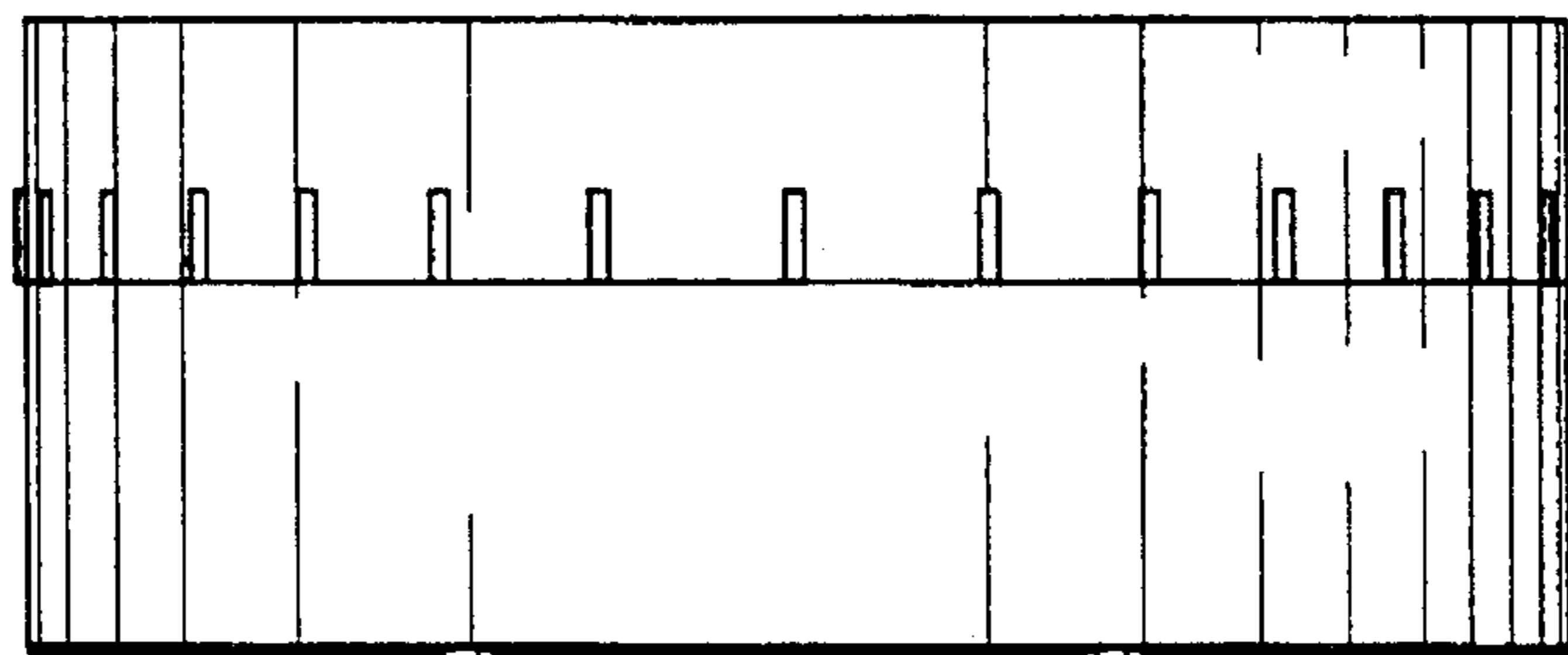


FIG. 3

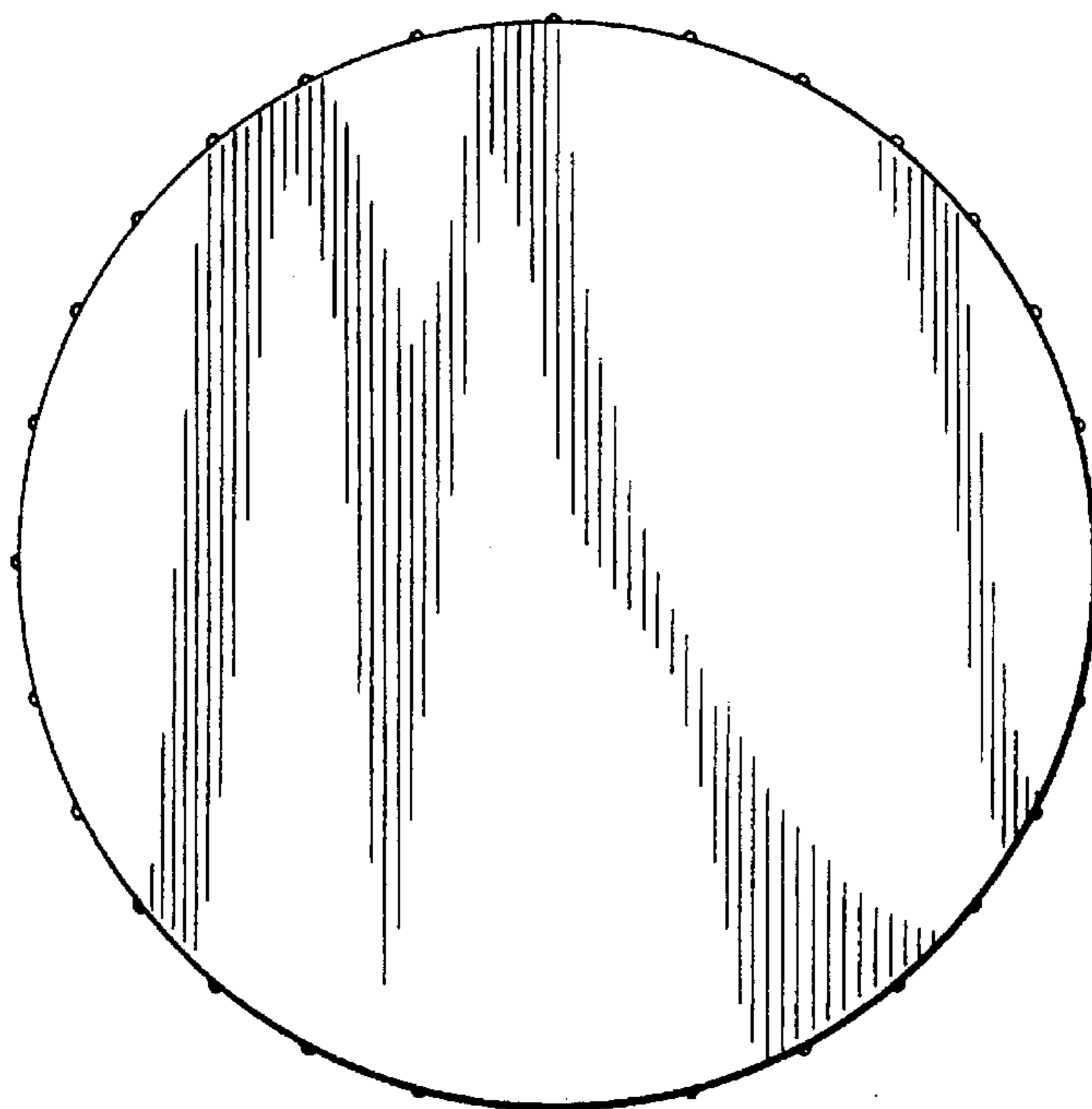


FIG. 4

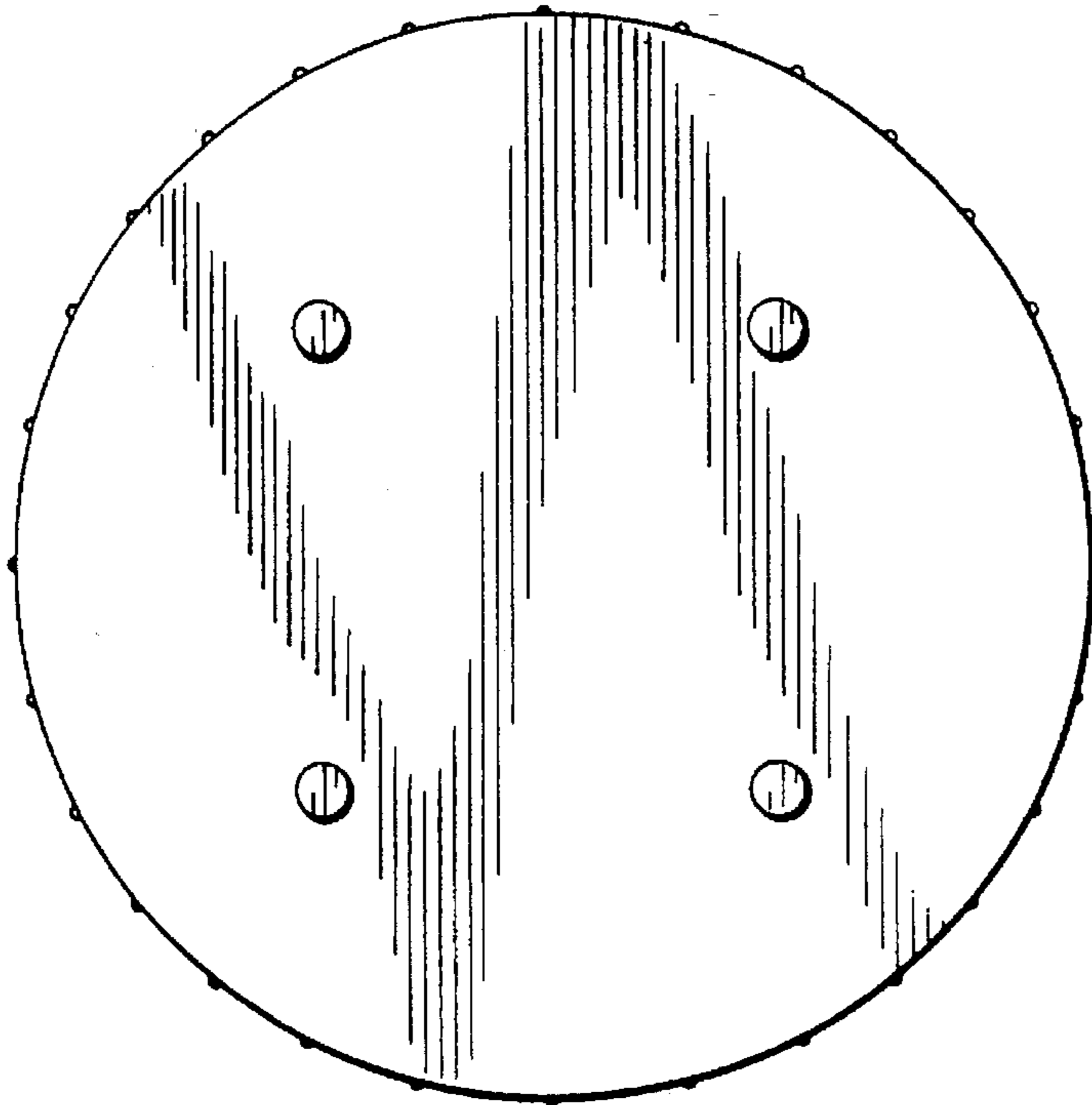


FIG. 5

