



US00D375180S

# United States Patent [19]

Lyons

[11] Patent Number: **Des. 375,180**

[45] Date of Patent: **\*\*Oct. 29, 1996**

[54] **LINEAR STROBE WARNING LIGHT  
FIXTURE**

[75] Inventor: **Harold W. Lyons**, Killingworth, Conn.

[73] Assignee: **Whelen Engineering Company, Inc.**,  
Chester, Conn.

[\*\*] Term: **14 Years**

[21] Appl. No.: **37,168**

[22] Filed: **Apr. 5, 1995**

[52] U.S. Cl. .... **D26/28; D10/114**

[58] **Field of Search** ..... D10/114, 115;  
D26/28-35, 72, 80-92; 362/61, 74, 80,  
80.1, 83, 83.2, 147, 362, 363, 404, 432

[56] **References Cited**

**U.S. PATENT DOCUMENTS**

- D. 282,010 12/1985 Fesenc ..... D26/28
- D. 335,191 4/1993 Morgan ..... D26/28
- D. 356,169 3/1995 Lyons ..... D26/28

4,163,275 7/1979 Weber et al. .... D26/28

*Primary Examiner*—Marcus A. Jackson  
*Attorney, Agent, or Firm*—Chilton, Alix & Van Kirk

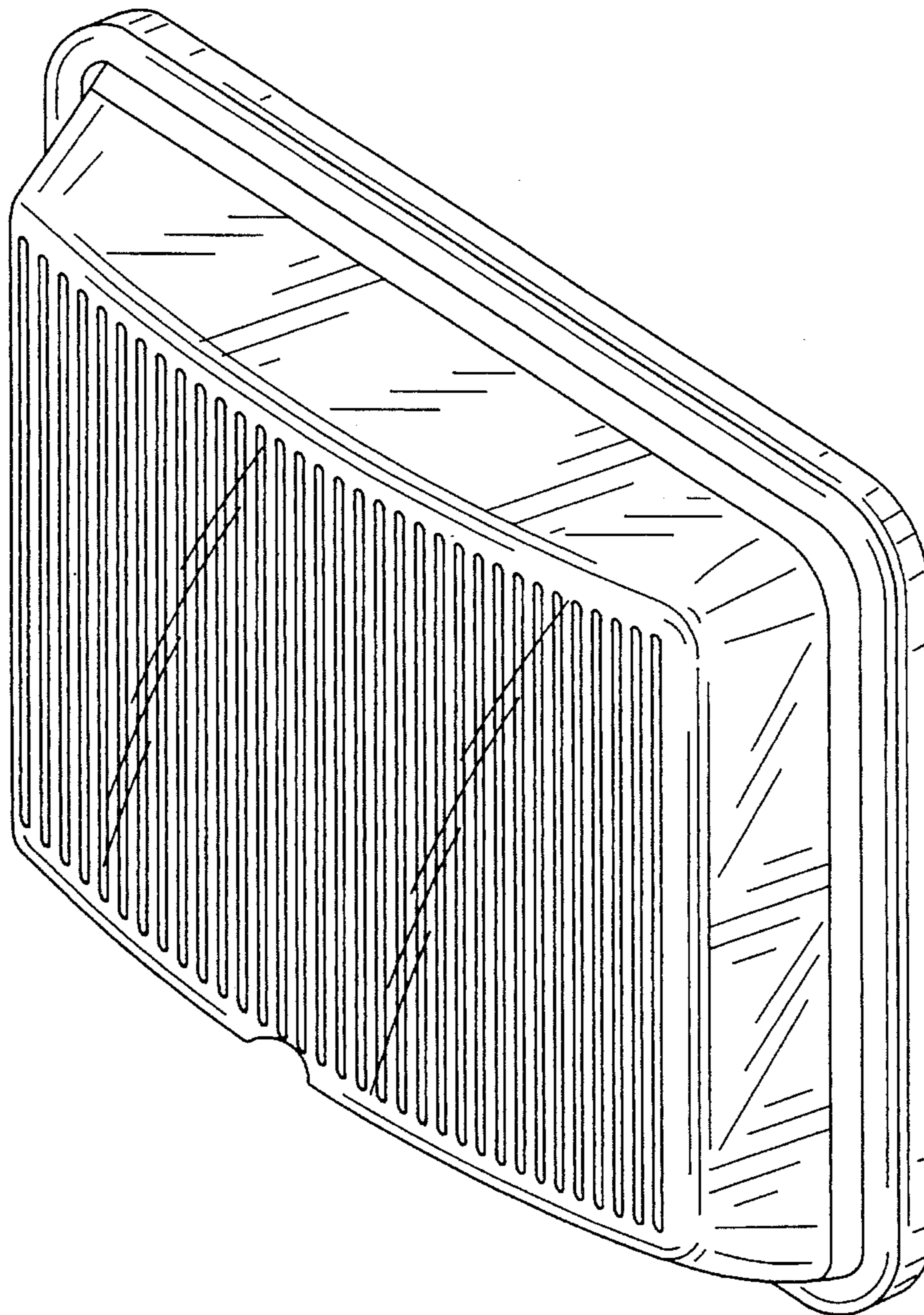
[57] **CLAIM**

The ornamental design for a linear strobe warning light fixture, as shown and described.

**DESCRIPTION**

FIG. 1 is a front elevation view of a light fixture for vehicles showing my new design;  
 FIG. 2 is a side elevational view thereof, FIG. 2 being taken from the left side as the light fixture is depicted in FIG. 1, the light fixture appearing the same when viewed from the opposite side;  
 FIG. 3 is an enlarged top view thereof;  
 FIG. 4 is an enlarged bottom view thereof; and,  
 FIG. 5 is a reduced perspective view thereof.  
 The appearance of my design as seen from the rear forms no part of the claimed design.

**1 Claim, 5 Drawing Sheets**



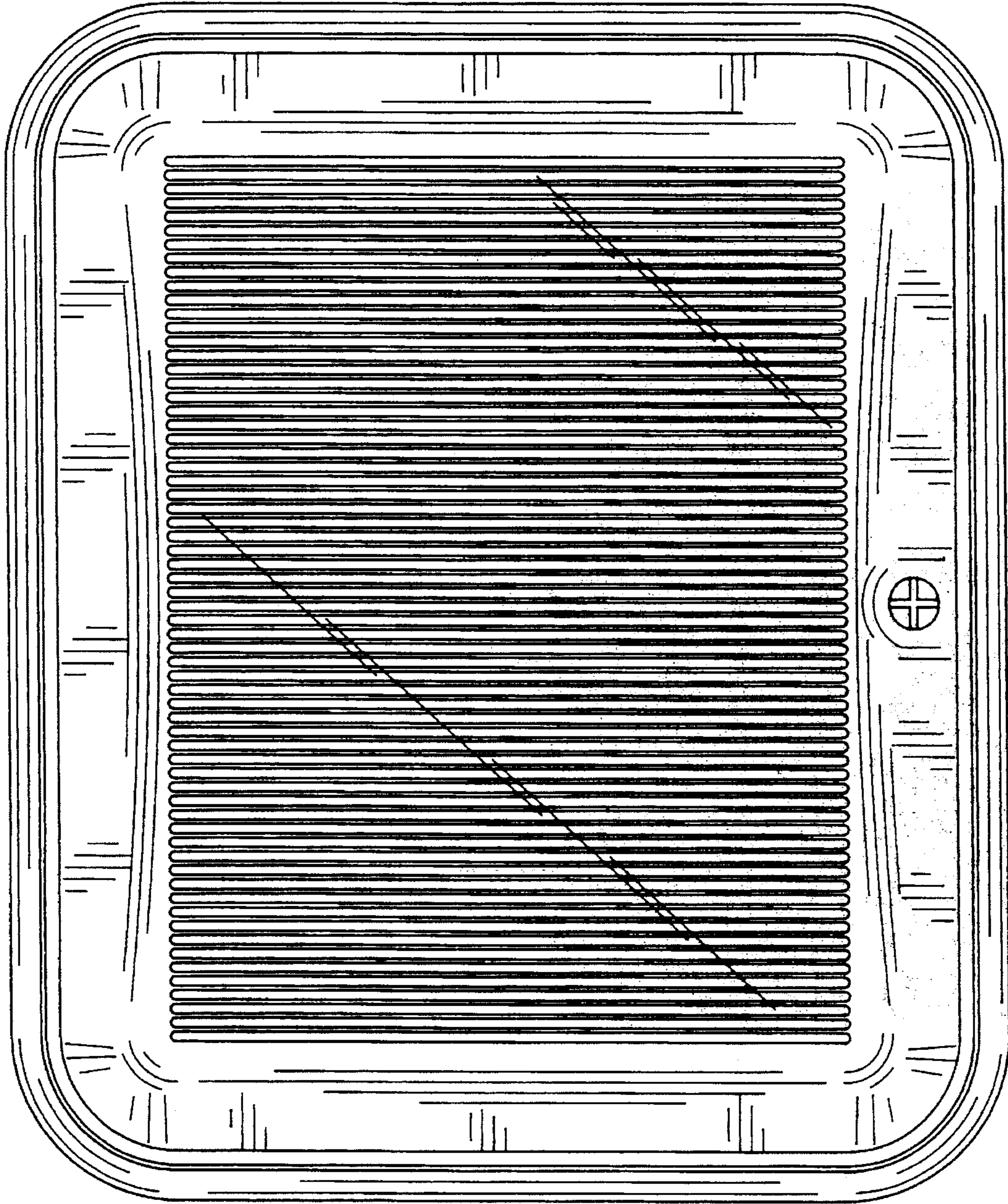


FIG. 1

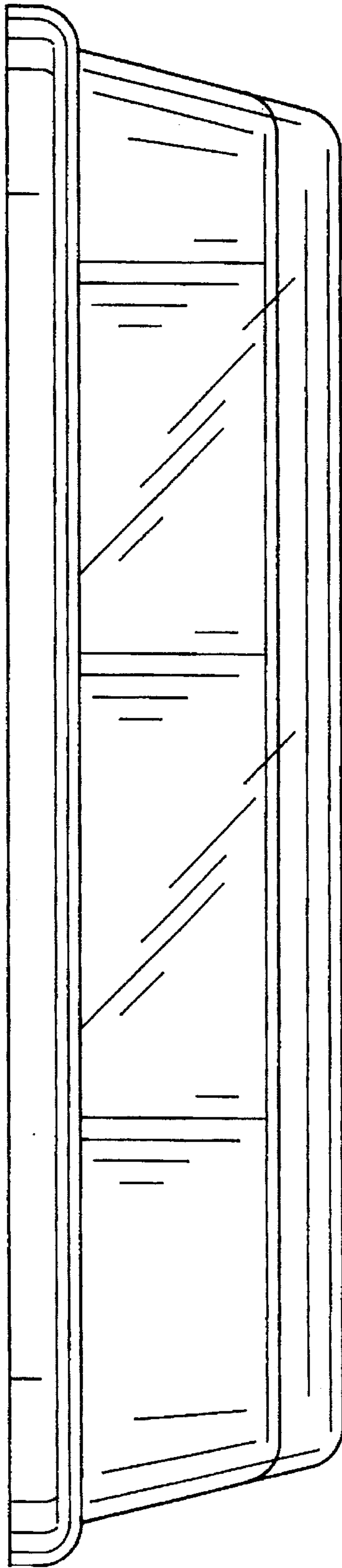


FIG. 2

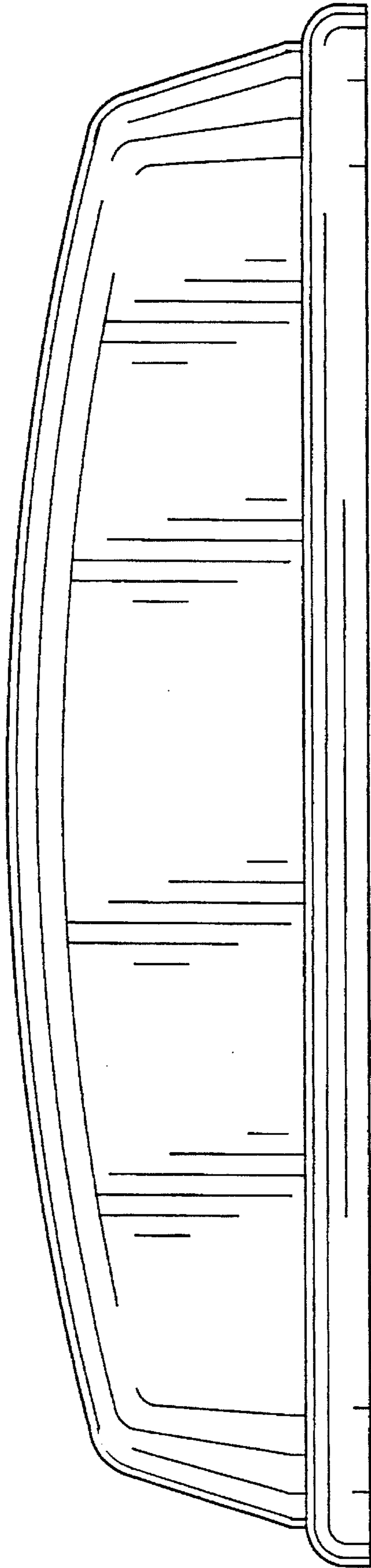


FIG. 3



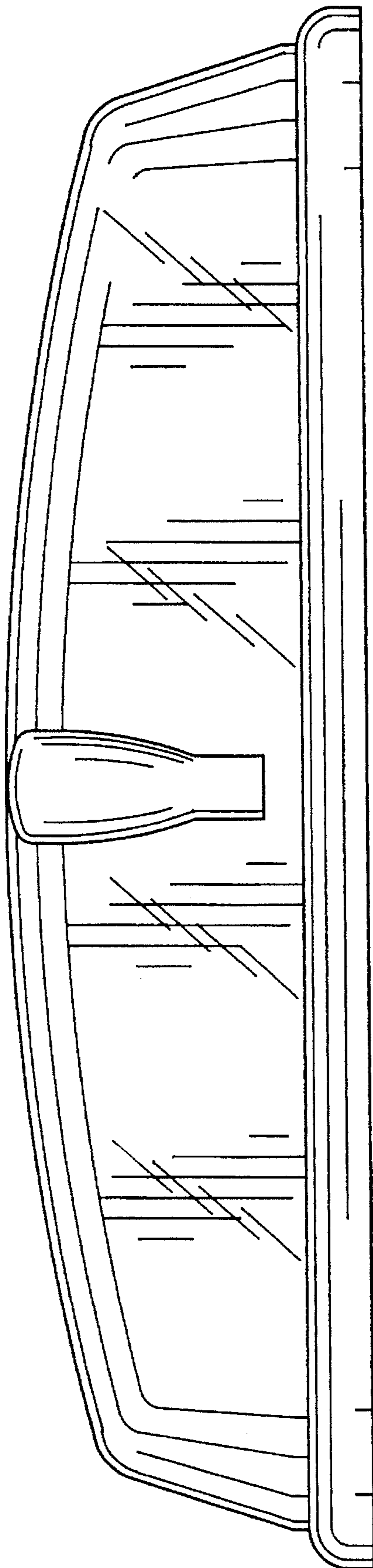


FIG. 4

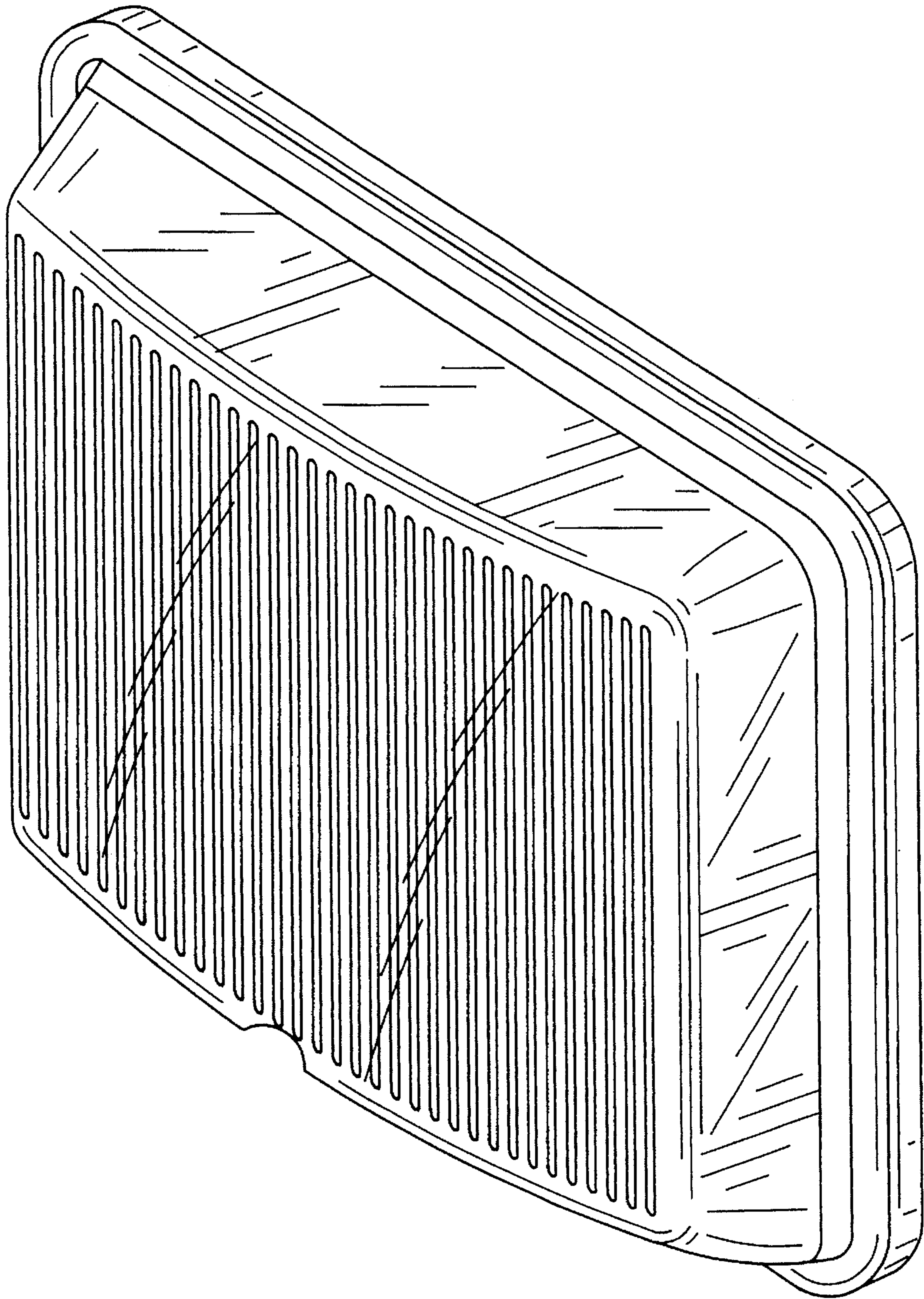


FIG. 5