



US00D375177S

**United States Patent** [19]

[11] **Patent Number: Des. 375,177**

**Franck**

[45] **Date of Patent: \*\*Oct. 29, 1996**

[54] **REFLECTOR-TYPE FLUORESCENT LAMP**

[75] Inventor: **Guenter Franck**, Ebenhausen, Germany

[73] Assignee: **Osram GmbH**, Munich, Germany

[\*\*] Term: **14 Years**

[21] Appl. No.: **46,173**

[22] Filed: **Nov. 8, 1995**

D. 295,087	4/1988	Nakamura et al. .	
D. 296,475	6/1988	Gallagher .....	D26/3
D. 321,502	11/1991	Ilemo .	
D. 329,710	9/1992	Muller et al. .	
D. 339,646	9/1993	Zim .	
D. 355,496	2/1995	Franck .....	D26/3

*Primary Examiner*—Marcus A. Jackson  
*Attorney, Agent, or Firm*—Frishauf, Holtz, Goodman, Langer & Chick, P.C.

**Related U.S. Application Data**

[62] Division of Ser. No. 32,217, Dec. 14, 1994, Pat. No. Des. 369,869.

**Foreign Application Priority Data**

Jul. 14, 1994	[DE]	Germany .....	M 9405652.8
[52]	<b>U.S. Cl.</b> .....		<b>D26/3</b>
[58]	<b>Field of Search</b> .....	D26/1, 2, 3, 4, D26/26; 313/315, 317, 318, 115, 116, 493; 362/217, 297, 307, 309, 310, 311, 326, 337, 338, 339	

[56] **References Cited**

**U.S. PATENT DOCUMENTS**

D. 252,954	9/1979	Shiibashi .....	D26/3
D. 268,954	5/1983	Roche .....	D26/3
D. 295,082	4/1988	Nakamura et al. ....	D26/3
D. 295,083	4/1988	Nakamura et al. ....	D26/3

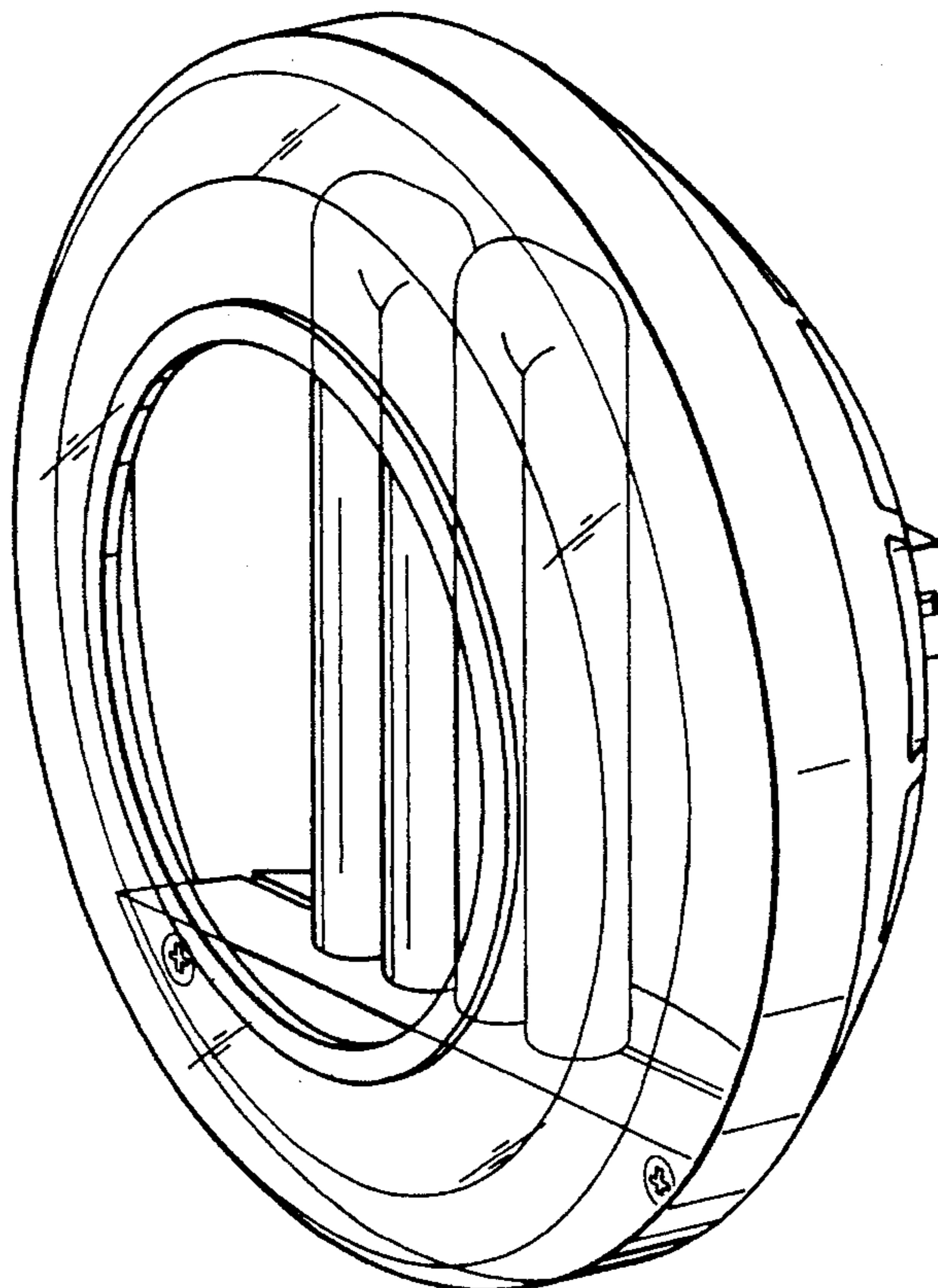
[57] **CLAIM**

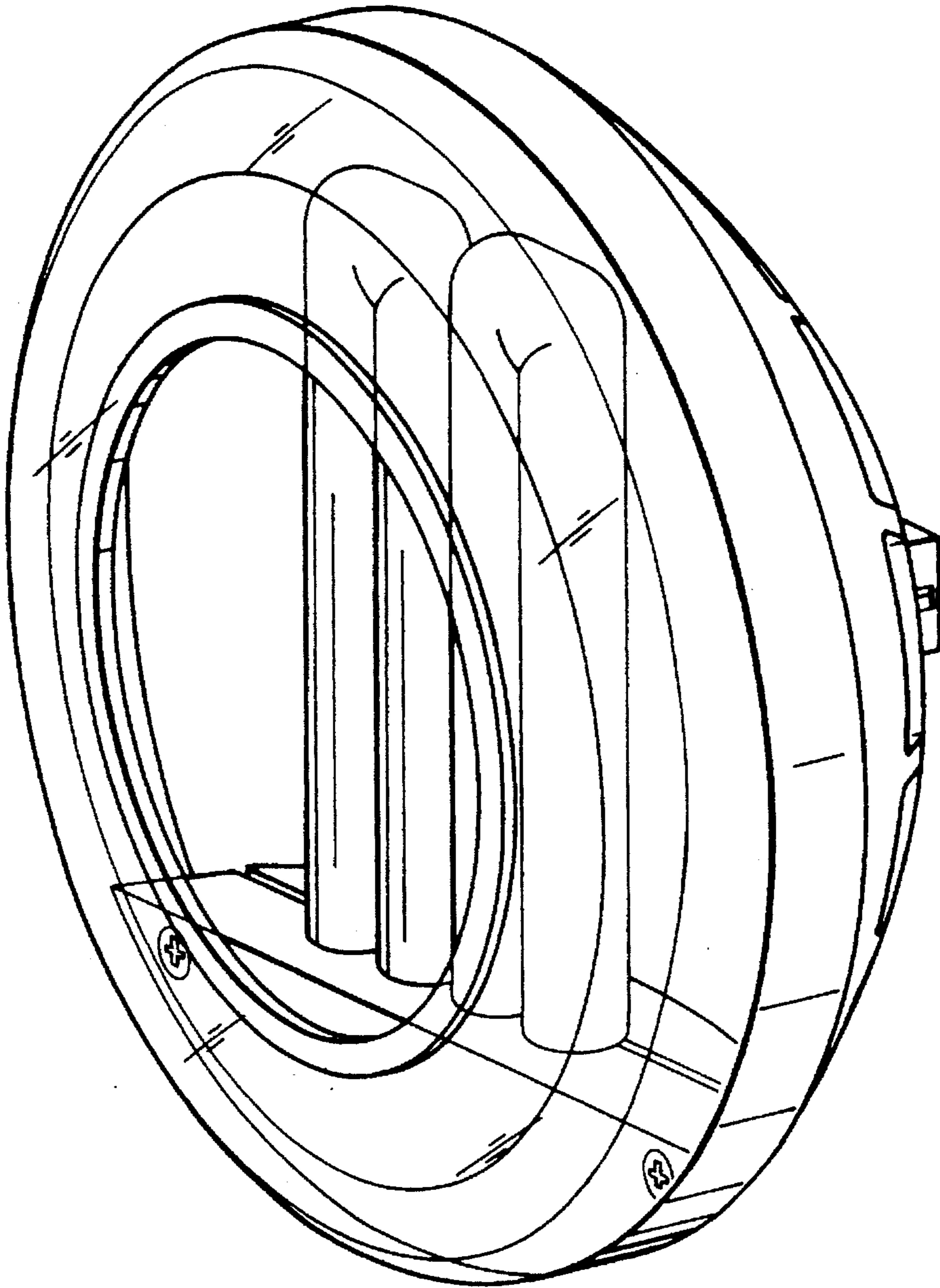
The ornamental design for a reflector-type fluorescent lamp, as shown and described.

**DESCRIPTION**

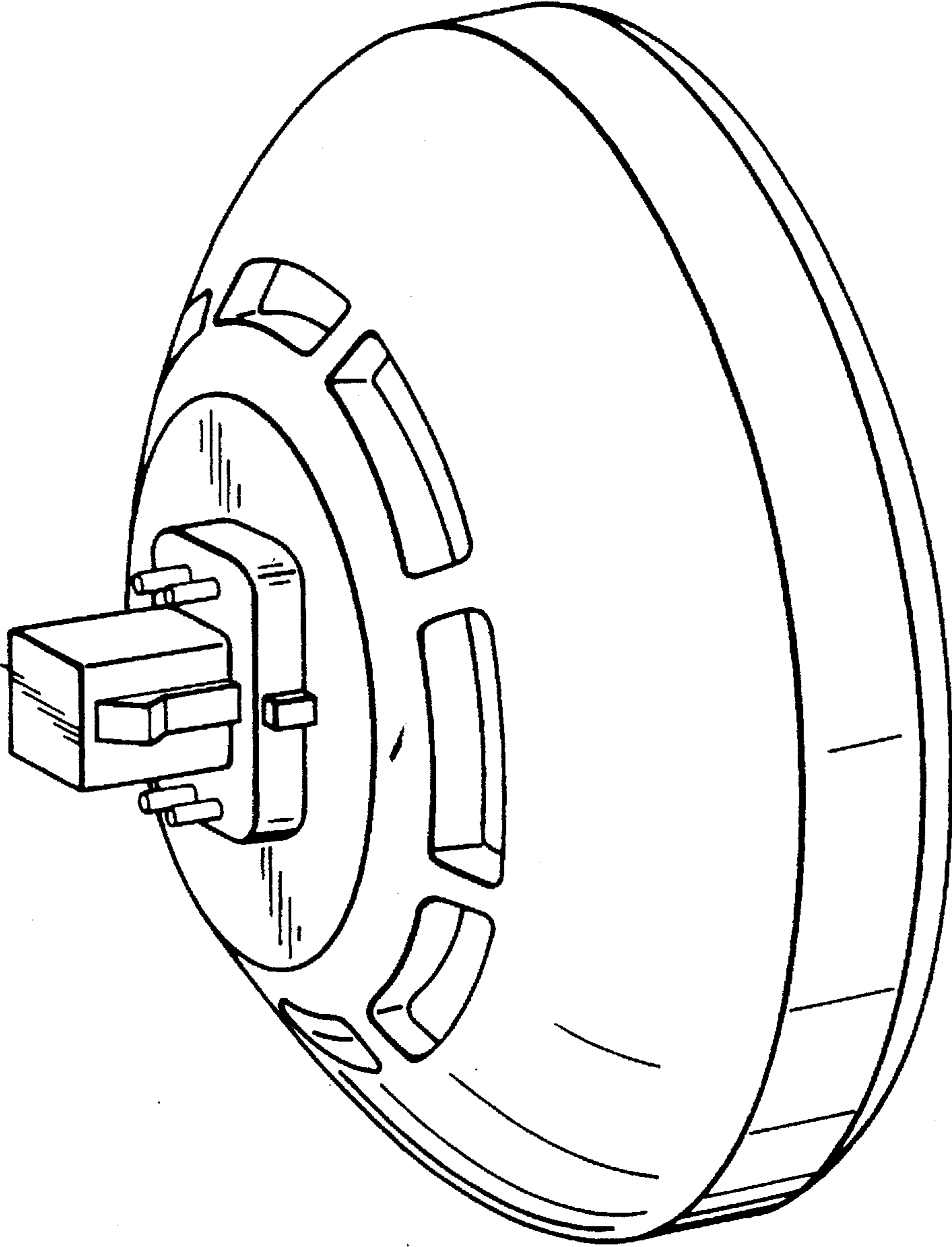
FIG. 1 is a front perspective view of a reflector-type fluorescent lamp showing my new design;  
 FIG. 2 is a rear-perspective view thereof;  
 FIG. 3 is a right side elevational view thereof;  
 FIG. 4 is a left side elevational view thereof;  
 FIG. 5 is a bottom plan view thereof;  
 FIG. 6 is a top plan, or front view thereof;  
 FIG. 7 is a front perspective view of a second embodiment thereof;  
 FIG. 8 is a rear perspective view thereof;  
 FIG. 9 is a right side elevational view thereof;  
 FIG. 10 is a left side elevational view thereof;  
 FIG. 11 is a rear plan view thereof; and,  
 FIG. 12 is a front view thereof.

**1 Claim, 10 Drawing Sheets**

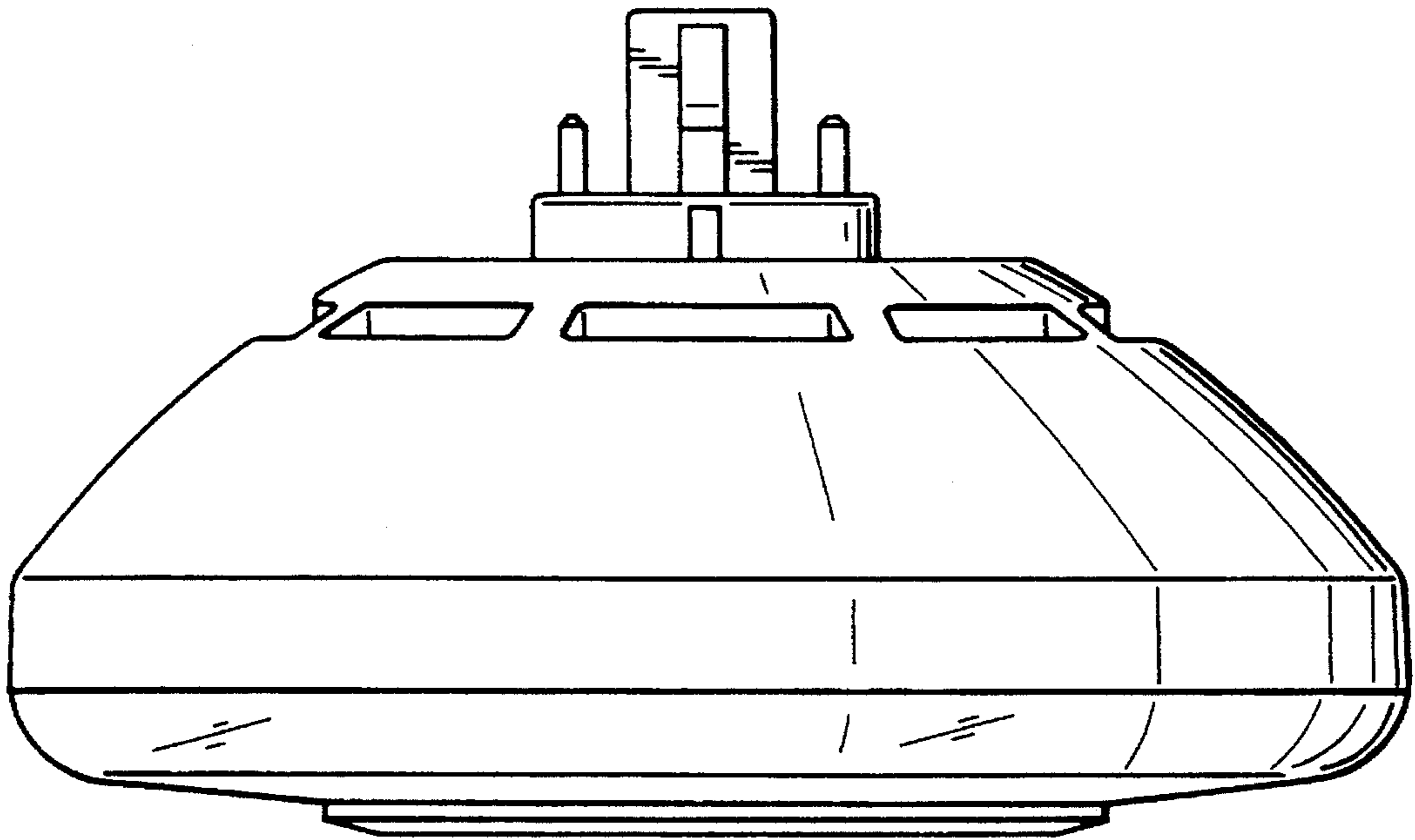




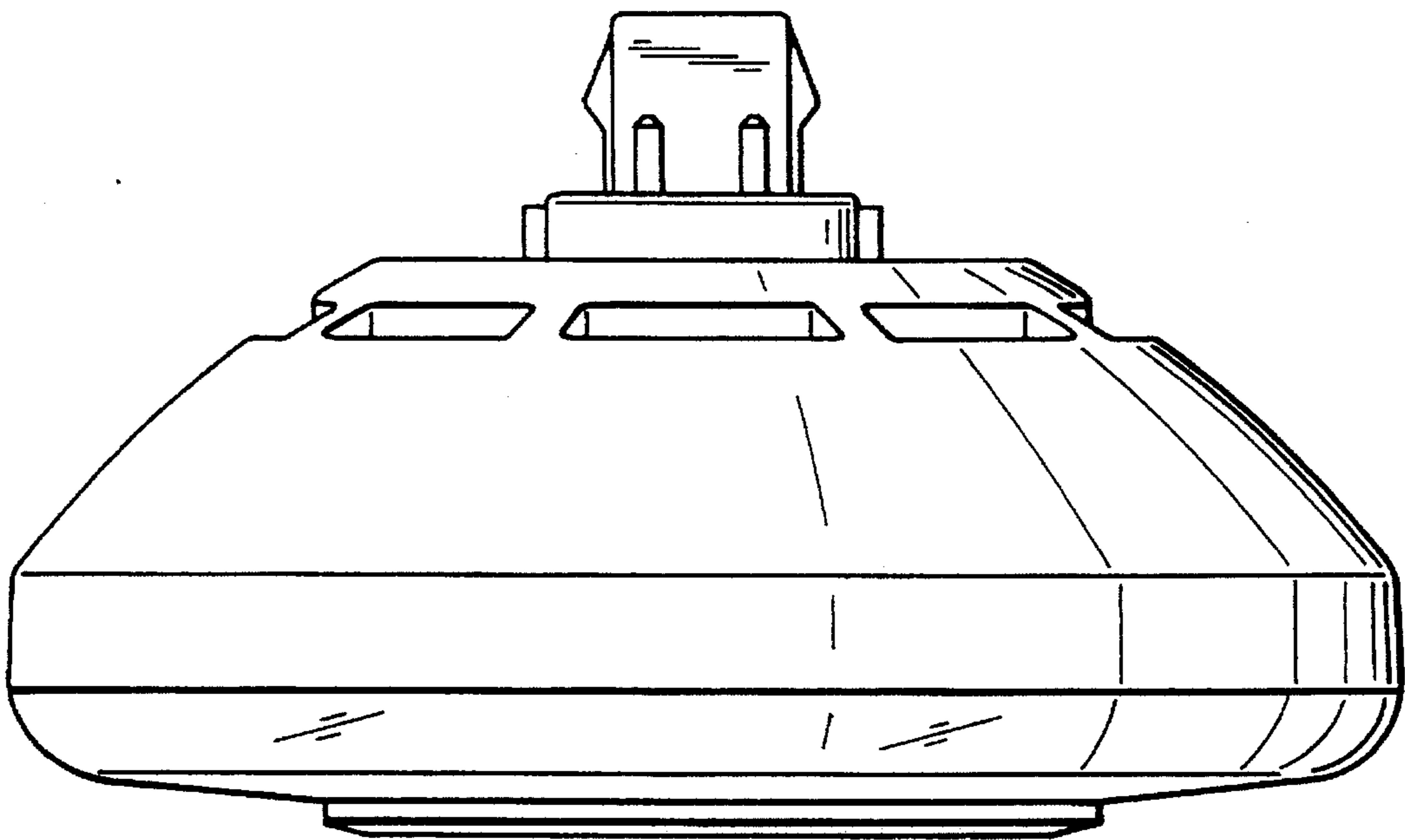
***Fig. 1***



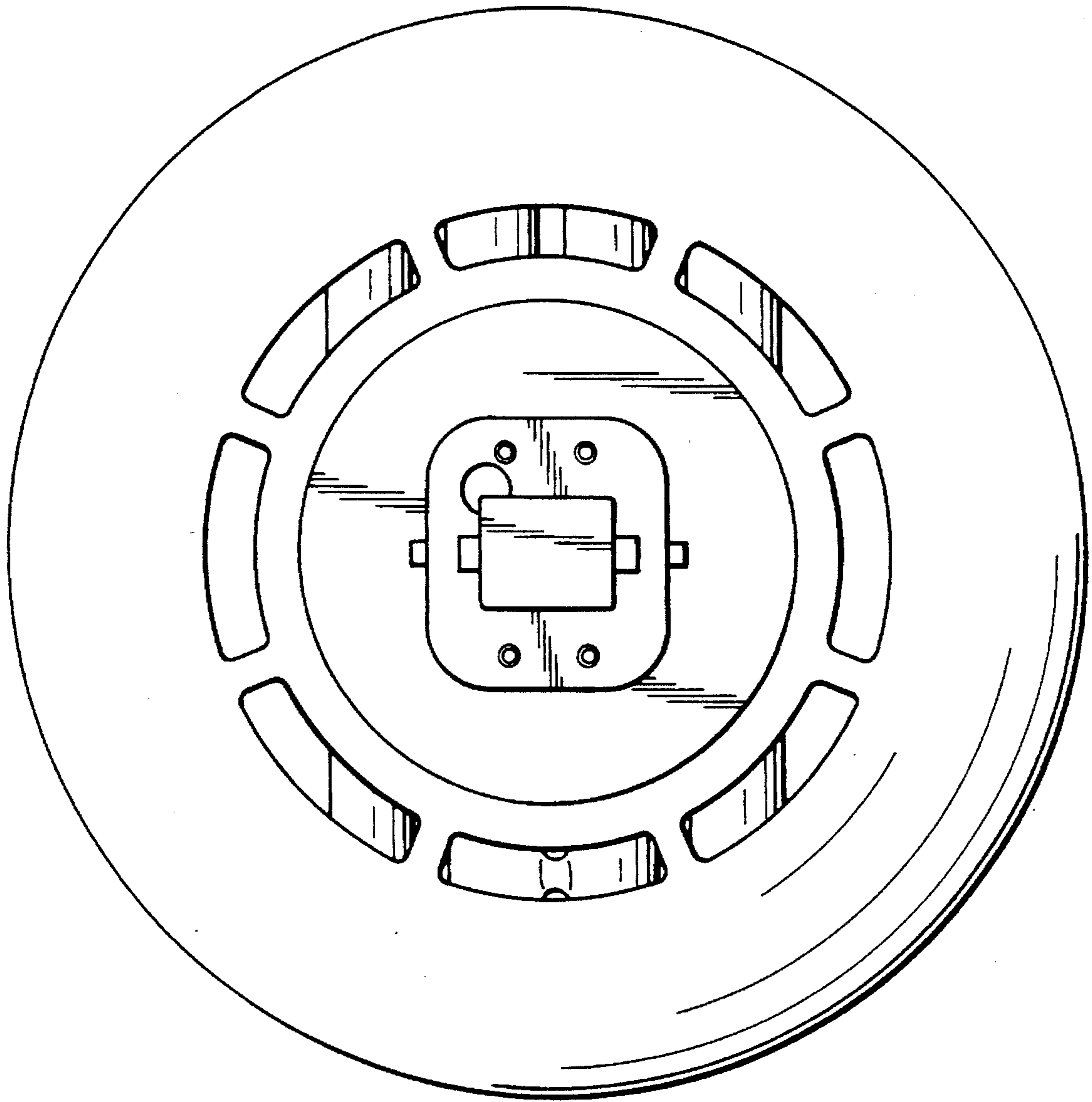
***Fig. 2***



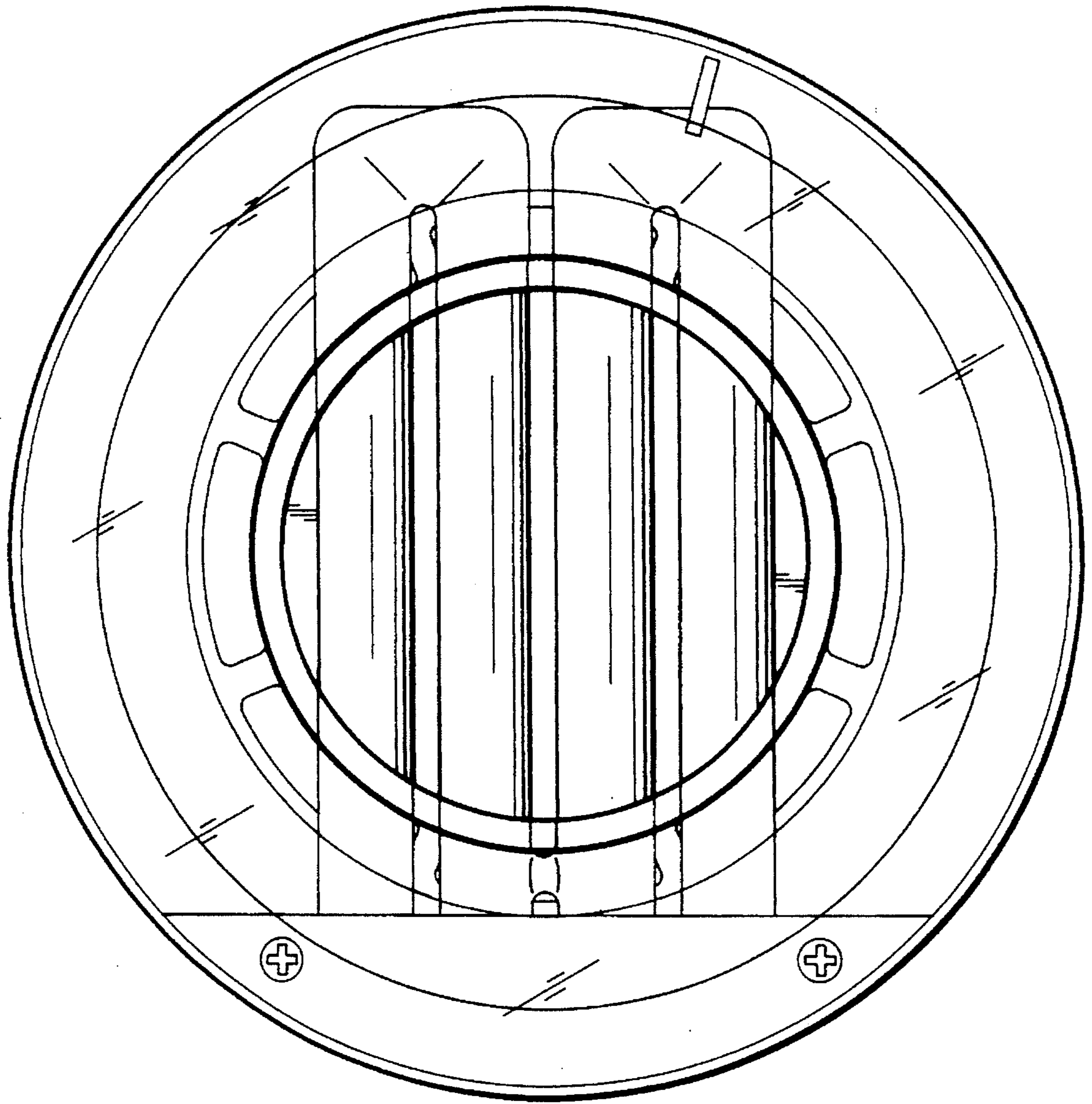
***Fig. 3***



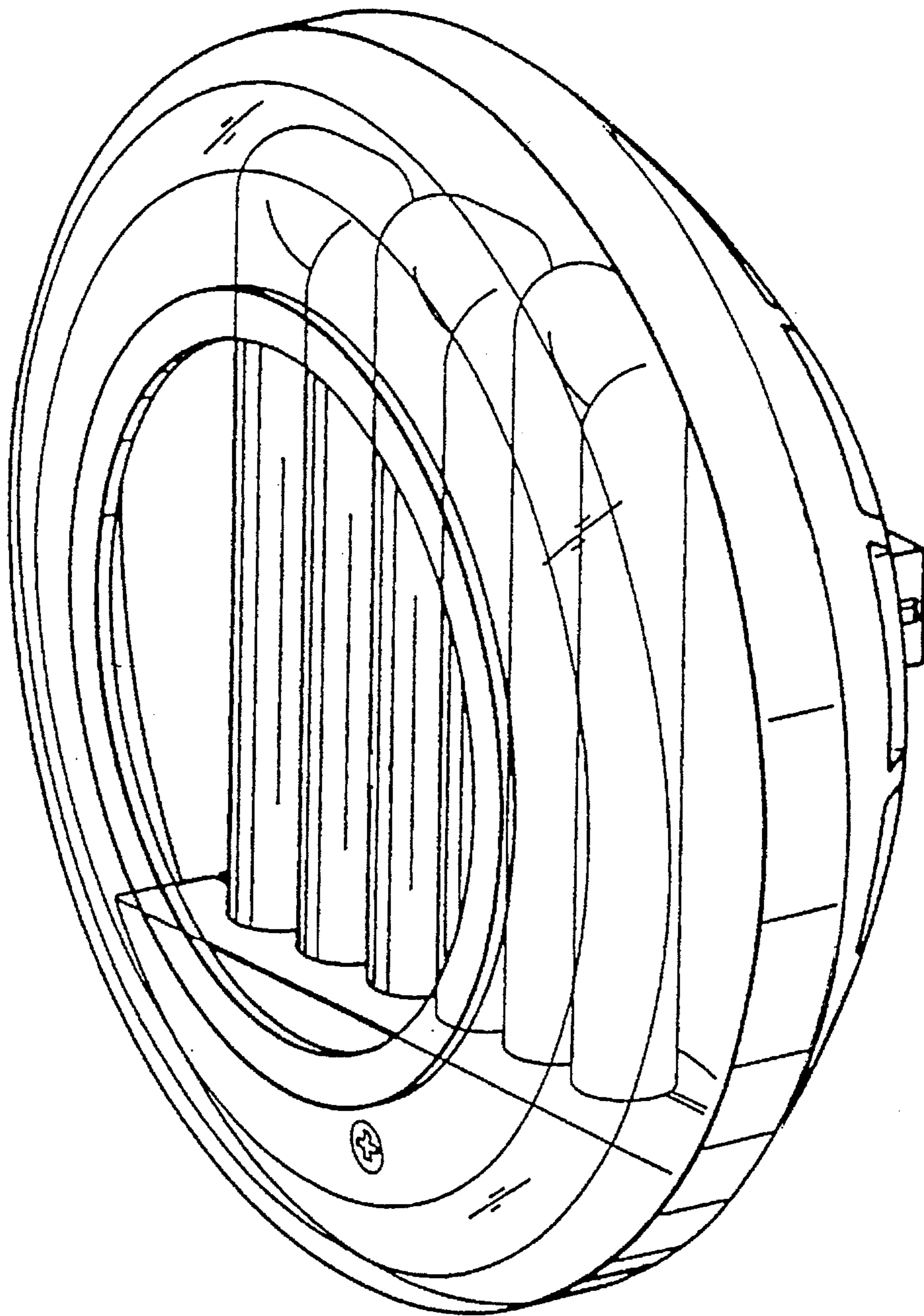
***Fig. 4***



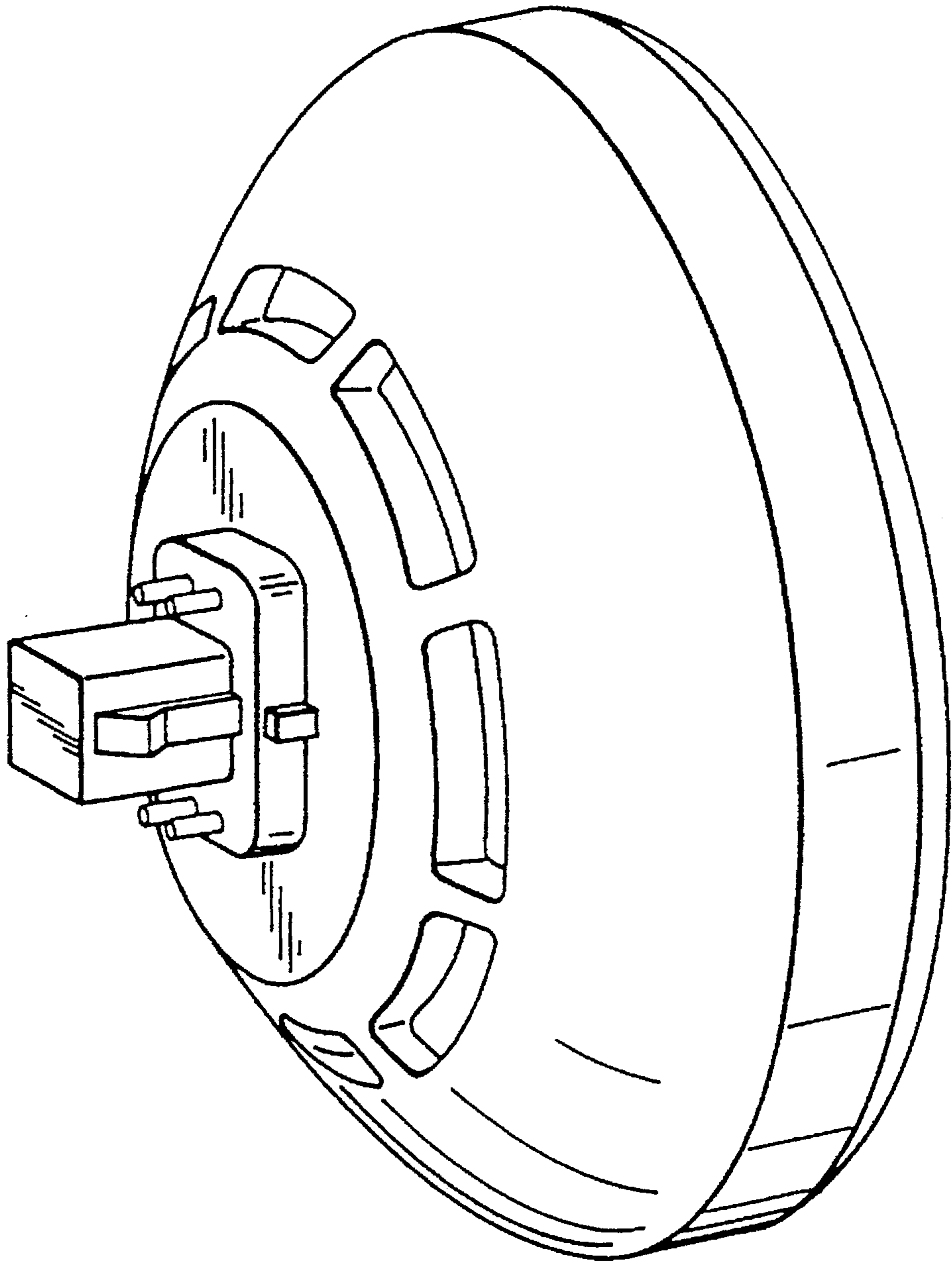
***Fig. 5***



***Fig. 6***

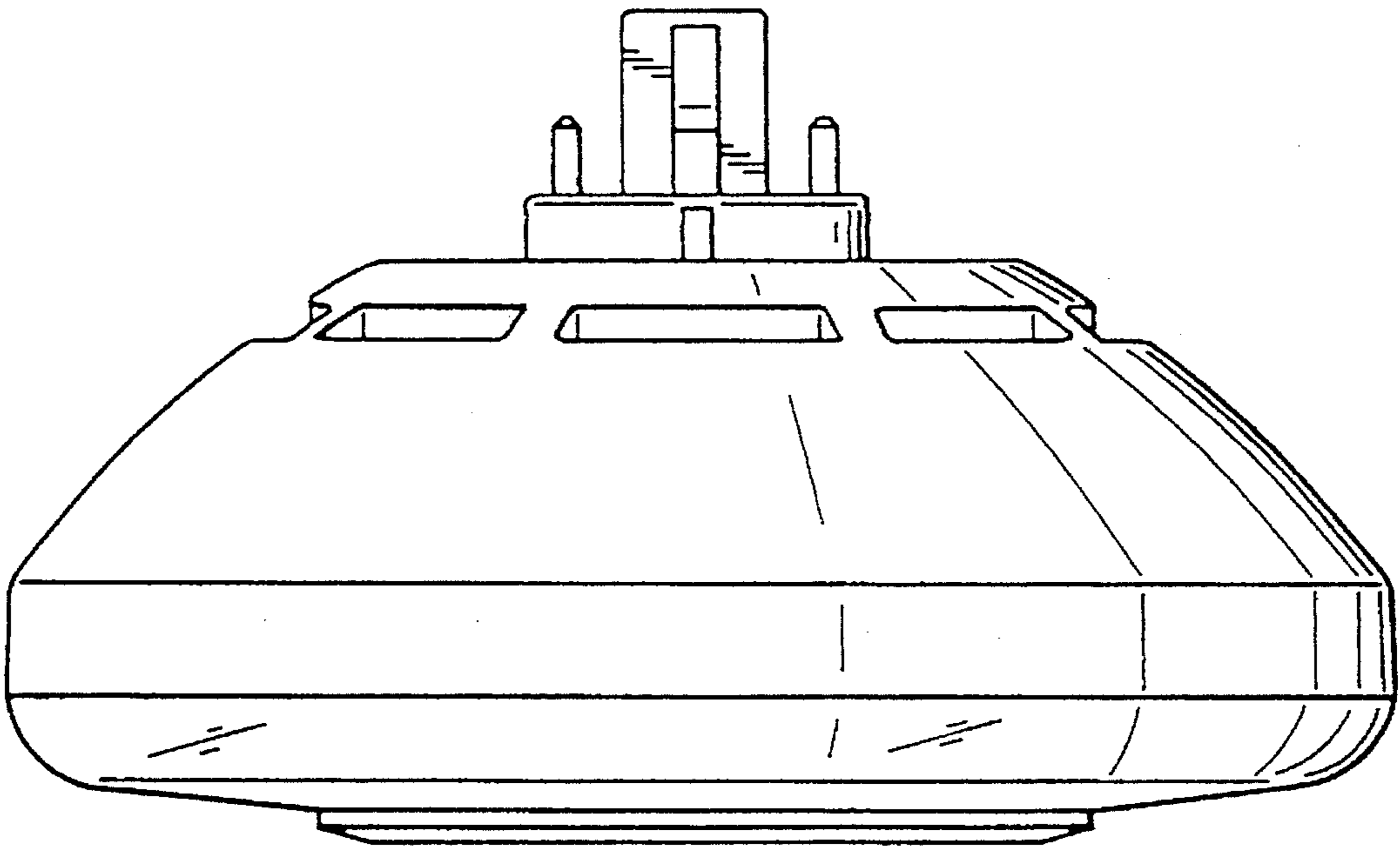


***Fig. 7***

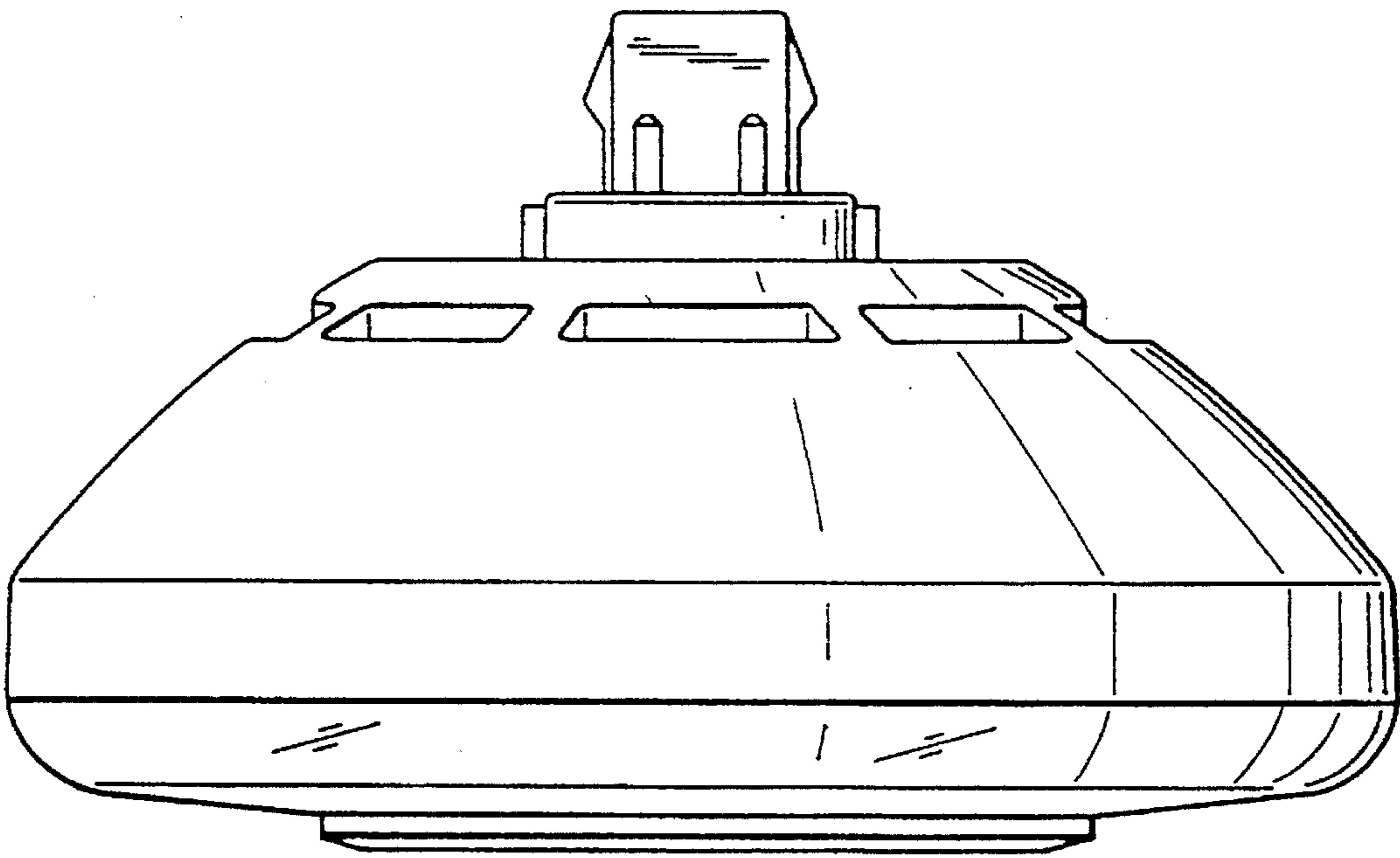


***Fig. 8***

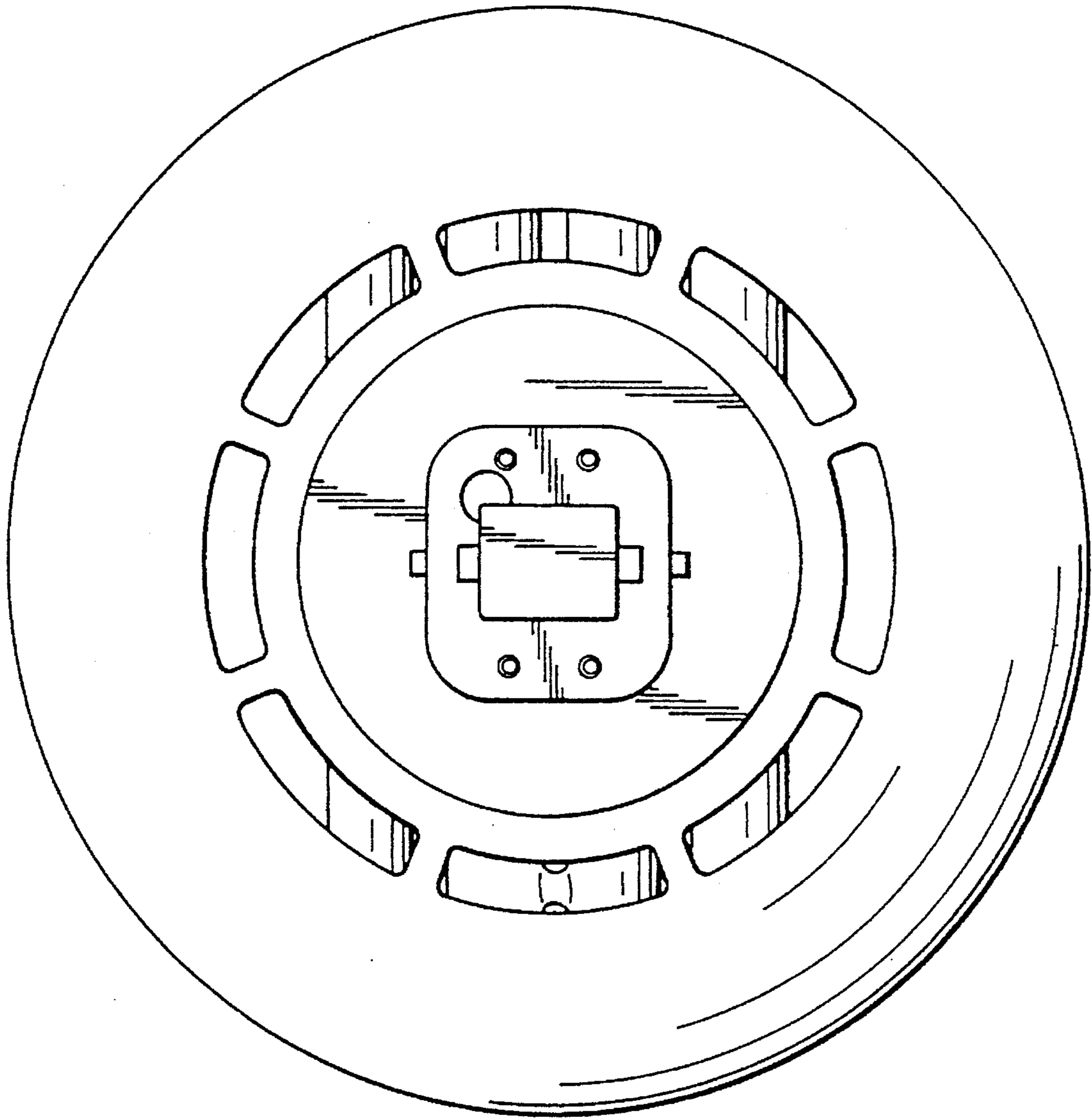




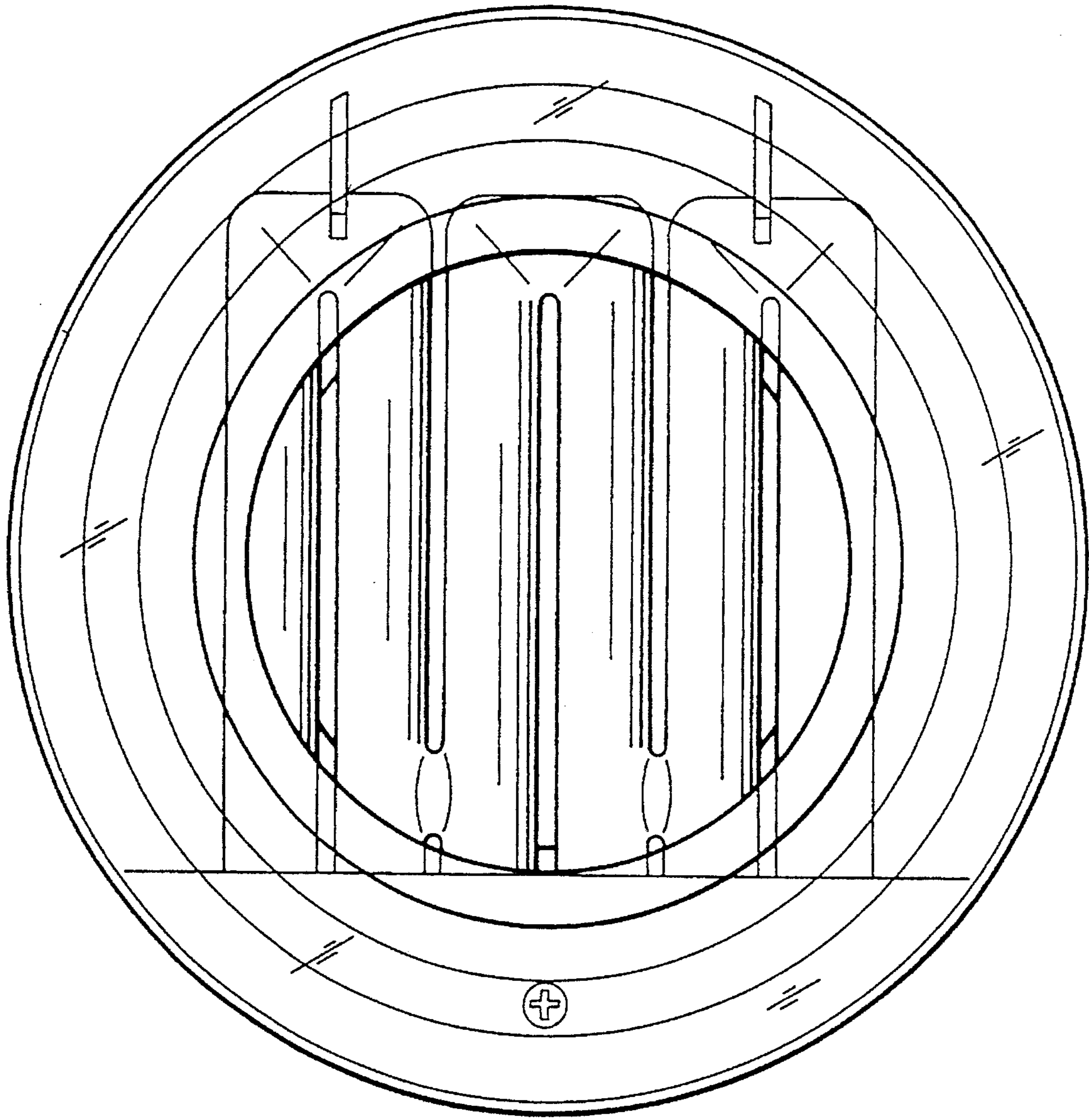
**Fig. 9**



**Fig. 10**



***Fig. 11***



***Fig. 12***