



US00D375175S

United States Patent [19]
DiGiorgio

[11] **Patent Number: Des. 375,175**

[45] **Date of Patent: **Oct. 29, 1996**

[54] **WINDOW LOCKING ELEMENT**

D. 338,972 8/1993 Moss et al. D25/124

[75] Inventor: **Tony DiGiorgio**, Woodbridge, Canada

Primary Examiner—Doris Clark

[73] Assignee: **Dominion Plastics Inc.**, Woodbridge, Canada

[57] **CLAIM**

[**] Term: **14 Years**

The ornamental design for a window locking element, as shown and described.

[21] Appl. No.: **48,254**

DESCRIPTION

[22] Filed: **Dec. 22, 1995**

[52] U.S. Cl. **D25/124**

FIG. 1 is a perspective view from above the window locking element; and,

[58] **Field of Search** D25/52, 60, 119-125;
49/501, 504, 407, 408, DIG. 2, 365; 52/204.5,
204.62, 204.68, 204.69

FIG. 2 is an end view of the window locking element.

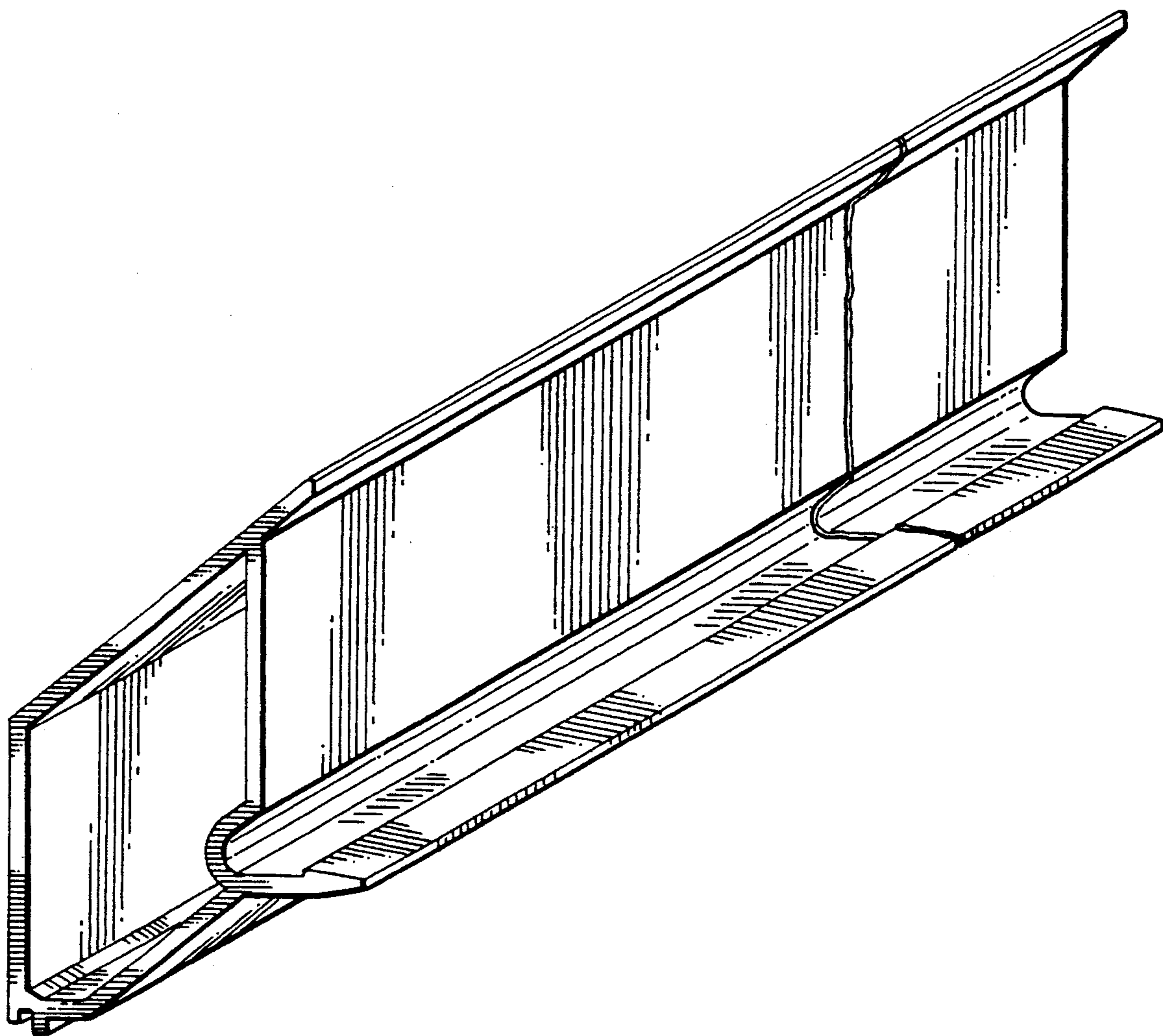
The window locking element is broken away in the center to indicate indeterminate length.

[56] **References Cited**

U.S. PATENT DOCUMENTS

D. 300,397 3/1989 Michaelsen D25/124

1 Claim, 1 Drawing Sheet



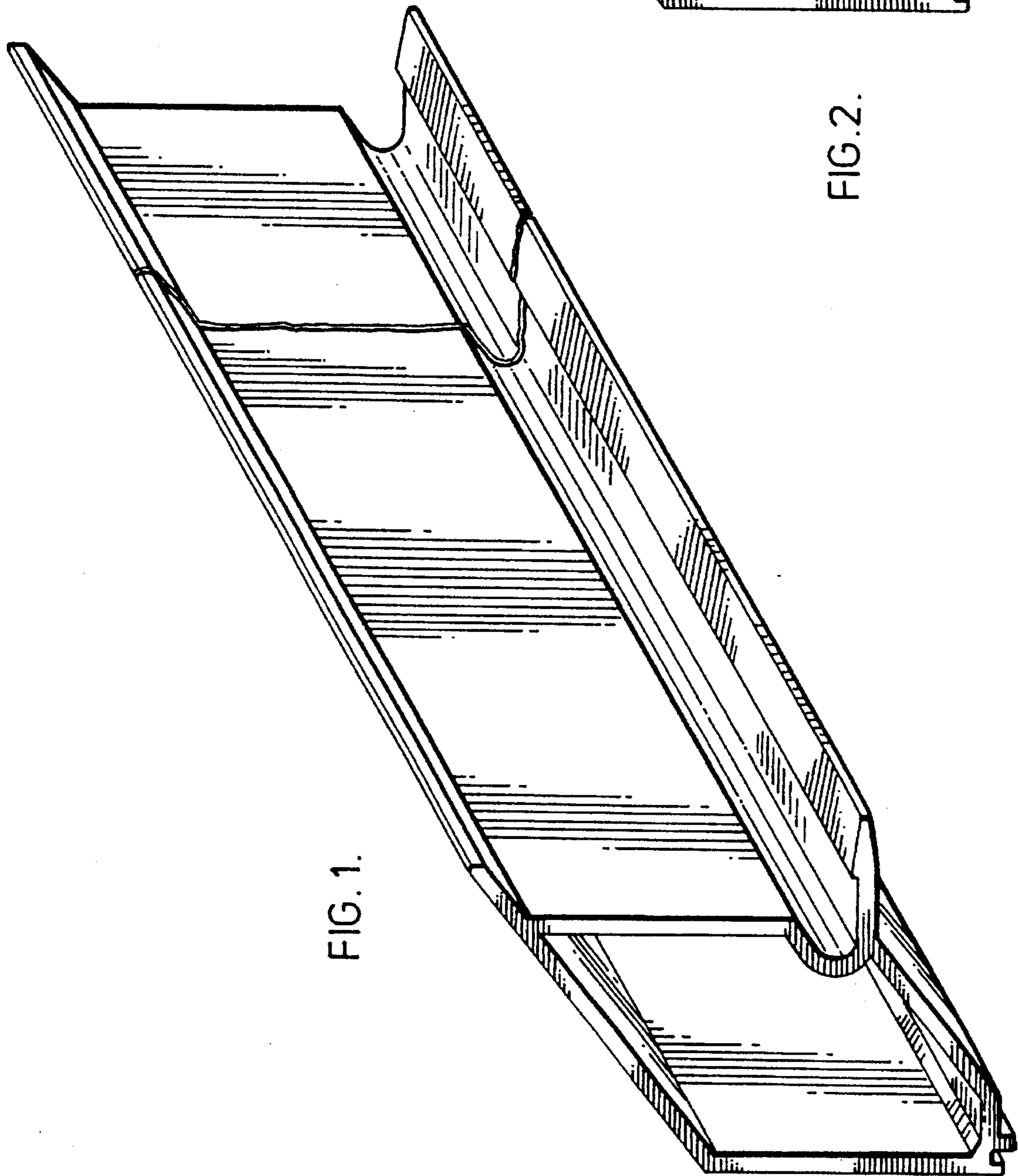


FIG. 1.

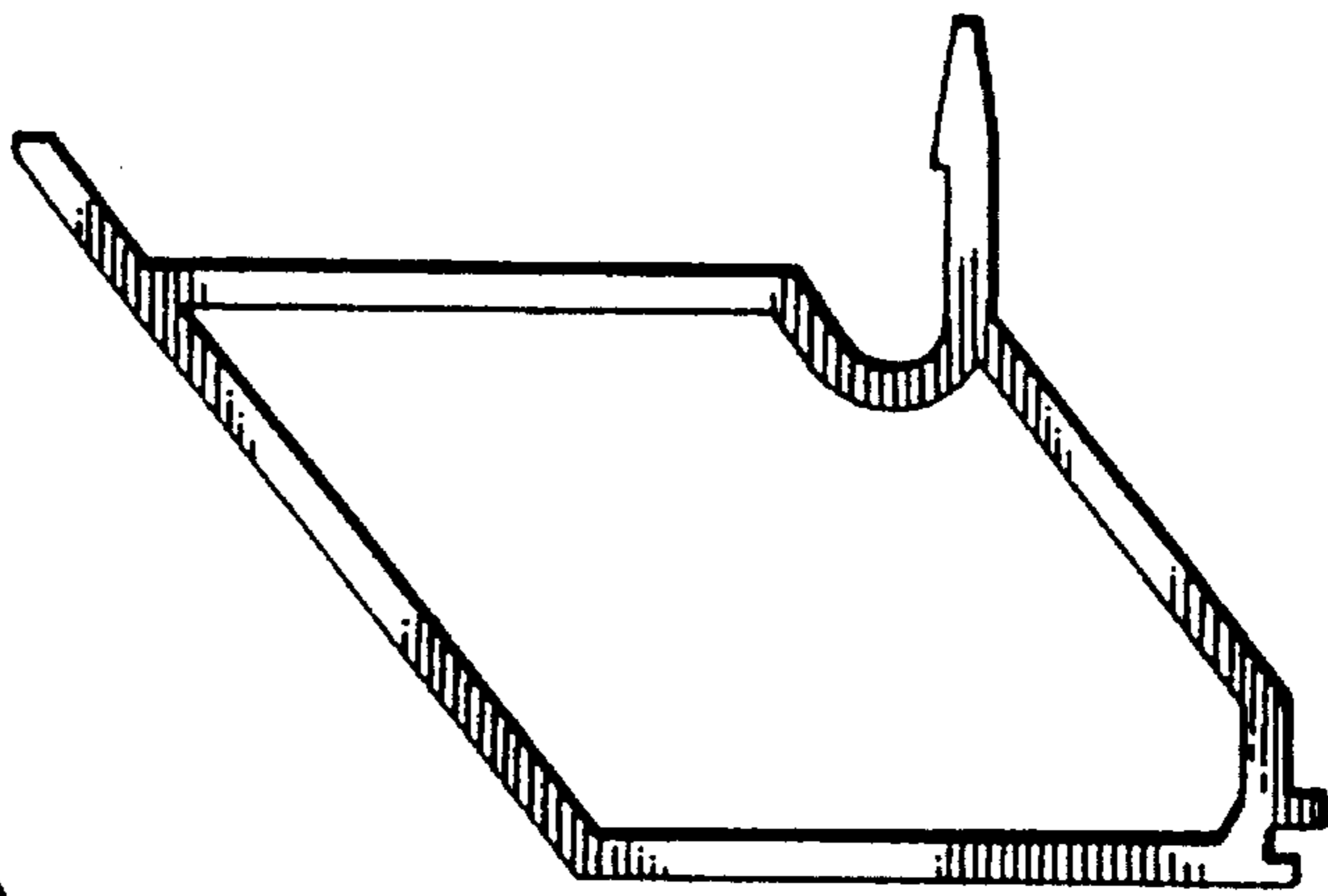


FIG. 2.