



US00D375174S

United States Patent [19]
DiGiorgio

[11] **Patent Number: Des. 375,174**
[45] **Date of Patent: **Oct. 29, 1996**

[54] **WINDOW MULLION**

3,471,985 10/1969 Lindelon 52/730.4
4,858,386 8/1989 Nál 49/505

[75] Inventor: **Tony DiGiorgio**, Woodbridge, Canada

Primary Examiner—Doris Clark

[73] Assignee: **Dominion Plastics Inc.**, Woodbridge, Canada

[57] **CLAIM**

[**] Term: **14 Years**

The ornamental design for a window mullion, as shown and described.

[21] Appl. No.: **45,422**

DESCRIPTION

[22] Filed: **Oct. 19, 1995**

[52] U.S. Cl. **D25/124**

[58] Field of Search D25/52, 48, 122-125;
49/504, 505, DIG. 2; 52/204.5, 230.3, 230.4,
230.5

FIG. 1 is a perspective view from one side of the window mullion;

FIG. 2 is a perspective view from the other side of the window mullion; and,

FIG. 3 is a perspective view from below the window mullion.

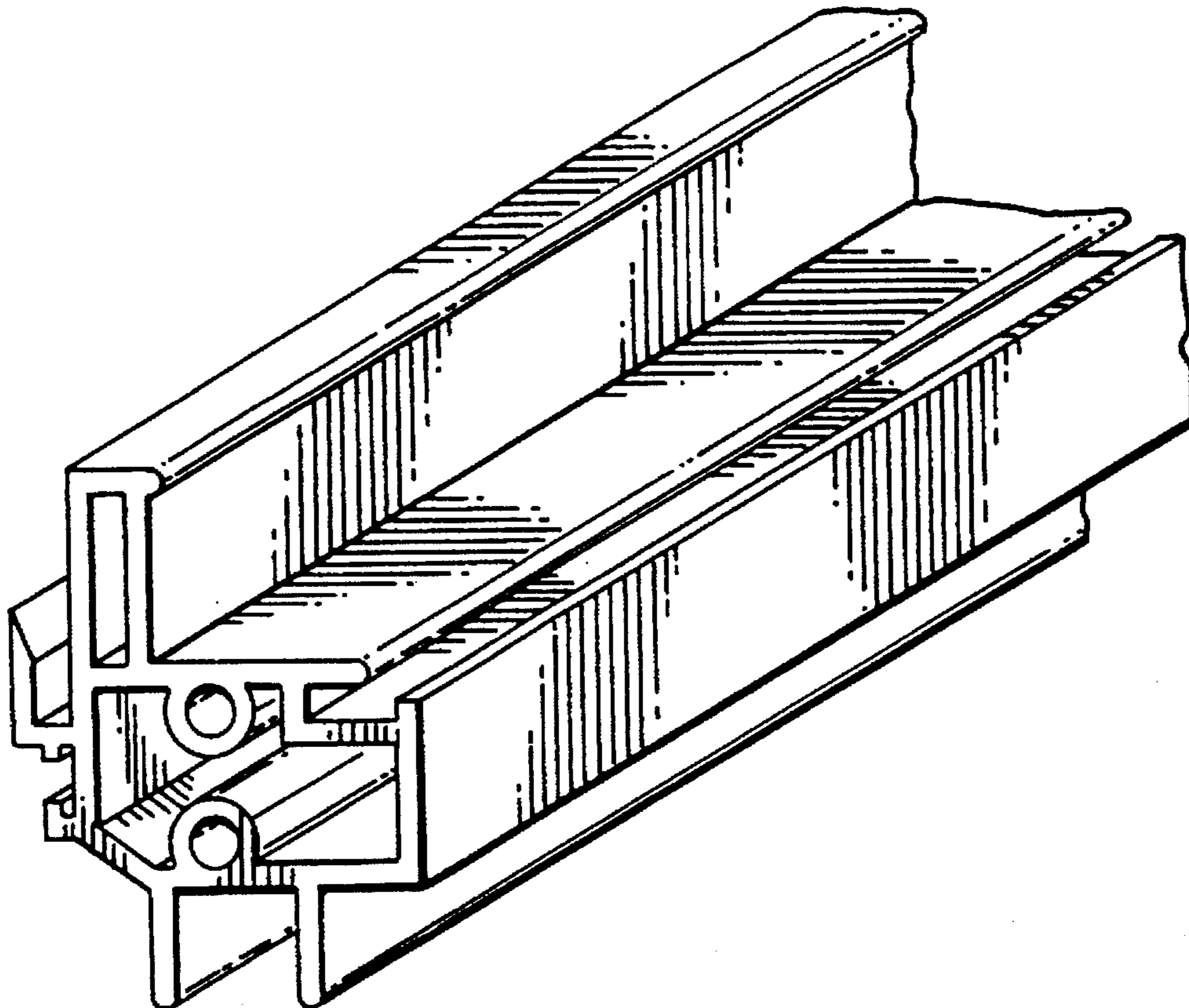
The window mullion is broken away on the end to indicate indeterminate length.

[56] **References Cited**

U.S. PATENT DOCUMENTS

D. 335,931 5/1993 Cole D25/124
3,000,062 9/1961 McCandless 52/204.5

1 Claim, 1 Drawing Sheet



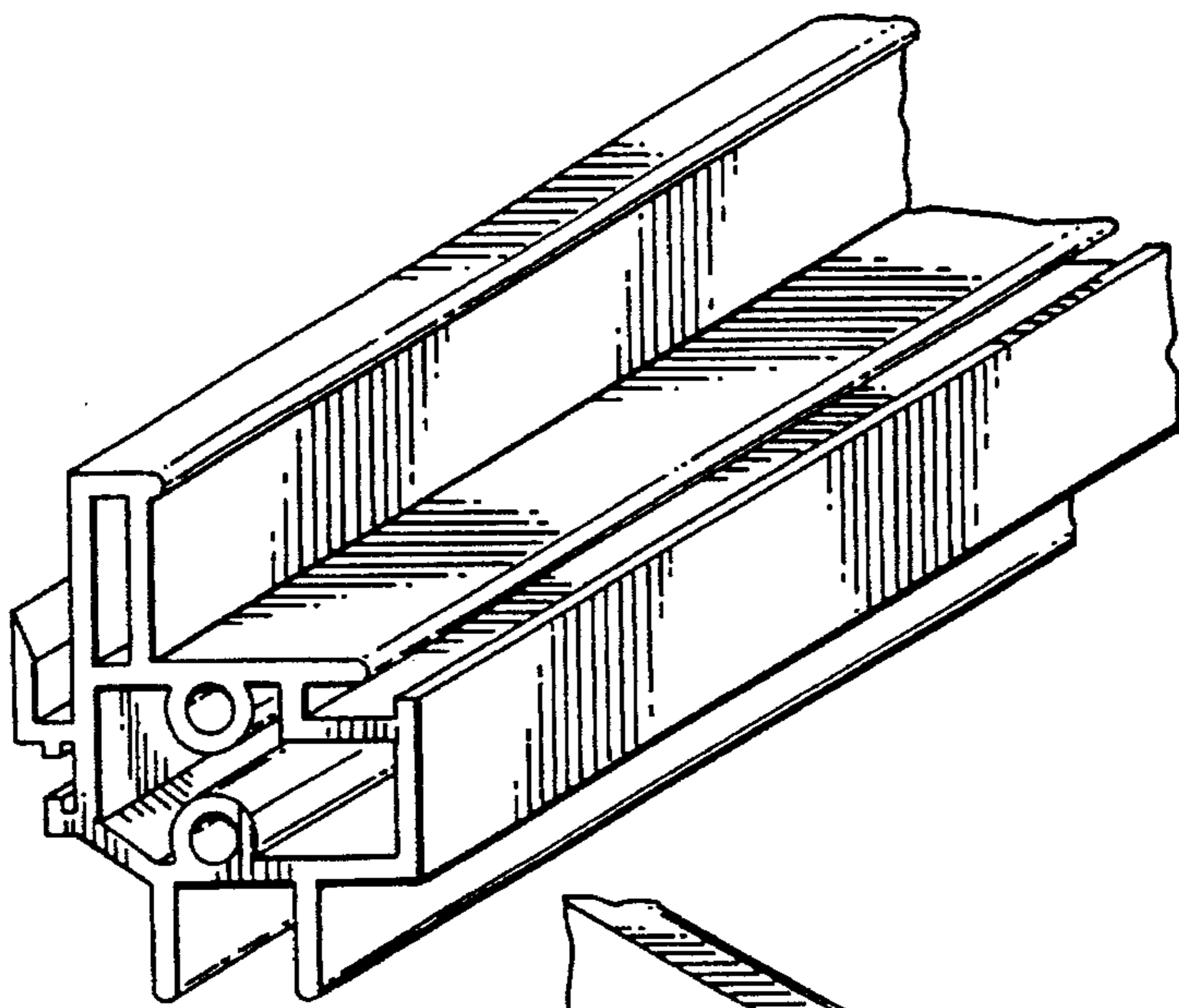


FIG. 1.

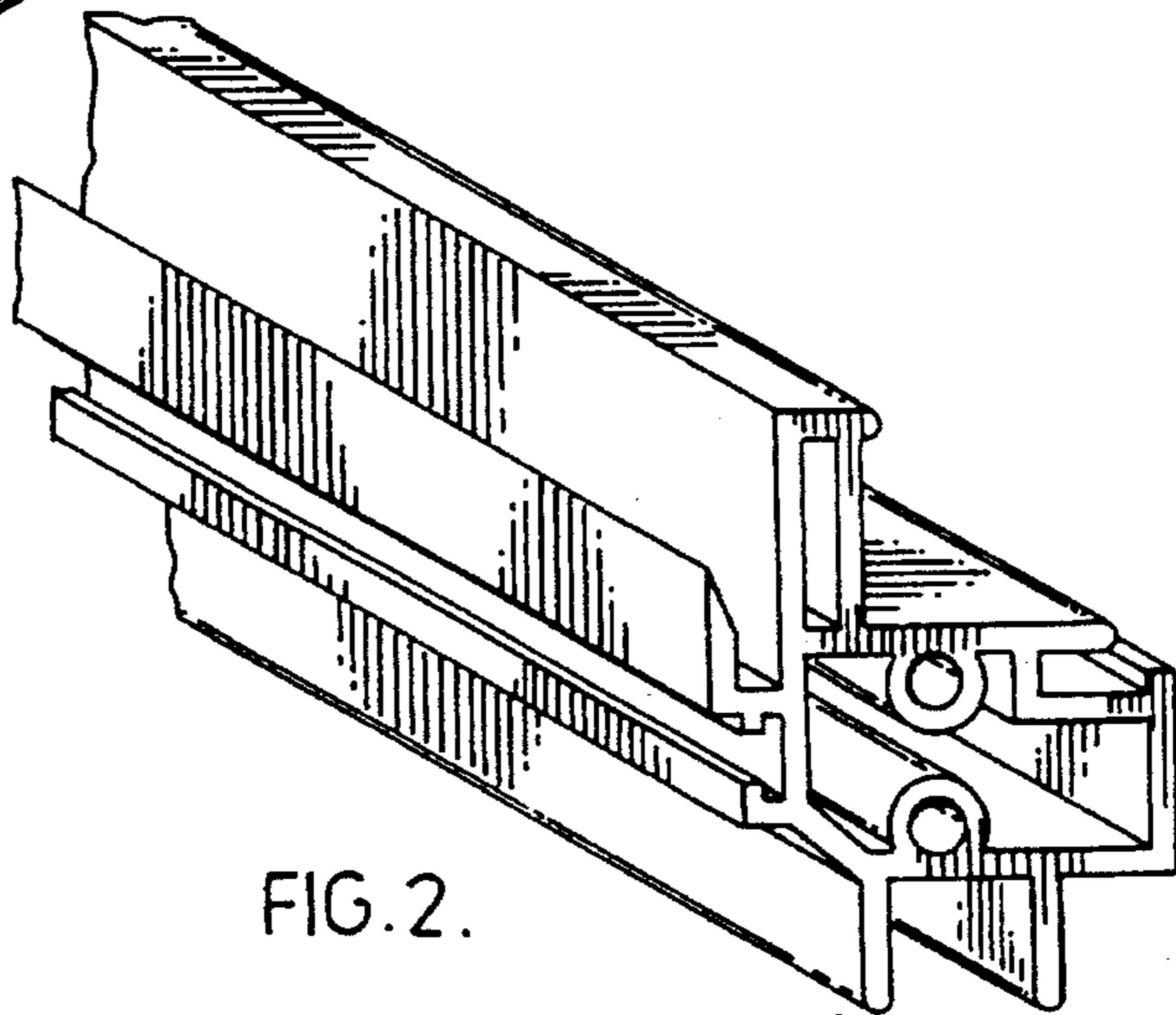


FIG. 2.

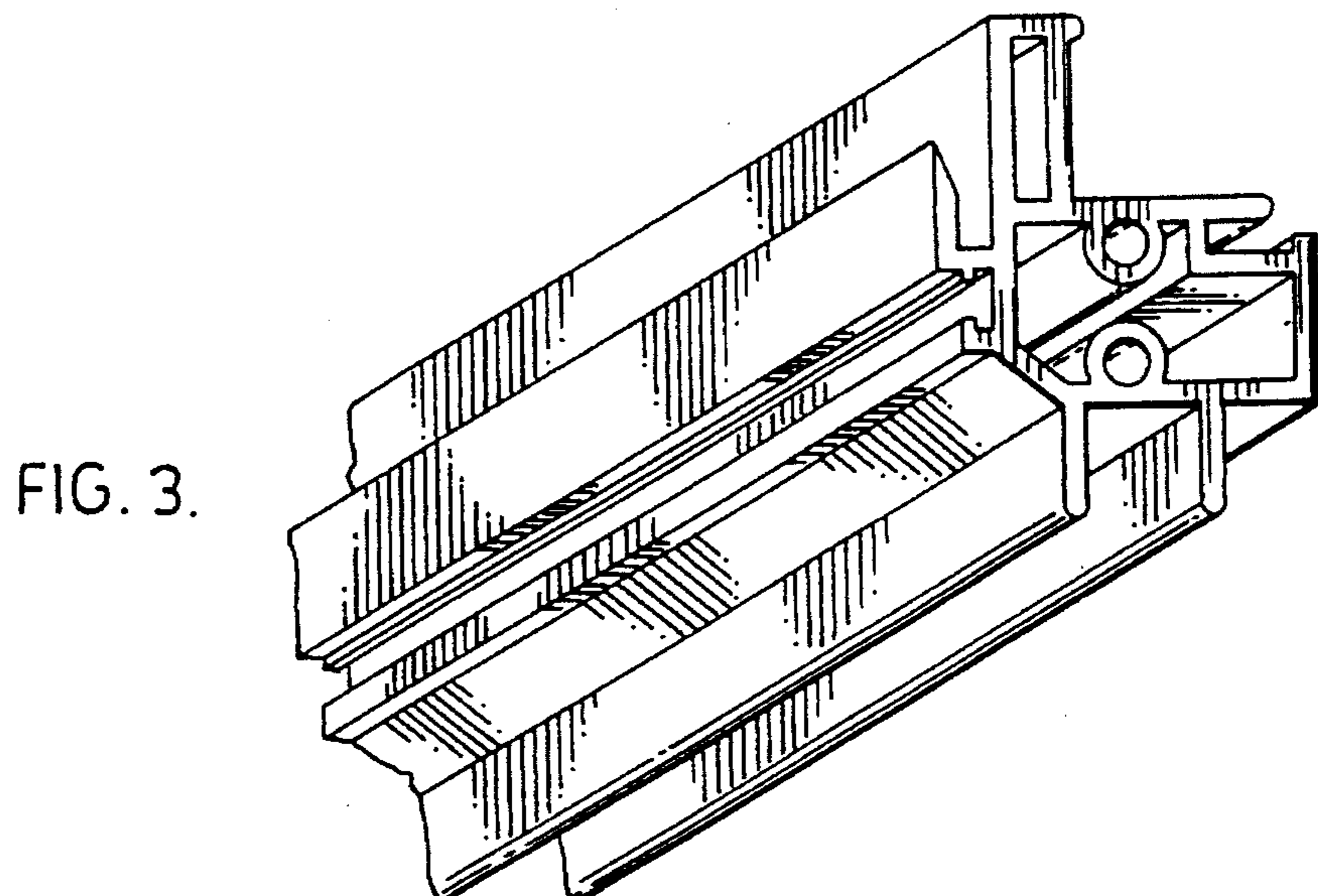


FIG. 3.