



US00D375173S

# United States Patent [19]

De Zen

[11] Patent Number: **Des. 375,173**

[45] Date of Patent: **\*\*Oct. 29, 1996**

[54] **FACIA GABLE EXTRUSION FOR A BUILDING STRUCTURE**

[75] Inventor: **Vittorio De Zen**, Woodbridge, Canada

[73] Assignee: **Royal Building Systems (CDN) Limited**, Weston, Canada

[\*\*] Term: **14 Years**

[21] Appl. No.: **38,156**

[22] Filed: **Apr. 24, 1995**

[52] U.S. Cl. .... **D25/124; D25/119**

[58] Field of Search ..... **D25/60, 52, 124, D25/125, 122, 136; 49/DIG. 2; 52/204.5, 204.56, 204.51, 730.3, 205, 730.1, 730.4, 730.6, 731.2, 92.2, 716.8**

[56] **References Cited**

**U.S. PATENT DOCUMENTS**

D. 98,067 1/1936 Hendrickson ..... D25/60  
D. 259,364 5/1981 Poth ..... D25/124

D. 259,811 7/1981 Guy ..... D25/124  
D. 325,178 4/1992 Corneal ..... D25/122  
2,510,845 6/1950 Waters et al. .... 52/204.5  
5,022,205 6/1991 Ford ..... 52/730.3

*Primary Examiner*—Stella Reid  
*Assistant Examiner*—Gregory Andoll

[57] **CLAIM**

The ornamental design for a facia gable extrusion for a building structure, as shown and described.

**DESCRIPTION**

FIG. 1 is a perspective view of a facia gable extrusion for a building structure showing my new design;  
FIG. 2 is a end view thereof, the other end being a mirror image;  
FIG. 3 is a rear view thereof;  
FIG. 4 is a front view thereof;  
FIG. 5 is a bottom view thereof; and,  
FIG. 6 is a top view thereof.

**1 Claim, 2 Drawing Sheets**

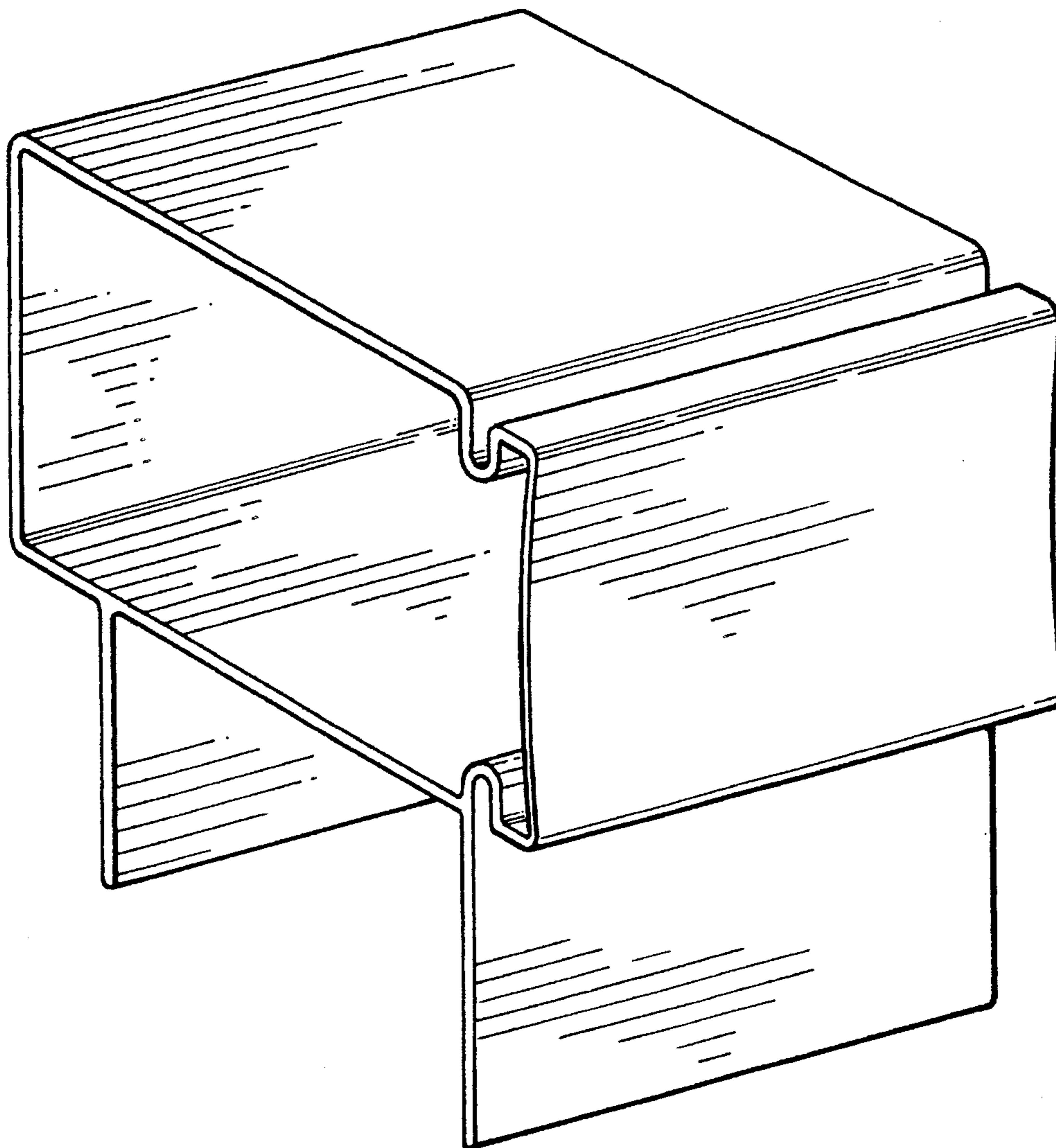


FIG. 1.

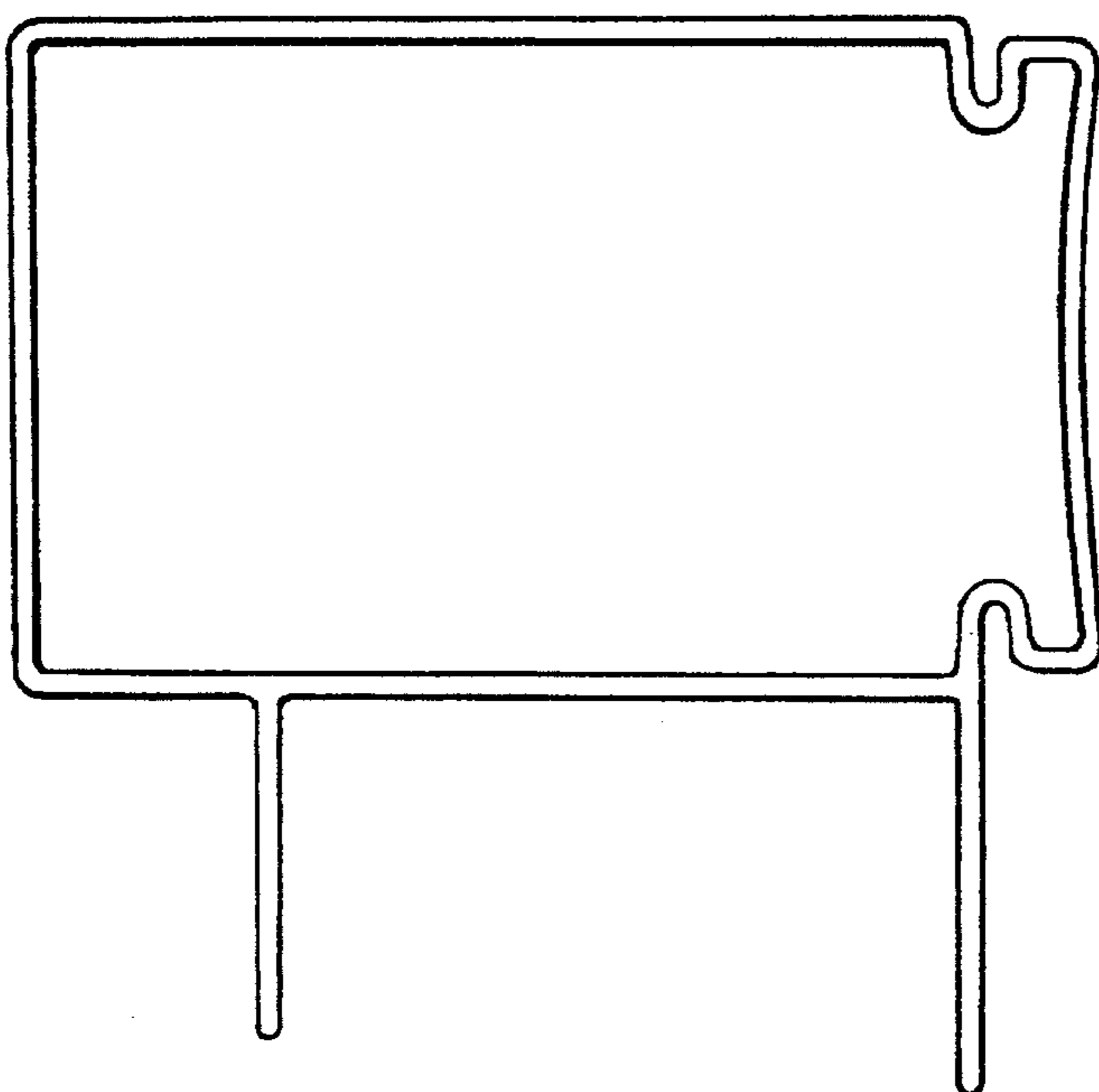
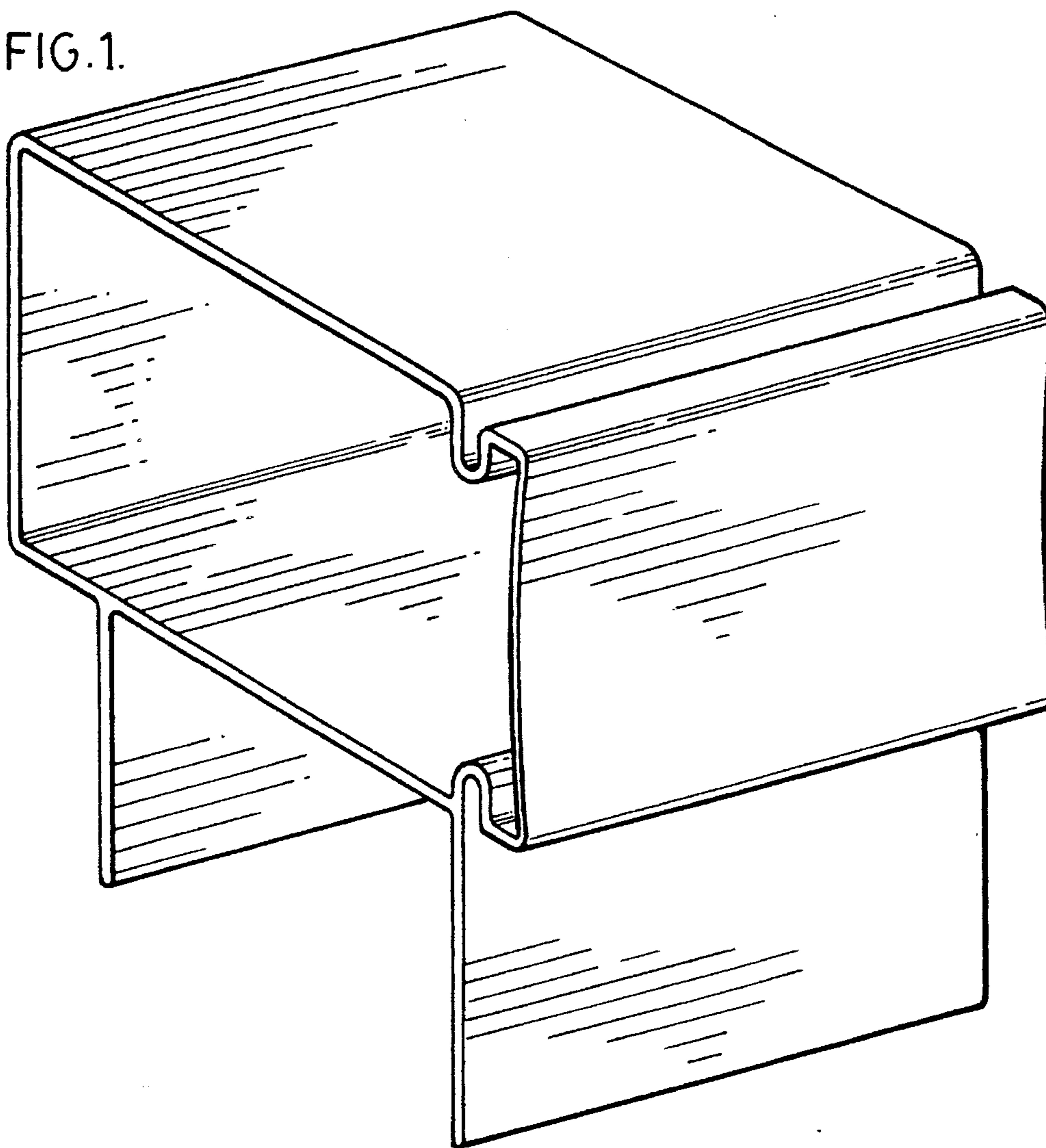


FIG. 2.

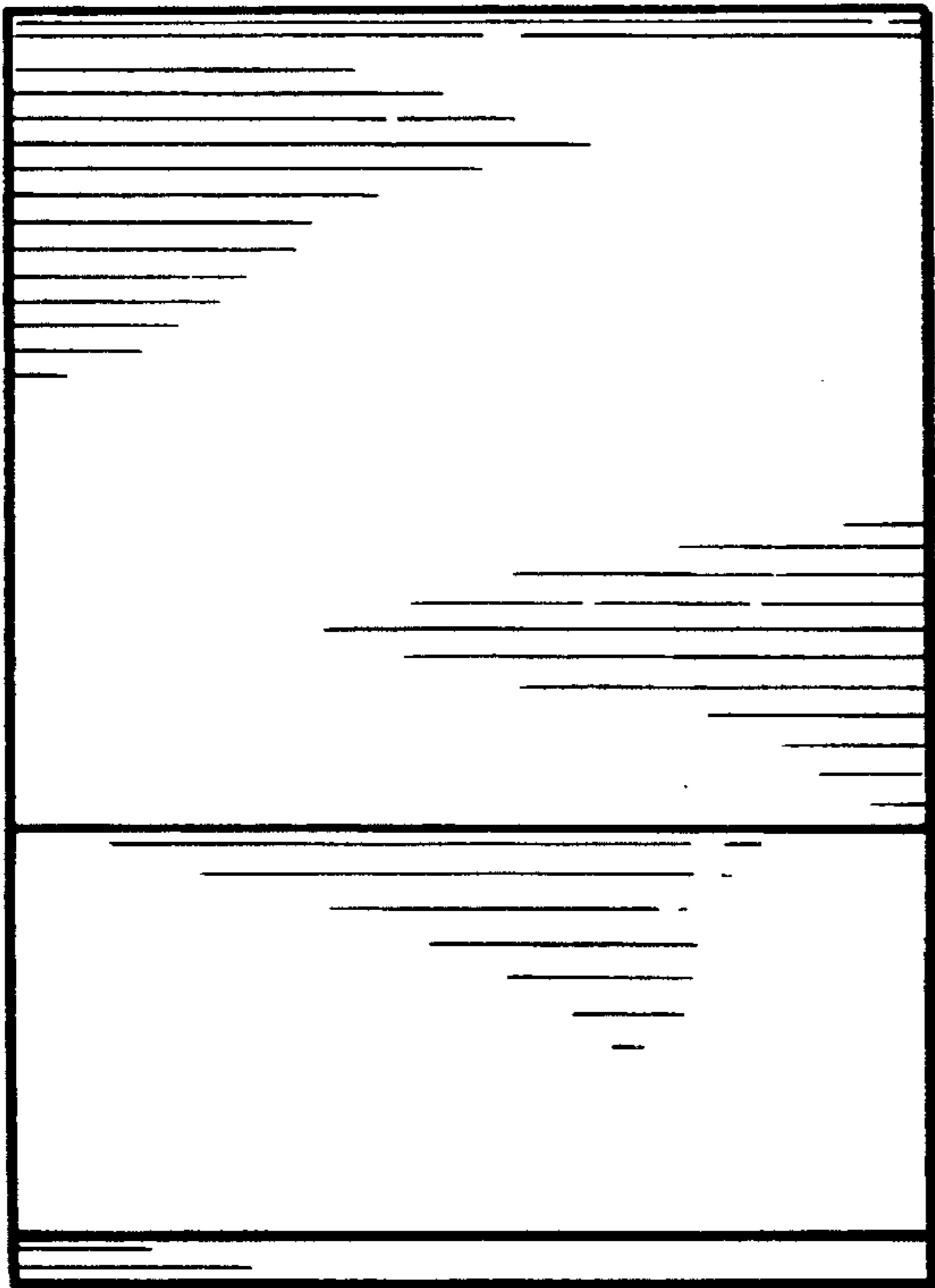


FIG. 3.

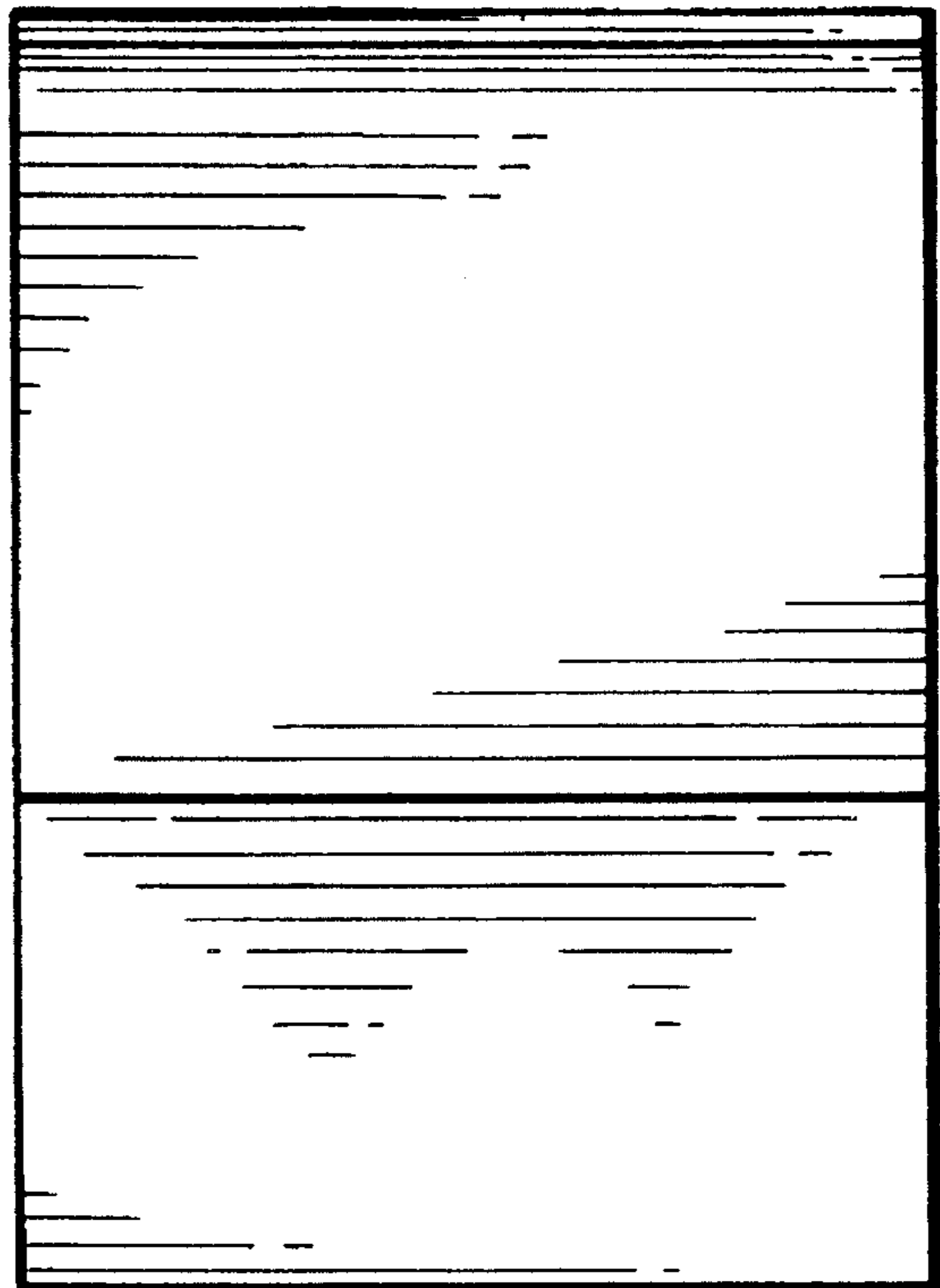


FIG. 4.

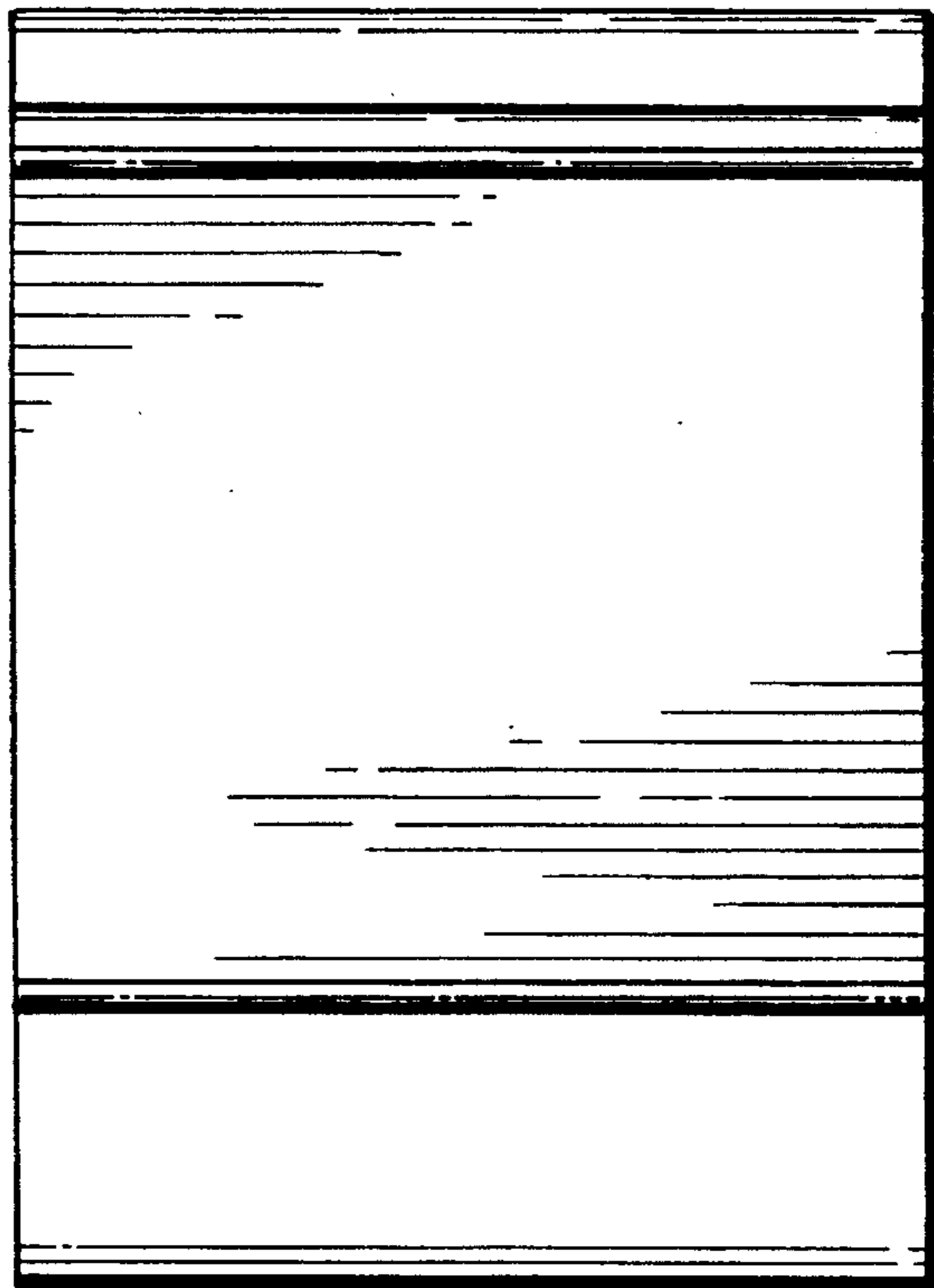


FIG. 5.

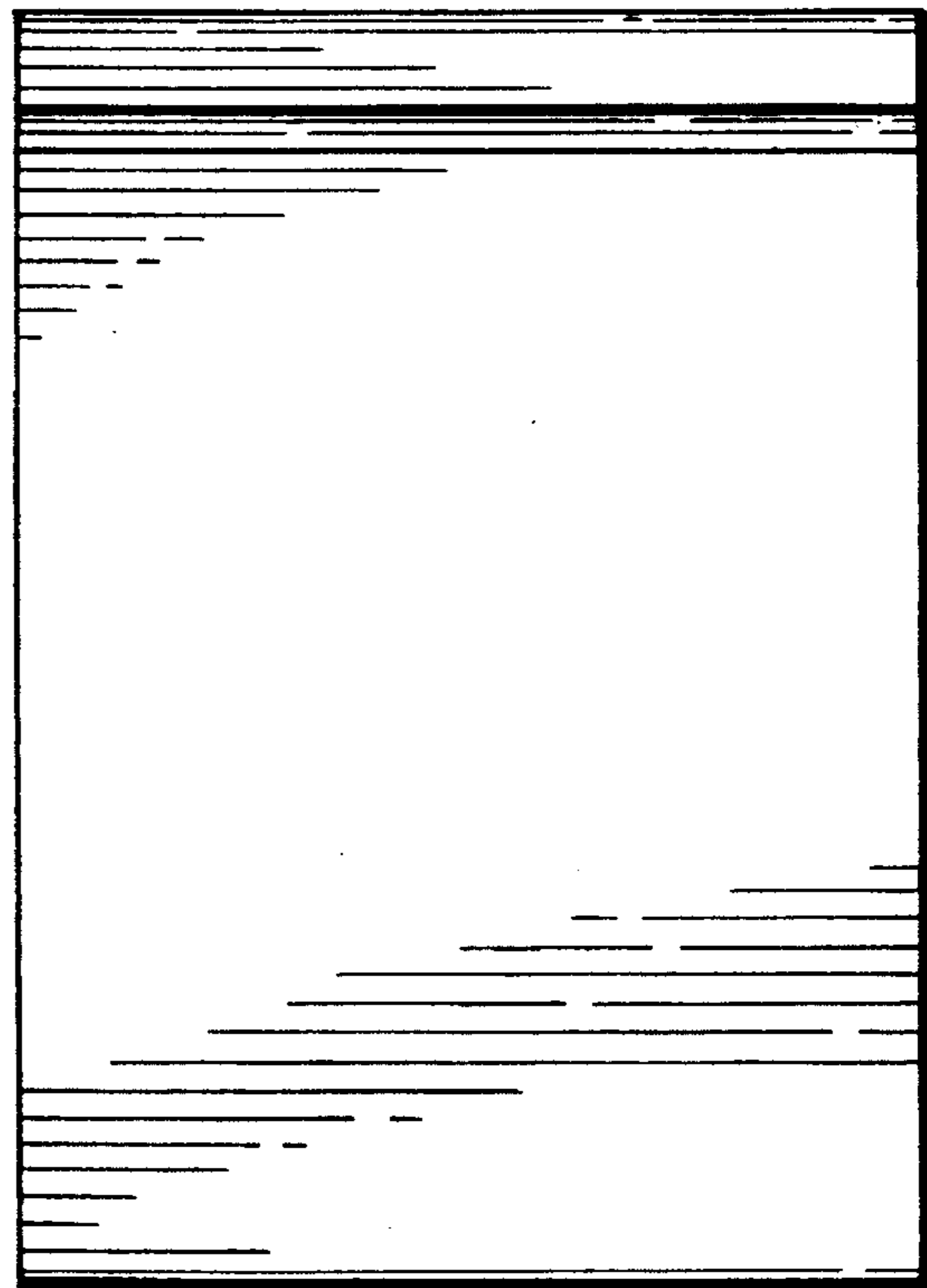


FIG. 6.