



US00D375172S

United States Patent [19]

DiGiorgio

[11] Patent Number: **Des. 375,172**

[45] Date of Patent: ****Oct. 29, 1996**

[54] **SLIDER WINDOW TRANSOM ELEMENT**

D. 351,240 10/1994 Cole D25/122
5,327,775 8/1983 Hardy 49/181

[75] Inventor: **Tony DiGiorgio**, Woodbridge, Canada

[73] Assignee: **Dominion Plastics Inc.**, Woodbridge, Canada

Primary Examiner—Doris Clark

[**] Term: **14 Years**

[57] **CLAIM**

[21] Appl. No.: **48,255**

The ornamental design for a slider window transom element, as shown and described.

[22] Filed: **Dec. 22, 1995**

DESCRIPTION

[52] U.S. Cl. **D25/122; D25/124**

FIG. 1 is a perspective view from above the slider window transom element; and,

[58] Field of Search D25/119-125,
D25/60, 52; 49/501, 504, DIG. 2, 407,
408, 130, 166, 181; 52/204.5

FIG. 2 is an end view of the slider window transom element.

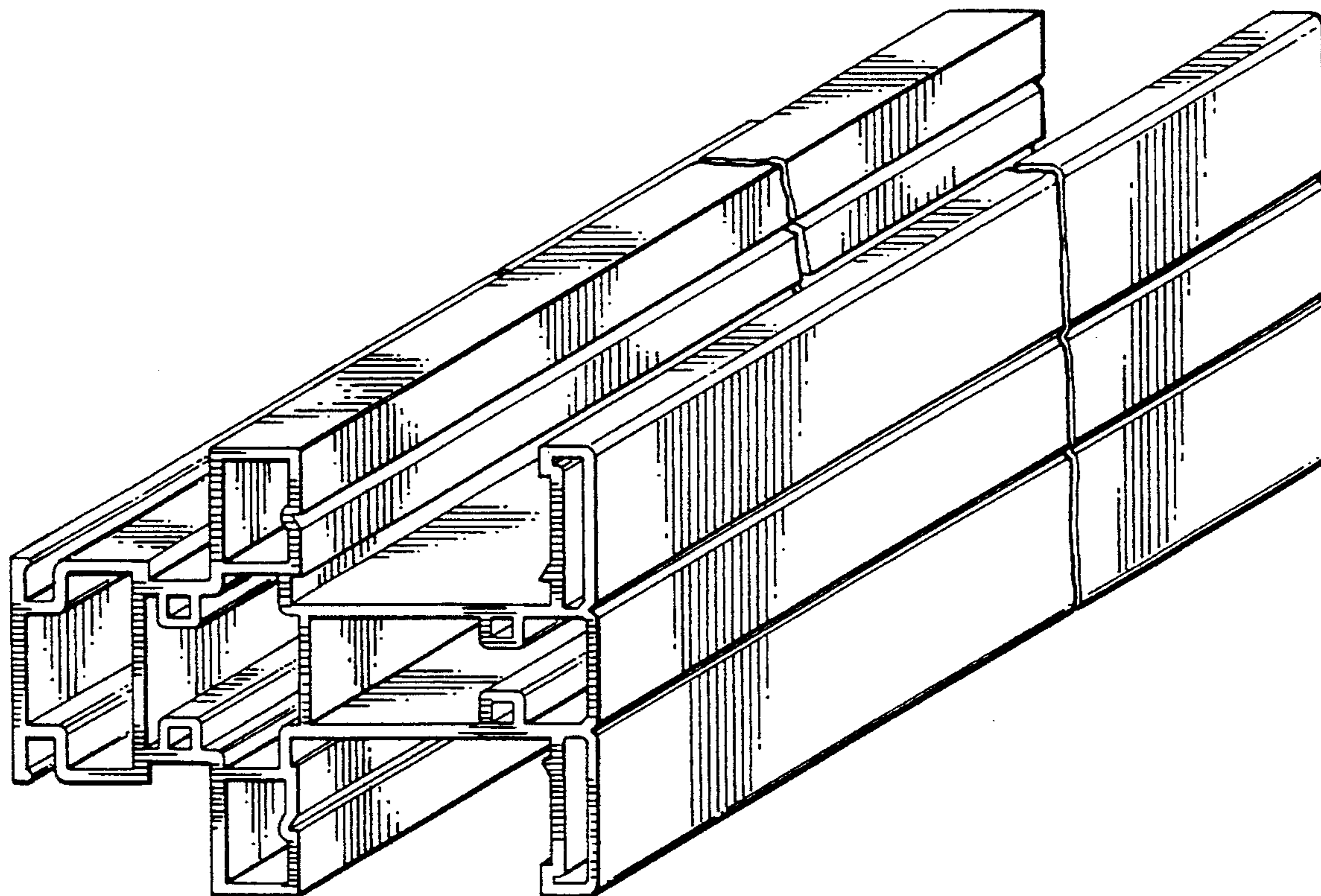
The slider window transom element is broken away in the center to indicate indeterminate length.

[56] **References Cited**

U.S. PATENT DOCUMENTS

D. 325,984 5/1992 Valentin D25/122

1 Claim, 1 Drawing Sheet



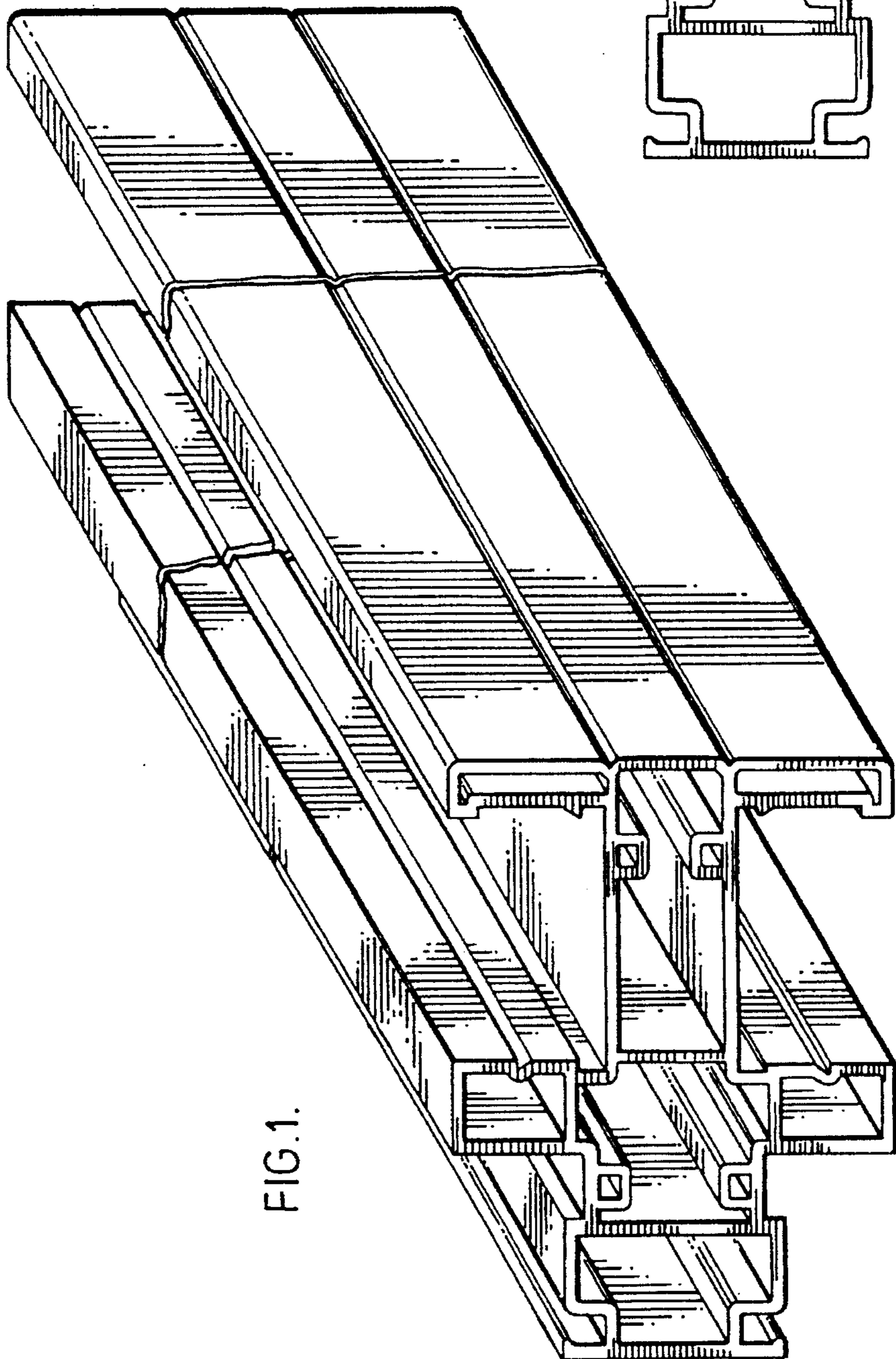


FIG. 1.

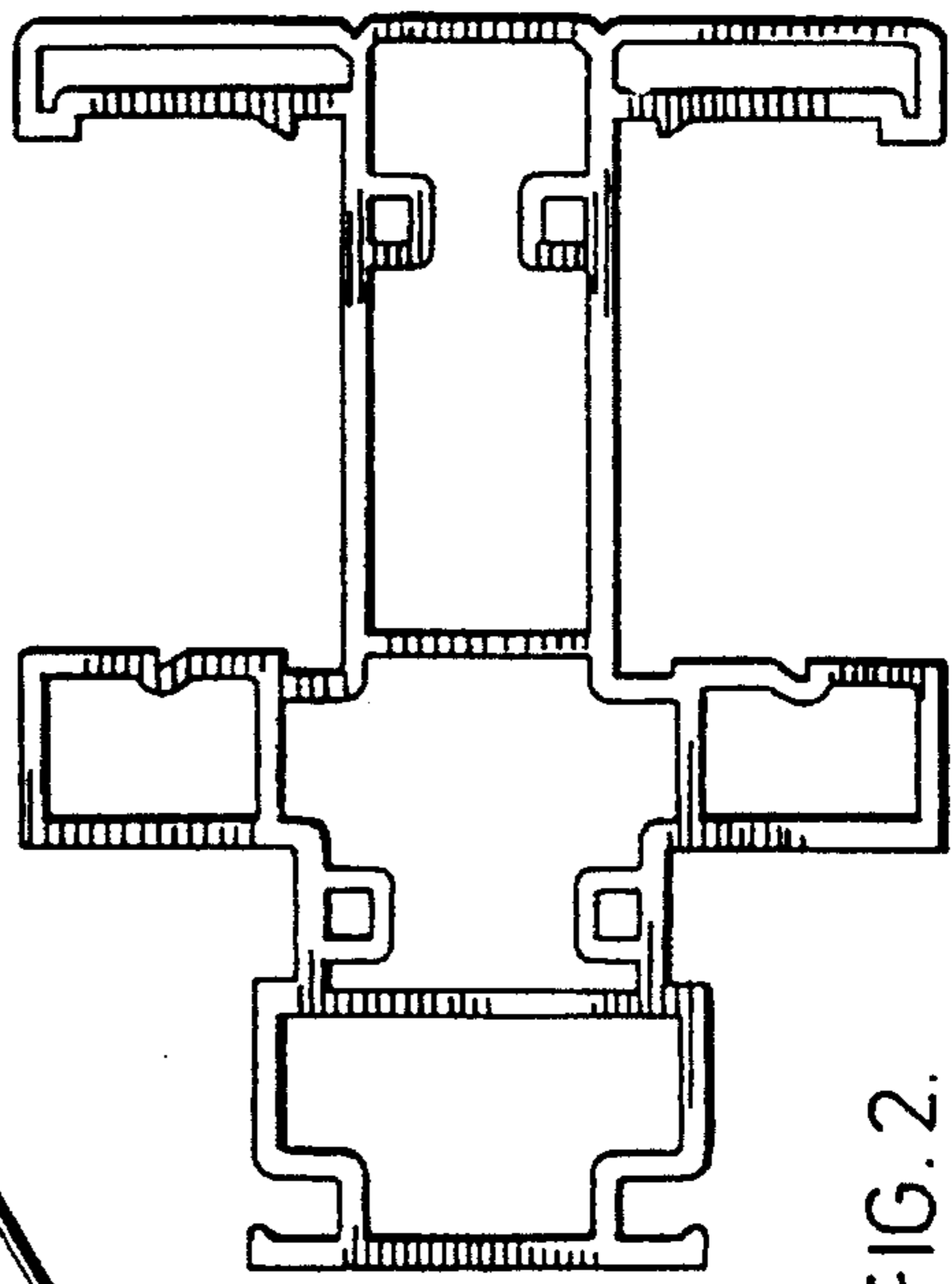


FIG. 2.