



US00D375171S

# United States Patent [19]

Moffitt et al.

[11] Patent Number: **Des. 375,171**

[45] Date of Patent: **\*\*Oct. 29, 1996**

[54] **SUPPORT STAND FOR HOLDING HEAVY OBJECTS**

3,848,700 11/1974 Davis, Jr. .... 182/181  
5,170,861 12/1992 Turner ..... 182/153

[76] Inventors: **Clifford A. Moffitt; Marilyn R. Amerine**, both of 435 N. Pine St., Susanville, Calif. 96130

*Primary Examiner*—Doris Clark

[\*\*] Term: **14 Years**

[57] **CLAIM**

The ornamental design for a support stand for holding heavy objects, as shown and described.

[21] Appl. No.: **49,451**

### DESCRIPTION

[22] Filed: **Jan. 25, 1996**

[52] U.S. Cl. .... **D25/67**

[58] Field of Search ..... D25/62, 67; 182/181, 182/153, 149, 224

FIG. 1 is a front and left end perspective view of a support stand for holding heavy objects showing our new design; FIG. 2 is a front elevational view thereof, the rear being identical thereto;

FIG. 3 is a top plan view thereof;

FIG. 4 is a bottom plan view thereof; and,

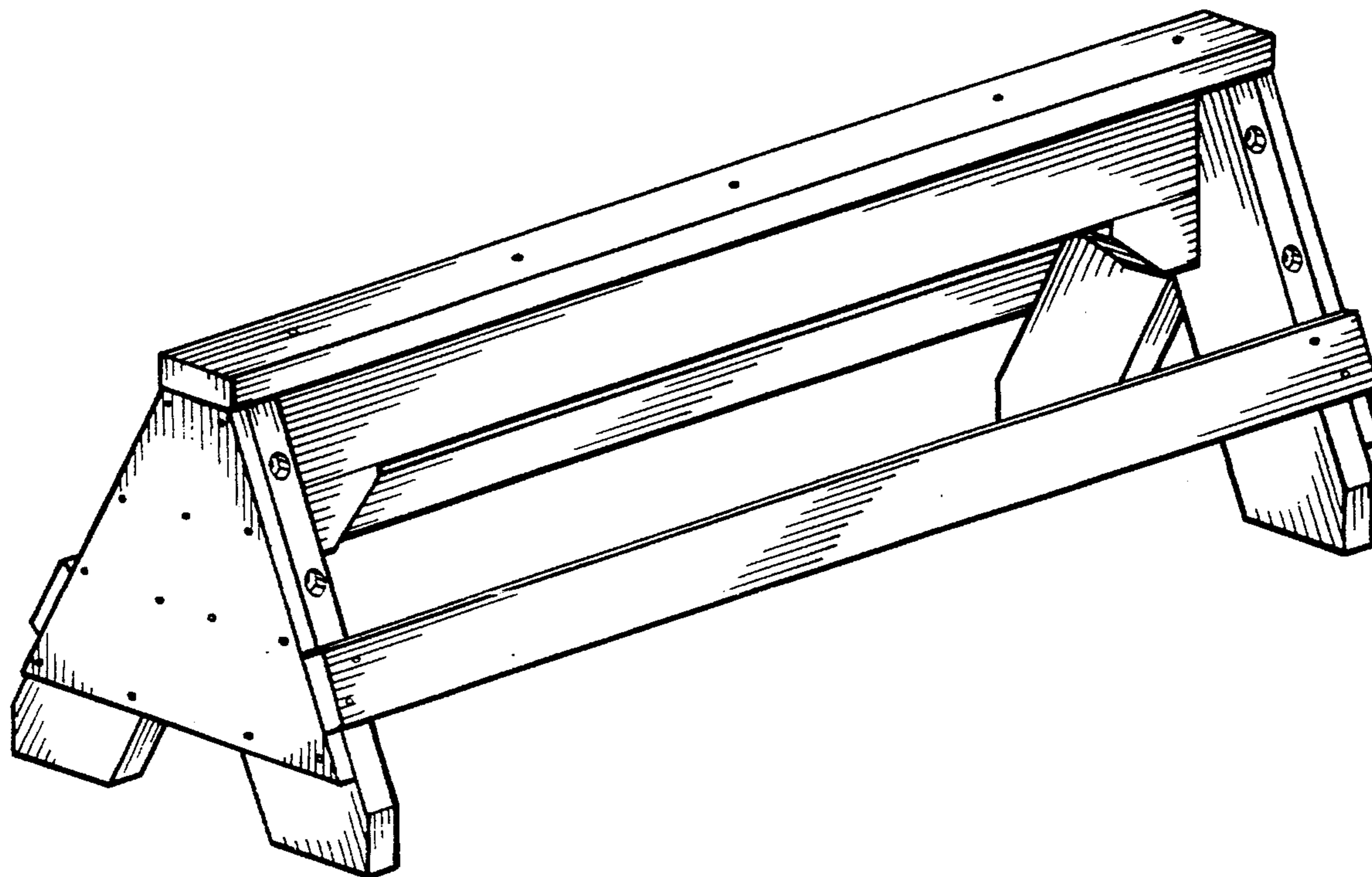
FIG. 5 is a right end elevational view thereof;

[56] **References Cited**

#### U.S. PATENT DOCUMENTS

2,637,358 5/1953 Larson ..... D25/67

**1 Claim, 5 Drawing Sheets**



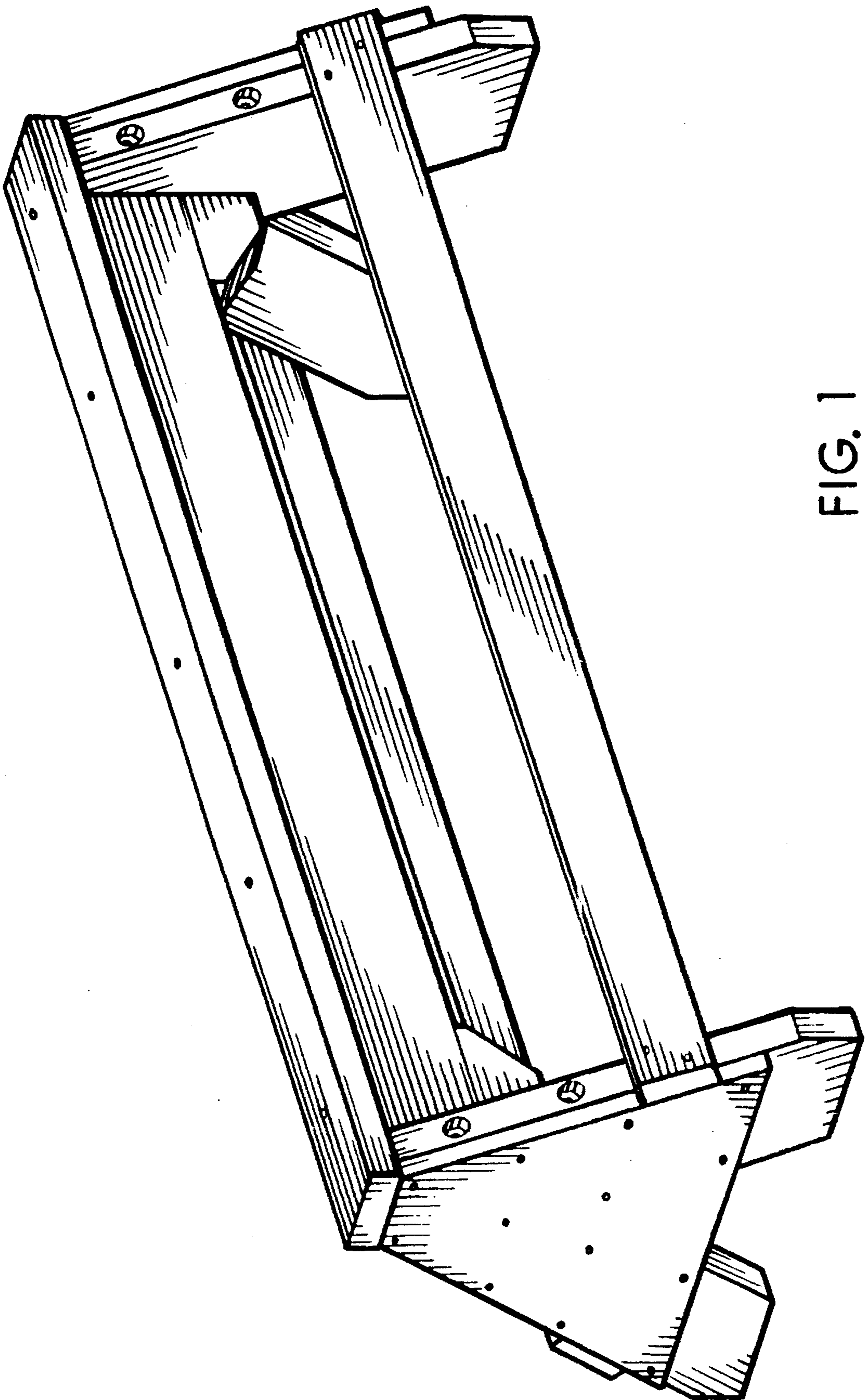


FIG. 1

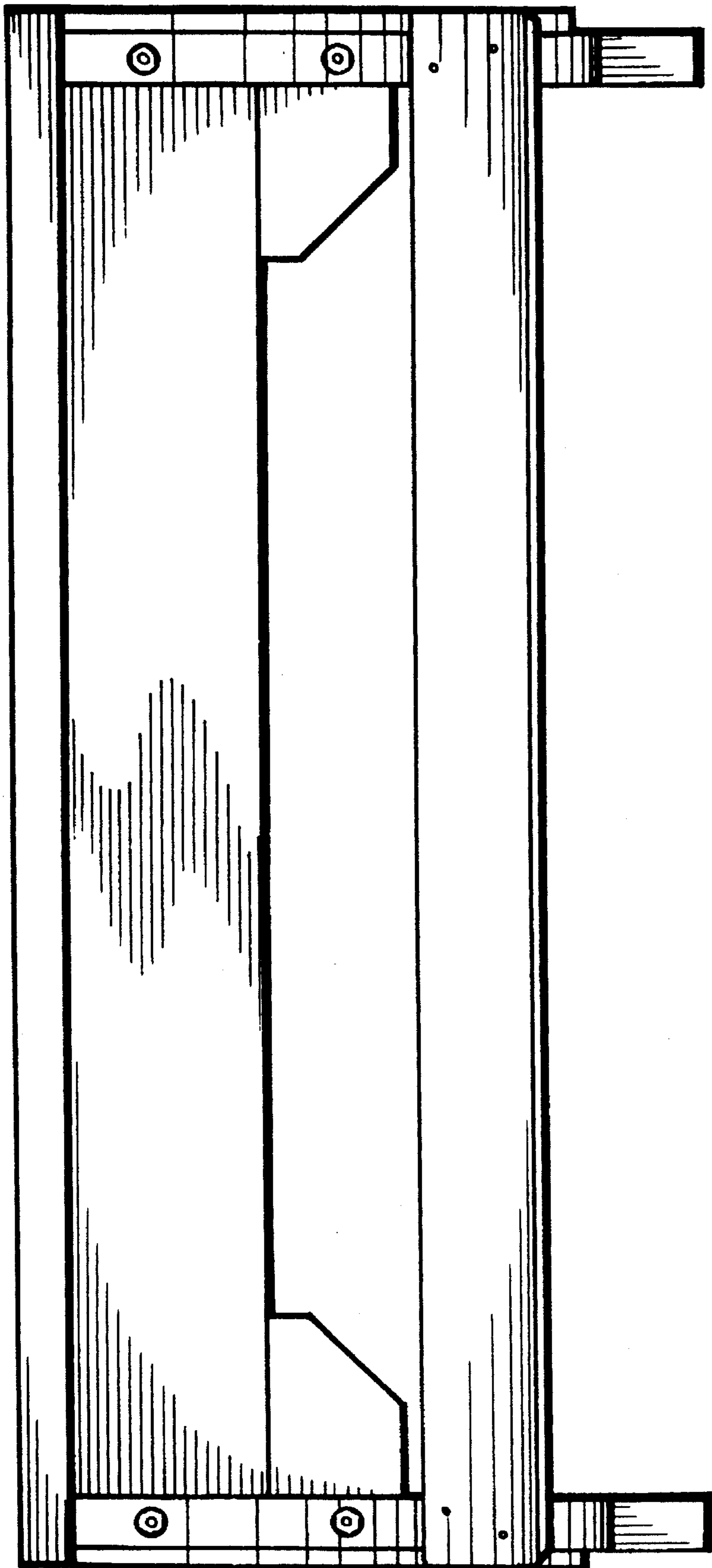


FIG. 2

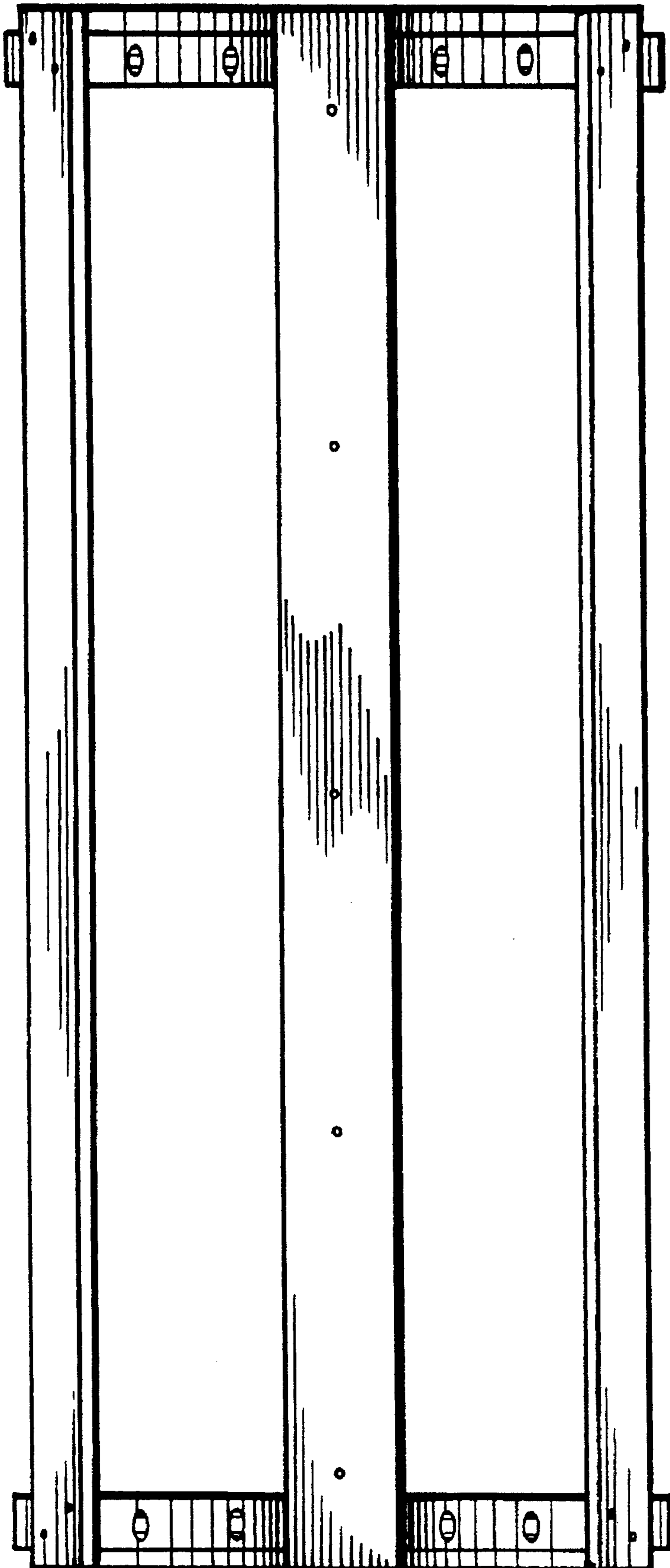


FIG. 3

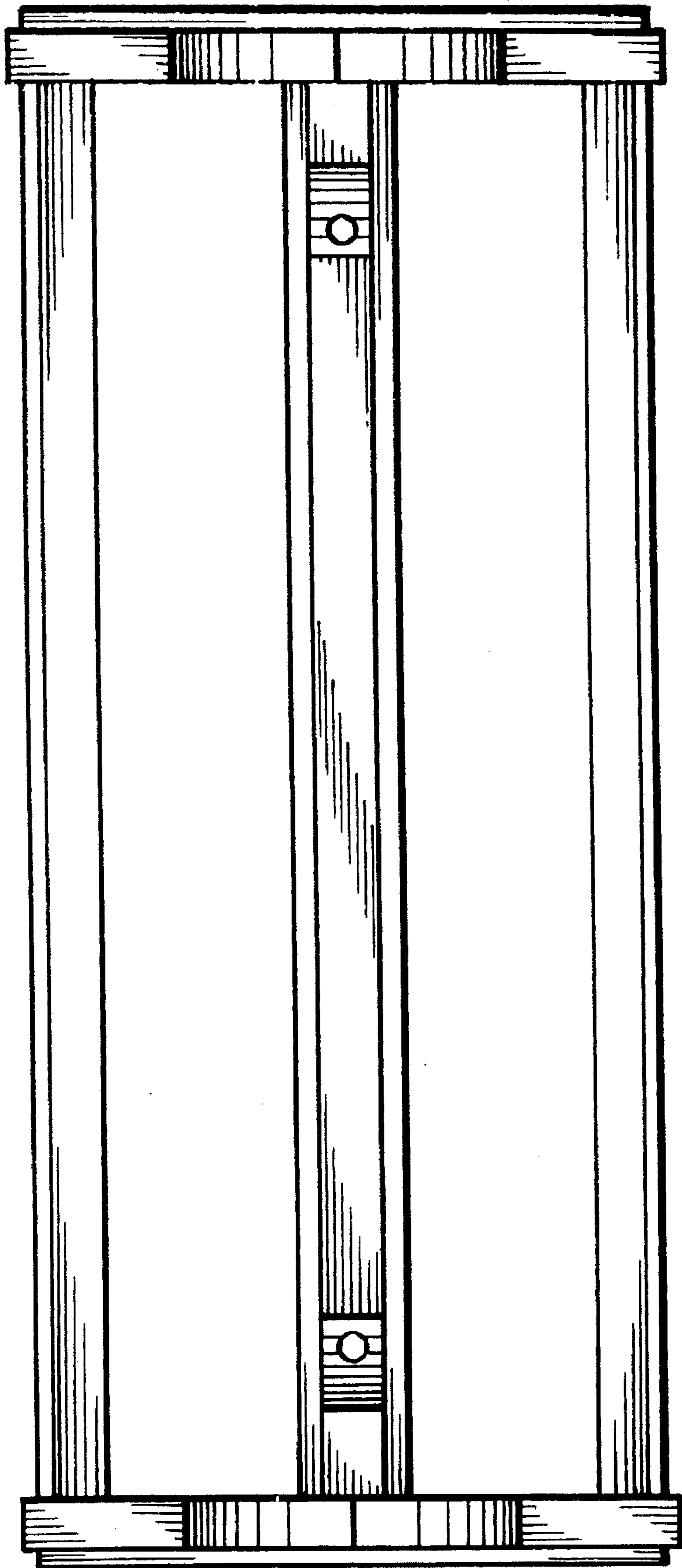


FIG. 4

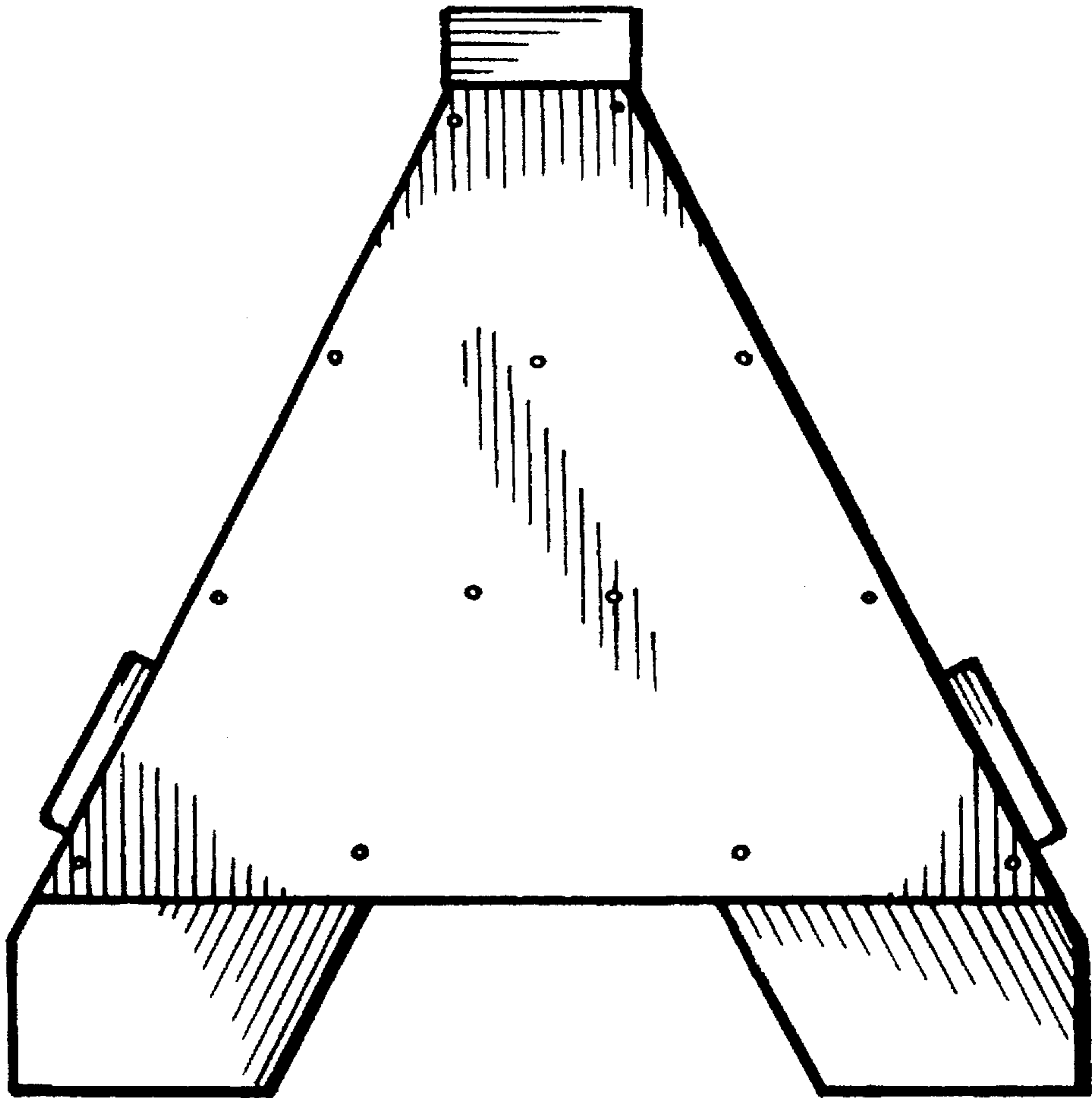


FIG. 5