



US00D375165S

# United States Patent [19]

[11] Patent Number: **Des. 375,165**

**Bartlett et al.**

[45] Date of Patent: **\*\*Oct. 29, 1996**

[54] **ELLIPSIODAL VERTICAL JET MOUND**

*Attorney, Agent, or Firm*—Robert N. Schlesinger

[76] Inventors: **Galvin Bartlett; Michael P. Leonhardt; W. James Clark; Stephen Macey**, all of c/o Sundance Spas 13951 Monte Vista Ave., Chino, Calif. 91710

[57] **CLAIM**

The ornamental design for an ellipsoidal vertical jet mound, as shown.

[\*\*] Term: **14 Years**

### DESCRIPTION

[21] Appl. No.: **943,192**

FIG. 1 is a top plan view of an ellipsoidal vertical jet mound, showing our new design;

[22] Filed: **Sep. 9, 1992**

FIG. 2 is a side view thereof;

[52] U.S. Cl. .... **D24/204**

FIG. 3 is a side view thereof, rotated 60 degrees from the view in FIG. 2;

[58] Field of Search ..... D24/204, 200;  
4/541.1-541.6, 496

FIG. 4 is a top plan view thereof, the broken line showing of the spa is for illustrative purposes only and forms no part of the claimed design;

[56] **References Cited**

FIG. 5 is a perspective view thereof; and,

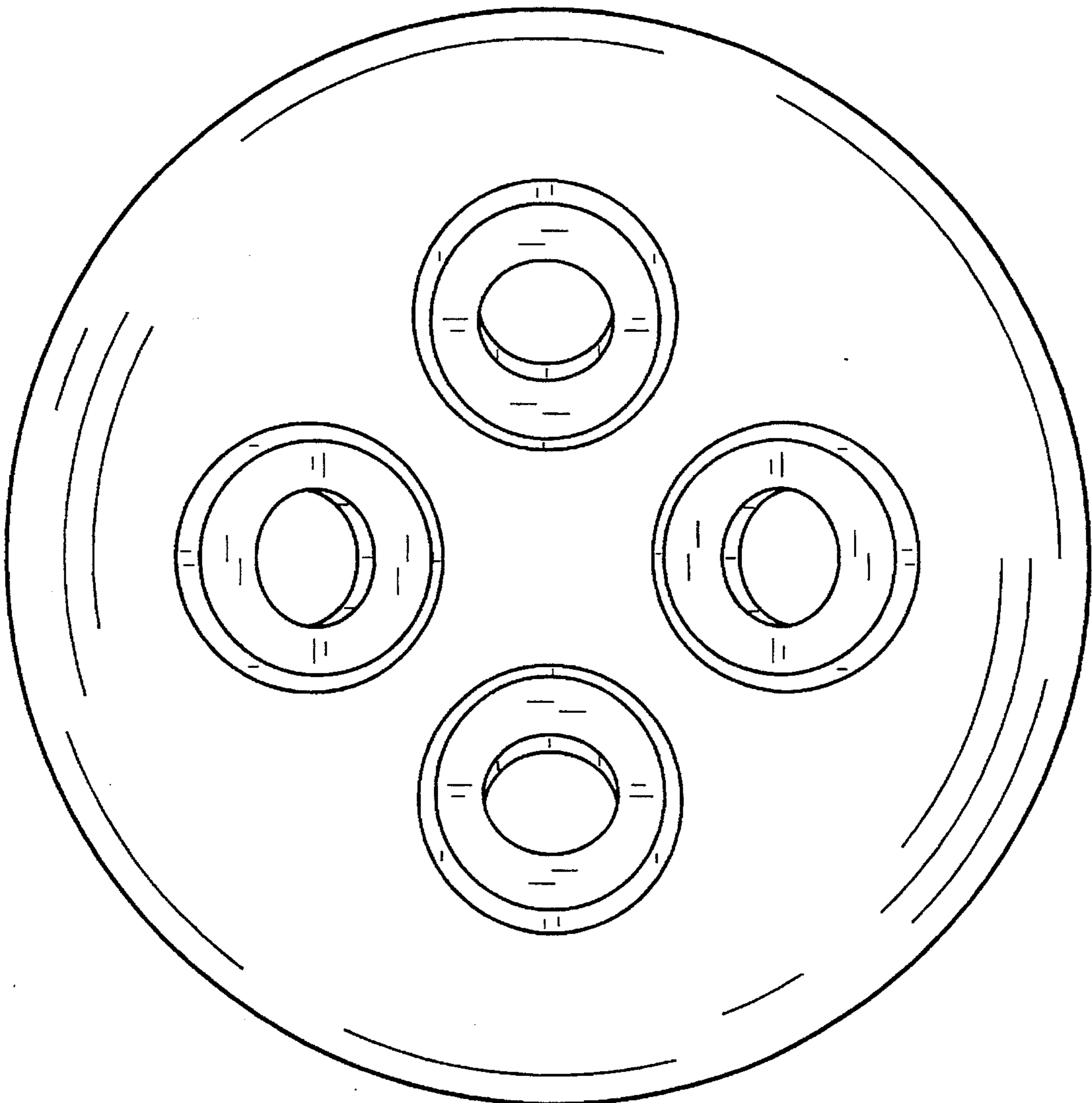
#### U.S. PATENT DOCUMENTS

FIG. 6 is a bottom plan view thereof with the jets removed from the mound.

D. 320,086 9/1991 Moeller ..... D24/204  
4,502,168 3/1985 Jaworski ..... 324/201 X

*Primary Examiner*—Stella Reid

**1 Claim, 6 Drawing Sheets**



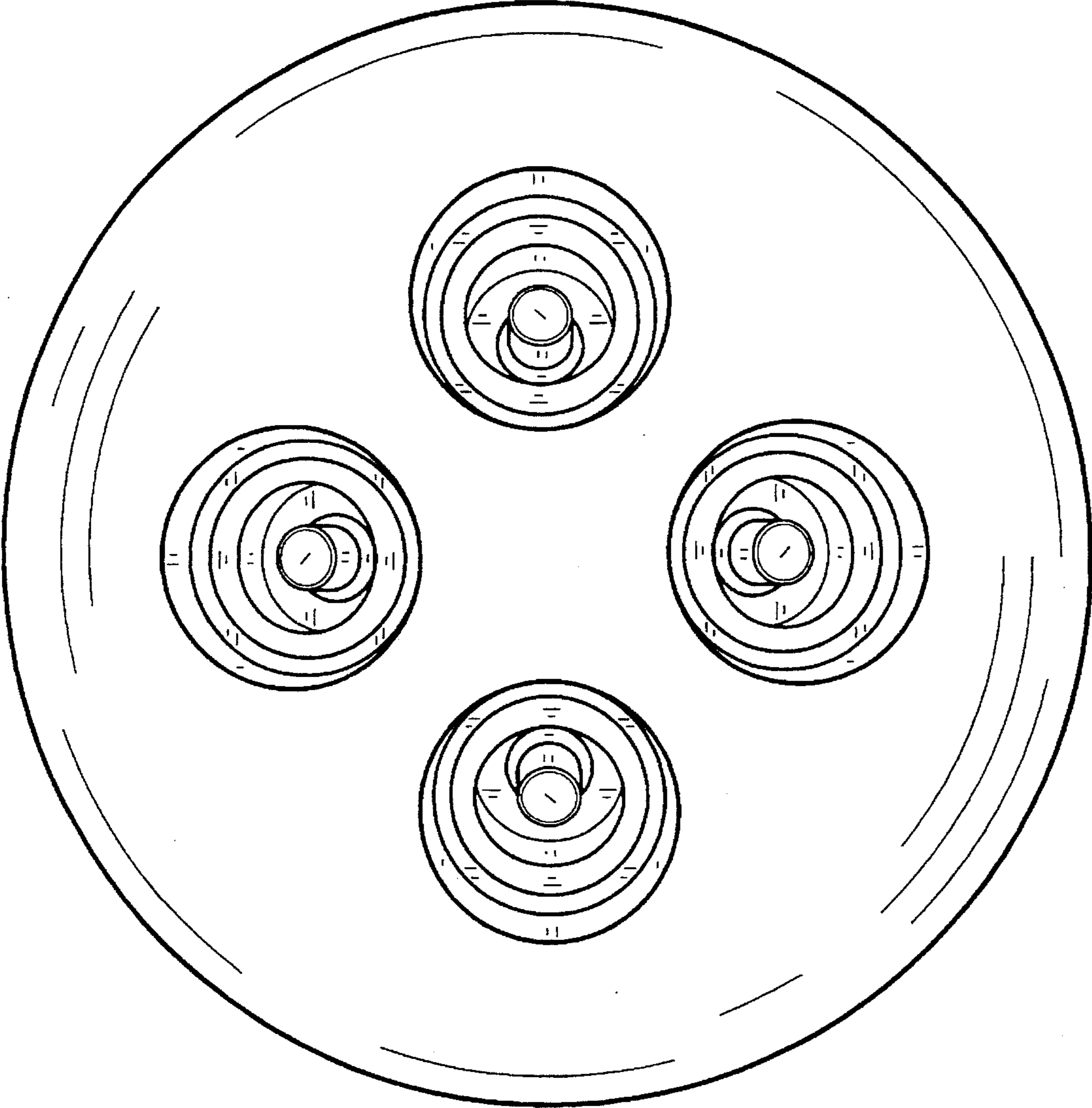


FIG. 1

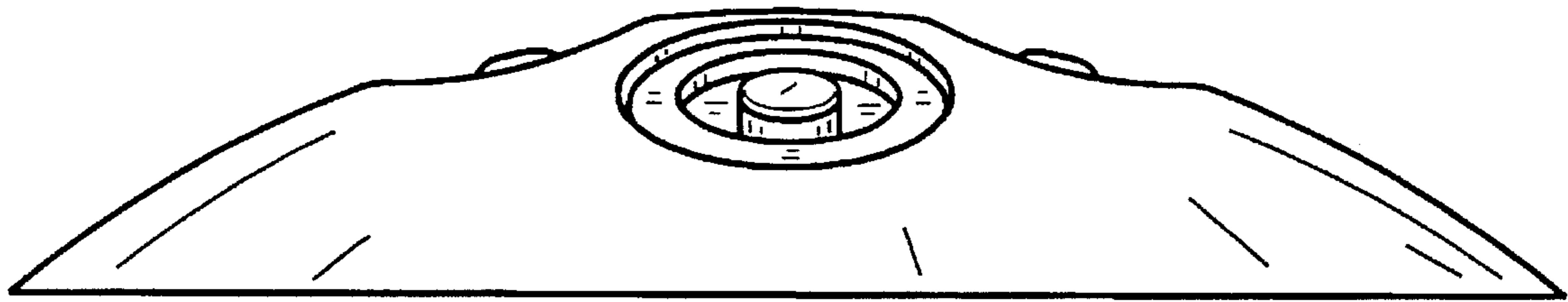


FIG. 2

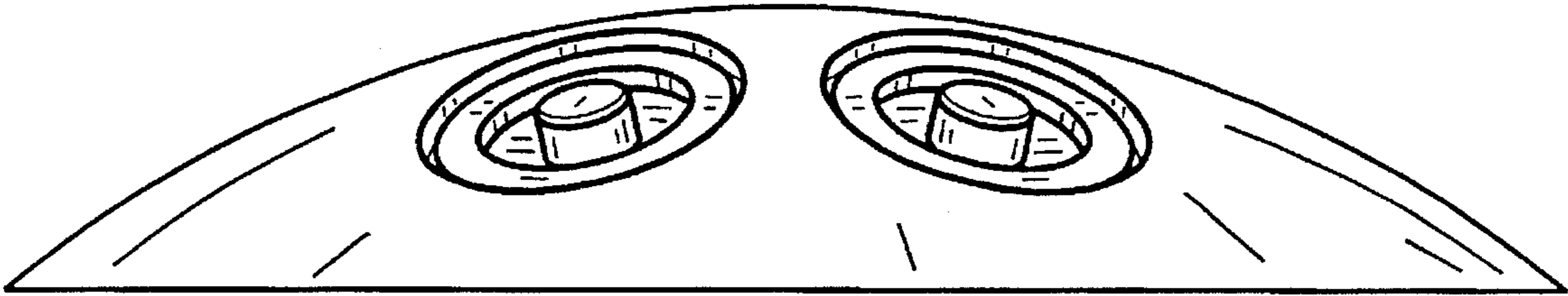


FIG. 3

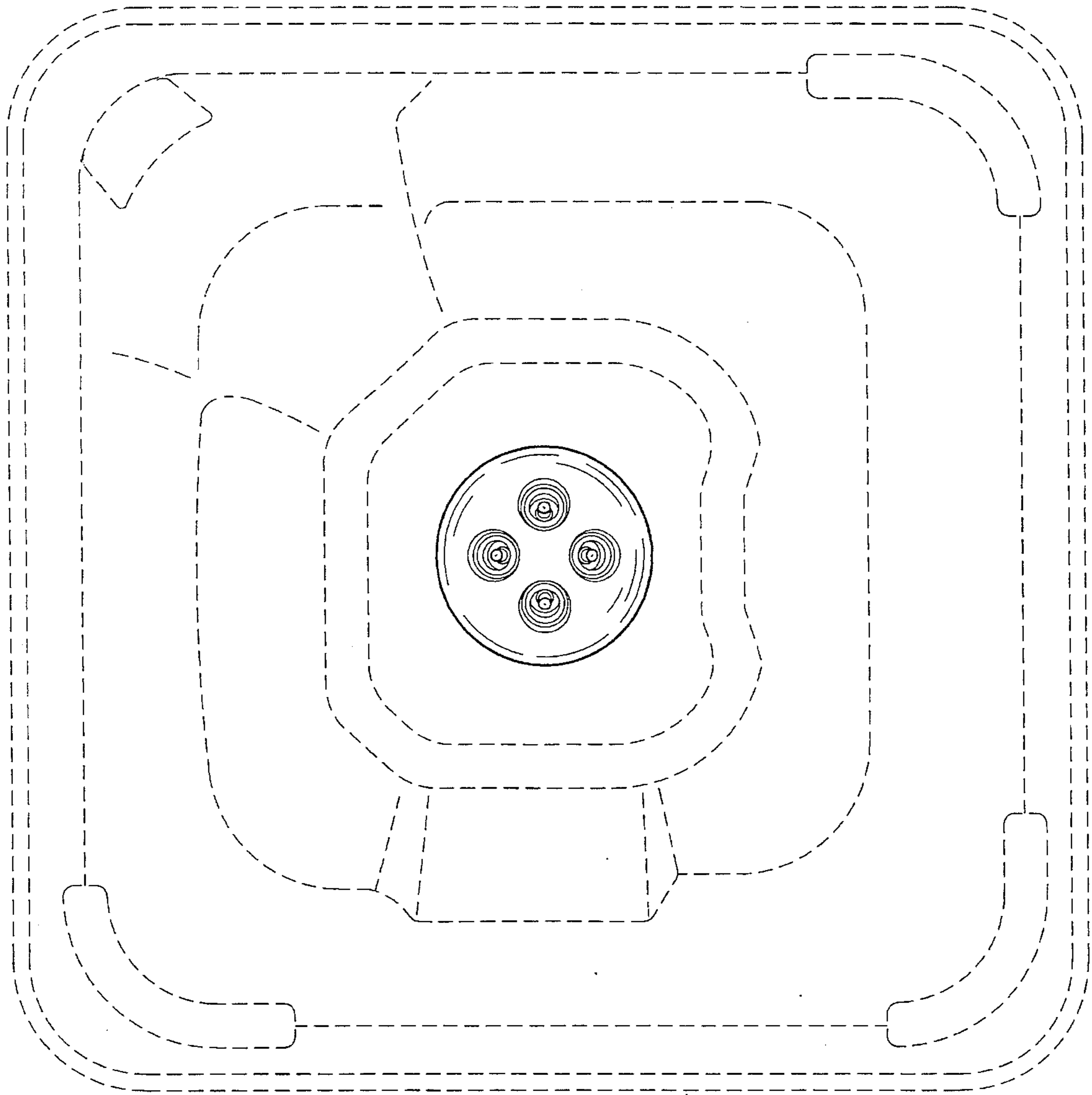


FIG. 4

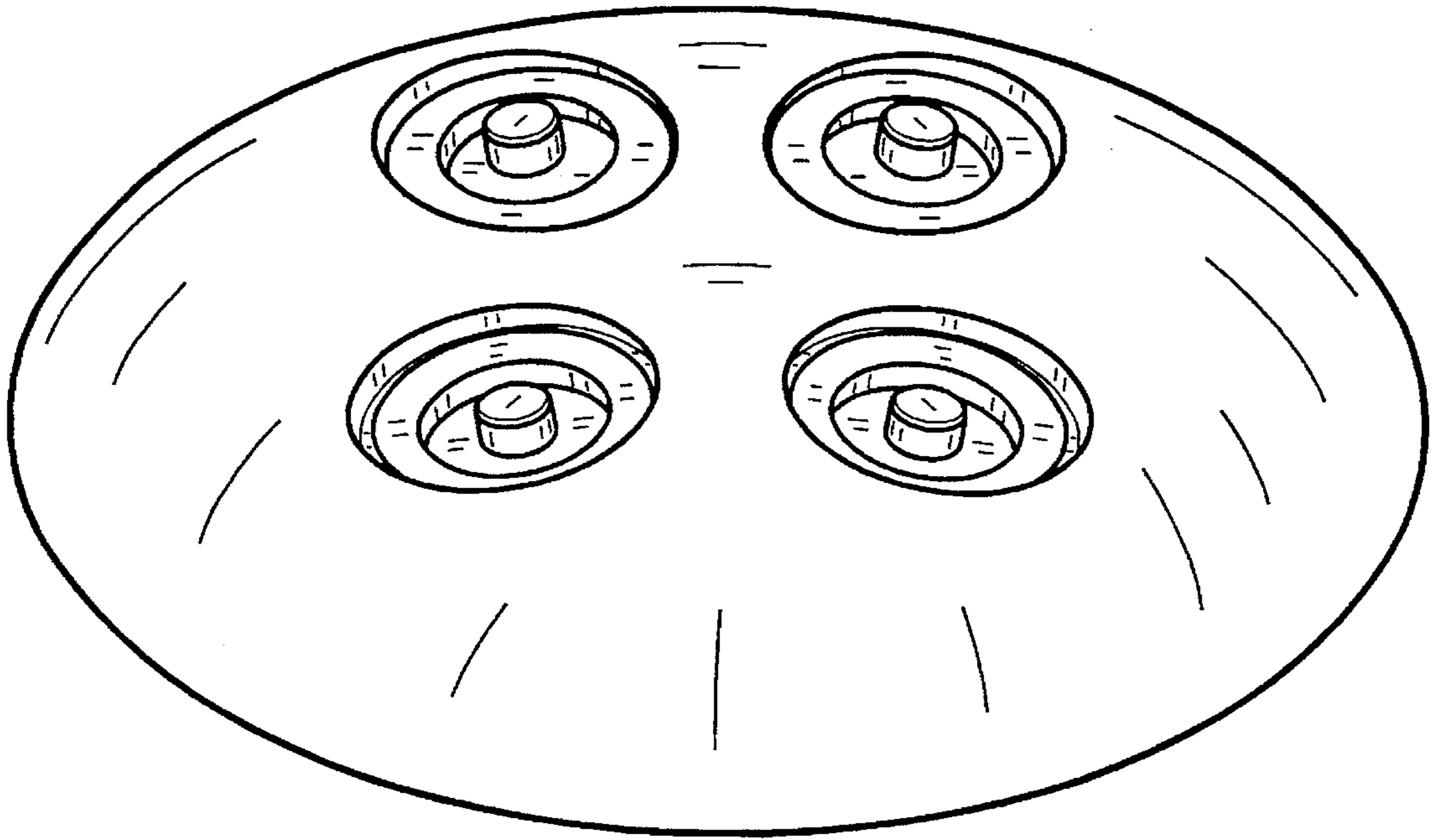


FIG. 5

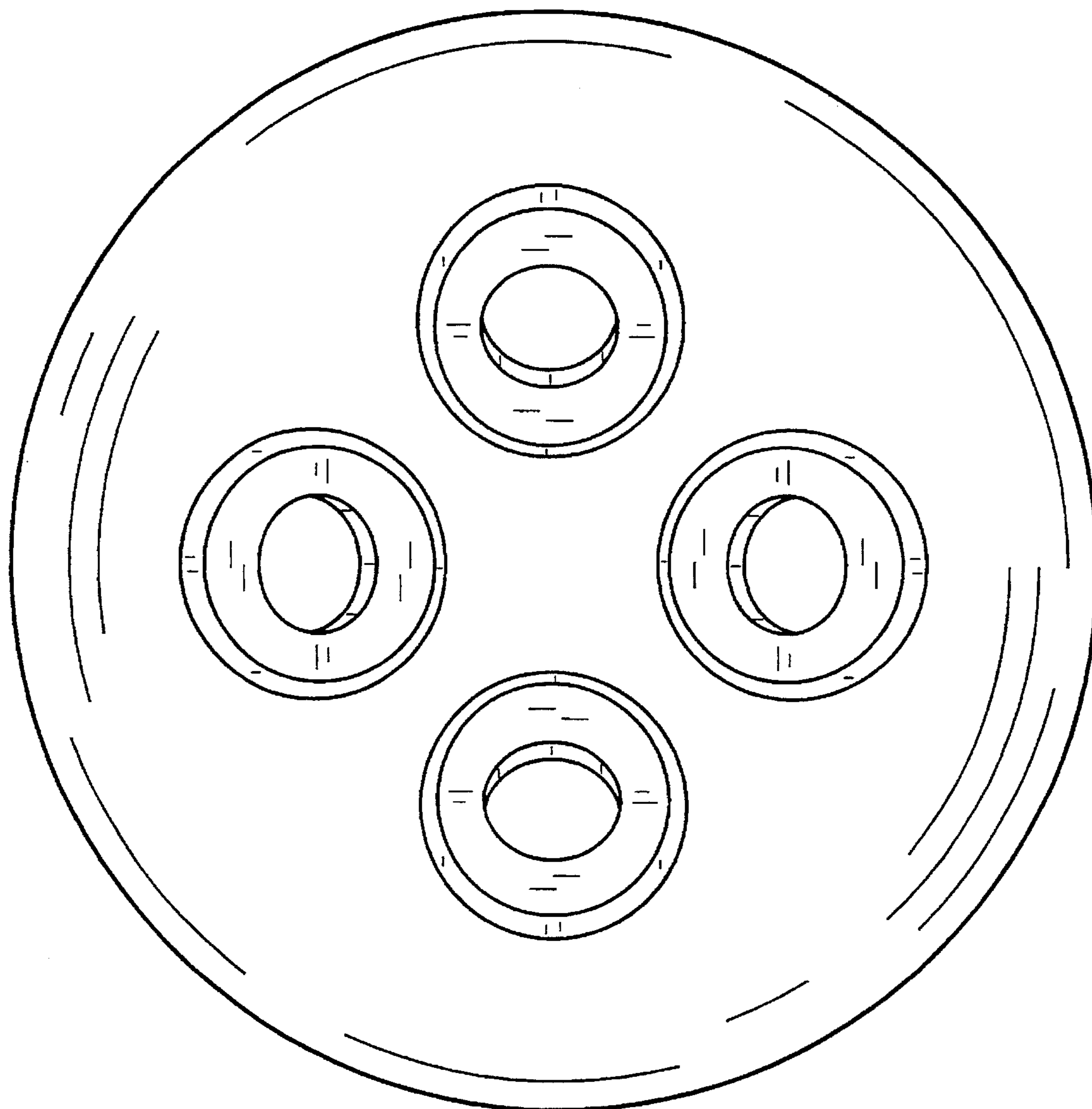


FIG. 6