



US00D375163S

United States Patent [19]

[11] Patent Number: **Des. 375,163**

Lipson et al.

[45] Date of Patent: ****Oct. 29, 1996**

[54] **PORTABLE UPPER LIMB SUPPORT**

1,904,363	4/1933	Ettinger	602/16
1,921,987	8/1933	Ettinger	602/16
5,000,168	3/1991	Lipson	602/20

[75] Inventors: **Walda B. Lipson**, White Plains; **Carl Yurdin**, Port Washington, both of N.Y.

[73] Assignee: **Equip For Independence, Inc.**, White Plains, N.Y.

Primary Examiner—Stella Reid
Attorney, Agent, or Firm—Dorsey & Whitney LLP

[**] Term: **14 Years**

[57] **CLAIM**

[21] Appl. No.: **30,707**

The ornamental design for a portable upper limb support, as shown and described.

[22] Filed: **Nov. 4, 1994**

DESCRIPTION

Related U.S. Application Data

[63] Continuation-in-part of Ser. No. 903,548, Jun. 23, 1992, Pat. No. Des. 361,383.

FIG. 1 is a left side elevation view thereof;
FIG. 2 is a right side elevation view thereof;
FIG. 3 is a top view thereof;
FIG. 4 is a back elevation view thereof;
FIG. 5 is a front elevation view thereof;
FIG. 6 is a bottom view thereof; and,
FIG. 7 is a perspective view thereof.

[52] U.S. Cl. **D24/183**

[58] Field of Search D24/183, 184;
128/845, 846; 602/16

[56] **References Cited**

U.S. PATENT DOCUMENTS

D. 361,383 8/1995 Lipson et al. D24/183

1 Claim, 4 Drawing Sheets

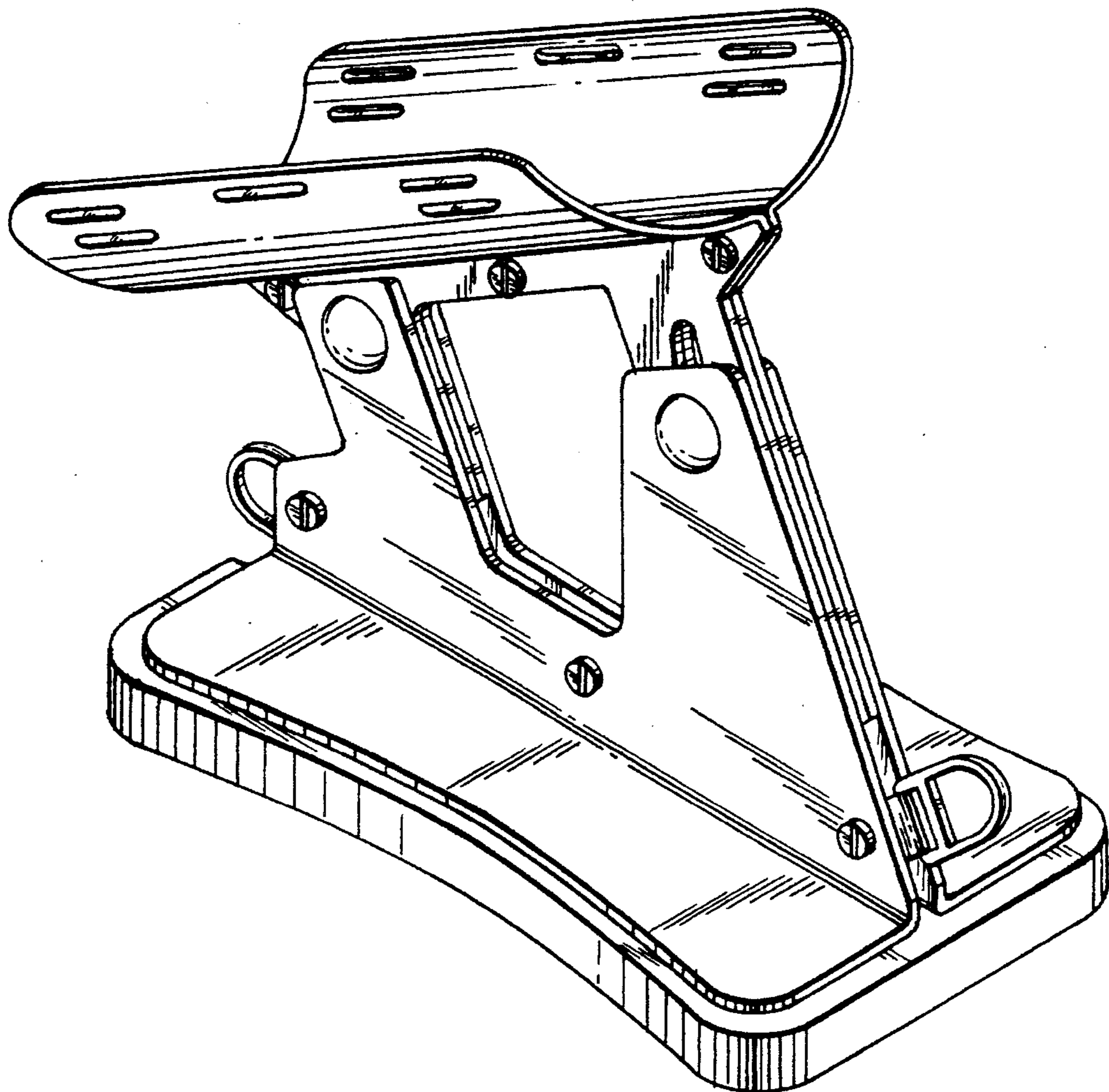


FIG. 1

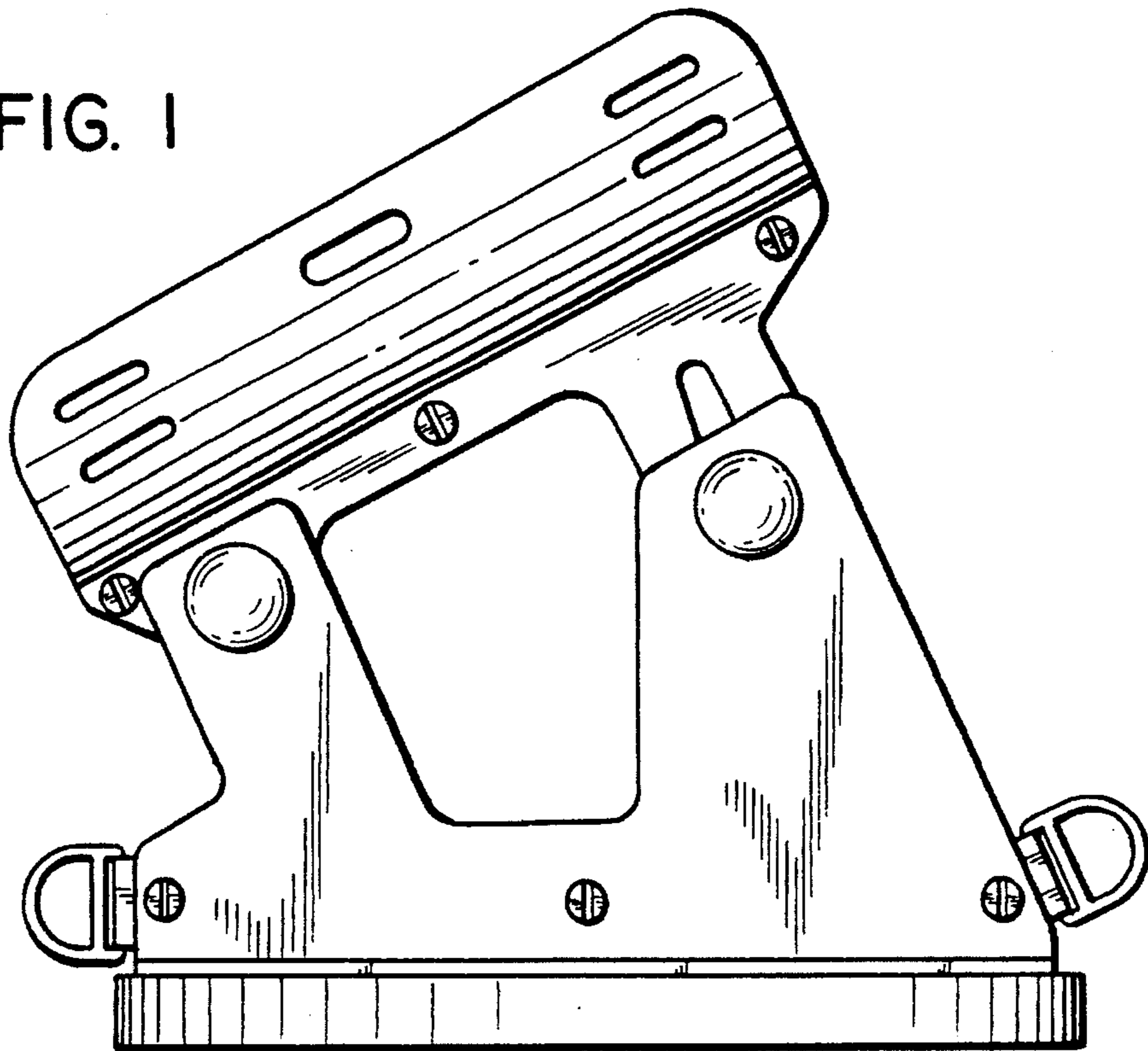
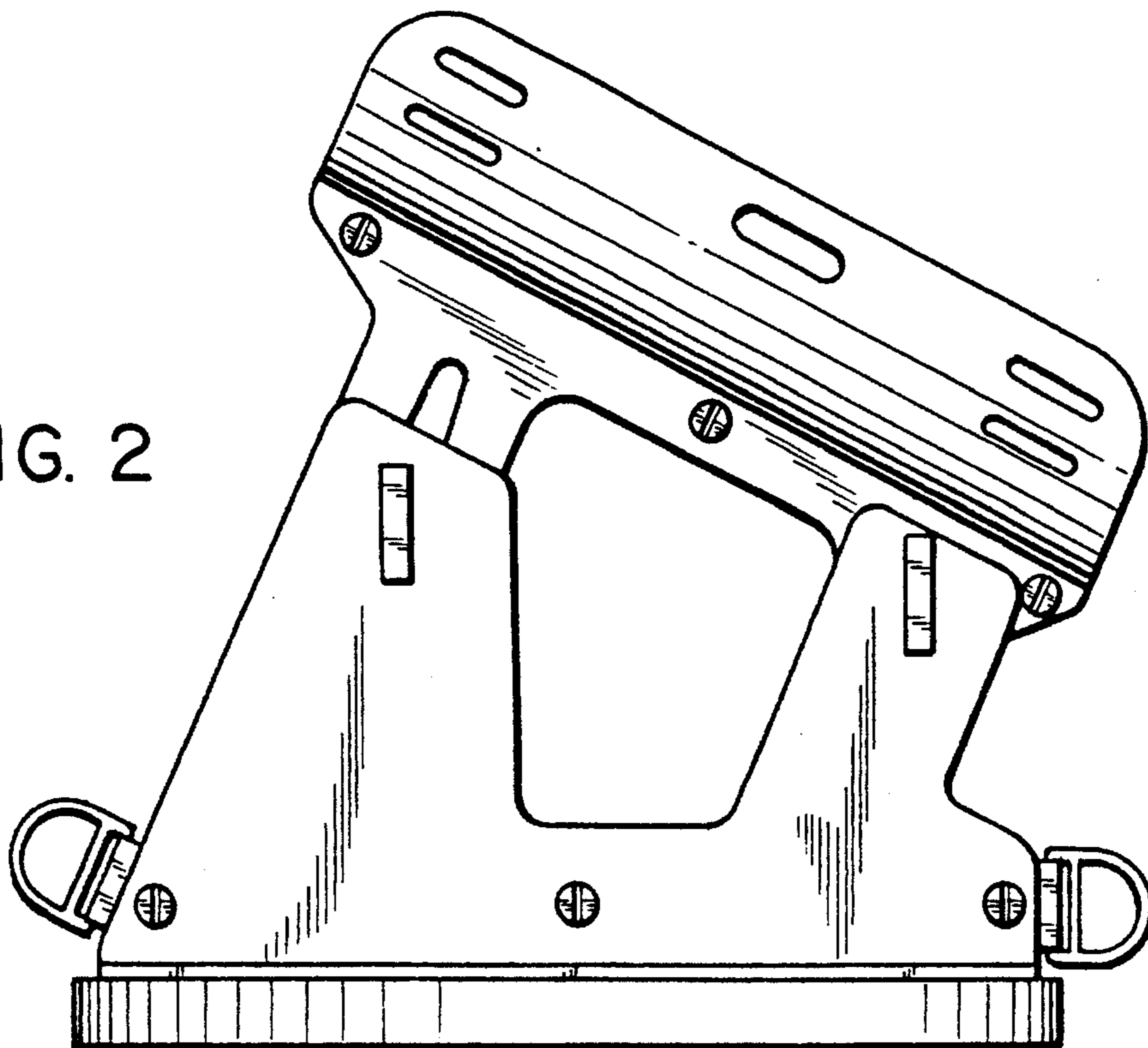


FIG. 2



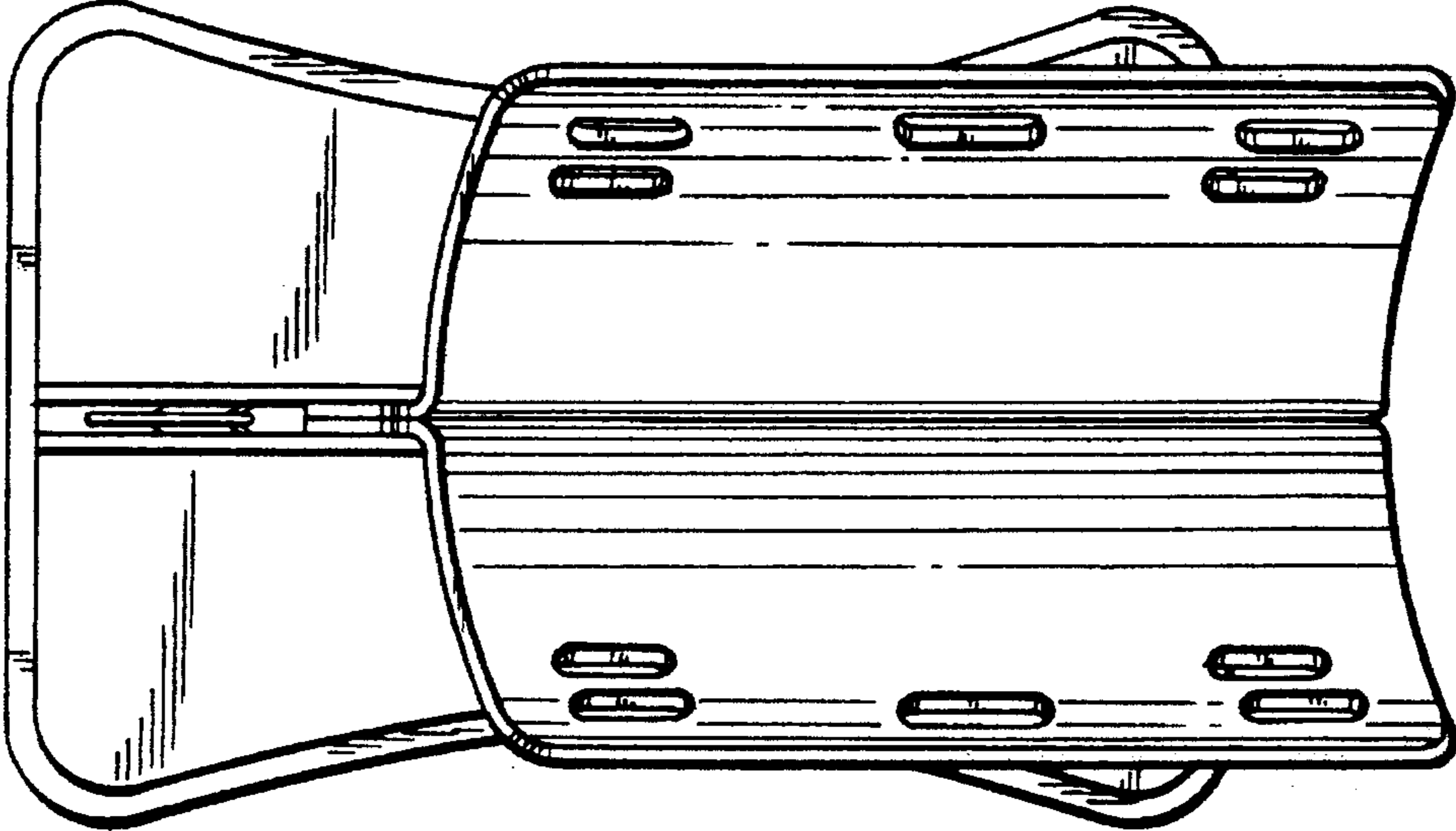


FIG. 3

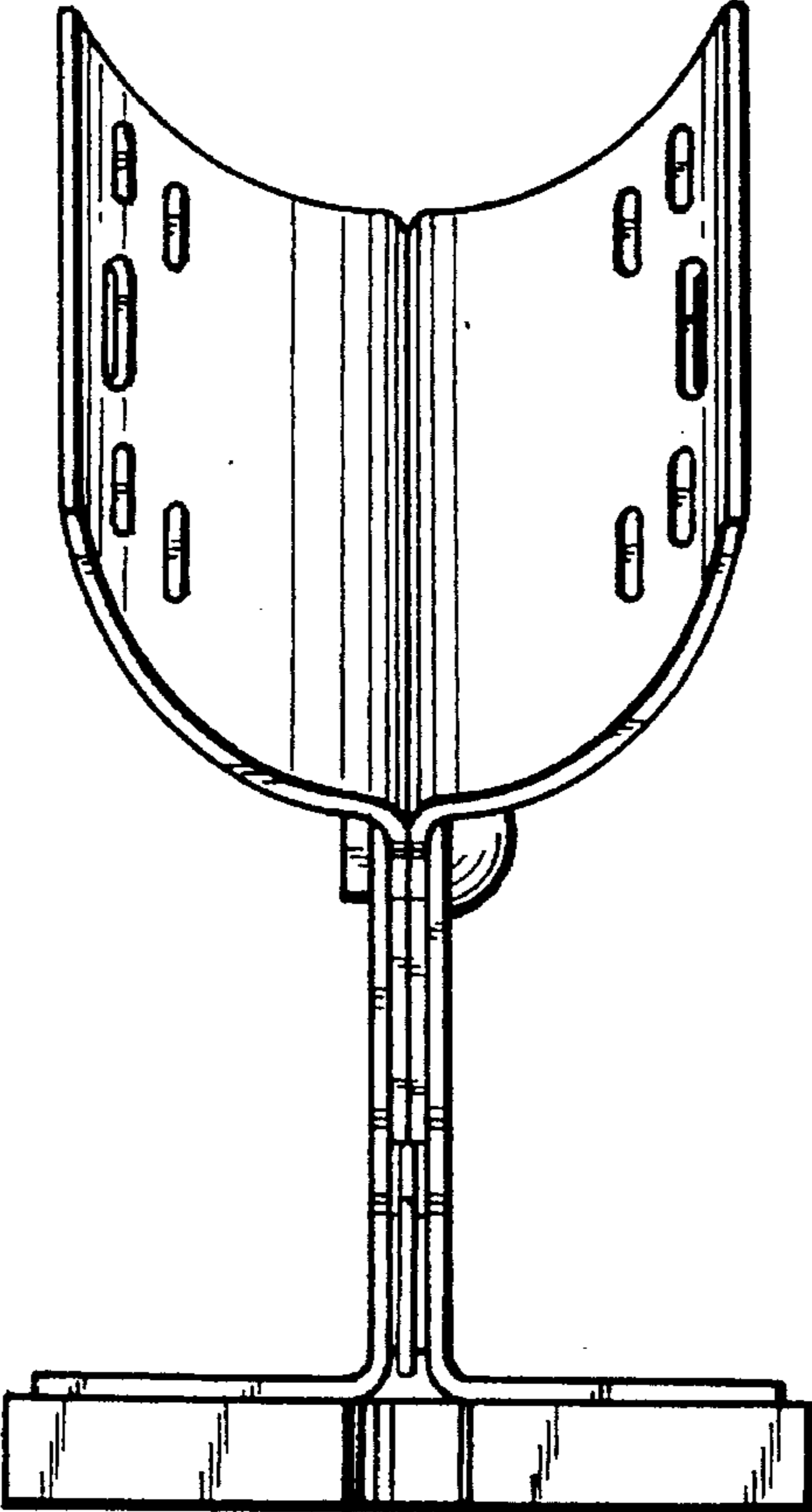


FIG. 4

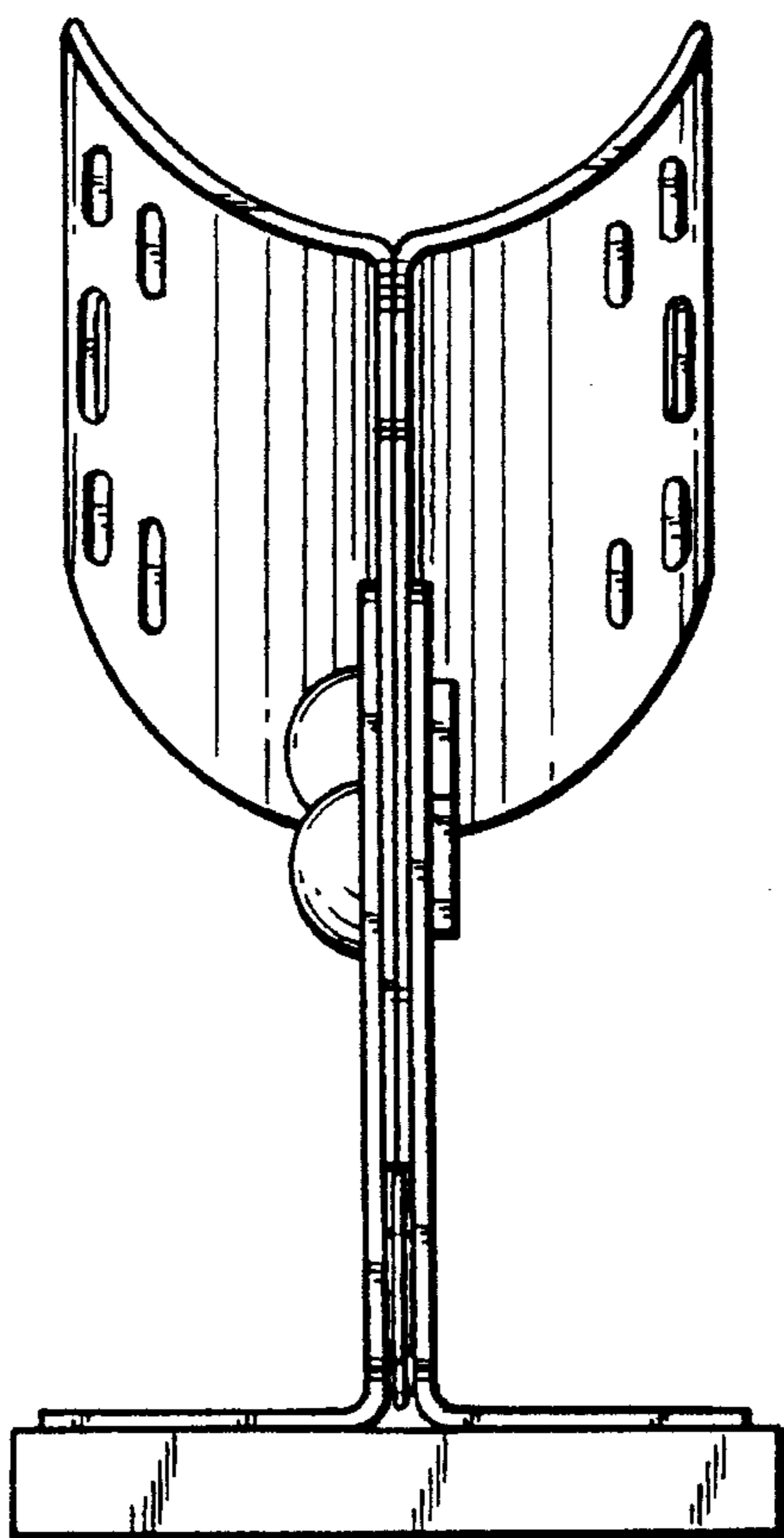


FIG. 5

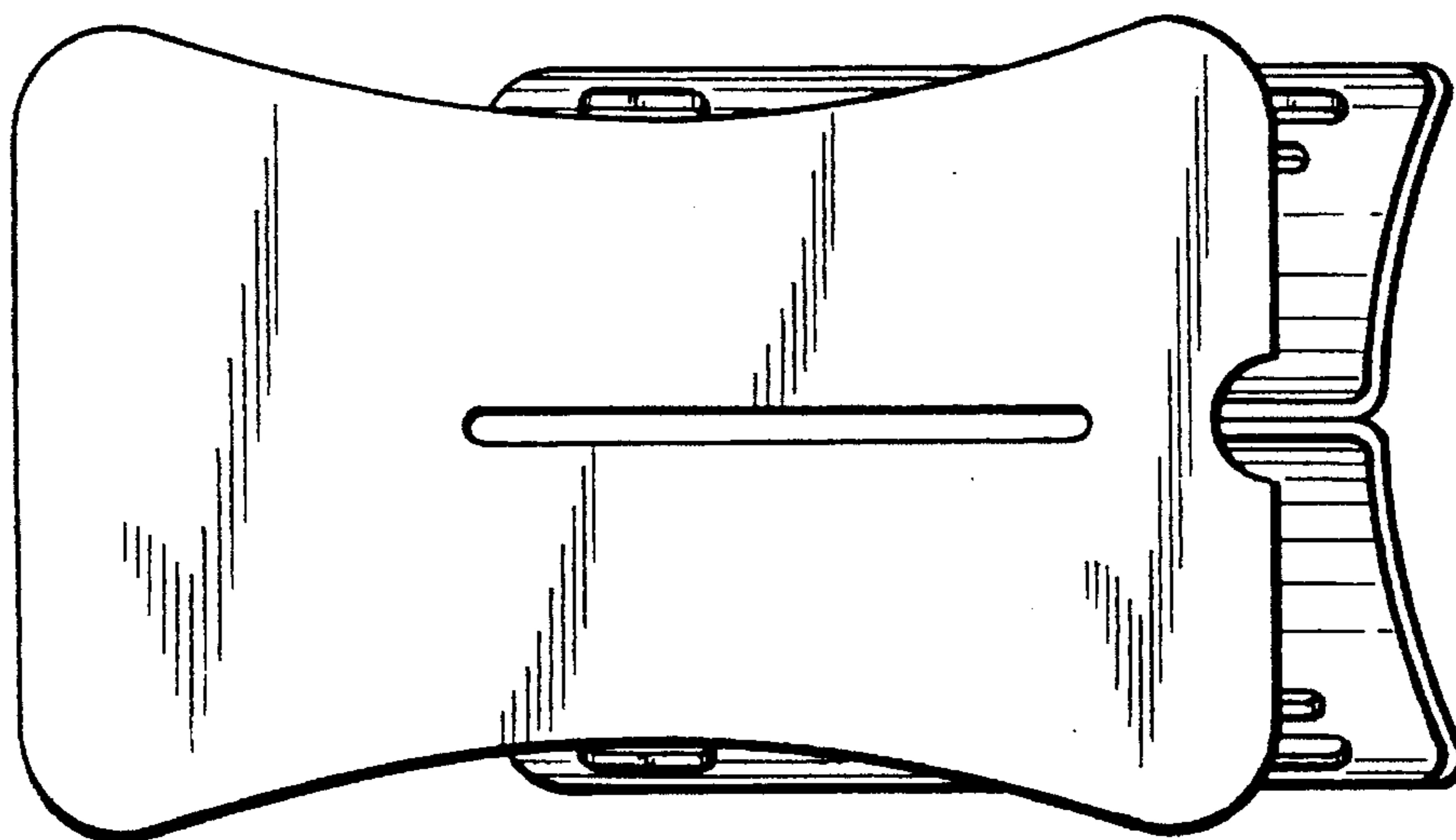


FIG. 6

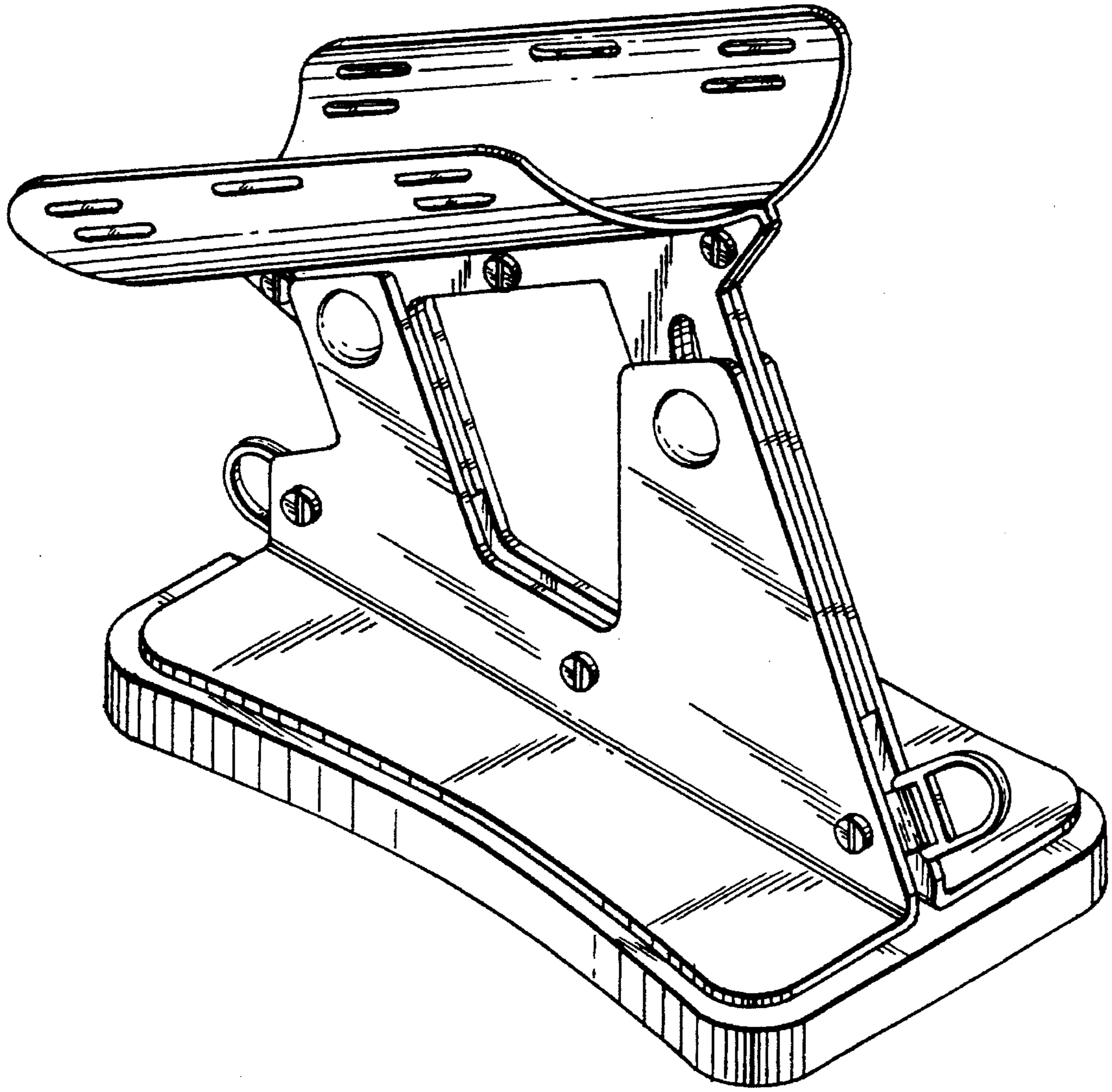


FIG. 7