



US00D375160S

United States Patent [19]

[11] Patent Number: **Des. 375,160**

Sampson et al.

[45] Date of Patent: ***** Oct. 29, 1996**

[54] TUBING CONNECTOR HANDLE

[76] Inventors: **Richard K. Sampson**, 3350 Eastbrook Dr., Fort Collins, Colo. 80521; **Bruce A. Williams**, 2025 Tunis Cir., Fort Collins, Colo. 80526

[*] Notice: The portion of the term of this patent subsequent to Sep. 14, 2007, has been disclaimed.

[**] Term: **14 Years**

[21] Appl. No.: **12,795**

[22] Filed: **Sep. 10, 1993**

Related U.S. Application Data

[63] Continuation-in-part of Ser. No. 470,931, Jan. 26, 1990, Pat. No. Des. 339,417.

[52] U.S. Cl. **D24/129; D23/262**

[58] Field of Search D24/129, 118, D24/117; 604/240, 280, 905, 403; 285/38, 239, 332; D23/262

[56] References Cited

U.S. PATENT DOCUMENTS

D. 209,166	11/1967	Hunt	D23/262
D. 252,470	7/1979	Pawlak	D24/129
D. 255,145	5/1980	Nederman	D23/1
D. 258,526	3/1981	Nederman	D23/1
D. 259,278	5/1981	McCaw et al.	D24/99
D. 282,962	3/1986	Gerber	D23/43
D. 313,067	12/1990	Kotake et al.	D23/262
D. 313,277	12/1990	Haining	D24/53
D. 326,155	5/1992	Boehringer et al.	D24/129
D. 333,178	2/1993	Novy	D23/262

D. 339,417	9/1993	Sampson et al.	D24/129
4,296,949	10/1981	Maertteries et al.	285/332 X
4,346,703	8/1982	Dennehy et al.	128/213 A
4,397,442	8/1983	Larkin	D24/129 X
4,439,188	3/1984	Dennehy et al.	604/283
4,903,995	2/1990	Blenkush et al.	285/38

OTHER PUBLICATIONS

Instrument Quality Fittings, 1992 OEM Catalog and Price List #CAT14, pp. 9, 11, 14, 15, and 16, Mar. 1992.

Colder Products Company, "Softube Fittings", item Male Straight, p. 3, Aug. 1991.

Primary Examiner—Louis S. Zarfes

Assistant Examiner—J. Simmons

Attorney, Agent, or Firm—Luke Santangelo

[57] CLAIM

The ornamental design for a tubing connector handle, as shown and described.

DESCRIPTION

FIG. 1 is a perspective view of a tubing connector handle showing our new design;

FIG. 2 is a front elevational view thereof;

FIG. 3 is a rear elevational view thereof;

FIG. 4 is a left side elevational view thereof;

FIG. 5 is a right side elevational view thereof;

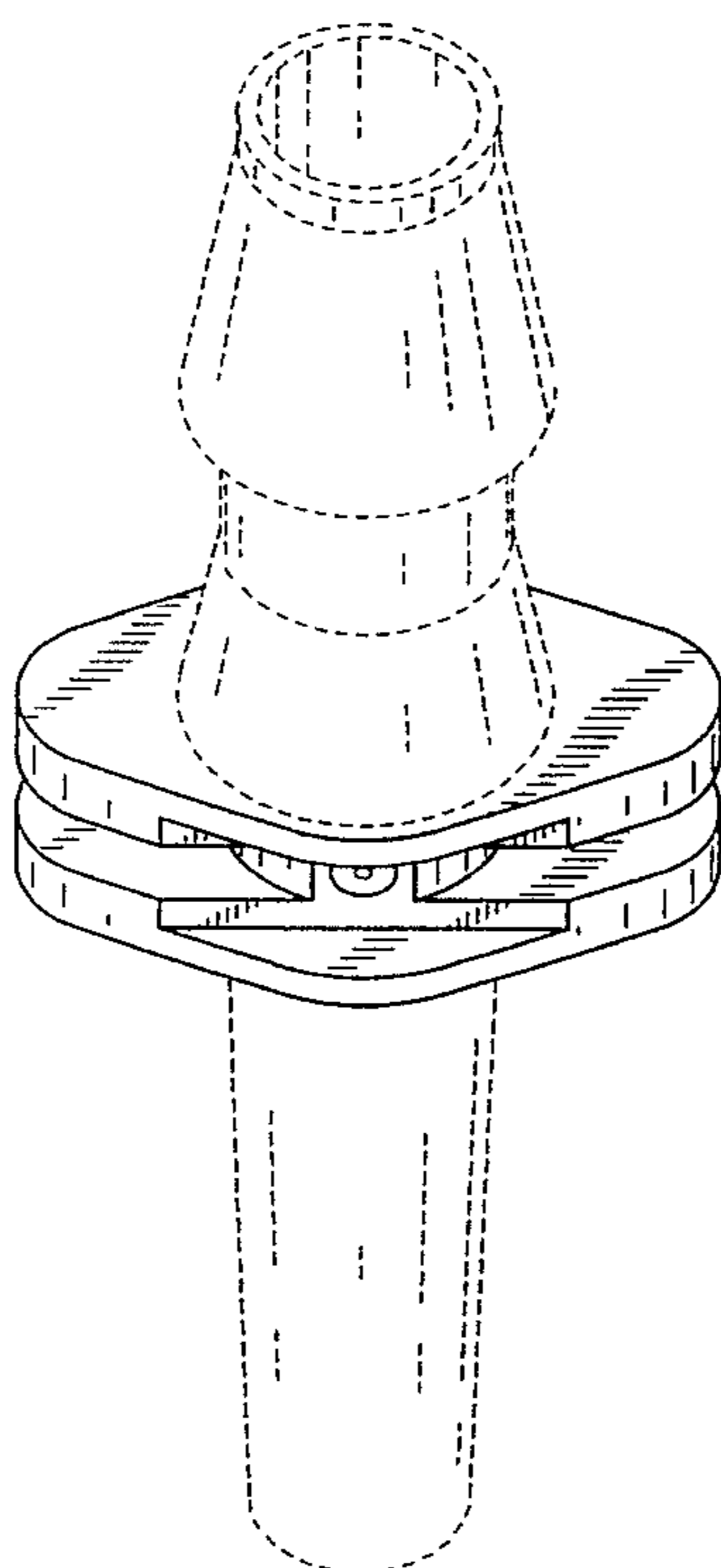
FIG. 6 is a top plan view thereof;

FIG. 7 is a bottom plan view thereof; and,

FIG. 8 is a cross-section view taken along the line 8—8 of FIG. 6.

The broken line showing in FIGS. 1 through 5 and 8 are for illustrative purposes only and forms no part of the claimed design.

1 Claim, 4 Drawing Sheets



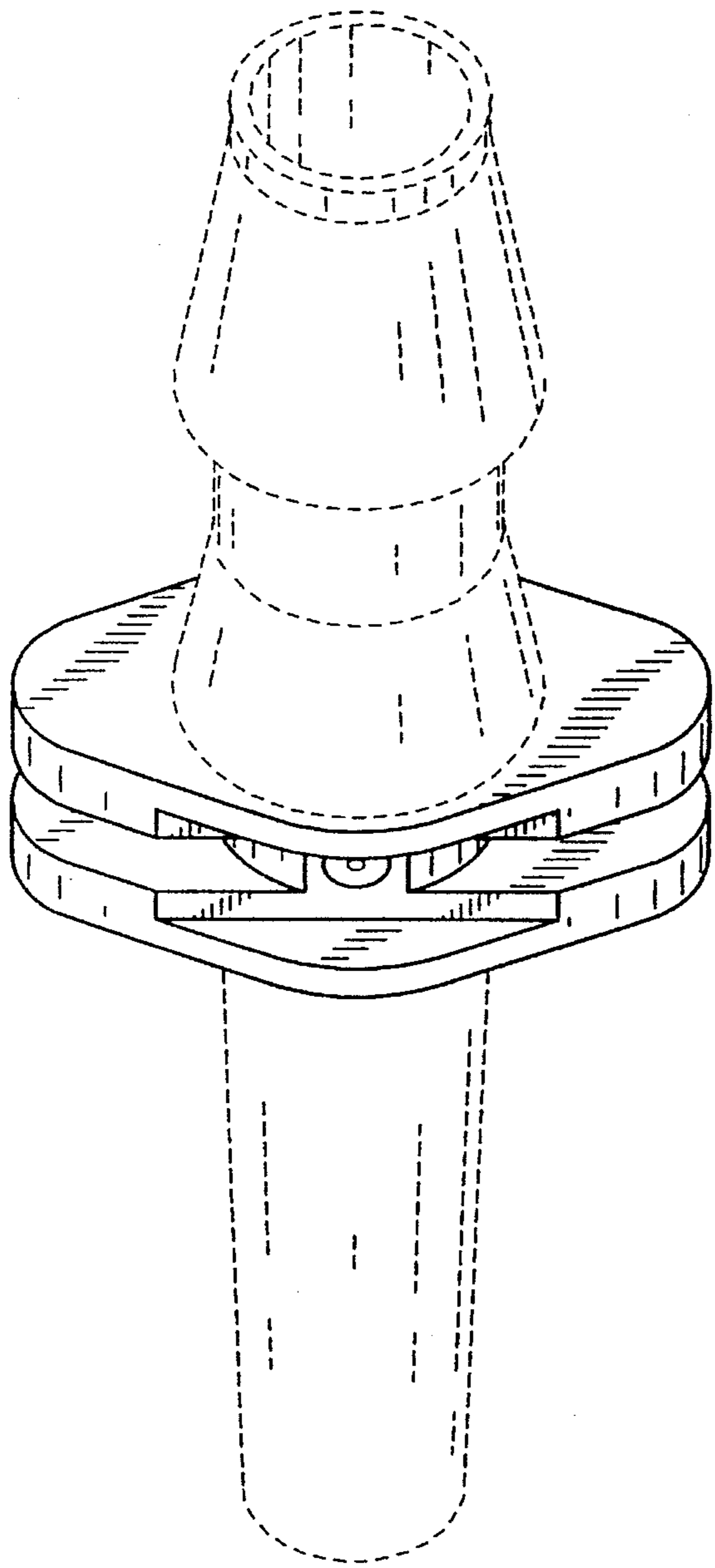


Fig. 1

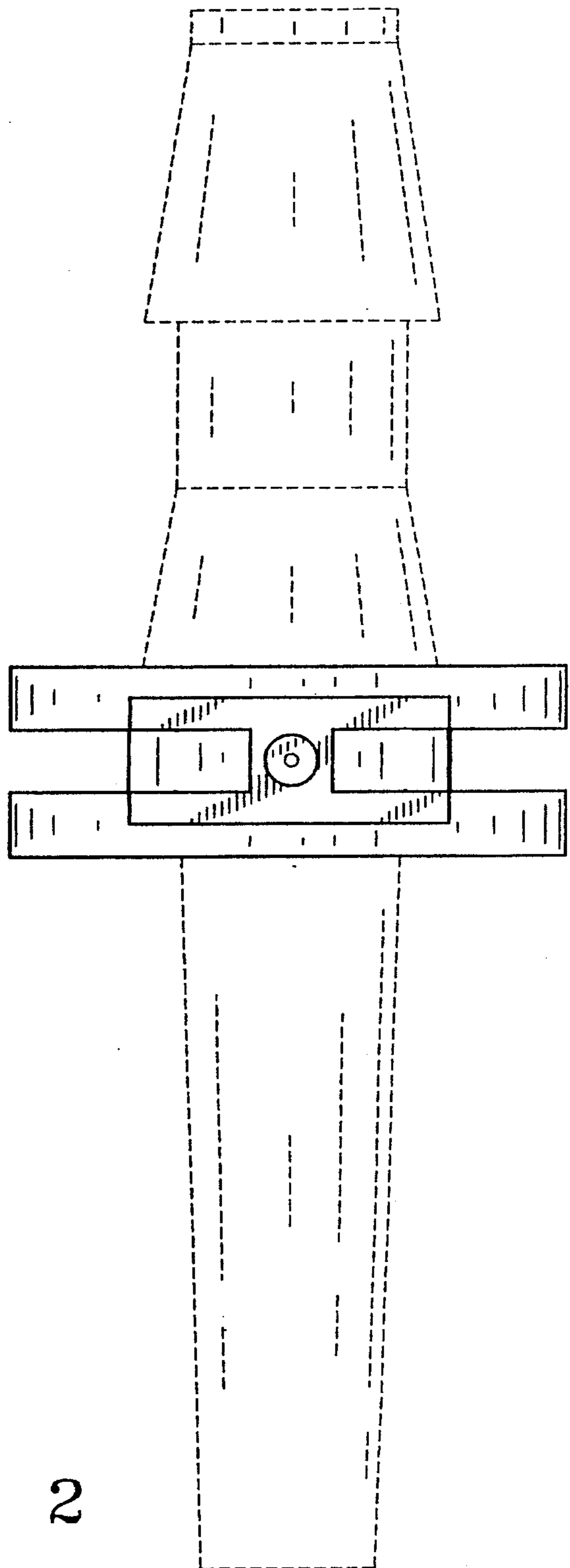


Fig. 2

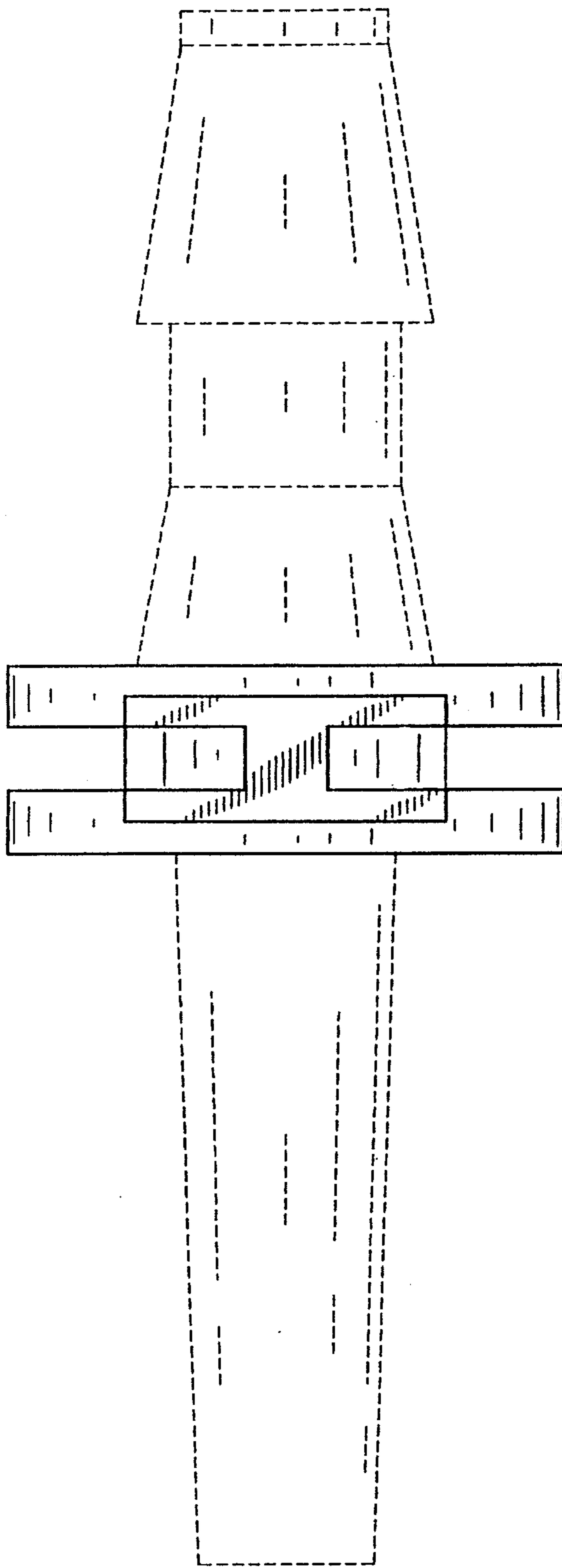


Fig. 3

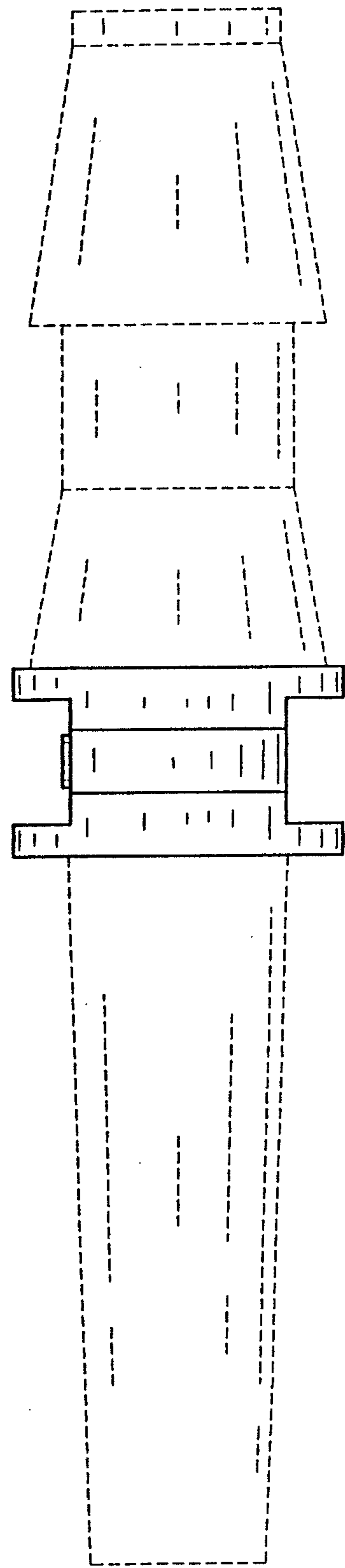


Fig. 4

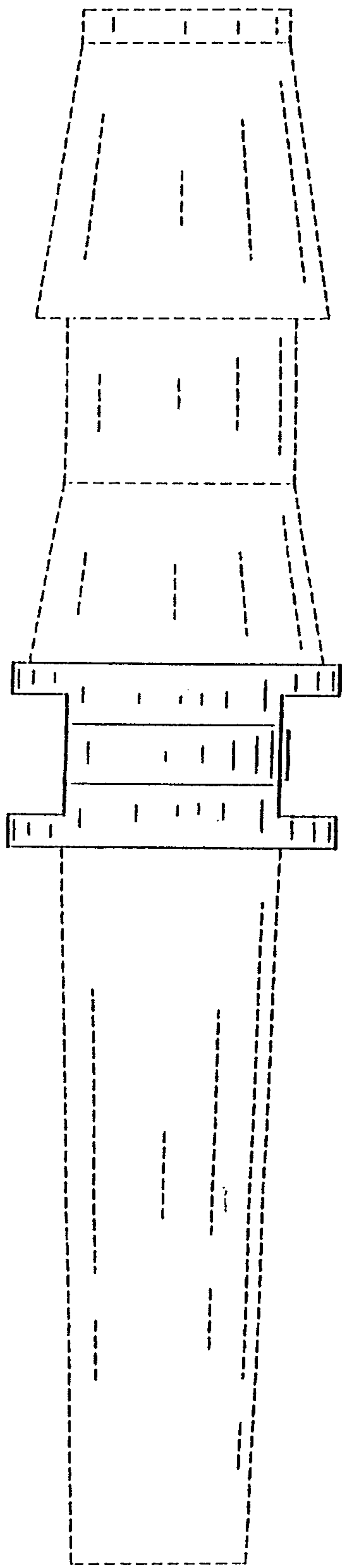


Fig. 5

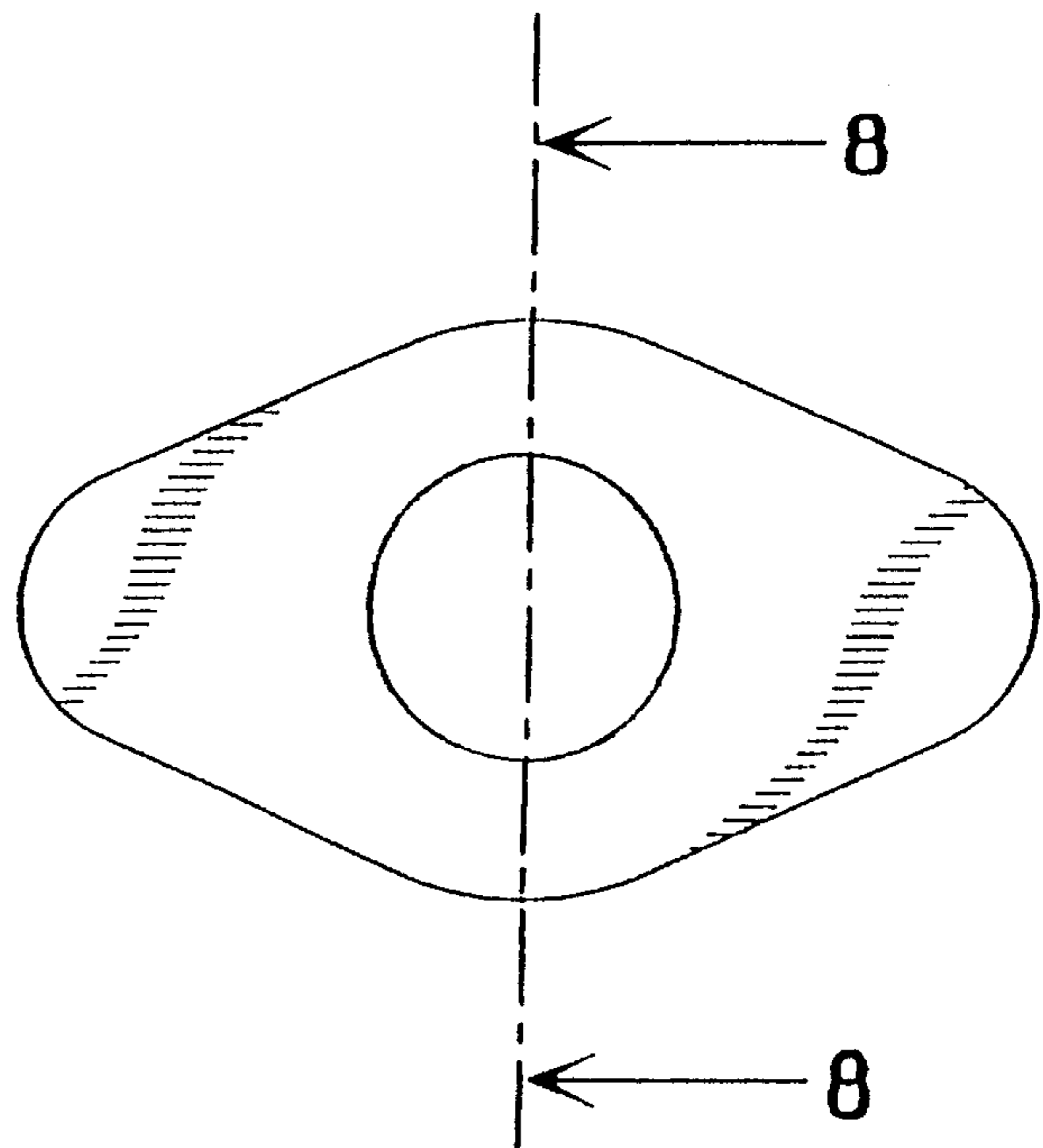


Fig. 6

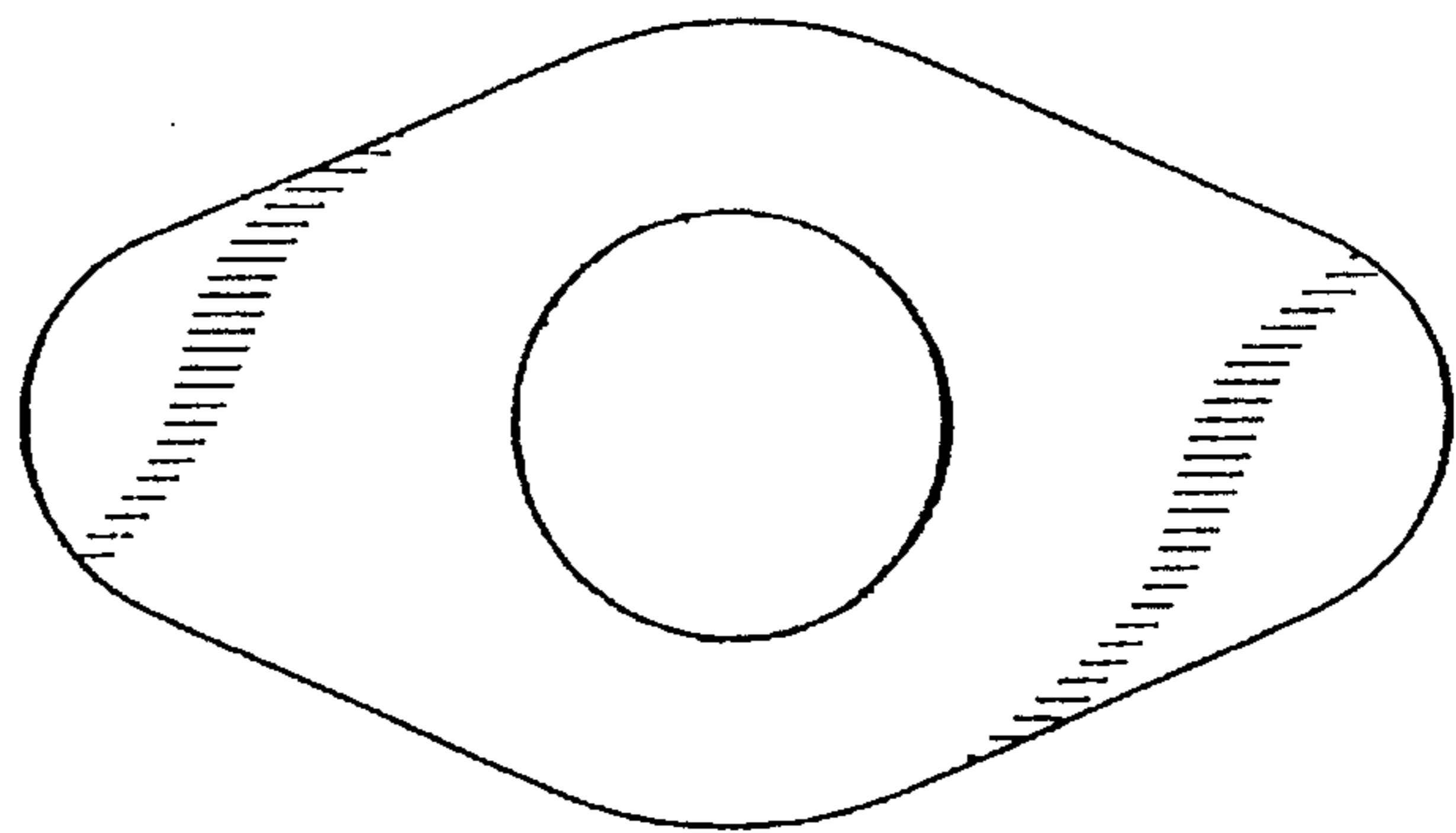


Fig. 7

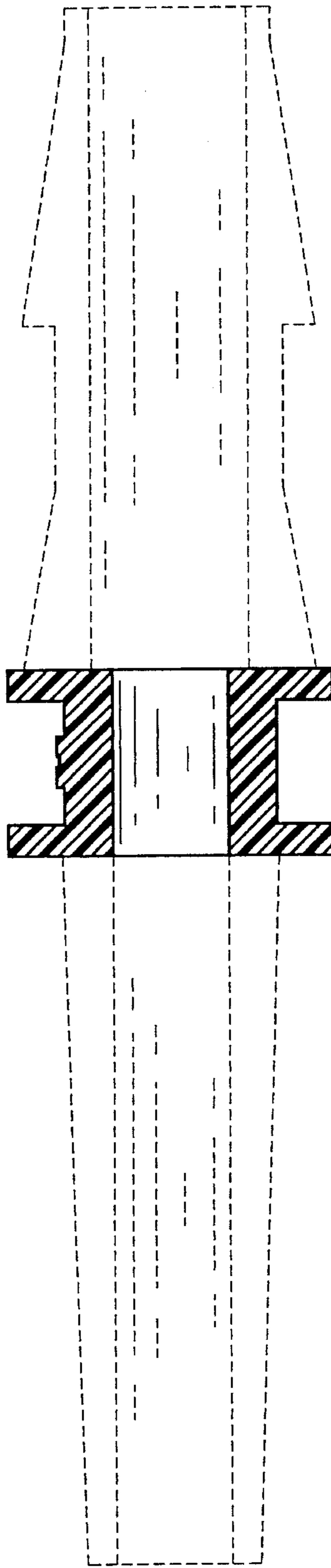


Fig. 8